



US00D980364S

(12) **United States Design Patent** (10) **Patent No.:** **US D980,364 S**
Peng (45) **Date of Patent:** **** Mar. 7, 2023**

(54) **INFLATABLE PADDLE BOARD**

FOREIGN PATENT DOCUMENTS

(71) Applicant: **Yixi Peng**, Guangzhou (CN)

CN 202030693121.5 * 8/2021

(72) Inventor: **Yixi Peng**, Guangzhou (CN)

CN 202130569158.1 * 12/2021

(**) Term: **15 Years**

CN 202230025309.1 1 * 4/2022

(21) Appl. No.: **29/763,557**

OTHER PUBLICATIONS

(22) Filed: **Dec. 23, 2020**

Amazon Website, Serene Life Inflatable Stand Up Paddle Board, Earliest available date: May 19, 2017, [Website Visited on Jul. 7, 2022], Available on the internet URL <https://www.amazon.com/SereneLife-Inflatable-Universal-Paddling-Non-Slip/dp/B072BZ74VK/> (Year: 2017).*

(51) **LOC (14) Cl.** **21-02**

(52) **U.S. Cl.**

USPC **D21/769**; D21/801

(58) **Field of Classification Search**

USPC D21/769, 770, 801, 542, 803; D12/301, D12/307

CPC B63B 32/00; B63B 32/20; B63B 32/40; B63B 32/50; B63B 34/00

See application file for complete search history.

Amazon Website, Roc Paddle Boards Inflatable Premium Paddleboard, Earliest available date: Feb. 21, 2019, [Website Visited on Jul. 7, 2022], Available on the internet URL <https://www.amazon.com/Roc-Inflatable-Paddle-Premium-Accessories/dp/B07ZJWGSFG/> (Year: 2019).*

* cited by examiner

(56) **References Cited**

U.S. PATENT DOCUMENTS

D637,251 S * 5/2011 Bradley D21/769
8,834,220 B2 * 9/2014 Haller B63B 32/60

441/74

D822,778 S * 7/2018 Strange D21/769

D912,750 S * 3/2021 Hopkins D21/769

D912,751 S * 3/2021 Hopkins D21/769

D912,752 S * 3/2021 Hopkins D21/769

D913,391 S * 3/2021 Hopkins B32B 7/08

D21/769

D949,994 S * 4/2022 Hembert D21/769

D954,882 S * 6/2022 Guo D21/769

2014/0080369 A1 * 3/2014 Haller B63B 32/51

441/66

2014/0242860 A1 * 8/2014 Hoge, Jr. B63B 32/51

441/66

2022/0081077 A1 * 3/2022 Huang B63B 32/51

Primary Examiner — S. Bryan Reinholdt, Jr.

Assistant Examiner — James T. Tyree

(74) *Attorney, Agent, or Firm* — Xiaofgang Zhong

(57) **CLAIM**

The ornamental design for an inflatable paddle board, as shown and described.

DESCRIPTION

FIG. 1 is a perspective view of an inflatable paddle board showing my new design;

FIG. 2 is a right-side elevational view thereof;

FIG. 3 is a left-side elevational view thereof;

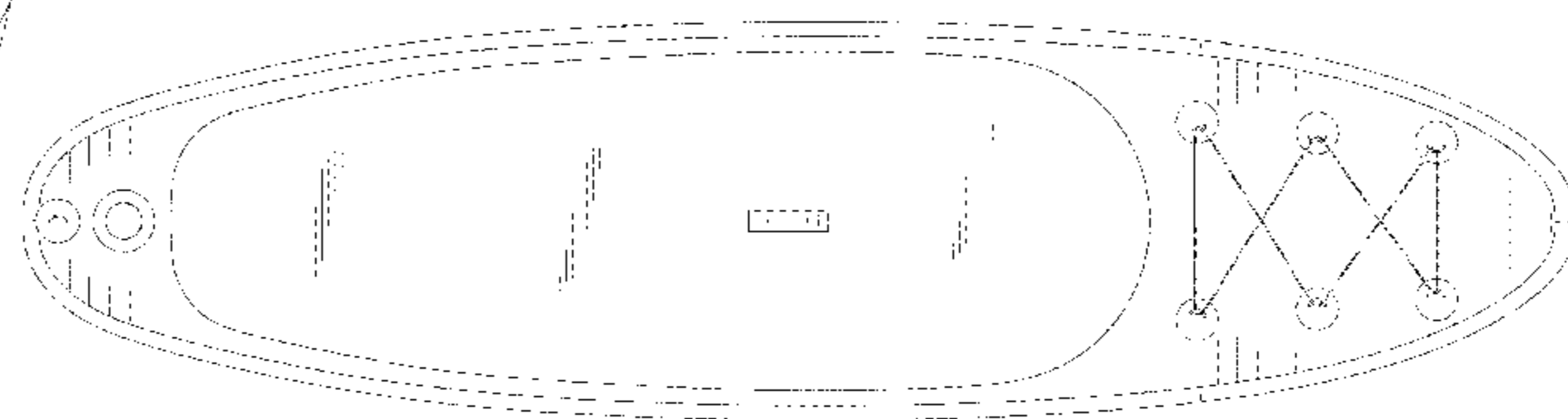
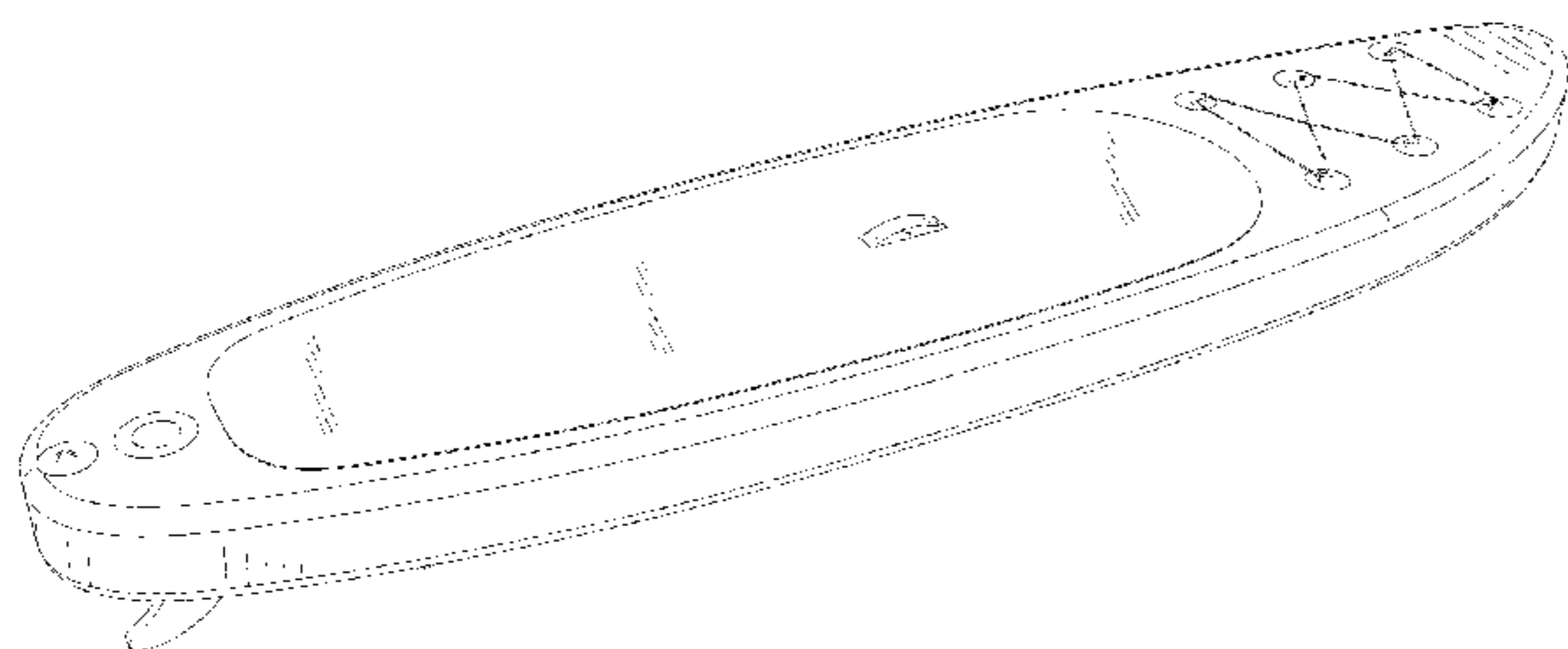
FIG. 4 is a front elevational view thereof;

FIG. 5 is a back elevational view thereof;

FIG. 6 is a top plan view thereof; and,

FIG. 7 is a bottom plan view thereof.

1 Claim, 5 Drawing Sheets



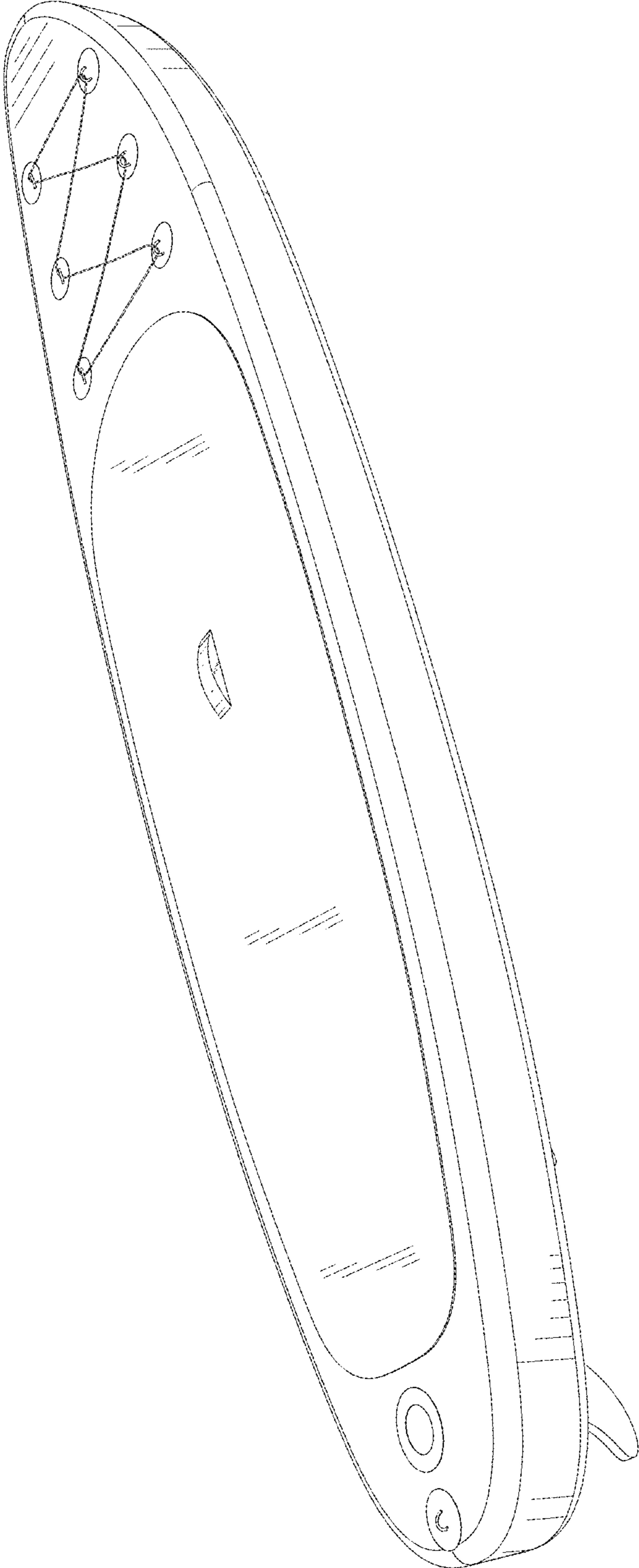


FIG. 1

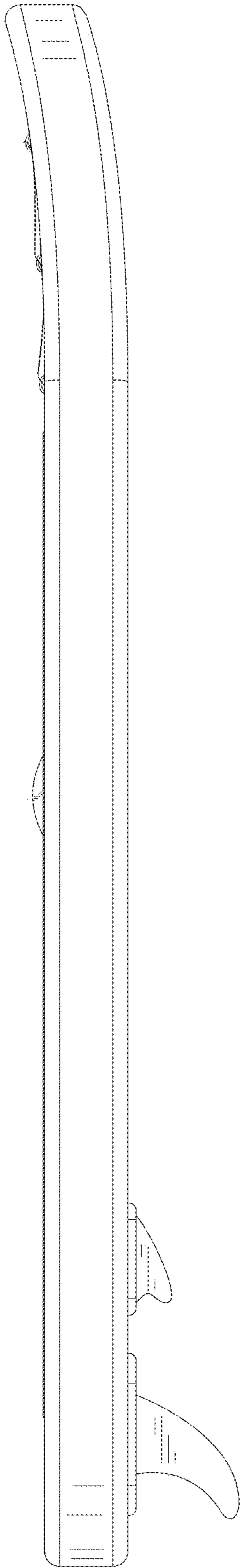


FIG. 2

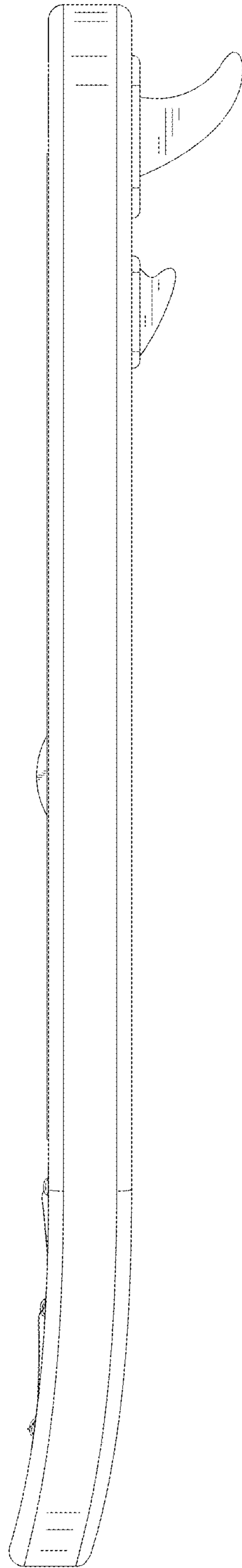


FIG. 3

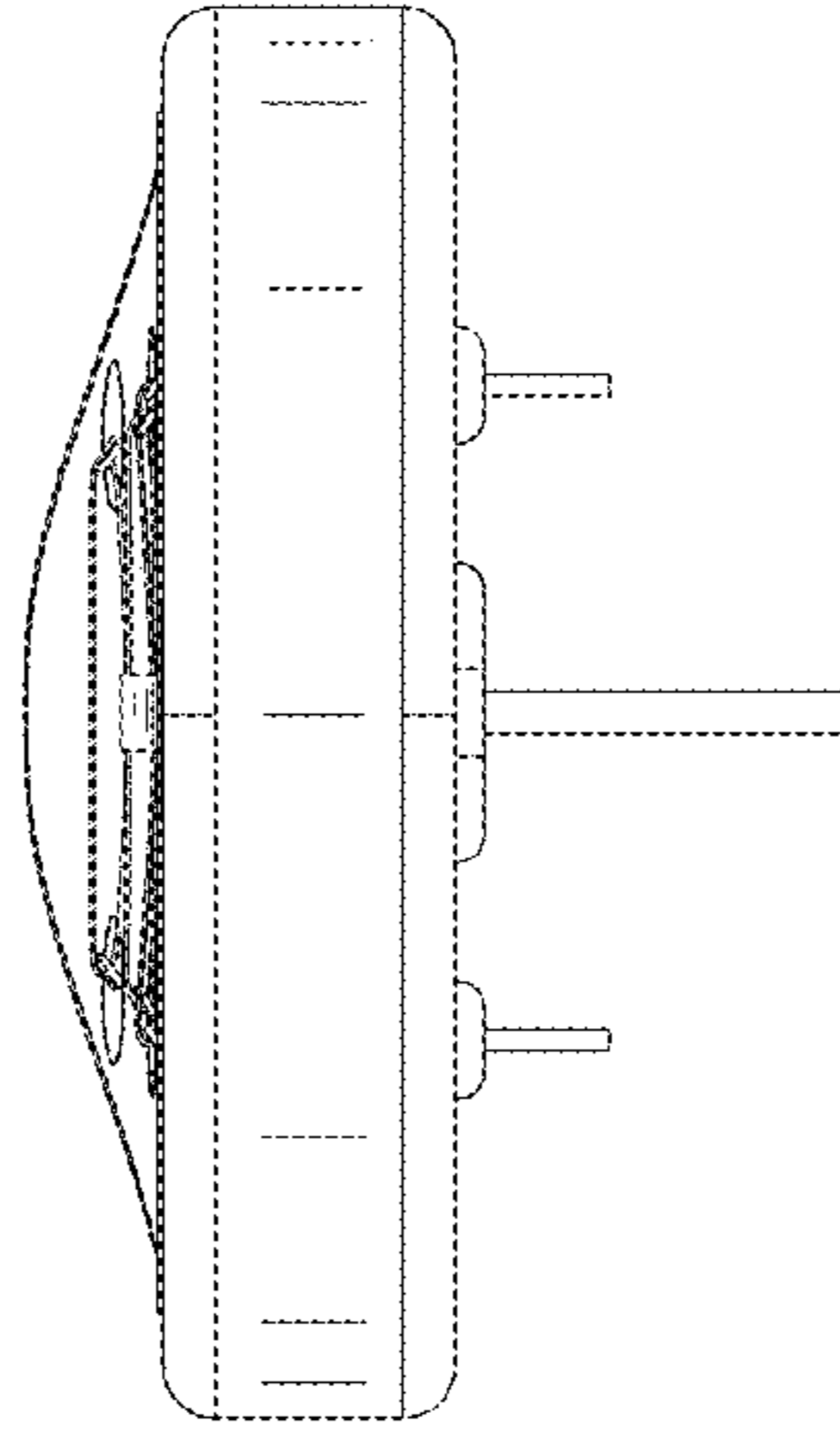


FIG. 4

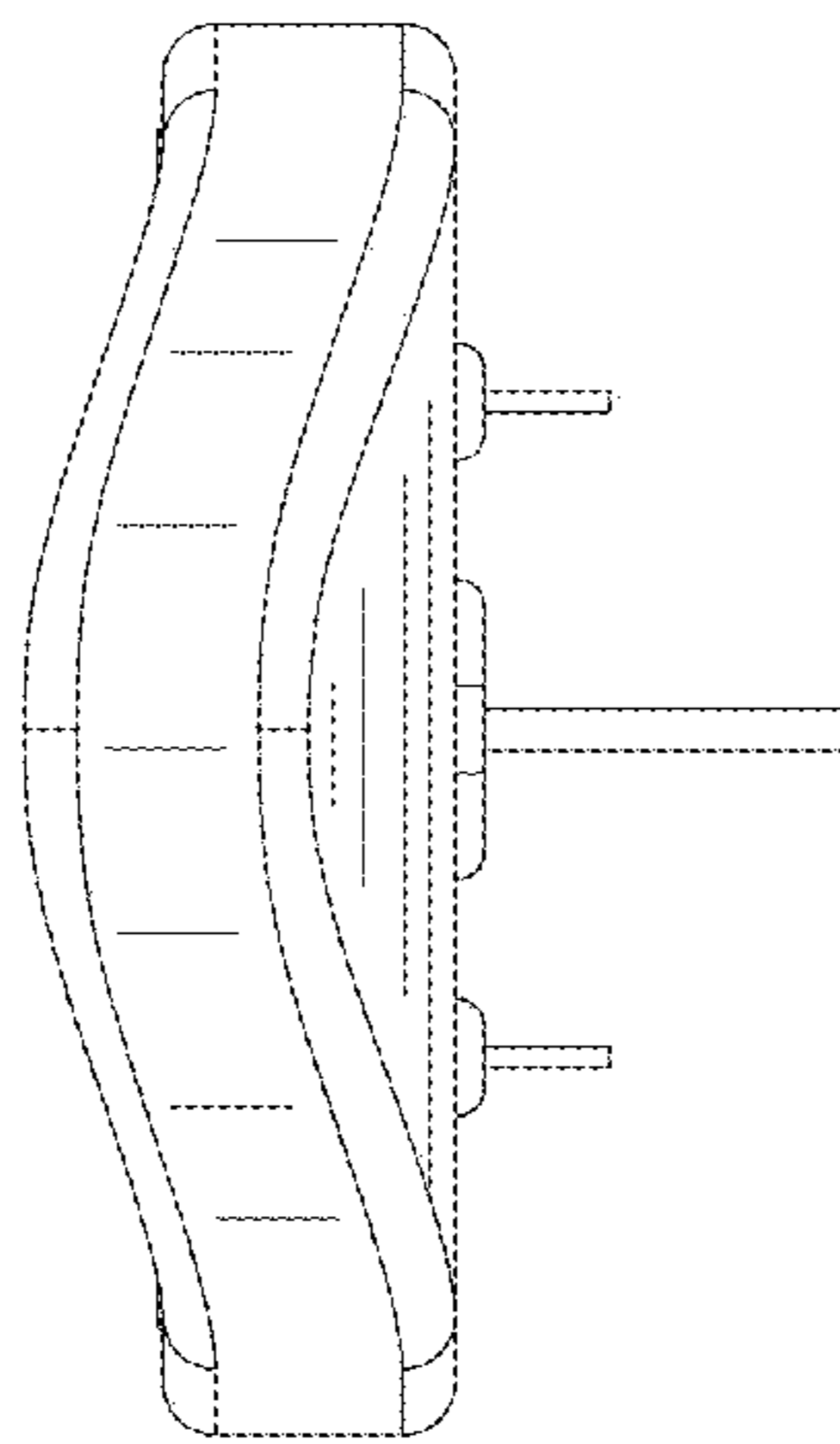


FIG. 5

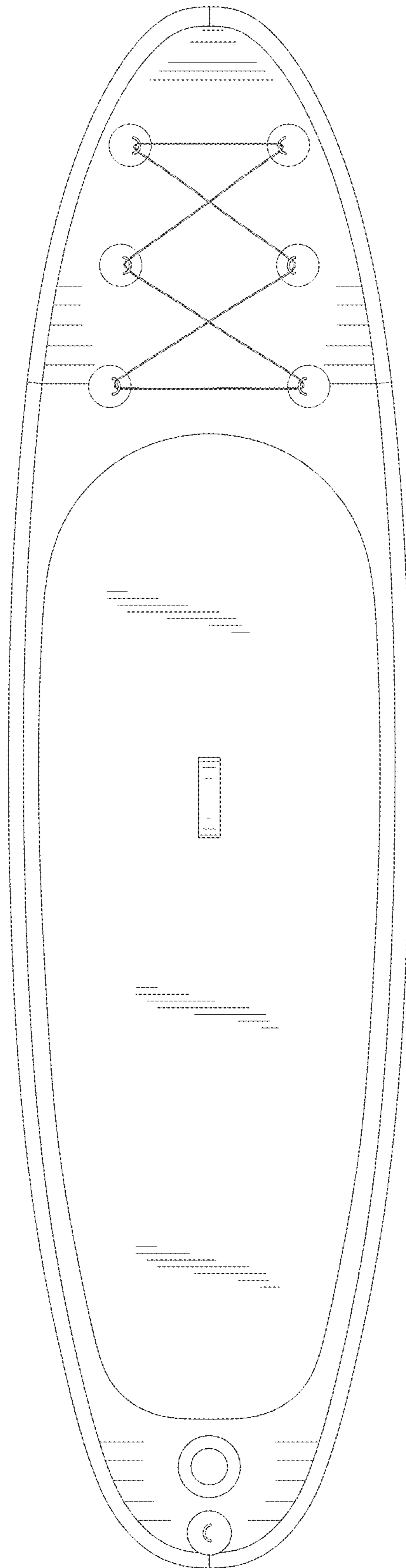


FIG. 6

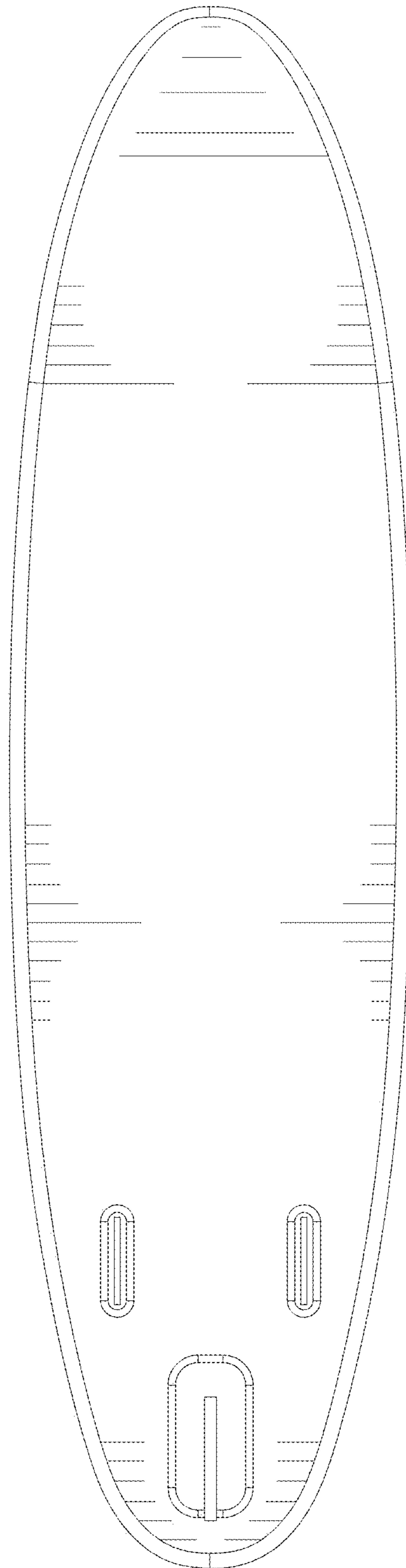


FIG. 7