



US00D980359S

(12) **United States Design Patent**  
**Clarke et al.**

(10) **Patent No.:** **US D980,359 S**  
(45) **Date of Patent:** **\*\* \*Mar. 7, 2023**

(54) **GOLF CLUB HEAD**

(71) Applicant: **KARSTEN MANUFACTURING CORPORATION**, Phoenix, AZ (US)

(72) Inventors: **Jacob T. Clarke**, Apex, NC (US);  
**Anthony D. Serrano**, Phoenix, AZ (US);  
**Murphy R. Alexander**, Scottsdale, AZ (US)

(73) Assignee: **KARSTEN MANUFACTURING CORPORATION**, Phoenix, AZ (US)

(\*) Notice: This patent is subject to a terminal disclaimer.

(\*\*) Term: **15 Years**

(21) Appl. No.: **29/767,123**

(22) Filed: **Jan. 20, 2021**

(51) **LOC (14) Cl.** ..... **21-02**

(52) **U.S. Cl.**  
USPC ..... **D21/744**

(58) **Field of Classification Search**  
USPC ..... D21/736-746, 759  
CPC ..... A63B 53/00; A63B 53/04; A63B 53/007;  
A63B 53/065; A63B 53/0487; A63B  
60/00; A63B 60/46

See application file for complete search history.

(56) **References Cited**

**U.S. PATENT DOCUMENTS**

D240,751 S	7/1976	Taylor	
D268,691 S *	4/1983	Collins	D21/739
4,659,083 A	4/1987	Szczepanski	
D298,767 S	11/1988	Szczepanski	
D316,129 S	4/1991	Bryson	
D320,251 S *	9/1991	Mermillod	D21/739
D320,638 S *	10/1991	Mermillod	D21/739
D360,010 S	7/1995	Green	
D375,131 S	10/1996	Williams	

D382,615 S	8/1997	Schaeffer et al.	
5,685,784 A	11/1997	Butler	
D388,853 S *	1/1998	Minami	D21/745
D399,900 S	10/1998	Hogan	
D402,724 S *	12/1998	Minami	D21/743
D424,145 S *	5/2000	Minami	D21/744
D458,979 S	6/2002	Hill et al.	
D488,200 S	4/2004	Olsavsky	
D496,417 S	9/2004	Tang	
D499,154 S *	11/2004	D'Agguano	D21/736
D500,109 S	12/2004	Solheim	
D500,110 S	12/2004	Solheim	
6,837,801 B1	1/2005	Souza et al.	

(Continued)

**FOREIGN PATENT DOCUMENTS**

KR 3011536720001 3/2022

**OTHER PUBLICATIONS**

Ping putters google search; google.com; Jul. 28, 2022.\*  
Ping.com; Jul. 28, 2022.\*

*Primary Examiner* — Mitchell I. Siegel

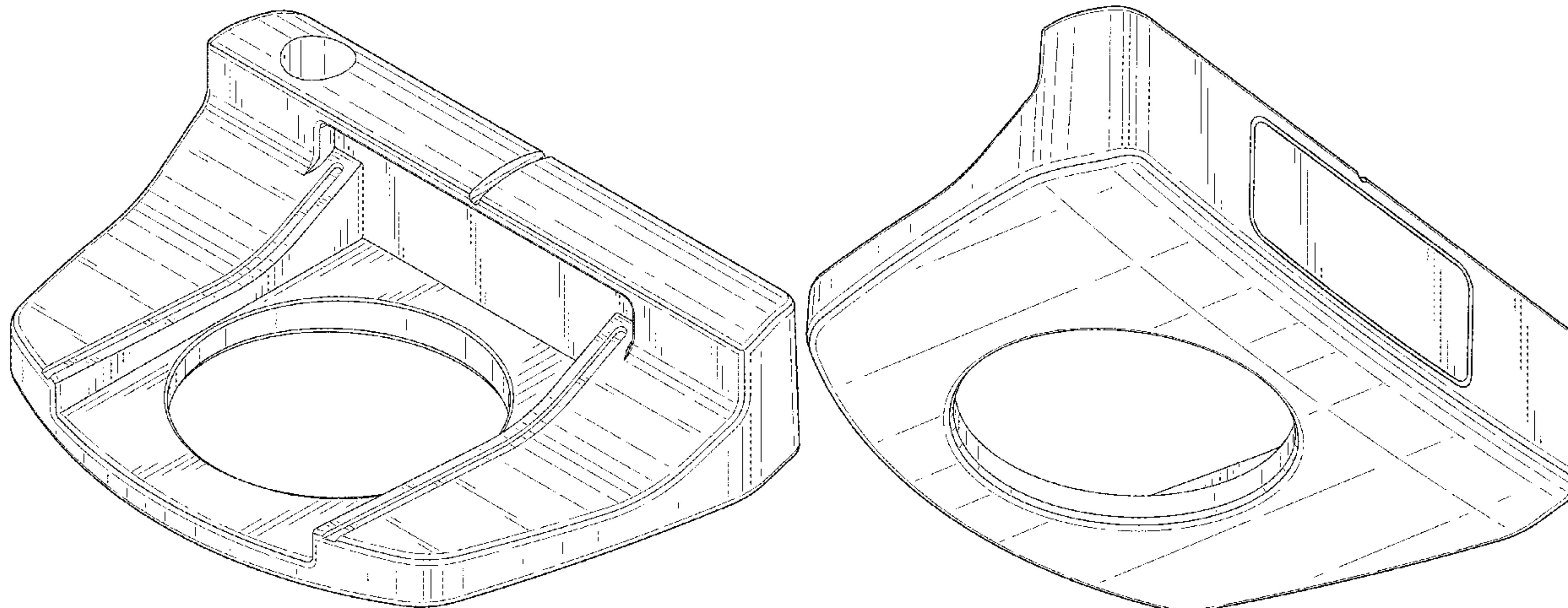
(57) **CLAIM**

The ornamental design for a golf club head, as shown and described.

**DESCRIPTION**

FIG. 1 is a top perspective view of a golf club head;  
FIG. 2 is a bottom perspective view of the golf club head of FIG. 1;  
FIG. 3 is a top view of the golf club head of FIG. 1;  
FIG. 4 is a bottom view of the golf club head of FIG. 1;  
FIG. 5 is a front view of the golf club head of FIG. 1;  
FIG. 6 is a rear view of the golf club head of FIG. 1;  
FIG. 7 is a heel side view of the golf club head of FIG. 1;  
and,  
FIG. 8 is a toe side view of the golf club head of FIG. 1.  
The broken lines shown form no part of the claimed design.

**1 Claim, 6 Drawing Sheets**



(56)

References Cited

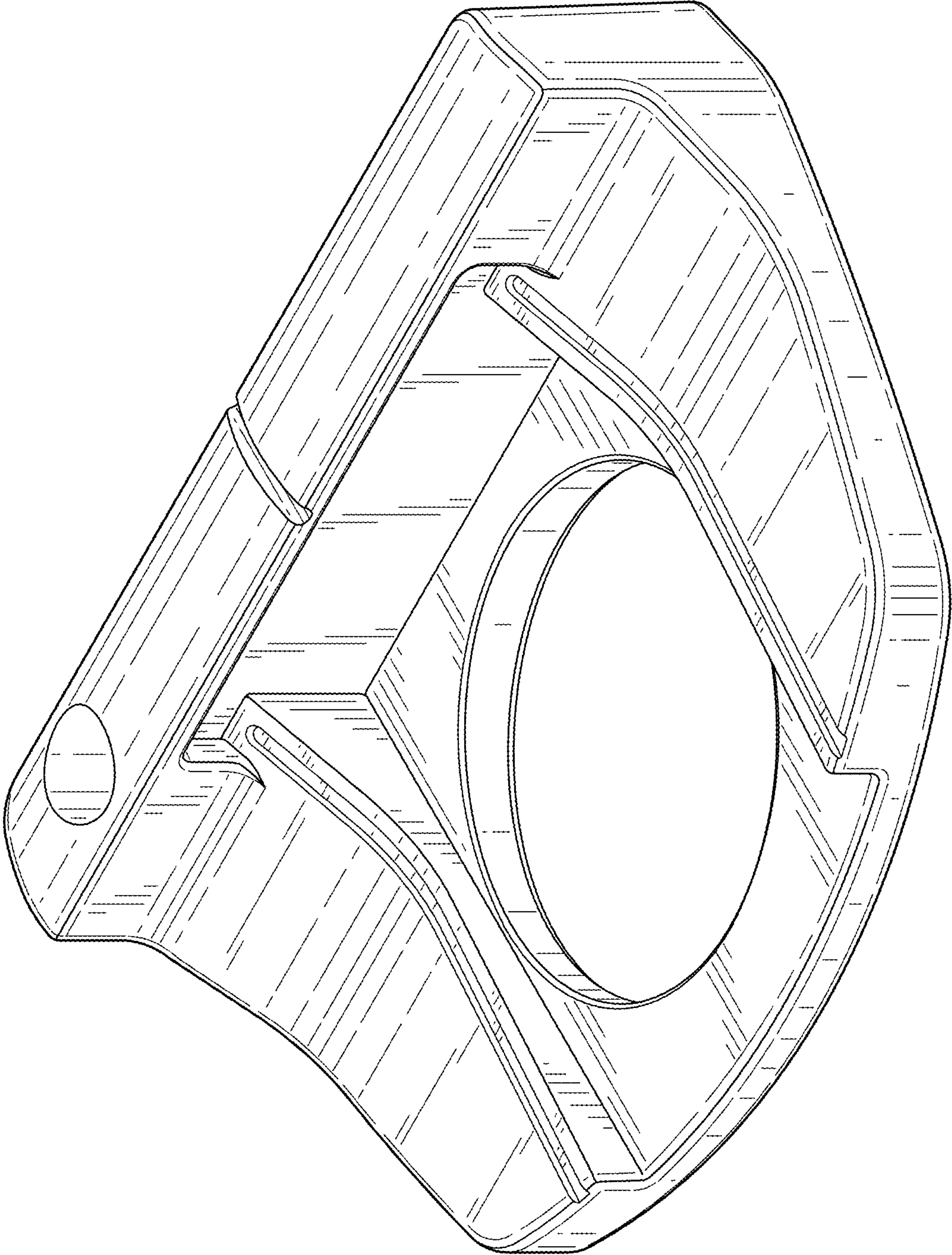
U.S. PATENT DOCUMENTS

6,878,071 B1 4/2005 Schwieger et al.  
 6,893,355 B2 5/2005 Souza et al.  
 D507,612 S 7/2005 Souza  
 D507,613 S 7/2005 Baiocchi  
 6,926,615 B1 8/2005 Souza et al.  
 6,960,140 B2 11/2005 Solheim et al.  
 6,966,845 B2 11/2005 Solheim et al.  
 D520,584 S 5/2006 Karlssen  
 D521,582 S 5/2006 Souza  
 7,052,411 B2 5/2006 Solheim et al.  
 D522,598 S 6/2006 Solheim  
 7,059,971 B1\* 6/2006 Schmitt ..... A63B 60/50  
 473/285  
 7,077,758 B2 7/2006 Rohrer  
 7,086,957 B2 8/2006 Solheim et al.  
 D529,108 S 9/2006 Stites  
 D531,687 S\* 11/2006 Goold ..... D21/743  
 D533,243 S 12/2006 Fife  
 7,235,021 B2 6/2007 Solheim et al.  
 D548,295 S 8/2007 Jertson  
 7,255,650 B2 8/2007 Braynt et al.  
 D552,197 S 10/2007 Wells  
 D565,137 S 3/2008 Oldknow  
 D569,460 S 5/2008 Walker  
 D569,462 S 5/2008 Rollinson  
 D571,879 S 5/2008 Jones et al.  
 7,374,497 B2 5/2008 Brown  
 D572,325 S\* 7/2008 Baer ..... D21/746  
 D574,907 S 8/2008 Jones et al.  
 D581,473 S 11/2008 Thomas  
 D583,003 S 12/2008 Solheim  
 D587,325 S 2/2009 Solheim  
 D594,073 S 6/2009 Kadoya  
 D595,372 S 6/2009 Rollinson  
 D600,294 S 9/2009 Mills  
 D600,760 S 9/2009 Serrano  
 D600,761 S 9/2009 Solheim  
 D600,762 S 9/2009 Serrano  
 D607,950 S 1/2010 Souza

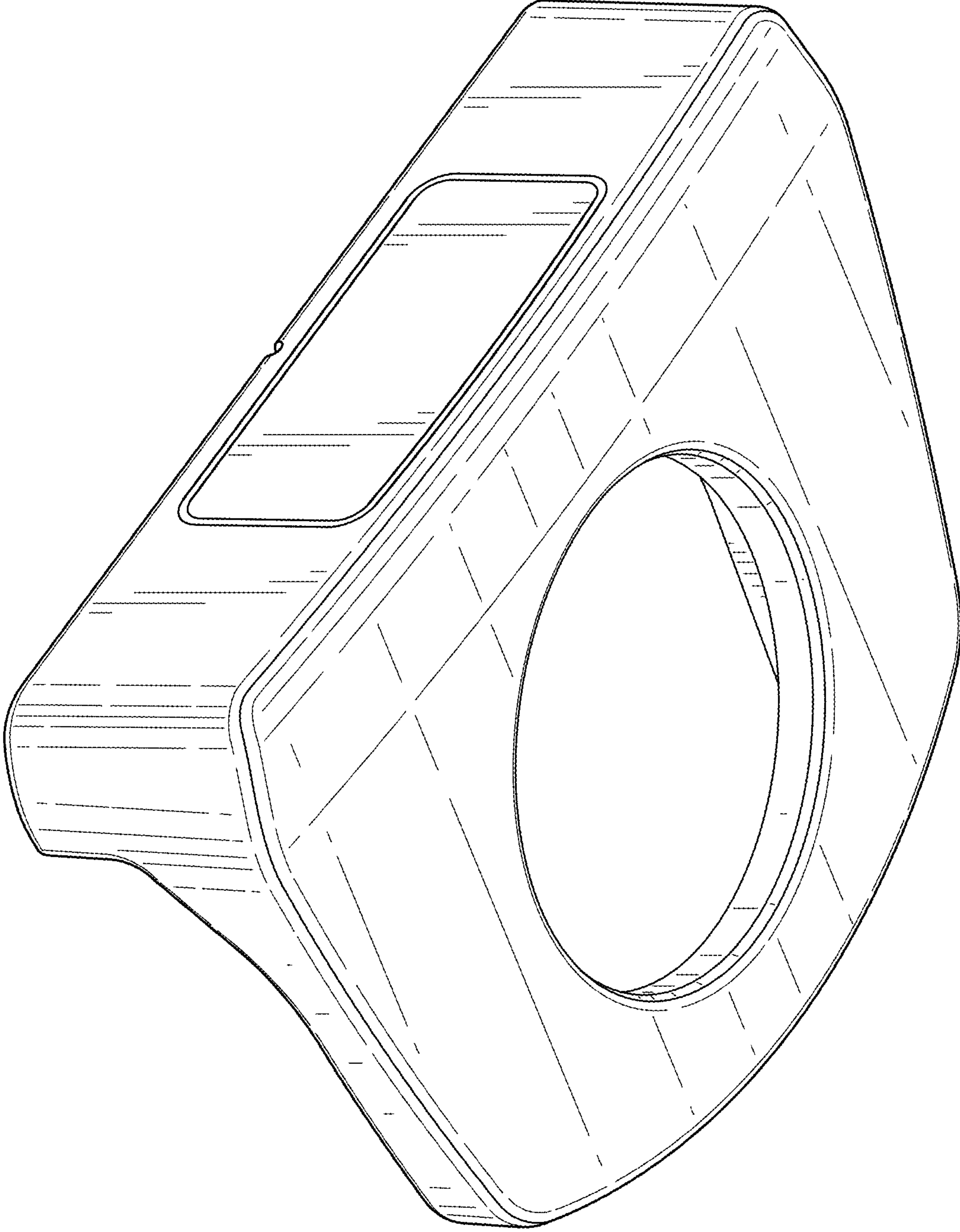
D621,458 S 8/2010 Serrano  
 D621,460 S 8/2010 Serrano  
 D621,461 S 8/2010 Serrano  
 D621,462 S 8/2010 Serrano  
 D621,891 S 8/2010 Serrano  
 7,803,066 B2 9/2010 Solheim et al.  
 7,922,596 B2\* 4/2011 Vanderbilt ..... A63B 57/353  
 473/340  
 D638,891 S 5/2011 Nicolette  
 D643,080 S 8/2011 Serrano  
 D643,485 S 8/2011 Nicolette et al.  
 D643,486 S 8/2011 Serrano  
 D643,487 S 8/2011 Serrano  
 D643,894 S\* 8/2011 Price ..... D21/744  
 D645,923 S\* 9/2011 Price ..... D21/736  
 8,100,779 B2 1/2012 Solheim et al.  
 D653,718 S 2/2012 Stokke  
 8,109,838 B2 2/2012 Solheim et al.  
 D664,617 S 7/2012 Serrano  
 8,272,976 B2\* 9/2012 DAgostino ..... A63B 53/0466  
 294/19.2  
 D681,756 S\* 5/2013 Wong ..... D21/744  
 D704,781 S\* 5/2014 Pak ..... D21/736  
 D715,388 S 10/2014 Serrano  
 D735,283 S 7/2015 Solheim  
 D741,965 S\* 10/2015 Davis ..... D21/736  
 D741,966 S\* 10/2015 Davis ..... D21/736  
 D741,967 S\* 10/2015 Davis ..... D21/736  
 9,220,690 B2 12/2015 Schartiger et al.  
 D754,805 S 4/2016 Serrano  
 D774,610 S 12/2016 Serrano et al.  
 D776,771 S 1/2017 Peterson  
 D797,222 S 9/2017 Serrano et al.  
 D832,950 S 11/2018 Serrano  
 D847,923 S\* 5/2019 Wang ..... D21/736  
 D908,826 S\* 1/2021 Clarke ..... D21/736  
 D941,945 S\* 1/2022 Nicolette ..... D21/736  
 2003/0083149 A1 5/2003 Scarpa et al.  
 2006/0094533 A1 5/2006 Warren et al.  
 2007/0191135 A1 8/2007 Nilsson et al.  
 2010/0227704 A1 9/2010 Souza et al.

\* cited by examiner

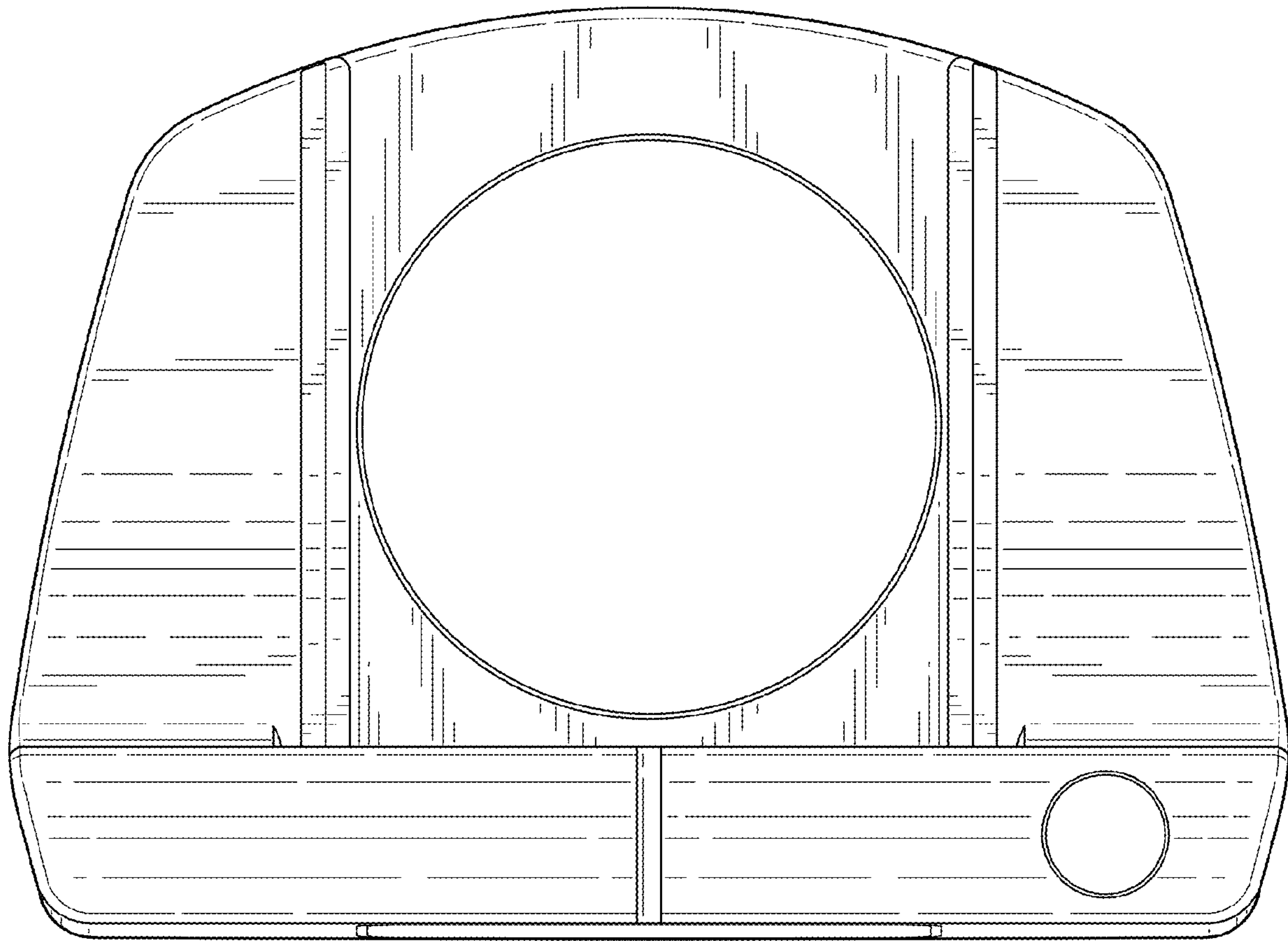




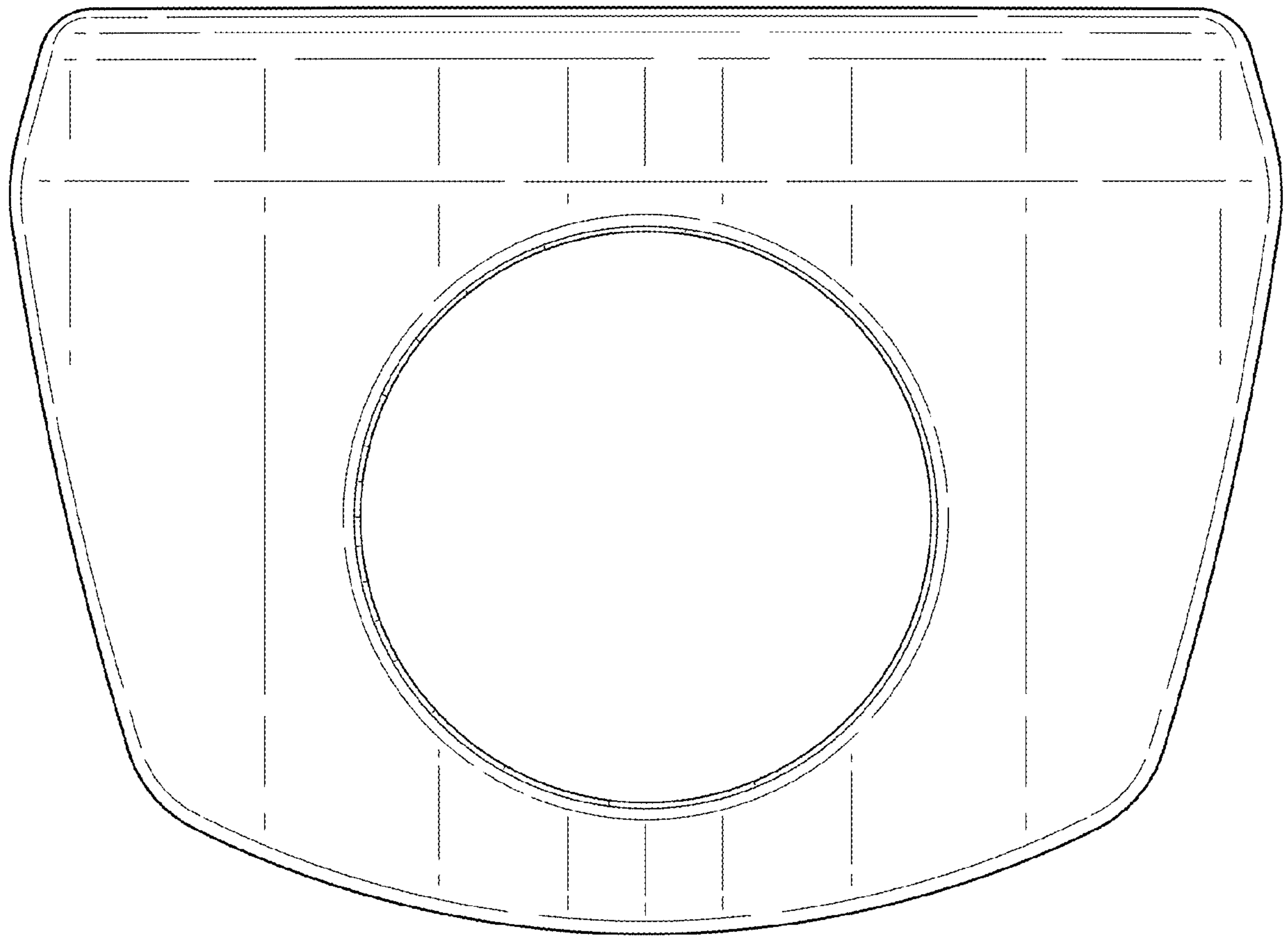
**FIG. 1**



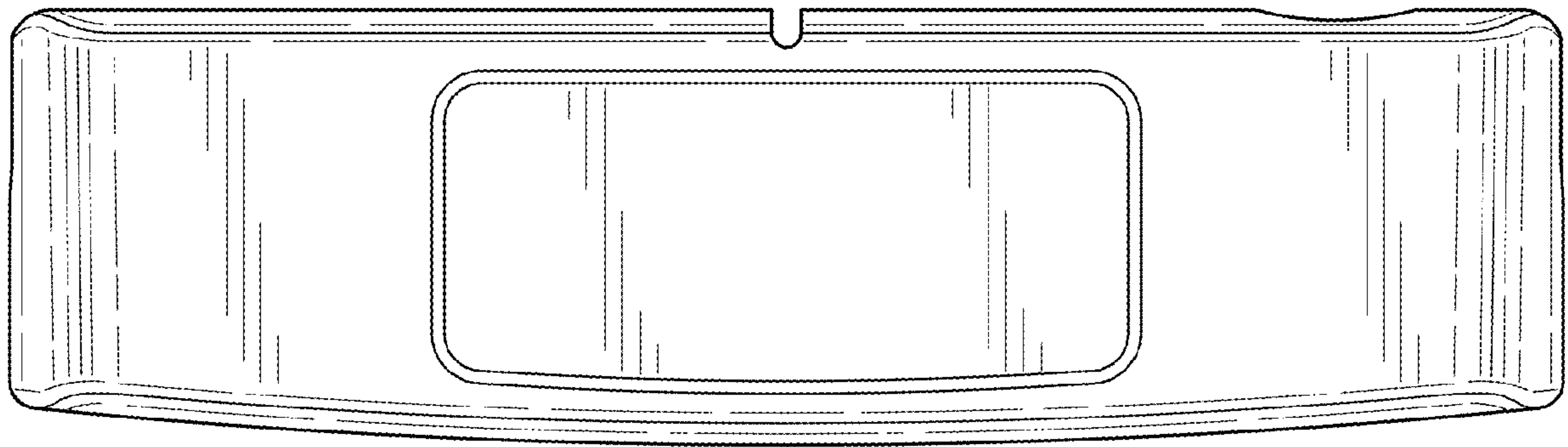
**FIG. 2**



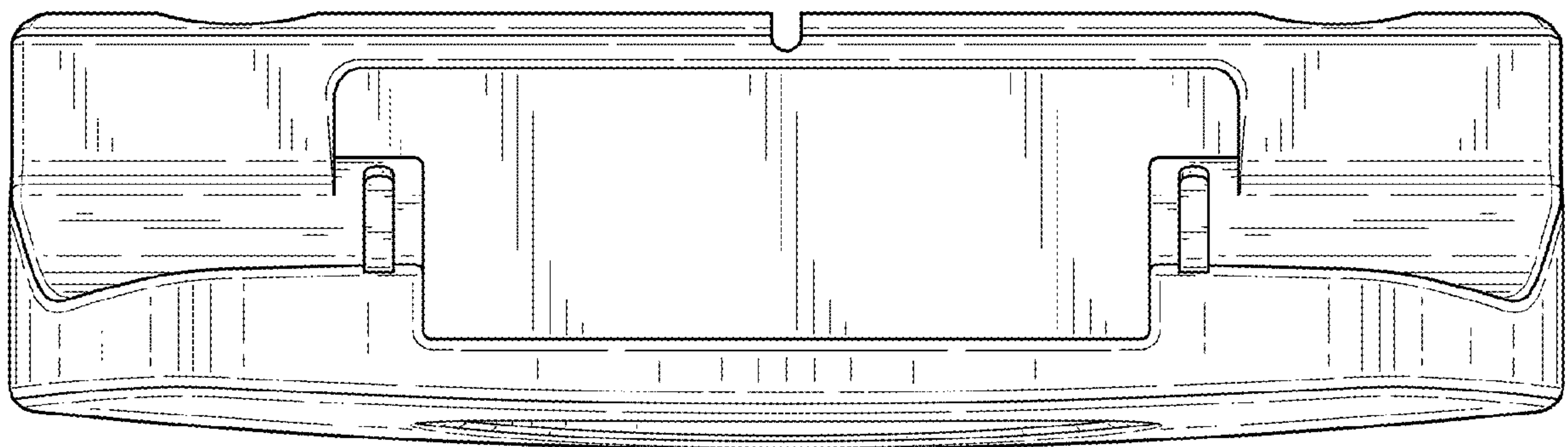
**FIG. 3**



**FIG. 4**

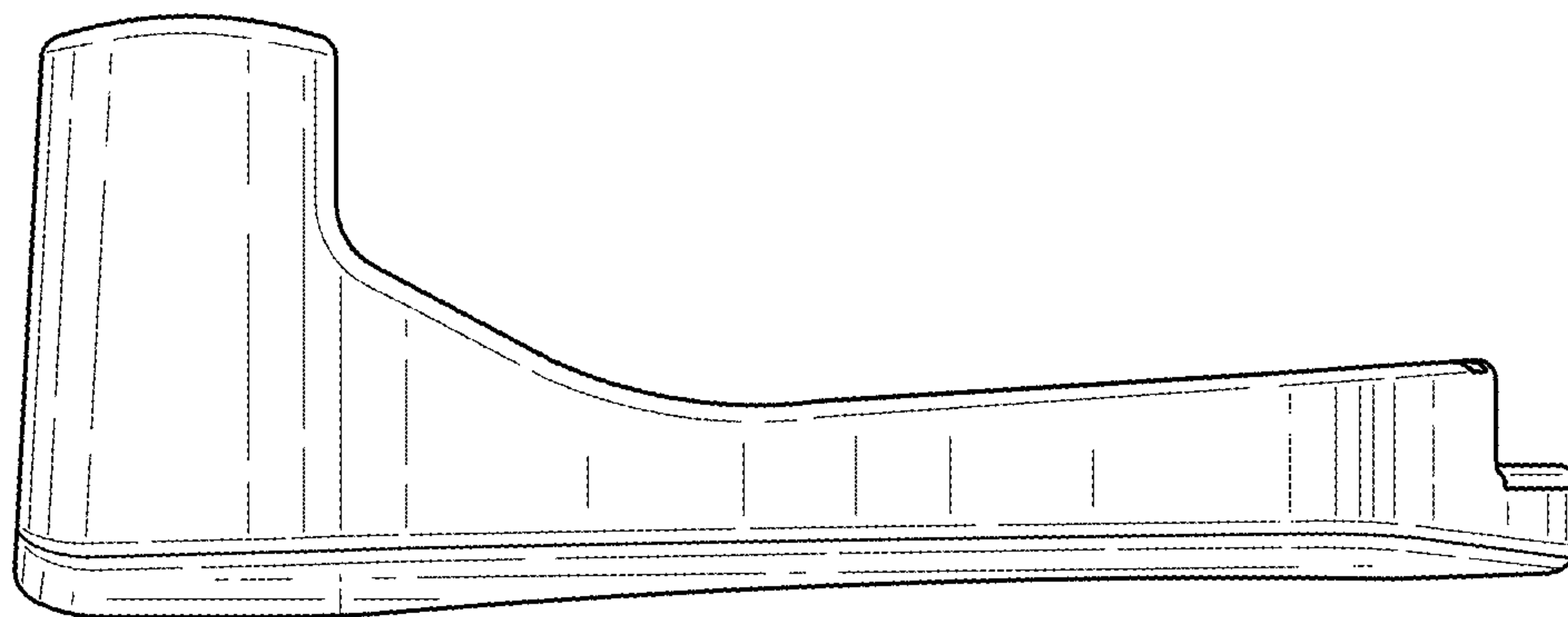


**FIG. 5**

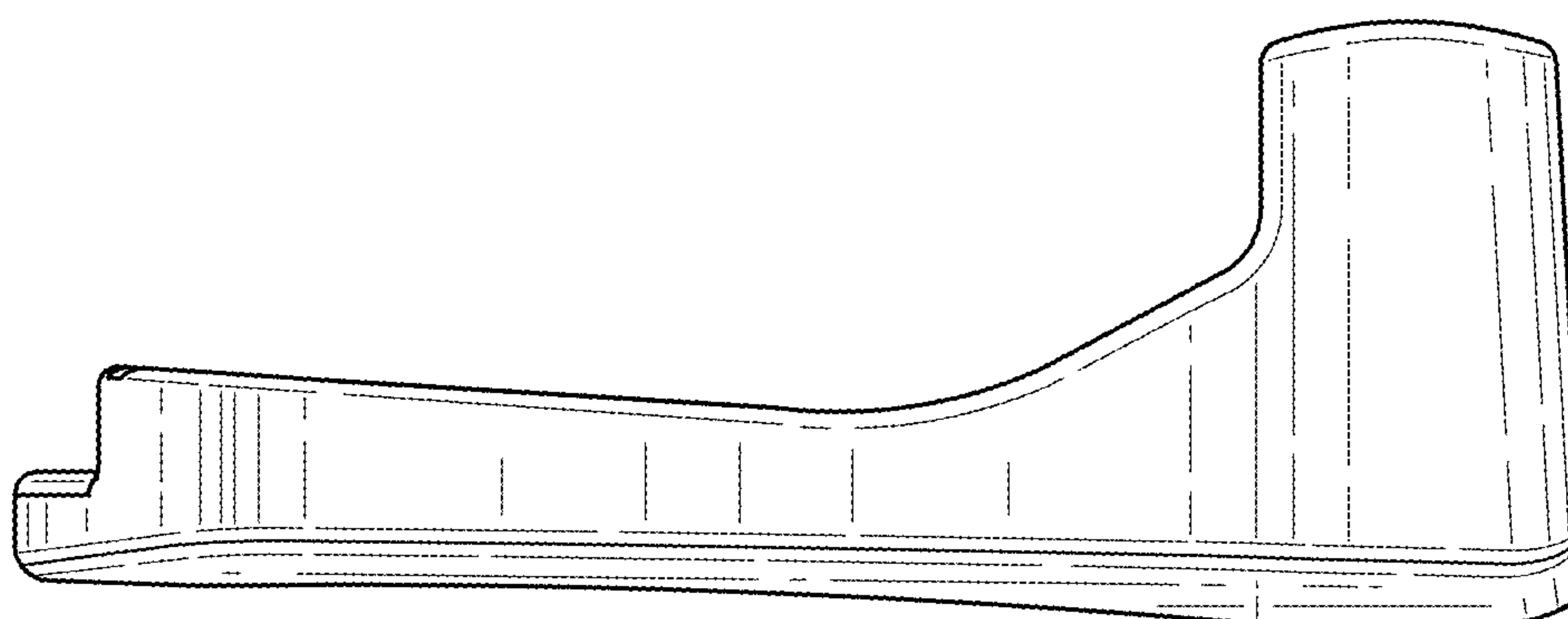


**FIG. 6**





**FIG. 7**



**FIG. 8**