



US00D980357S

(12) **United States Design Patent**  
**Nicolette**

(10) **Patent No.:** **US D980,357 S**  
(45) **Date of Patent:** **\*\* Mar. 7, 2023**

- (54) **GOLF CLUB HEAD**
- (71) Applicant: **PARSONS XTREME GOLF, LLC**,  
Scottsdale, AZ (US)
- (72) Inventor: **Michael R. Nicolette**, Scottsdale, AZ  
(US)
- (73) Assignee: **PARSONS XTREME GOLF, LLC**,  
Scottsdale, AZ (US)

- D335,692 S 5/1993 Antonious
- D336,757 S 6/1993 Antonious
- 5,275,412 A 1/1994 Innes
- D350,582 S 9/1994 Miansian et al.
- 5,390,919 A 2/1995 Stubbs et al.
- D359,330 S 6/1995 Channell

(Continued)

**FOREIGN PATENT DOCUMENTS**

- JP 2004223184 A 8/2004
- JP 2005160691 A 6/2005

(Continued)

(\*\*) Term: **15 Years**

(21) Appl. No.: **29/849,385**

(22) Filed: **Aug. 10, 2022**

(51) **LOC (14) Cl.** ..... **21-02**

(52) **U.S. Cl.**  
USPC ..... **D21/736**

(58) **Field of Classification Search**  
USPC ..... D21/736-746  
CPC ..... A63B 53/00; A63B 53/04; A63B 53/007;  
A63B 53/065; A63B 53/0487; A63B  
60/00; A63B 60/46

See application file for complete search history.

(56) **References Cited**

**U.S. PATENT DOCUMENTS**

- 723,534 A 3/1903 Knight
- 922,444 A 5/1909 Youds
- 1,094,599 A 4/1914 Samson
- D57,980 S 5/1921 Kraeuter
- D63,284 S 11/1923 Challis
- RE19,178 E 5/1934 Spiker
- 4,043,562 A 8/1977 Shillington
- D248,783 S 8/1978 Long
- D281,092 S 10/1985 Mills
- 4,964,641 A 10/1990 Miesch et al.
- D313,451 S 1/1991 Shearer
- D335,317 S 5/1993 Shearer

**OTHER PUBLICATIONS**

Pxg putter google search; google.com; Nov. 23, 2022.\*

(Continued)

*Primary Examiner* — Mitchell I. Siegel

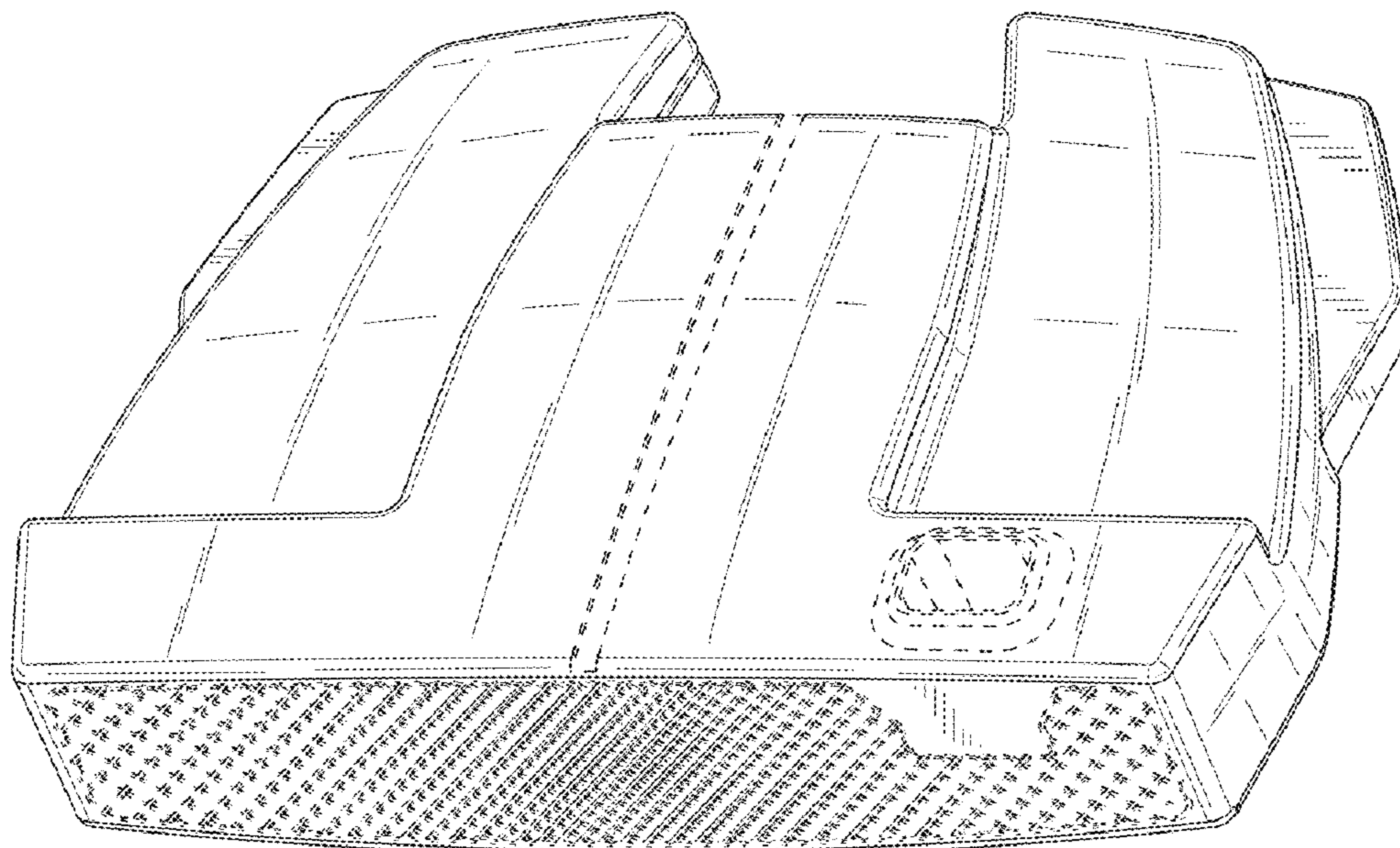
(57) **CLAIM**

The ornamental design for a golf club head, as shown and described.

**DESCRIPTION**

FIG. 1 is a top perspective view of a golf club head according to a first embodiment;  
 FIG. 2 is a bottom perspective view of the golf club head of FIG. 1;  
 FIG. 3 is a front elevational view of the golf club head of FIG. 1;  
 FIG. 4 is a rear elevational view of the golf club head of FIG. 1;  
 FIG. 5 is a top view of the golf club head of FIG. 1;  
 FIG. 6 is a bottom view of the golf club head of FIG. 1;  
 FIG. 7 is a left side view of the golf club head of FIG. 1; and,  
 FIG. 8 is a right side view of the golf club head of FIG. 1.  
 The broken lines shown on the drawings form no part of the claimed design.

**1 Claim, 4 Drawing Sheets**



(56)

References Cited

U.S. PATENT DOCUMENTS

D360,444 S	7/1995	Takahashi et al.	D529,109 S	9/2006	Jones	
5,429,366 A	7/1995	McCabe	D531,242 S	10/2006	Adams	
D363,101 S	10/1995	Sturm	7,125,341 B1	10/2006	D'Eath	
D364,665 S	11/1995	Goodrich	D532,067 S	11/2006	Soracco et al.	
D365,864 S	1/1996	Sturm	7,156,752 B1	1/2007	Bennett	
5,489,097 A	2/1996	Simmons	D537,898 S	3/2007	Kuan et al.	
D368,751 S	4/1996	Rife	7,204,765 B2	4/2007	Cover et al.	
D369,393 S	4/1996	Takahashi et al.	D542,869 S	5/2007	Adams	
5,571,053 A	11/1996	Lane	D542,873 S	5/2007	Oldknow	
D378,688 S	4/1997	Cameron	D543,598 S	5/2007	Kuan et al.	
D380,514 S	7/1997	Markley	D556,277 S	11/2007	Broom	
D381,382 S	7/1997	Fenton, Jr.	7,309,297 B1	12/2007	Solari	
D385,609 S	10/1997	Cameron	D561,854 S	2/2008	Morris	
5,683,307 A	11/1997	Rife	7,331,876 B2	2/2008	Klein	
D388,143 S	12/1997	Huan-Chiang	D565,137 S	3/2008	Oldknow et al.	
D389,207 S	1/1998	Cameron	7,351,162 B2	4/2008	Soracco et al.	
D398,685 S	9/1998	Masuda	D569,460 S	5/2008	Walker et al.	
5,807,190 A	9/1998	Krumme et al.	D569,461 S	5/2008	Morris	
D399,274 S	10/1998	Bradford	D569,930 S	5/2008	Nehrbas	
D399,290 S	10/1998	Sizemore, Jr.	D574,050 S	7/2008	Jones et al.	
D399,911 S	10/1998	Nicolette et al.	7,396,289 B2	7/2008	Soracco et al.	
5,839,974 A	11/1998	McAllister	D577,085 S	9/2008	Nicolette et al.	
D405,836 S	2/1999	Nicolette et al.	D577,086 S	9/2008	Nicolette et al.	
D409,701 S	5/1999	Ashcraft et al.	D579,506 S	10/2008	Nicolette et al.	
D411,275 S	6/1999	Bottema et al.	D579,995 S	11/2008	Nicolette et al.	
5,924,938 A	7/1999	Hines	D582,497 S	12/2008	Rollinson	
D415,809 S	10/1999	Bottema et al.	7,473,189 B2	1/2009	Schweigert et al.	
D416,062 S	11/1999	Solheim et al.	7,491,131 B2	2/2009	Vinton	
D416,969 S	11/1999	Solheim et al.	D594,921 S	6/2009	Bettinardi	
D416,970 S	11/1999	Solheim et al.	D595,370 S *	6/2009	Ines ..... D21/736	
6,007,434 A	12/1999	Baker et al.	D595,793 S	7/2009	Rollinson	
D421,473 S	3/2000	Solheim et al.	D599,425 S	9/2009	Laub	
D422,041 S	3/2000	Bradford	D599,867 S	9/2009	Teramoto	
D422,655 S	4/2000	Hicks	D600,295 S	9/2009	Meeks	
6,089,993 A	7/2000	Woodward et al.	D600,762 S	9/2009	Serrano et al.	
D429,302 S	8/2000	Antonious	D600,763 S	9/2009	Cameron	
6,110,057 A	8/2000	McKinnon	D601,214 S	9/2009	Serrano et al.	
D430,914 S	9/2000	Antonious	D606,139 S *	12/2009	Ines ..... D21/736	
D431,853 S	10/2000	Antonious	D606,140 S	12/2009	Ramsauer	
D431,854 S	10/2000	Cameron	D606,141 S	12/2009	Ramsauer	
D432,192 S	10/2000	Hicks	D606,142 S	12/2009	Ramsauer	
D436,151 S	1/2001	Nicolette et al.	D607,951 S	1/2010	Teramoto	
D437,374 S	2/2001	Cameron	D607,952 S	1/2010	Demkowski et al.	
D441,820 S	5/2001	Nicolette et al.	D617,857 S	6/2010	Sones	
D443,668 S	6/2001	Nicolette et al.	7,744,485 B2	6/2010	Jones et al.	
D443,905 S	6/2001	Nicolette et al.	D619,666 S	7/2010	DePaul	
D444,833 S	7/2001	Wells et al.	D620,993 S	8/2010	Laub	
D444,835 S	7/2001	Wahl et al.	D621,461 S	8/2010	Serrano et al.	
6,257,994 B1	7/2001	Antonious	D623,709 S	9/2010	Serrano et al.	
6,264,571 B1	7/2001	Lekavich	7,867,104 B2	1/2011	Franklin et al.	
D449,664 S	10/2001	Beebe et al.	D631,925 S	2/2011	Broom	
D449,865 S	10/2001	Fife, Jr. et al.	7,887,432 B2	2/2011	Jones et al.	
D450,799 S	11/2001	Nicolette et al.	D633,964 S	3/2011	Teramoto	
D451,973 S	12/2001	Wells et al.	7,909,707 B2	3/2011	Klein	
6,348,014 B1	2/2002	Chiu	7,918,745 B2	4/2011	Morris et al.	
6,354,959 B1	3/2002	Nicolette et al.	7,927,226 B1	4/2011	Twitty	
6,394,910 B1	5/2002	McCarthy	D638,891 S	5/2011	Nicolette et al.	
D472,949 S	4/2003	Serrano	7,942,758 B2	5/2011	Nakamura	
D474,821 S	5/2003	Wells et al.	D639,369 S	6/2011	Miyamichi	
6,652,390 B2	11/2003	Bradford	D642,643 S	8/2011	Nicolette et al.	
D483,086 S	12/2003	Schweigert et al.	D643,485 S	8/2011	Nicolette et al.	
D486,872 S	2/2004	Schweigert et al.	D645,104 S	9/2011	Nicolette et al.	
D488,200 S	4/2004	Olsavsky et al.	8,096,039 B2	1/2012	Soracco et al.	
D498,276 S	11/2004	Schweigert et al.	D653,718 S	2/2012	Stokke et al.	
D500,823 S	1/2005	Aldrich	8,109,841 B2	2/2012	Miyamichi	
D502,518 S	3/2005	Smart	D655,361 S	3/2012	Ramsauer	
6,902,496 B2	6/2005	Solheim et al.	D657,836 S	4/2012	Oldknow et al.	
D509,273 S	9/2005	Morris et al.	D657,837 S	4/2012	Oldknow et al.	
D511,801 S	11/2005	Garcia	D658,245 S	4/2012	Oldknow et al.	
D512,114 S	11/2005	Garcia	D661,753 S	6/2012	Cameron et al.	
D512,116 S	11/2005	Mirafior et al.	D661,756 S *	6/2012	Nicolette ..... D21/759	
6,988,955 B2	1/2006	Stoakes	D666,260 S	8/2012	Cynn	
6,988,956 B2	1/2006	Cover et al.	D667,907 S *	9/2012	Engel ..... D21/752	
D520,088 S	5/2006	Pan	8,303,434 B1	11/2012	DePaul	
D520,584 S	5/2006	Karlsen	D672,418 S	12/2012	Rollinson	
			8,328,654 B2	12/2012	Demkowski et al.	
			D673,631 S *	1/2013	Engel ..... D21/759	
			8,371,958 B2	2/2013	Treadwell	
			D687,110 S *	7/2013	Engel ..... D21/759	

(56)

References Cited

U.S. PATENT DOCUMENTS

D688,339 S	8/2013	Hilton et al.		D877,831 S *	3/2020	Cameron .....	D21/736
D688,341 S	8/2013	Rollinson		D879,222 S	3/2020	Serrano	
D691,226 S	10/2013	Hilton et al.		10,668,351 B2 *	6/2020	Demkowski .....	A63B 60/02
D699,308 S	2/2014	Rollinson		10,675,514 B2 *	6/2020	Spackman .....	A63B 53/0462
8,696,492 B1	4/2014	Hocknell et al.		D892,243 S *	8/2020	Rollinson .....	D21/743
D704,782 S	5/2014	Rollinson		D893,653 S *	8/2020	Price .....	D21/759
8,721,472 B2	5/2014	Kuan et al.		D893,654 S *	8/2020	Price .....	D21/759
8,790,193 B2	7/2014	Serrano et al.		D893,655 S	8/2020	Schweigert et al.	
D711,483 S	8/2014	Wong		10,737,153 B2	8/2020	Schweigert et al.	
D715,388 S	10/2014	Serrano et al.		D895,037 S *	9/2020	Clarke .....	D21/736
8,900,064 B2	12/2014	Franklin		D896,328 S *	9/2020	Clarke .....	D21/743
D722,350 S	2/2015	Schweigert		D896,903 S	9/2020	Schweigert et al.	
D722,351 S	2/2015	Parsons et al.		D906,453 S	12/2020	Agrella et al.	
D725,208 S	3/2015	Schweigert		D906,457 S	12/2020	Lambeth et al.	
D726,270 S	4/2015	Rollinson		10,874,928 B2 *	12/2020	Demkowski .....	A63B 53/0487
D726,846 S	4/2015	Schweigert		D907,146 S	1/2021	Cyrulik et al.	
D730,462 S	5/2015	Becktor et al.		D907,147 S	1/2021	Agrella et al.	
D732,122 S	6/2015	Becktor		D907,730 S *	1/2021	Rollinson .....	D21/759
D732,618 S	6/2015	Becktor et al.		D909,504 S *	2/2021	Schweigert .....	D21/736
D735,283 S	7/2015	Solheim et al.		D909,505 S	2/2021	Schweigert et al.	
9,108,088 B2	8/2015	Serrano et al.		D909,506 S	2/2021	Schweigert et al.	
D738,447 S	9/2015	Schweigert		D910,789 S	2/2021	Schweigert et al.	
D738,449 S	9/2015	Schweigert		D910,790 S	2/2021	Schweigert et al.	
D739,487 S	9/2015	Schweigert		D913,388 S	3/2021	Nicolette	
9,144,717 B2	9/2015	Franklin et al.		D913,389 S	3/2021	Schweigert et al.	
D741,426 S	10/2015	Schweigert		10,960,271 B2	3/2021	Kroloff et al.	
D748,213 S	1/2016	Parsons et al.		D919,722 S	5/2021	Parsons et al.	
D748,215 S	1/2016	Parsons et al.		D920,452 S	5/2021	Parsons et al.	
9,233,283 B2	1/2016	Schweigert		D920,453 S *	5/2021	Cameron .....	D21/736
D750,186 S	2/2016	Schweigert		D921,141 S *	6/2021	Wang .....	D21/744
9,265,996 B1	2/2016	Abbott et al.		D923,729 S	6/2021	Nicolette et al.	
D752,697 S	3/2016	Claveran		D924,345 S	7/2021	Nicolette et al.	
D753,252 S	4/2016	Schweigert		D924,346 S	7/2021	Nicolette et al.	
9,440,124 B2	9/2016	Parsons et al.		D925,673 S	7/2021	Parsons et al.	
9,498,685 B2	11/2016	Abbott et al.		D926,898 S	8/2021	Schweigert et al.	
9,566,484 B1	2/2017	Abbott et al.		D927,619 S	8/2021	Andrews	
D783,745 S *	4/2017	Chen .....	D21/743	D927,622 S	8/2021	Schweigert et al.	
D791,254 S	7/2017	Ramsauer		D928,259 S	8/2021	Andrews	
D791,891 S	7/2017	Davis		D928,263 S	8/2021	Schweigert et al.	
D794,146 S	8/2017	Davis		D933,766 S	10/2021	Parsons et al.	
D798,975 S	10/2017	Becktor		D934,969 S *	11/2021	Toulon .....	D21/736
D798,976 S	10/2017	Becktor		D936,769 S *	11/2021	Cameron .....	D21/744
D798,977 S	10/2017	Becktor		D936,771 S *	11/2021	Cameron .....	D21/744
D798,978 S	10/2017	Becktor		D939,652 S	12/2021	Kroloff	
D798,979 S	10/2017	Becktor		D940,804 S	1/2022	Andrews et al.	
D798,980 S	10/2017	Becktor		D941,945 S	1/2022	Nicolette et al.	
D798,981 S	10/2017	Becktor et al.		D943,694 S *	2/2022	Price .....	D21/759
D799,615 S	10/2017	Kroloff et al.		D943,695 S *	2/2022	Price .....	D21/759
D799,619 S	10/2017	Becktor et al.		D944,348 S *	2/2022	Kim .....	D21/743
D802,073 S	11/2017	Toulon		D945,542 S	3/2022	Andrews	
9,827,479 B2 *	11/2017	Demkowski .....	A63B 69/3685	D945,543 S	3/2022	Kroloff et al.	
D809,616 S	2/2018	Toulon et al.		D945,544 S	3/2022	Kroloff et al.	
D812,163 S	3/2018	Kroloff		D949,269 S	4/2022	Andrews	
D812,164 S	3/2018	Parsons et al.		D949,270 S	4/2022	Andrews	
D815,703 S	4/2018	Schweigert		D951,379 S	5/2022	Andrews	
9,987,530 B2	6/2018	Jertson et al.		D952,081 S	5/2022	Kirtley et al.	
D824,462 S *	7/2018	Bruschi .....	D21/736	D952,082 S	5/2022	Andrews et al.	
D827,742 S	9/2018	Weaver		D954,874 S	6/2022	Nicolette et al.	
D831,766 S	10/2018	Schweigert		D954,875 S	6/2022	Parsons et al.	
D832,949 S	11/2018	Nicolette		2004/0138003 A1	7/2004	Grace	
D832,950 S	11/2018	Serrano		2004/0180730 A1	9/2004	Franklin et al.	
D835,217 S *	12/2018	Nicolette .....	D21/736	2006/0052178 A1	3/2006	Franklin et al.	
D837,911 S *	1/2019	Bruschi .....	D21/736	2006/0094522 A1	5/2006	Tang et al.	
10,173,105 B2	1/2019	Myers et al.		2006/0223649 A1	10/2006	Rife	
D839,977 S	2/2019	Rollinson et al.		2007/0129163 A1	6/2007	Solari	
D842,952 S	3/2019	Schweigert et al.		2007/0135229 A1	6/2007	Lo et al.	
D844,085 S *	3/2019	Nicolette .....	D21/743	2007/0142122 A1	6/2007	Bonneau	
D844,723 S *	4/2019	Nicolette .....	D21/743	2007/0207875 A1	9/2007	Kuan et al.	
10,252,138 B2 *	4/2019	Demkowski .....	A63B 53/04	2007/0238548 A1	10/2007	Johnson	
D848,562 S	5/2019	Nicolette et al.		2008/0139333 A1	6/2008	Klein	
D859,545 S *	9/2019	Long .....	D21/736	2008/0146372 A1	6/2008	John	
D861,091 S	9/2019	Glorioso et al.		2008/0176672 A1	7/2008	Roach et al.	
D866,691 S	11/2019	Nicolette		2009/0029800 A1	1/2009	Jones et al.	
10,493,331 B2	12/2019	Kroloff et al.		2010/0255922 A1	10/2010	Lueders	
D872,816 S	1/2020	Parsons et al.		2013/0165256 A1	6/2013	Stevenson	
				2013/0210537 A1	8/2013	Ainscough et al.	
				2015/0057100 A1	2/2015	Serrano et al.	
				2015/0258390 A1	9/2015	DeFrancesco, Jr.	
				2015/0306477 A1	10/2015	Parsons et al.	

(56)

**References Cited**

U.S. PATENT DOCUMENTS

2016/0016050 A1 1/2016 Rife  
2016/0346649 A1 12/2016 Jertson et al.  
2017/0036078 A1 2/2017 Serrano et al.  
2017/0340932 A1\* 11/2017 Morales ..... A63B 53/0466  
2018/0001163 A1 1/2018 Becktor et al.  
2018/0311545 A1 11/2018 Lambeth et al.  
2019/0151721 A1\* 5/2019 Morales ..... A63B 53/0466  
2019/0175995 A1 6/2019 Kroloff et al.  
2019/0175996 A1 6/2019 Kroloff et al.  
2019/0224533 A1\* 7/2019 Spackman ..... A63B 53/045  
2020/0061421 A1 2/2020 Kroloff et al.

FOREIGN PATENT DOCUMENTS

KR 20100065481 A 6/2010  
KR 101773069 B1 8/2017

OTHER PUBLICATIONS

Putter google search; google.com; Nov. 23, 2022.\*  
pxg.com; Nov. 23, 2022.\*  
taylormade.coml Nov. 23, 2022.\*  
Plugged In Golf (2015 Bettinardi Putters Review) [online]. Mar. 3, 2015 [retrieve Nov. 25, 2019] Retrieve from the Internet: URL: <https://pluggedingolf.com/2015-bettinardi-putters-review/>.  
TourSpecGolf (Gold's Factory Multi Weighted Custom Putter), Published Nov. 20, 2010 [http://blog.tourspecgolf.com/golds-factory-multi-weighted-custom-putter/], Retrieved May 17, 2020.  
U.S. Appl. No. 29/523,587, Schweigert, "Golf Club Head," filed Apr. 10, 2015.

\* cited by examiner

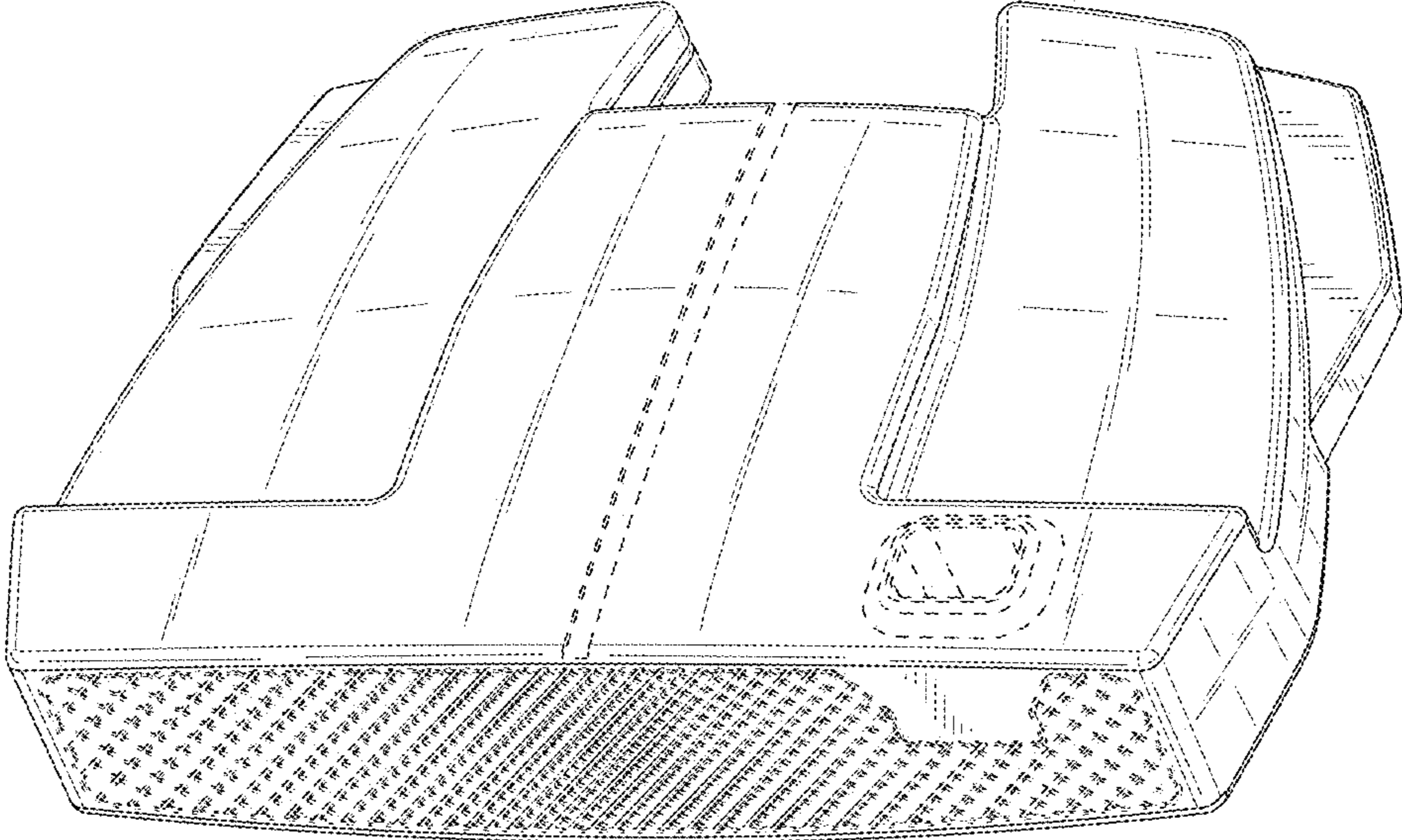


FIG. 1

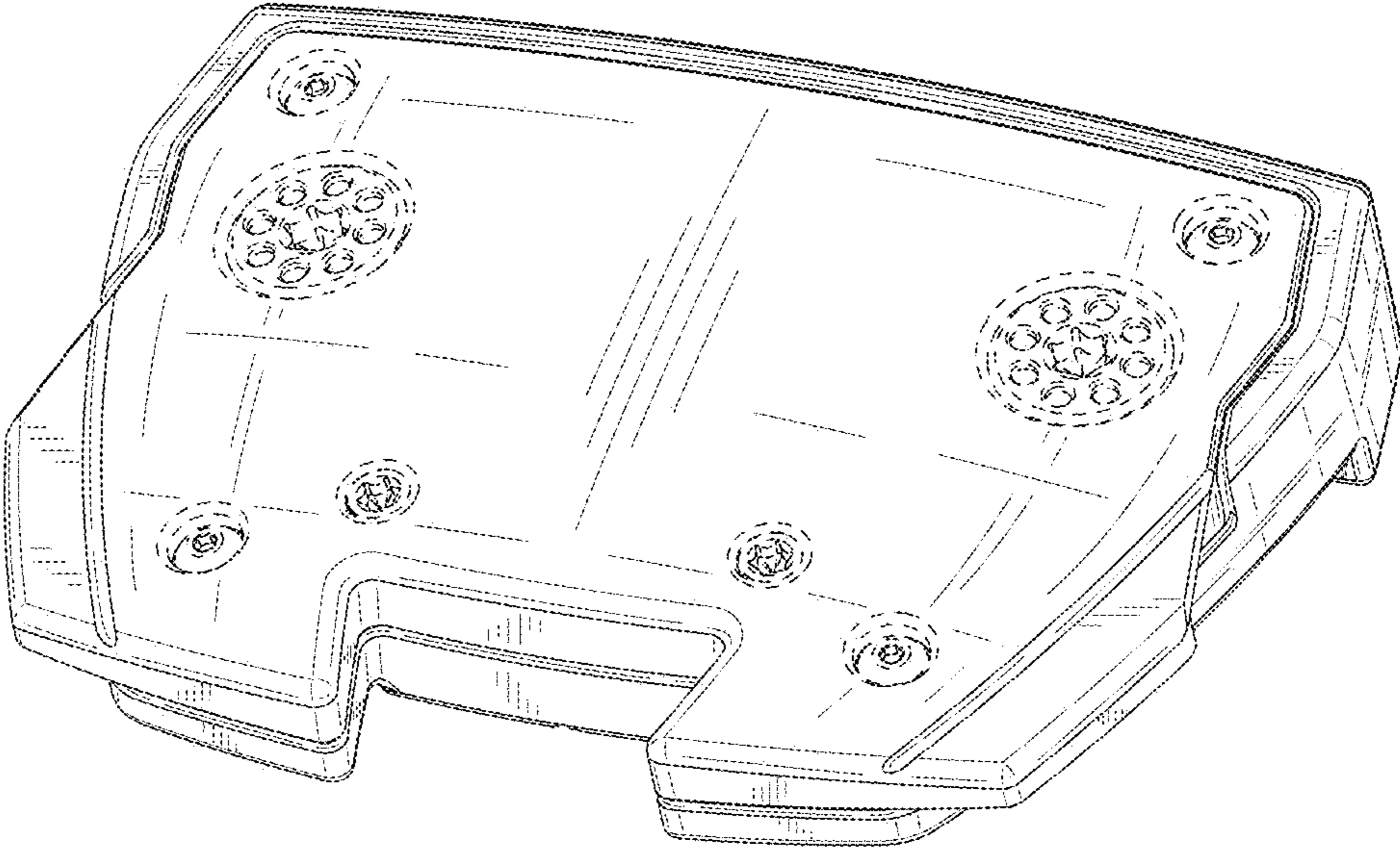
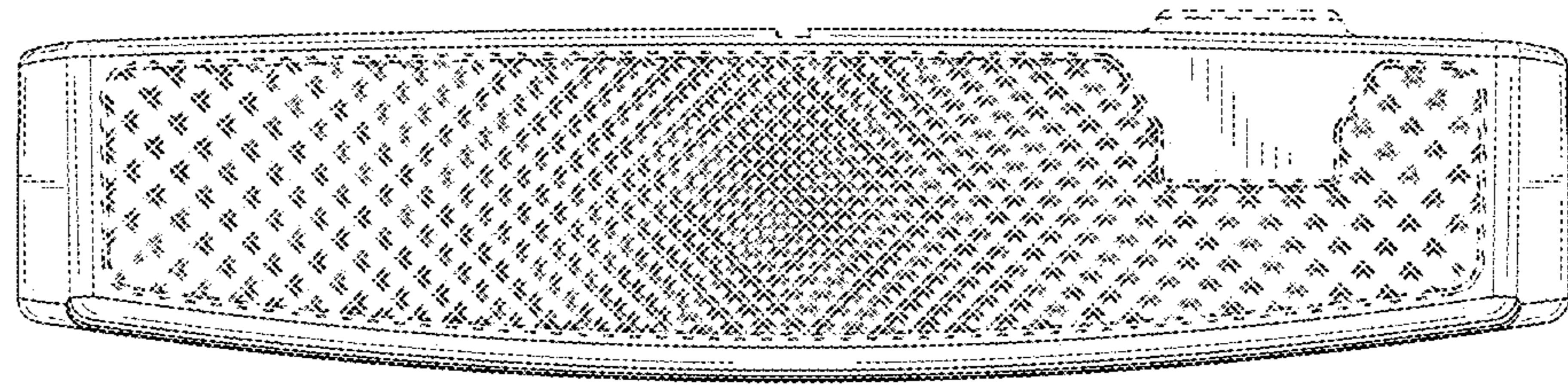
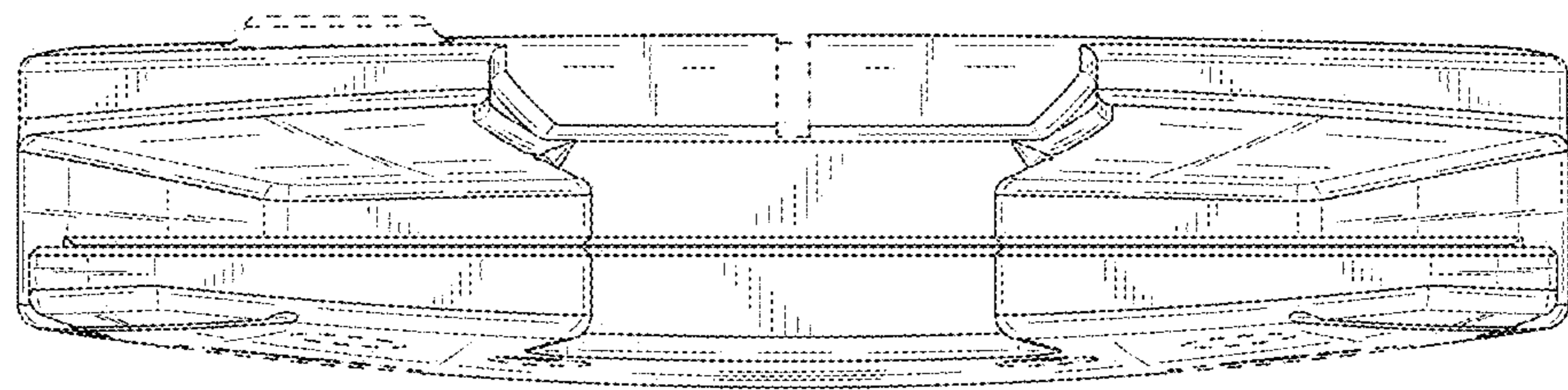


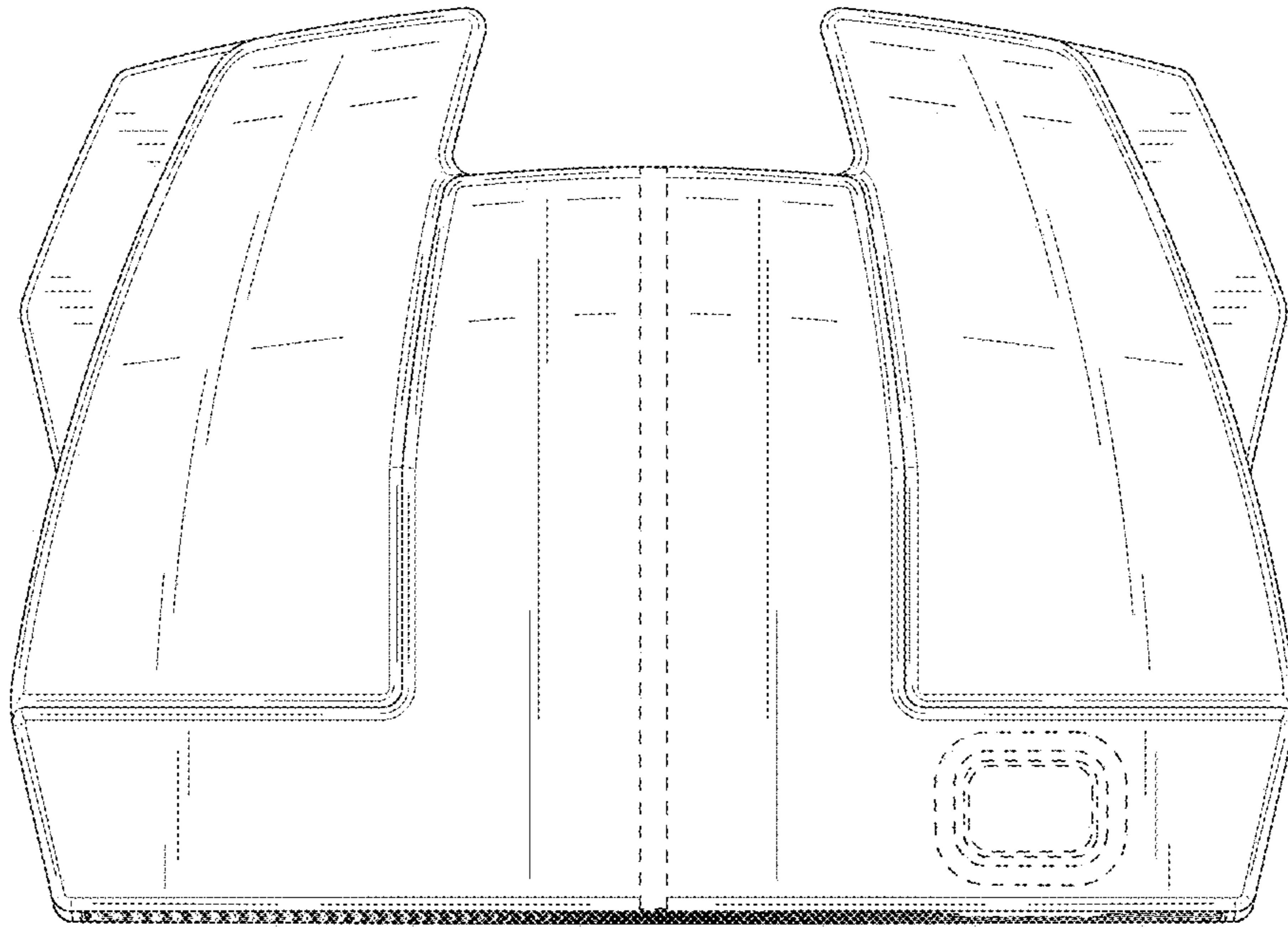
FIG. 2



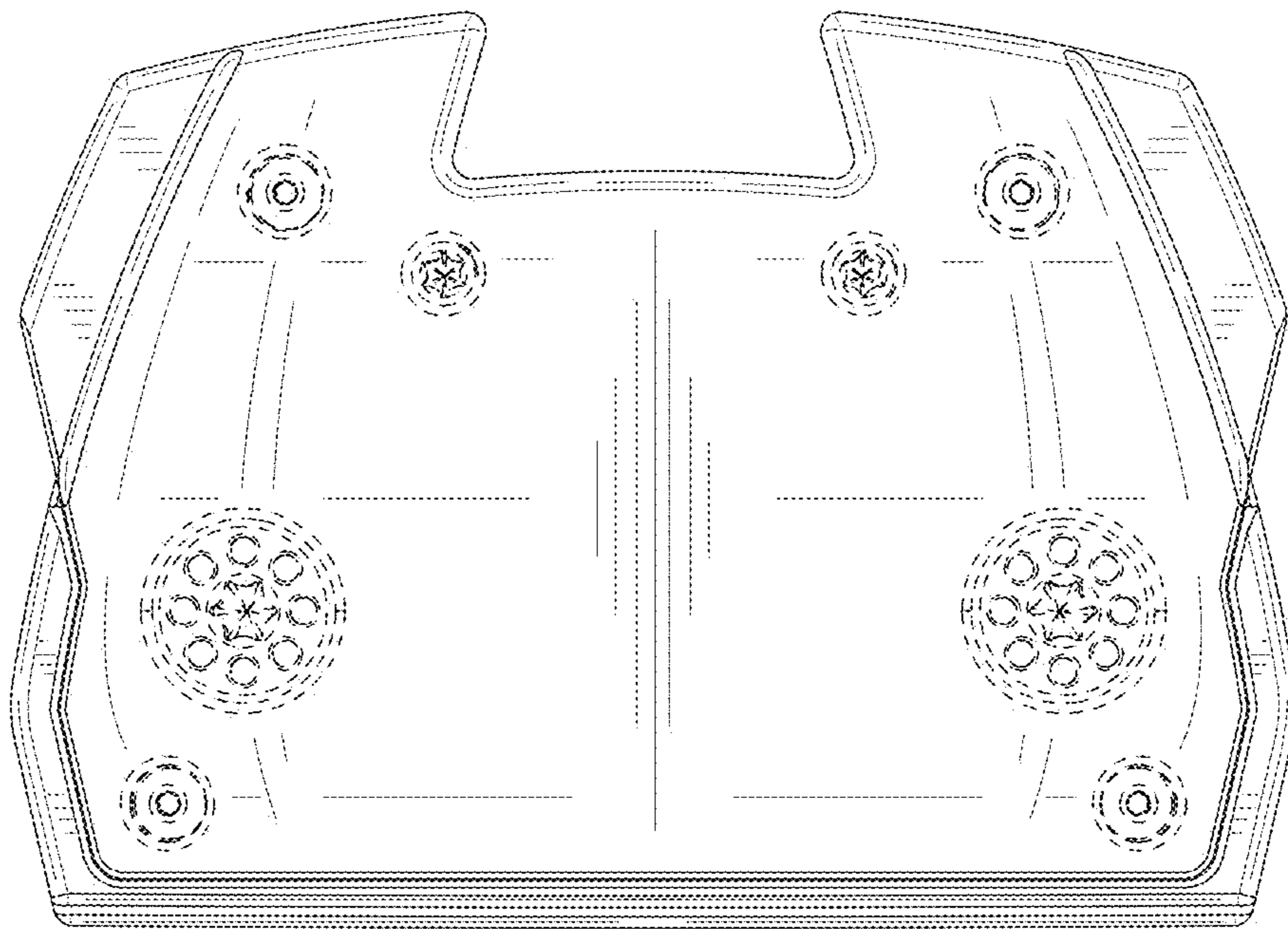
**FIG. 3**



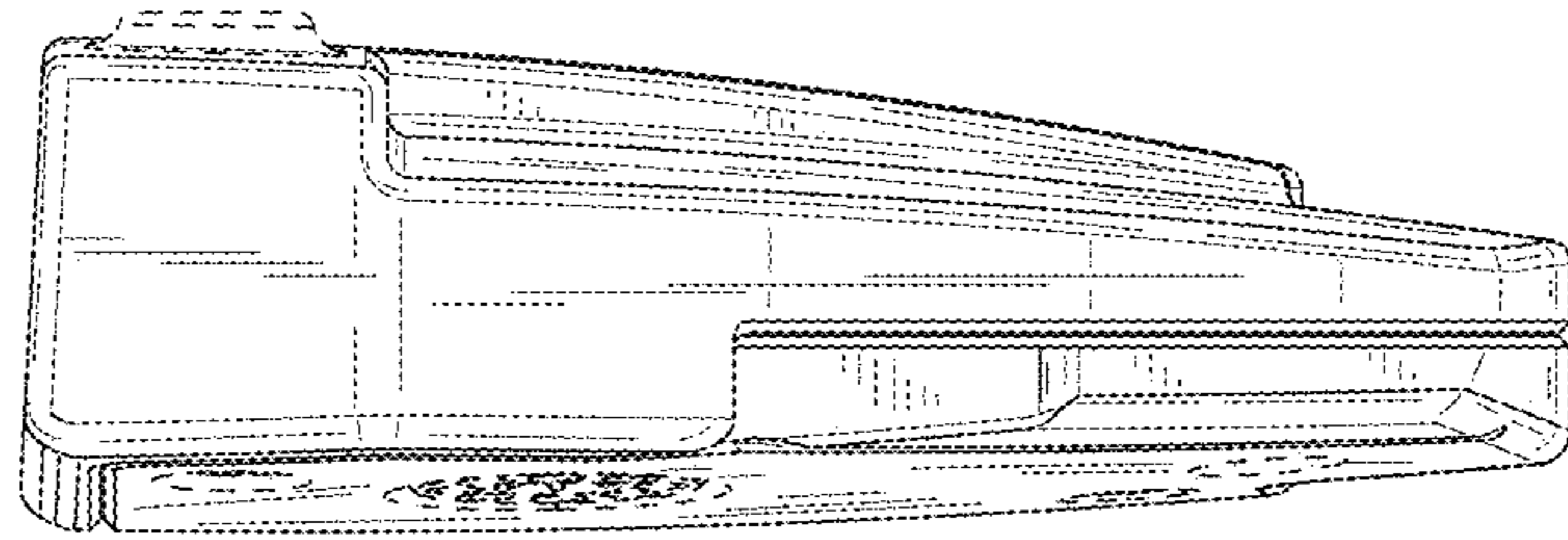
**FIG. 4**



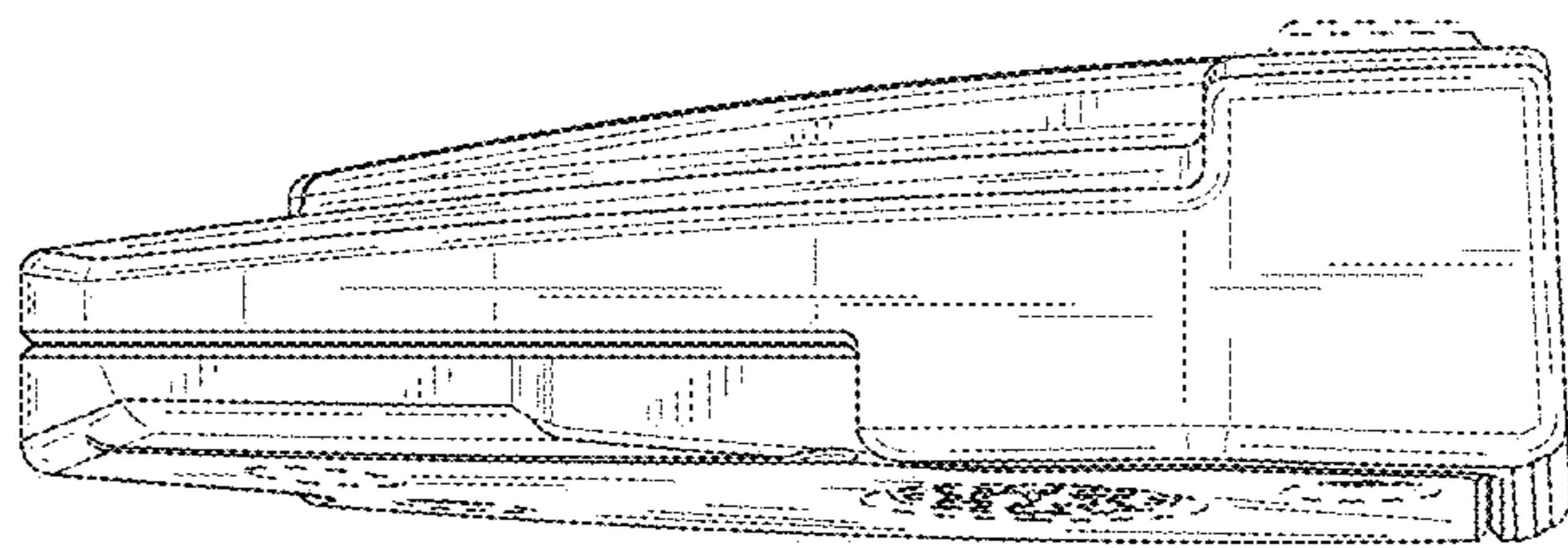
**FIG. 5**



**FIG. 6**



**FIG. 7**



**FIG. 8**