



US00D980356S

(12) **United States Design Patent** (10) **Patent No.:** **US D980,356 S**
Zhang (45) **Date of Patent:** **** Mar. 7, 2023**

(54) **AUTOMATIC BALL LAUNCHER**
(71) Applicant: **Jian Zhang**, Shanghai (CN)
(72) Inventor: **Jian Zhang**, Shanghai (CN)

D797,385 S * 9/2017 Hamill D30/160
10,117,419 B2 * 11/2018 Hamill A01K 15/025
D848,082 S 5/2019 Ward
2015/0321059 A1 * 11/2015 Hussey F41B 7/00
119/707
2017/0326428 A1 * 11/2017 Qian A01K 15/025

(**) Term: **15 Years**

OTHER PUBLICATIONS

(21) Appl. No.: **29/844,017**
(22) Filed: **Jun. 25, 2022**
(51) **LOC (14) Cl.** **21-02**
(52) **U.S. Cl.**
USPC **D21/720; D30/160**
(58) **Field of Classification Search**
USPC D21/720, 722-724, 454, 780, 315;
D30/160
CPC A63B 69/407; A63B 69/406; A63B 69/40;
A63B 2069/401; A63B 65/12; A63B
69/0002; A63B 69/0015; A63B
2069/0008; A63B 2069/0011; A63B
47/002; A01K 15/025; A01K 15/027
See application file for complete search history.

Bestzone Interactive Automatic Ball Launcher for Dogs. Date First Available: Jul. 8, 2022. Retrieved from internet: <<https://www.amazon.com.au/BESTZONE-Interactive-Automatic-Launcher-Included/dp/B09XLJBZTK>> [site visited Oct. 31, 2022] (Year: 2022).*

Greenvine Automatic Dog Ball Launcher. Date First Available: Mar. 31, 2022. Retrieved from internet: <<https://www.amazon.com.au/dp/B09STP24JD/>> [site visited Oct. 31, 2022] (Year: 2022).*

* cited by examiner

Primary Examiner — Katherine Glennon
Assistant Examiner — Yuan Yuan

(57) **CLAIM**

The ornamental design for an automatic ball launcher, as shown and described.

(56) **References Cited**

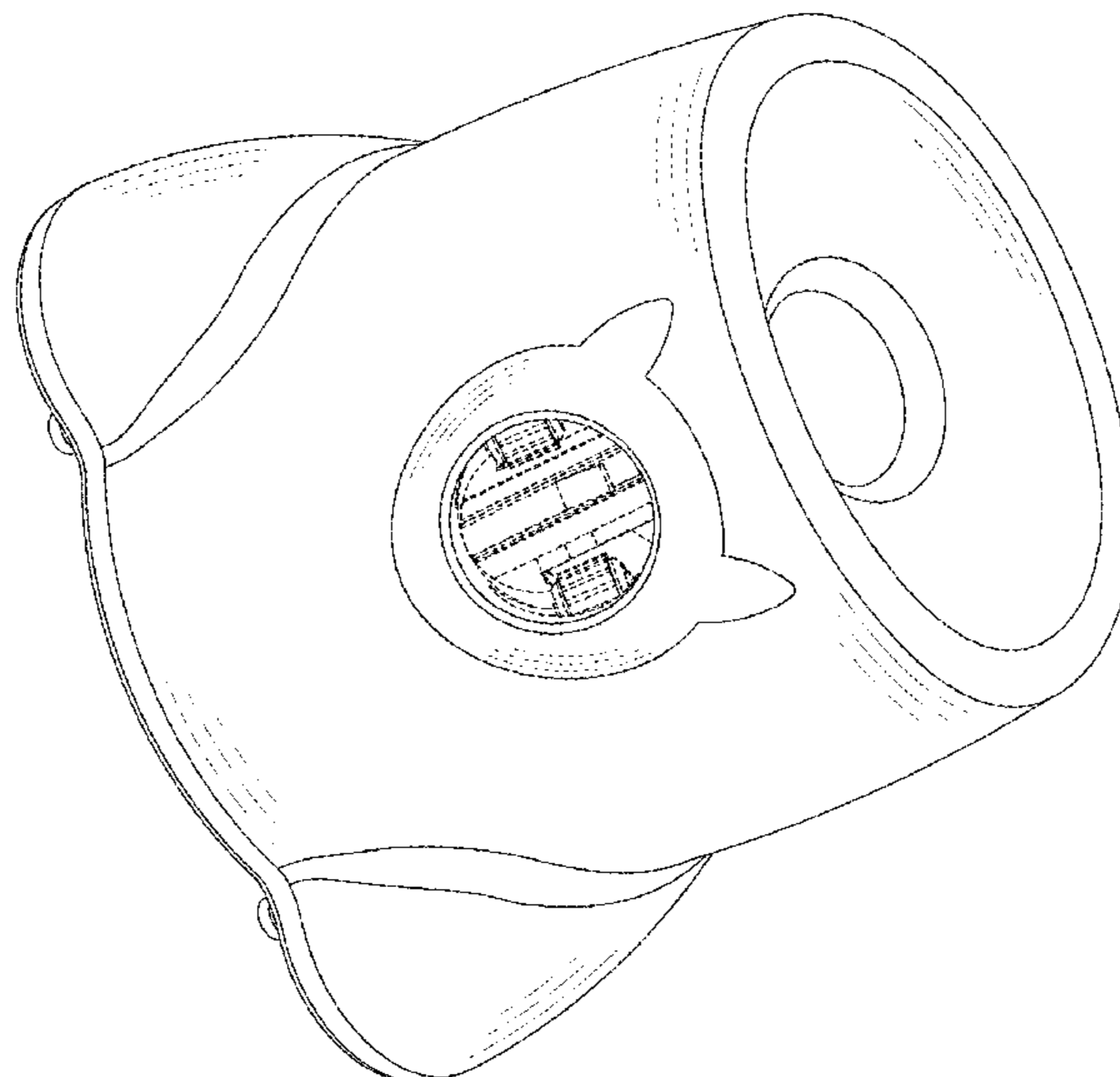
U.S. PATENT DOCUMENTS

4,094,294 A * 6/1978 Speer F41B 11/53
124/56
6,190,271 B1 * 2/2001 Rappaport A63B 69/0002
124/78
6,817,351 B2 * 11/2004 Keller F41B 3/04
273/447
6,875,136 B2 * 4/2005 Leal A63B 69/0002
124/16
7,445,003 B2 * 11/2008 Smith A63B 69/406
124/78
D626,611 S 11/2010 Magnone
D641,437 S * 7/2011 Nugent D21/722
9,022,016 B1 * 5/2015 Hafer F41B 4/00
124/78
9,339,716 B1 * 5/2016 Ward A63B 69/407
D794,878 S * 8/2017 Hussey D30/160

DESCRIPTION

FIG. 1 is a top and front side perspective view of an automatic ball launcher, showing my new design;
FIG. 2 is a bottom and back side perspective view thereof;
FIG. 3 is a front view thereof;
FIG. 4 is a back view thereof;
FIG. 5 is a left view thereof;
FIG. 6 is a right view thereof;
FIG. 7 is a top view thereof; and,
FIG. 8 is a bottom view thereof.
The broken lines in the figures depict portions of the automatic ball launcher that form no part of the claimed design.

1 Claim, 8 Drawing Sheets



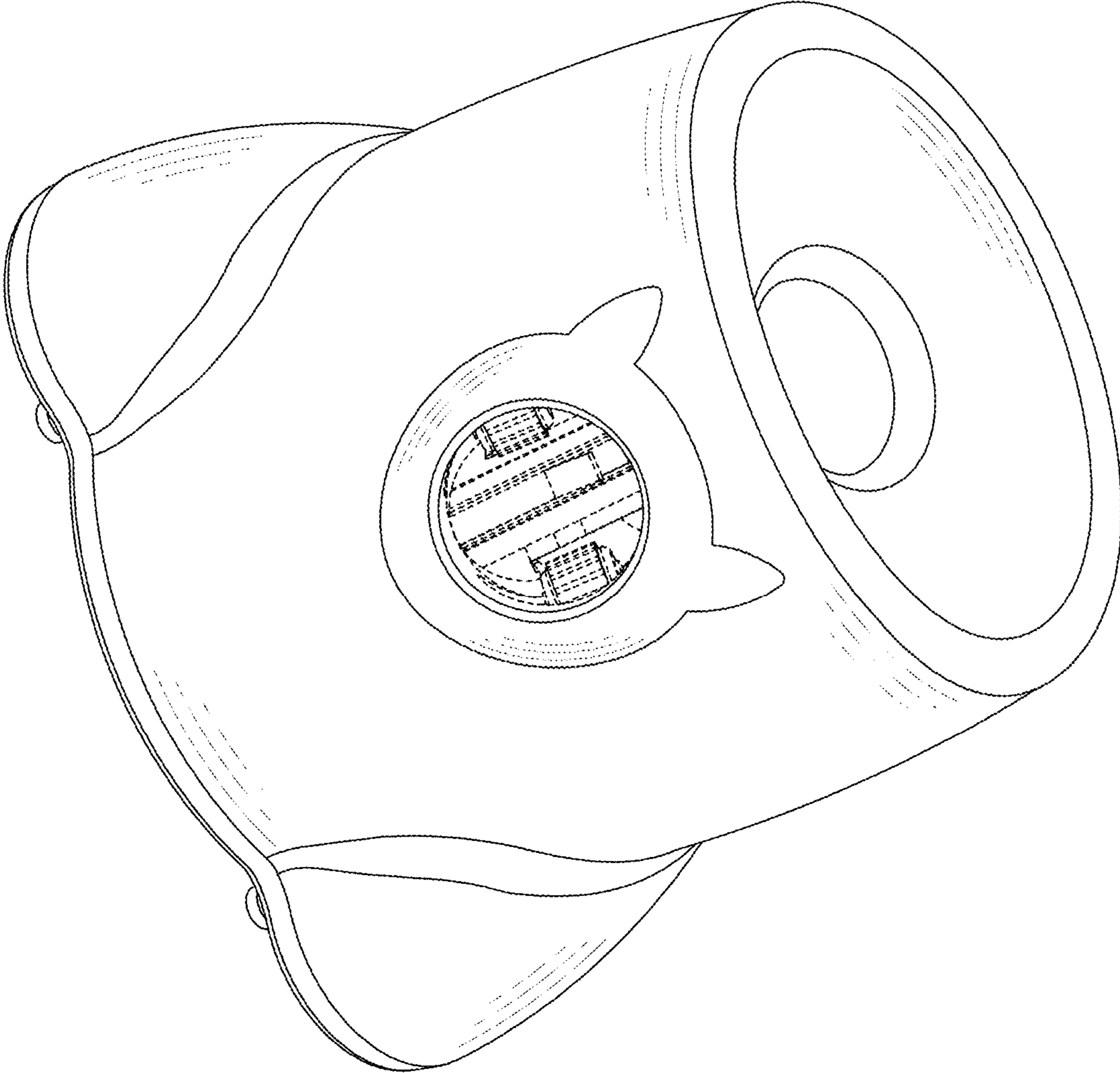


FIG. 1

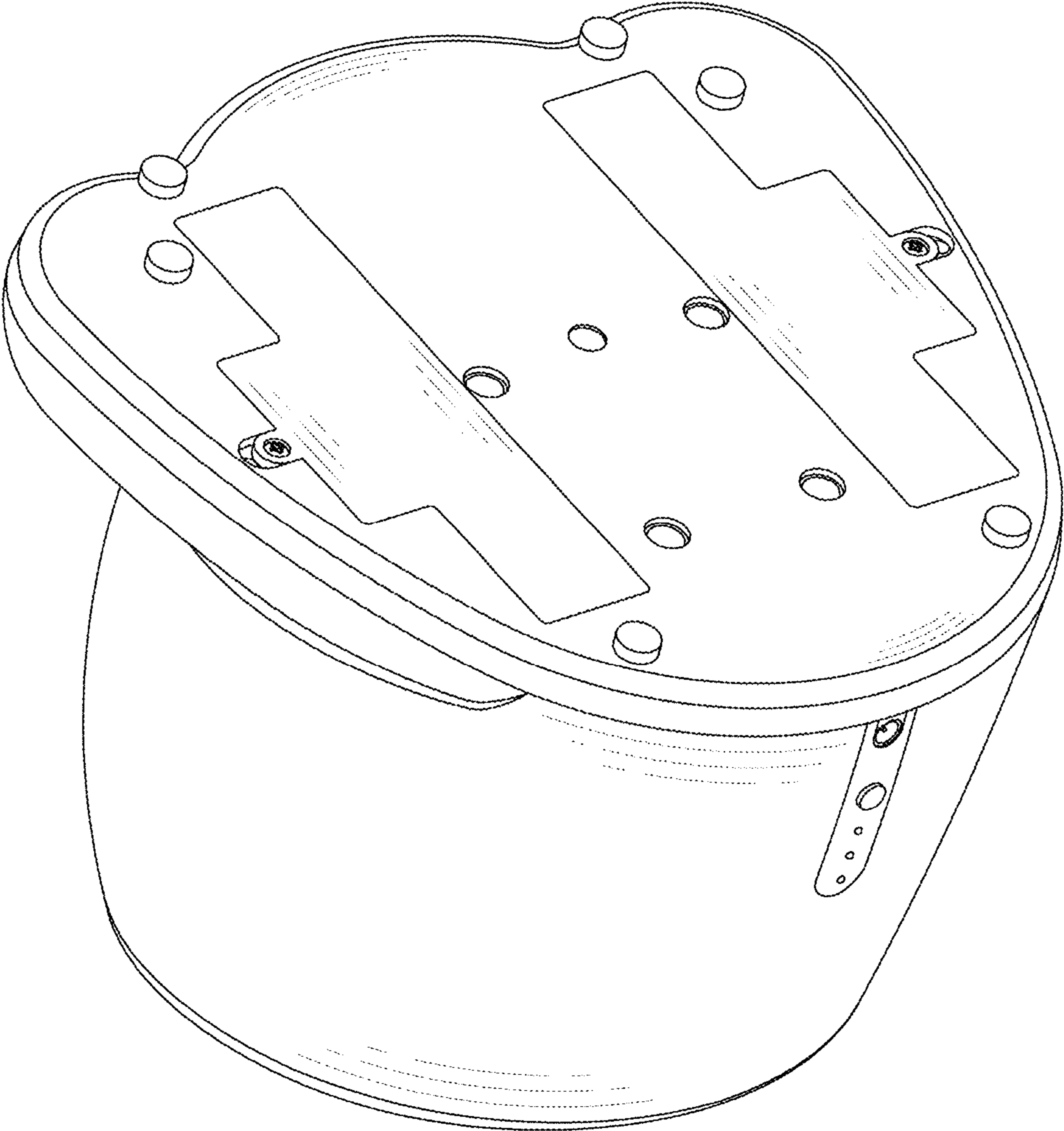


FIG. 2

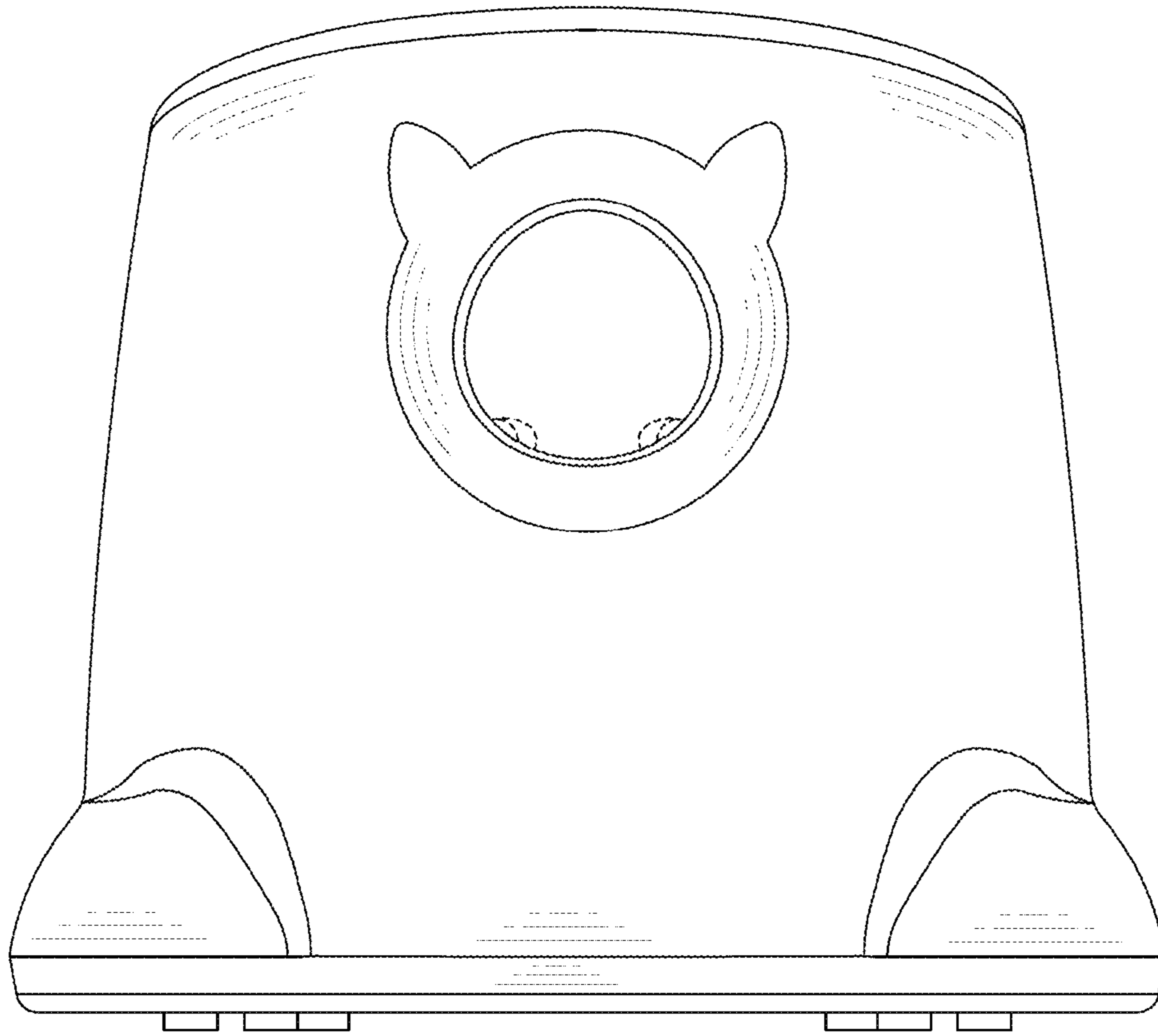


FIG. 3

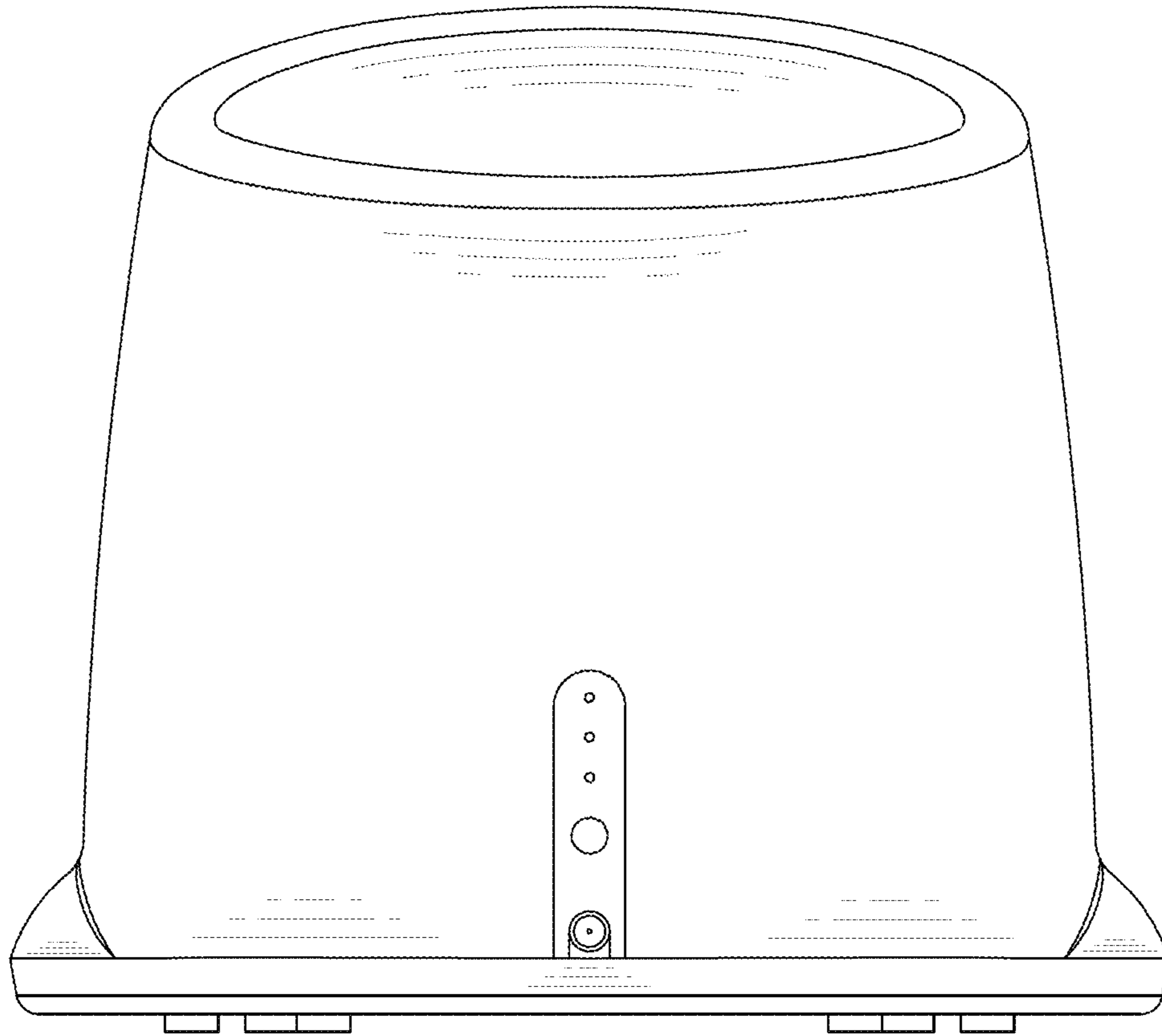


FIG. 4

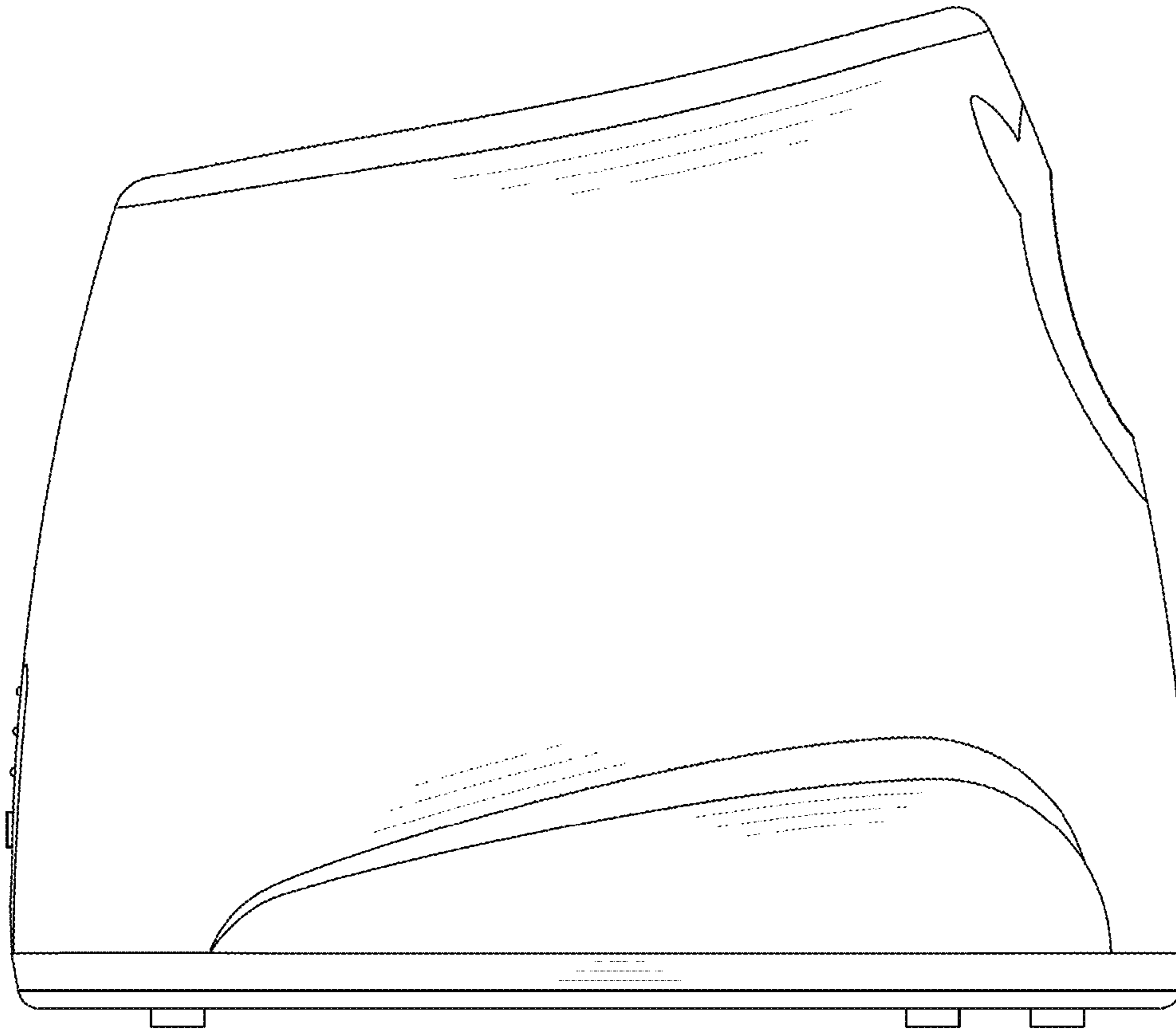


FIG. 5

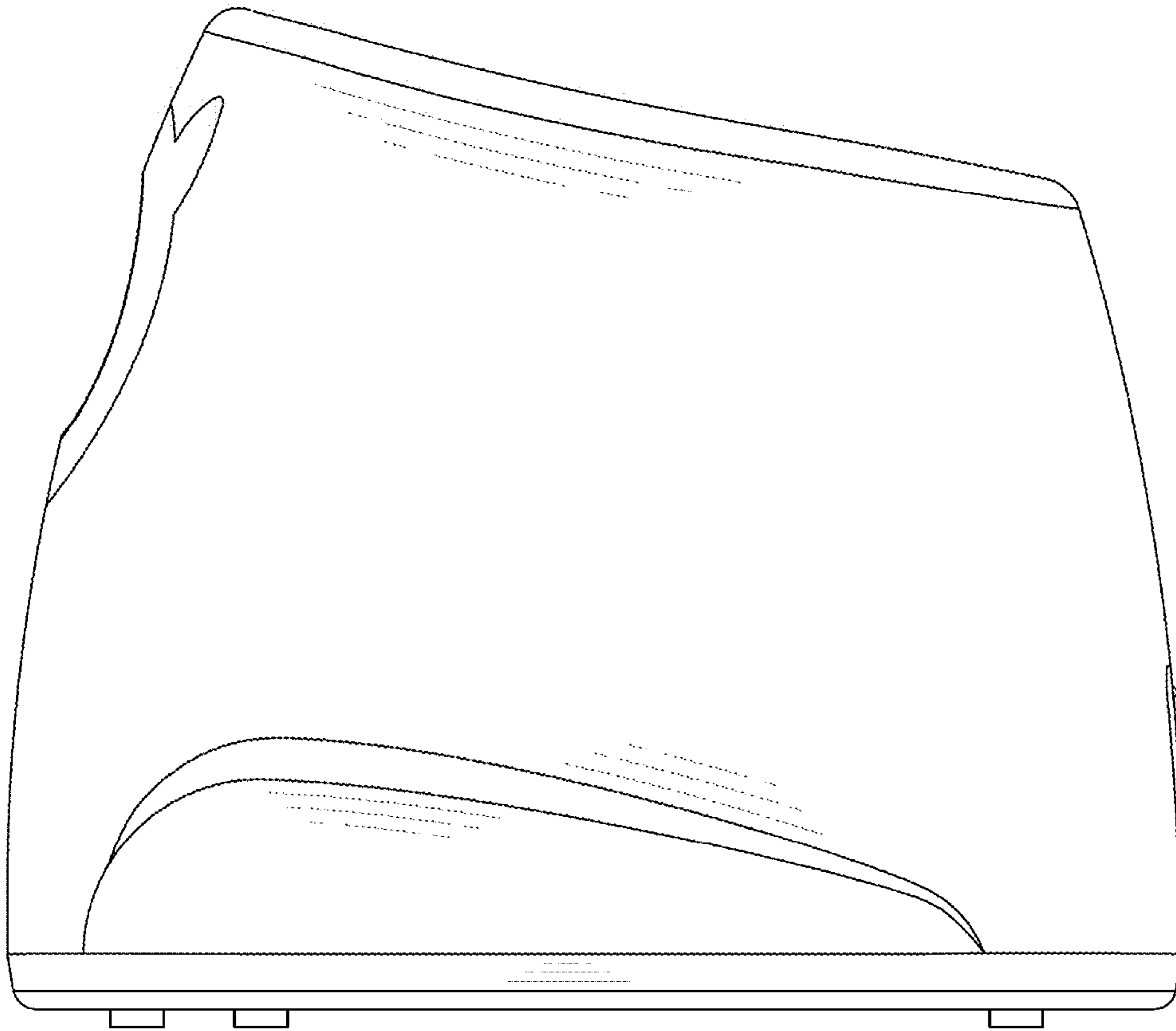


FIG. 6

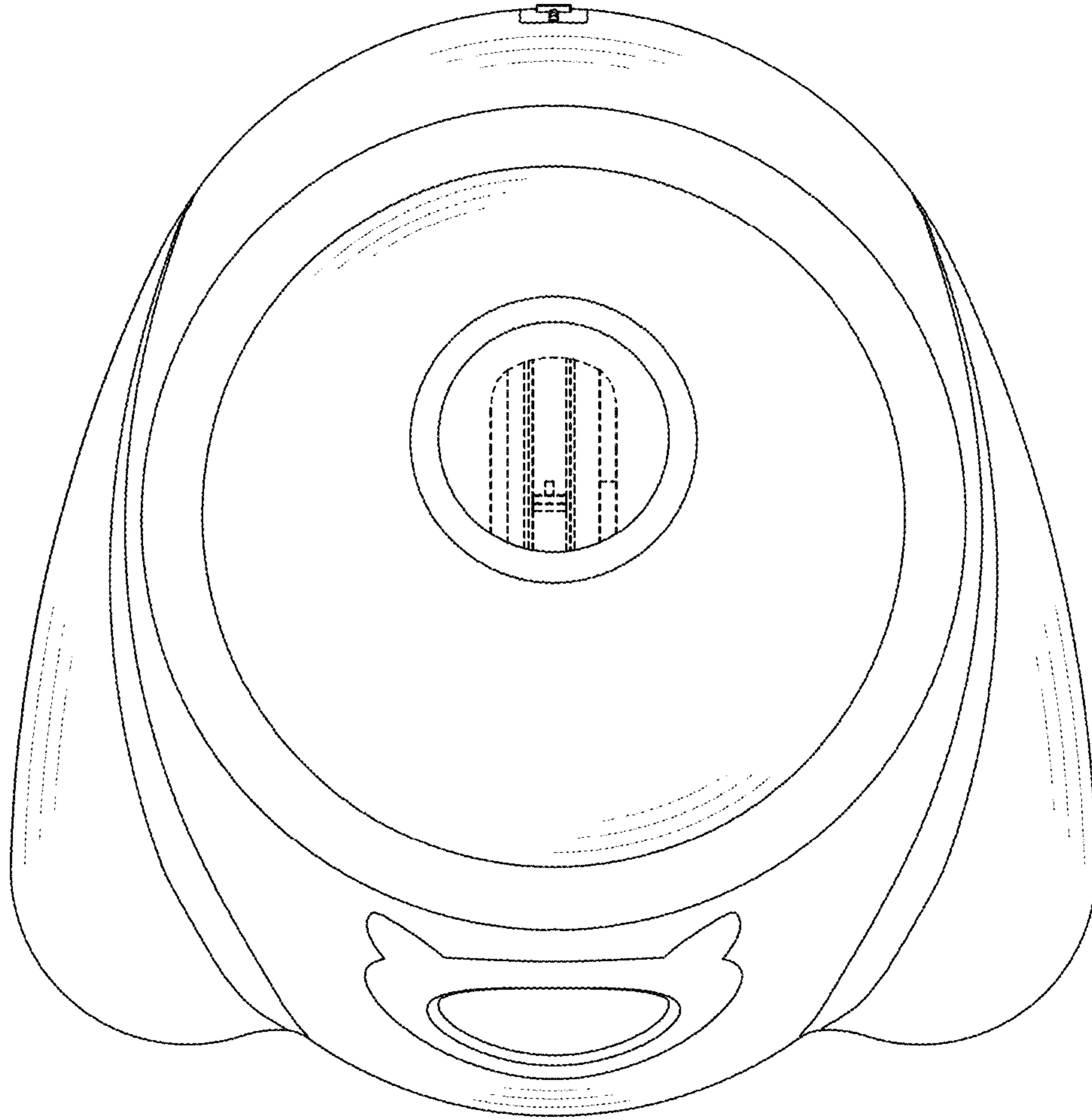


FIG. 7

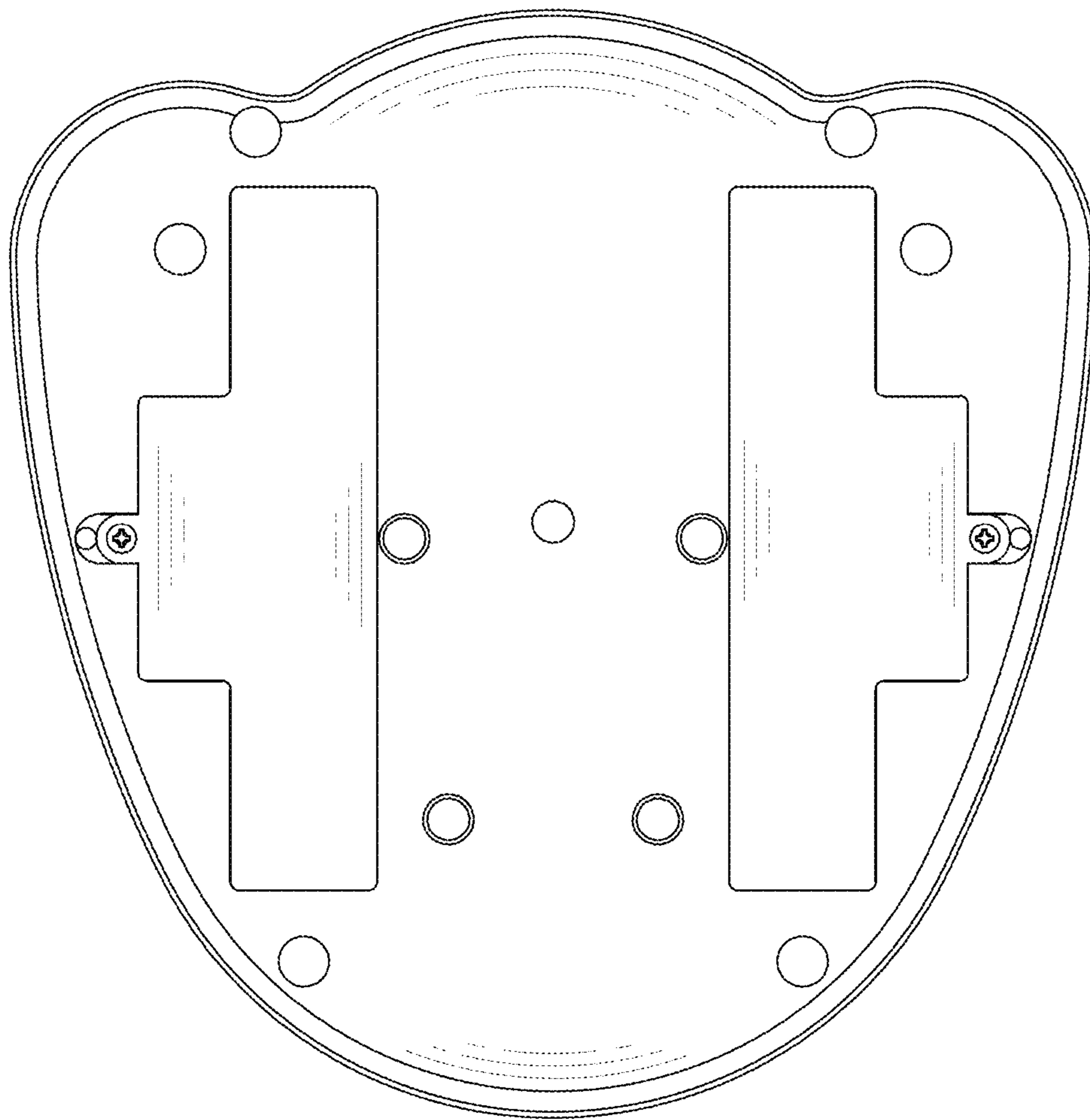


FIG. 8