



US00D980355S

(12) **United States Design Patent**
Jaquish et al.

(10) **Patent No.:** **US D980,355 S**
(45) **Date of Patent:** **** Mar. 7, 2023**

- (54) **EXERCISE APPARATUS**
- (71) Applicant: **Jaquish Biomedical Corporation**,
Nevada City, CA (US)
- (72) Inventors: **John Paul Jacquish**, Nevada City, CA
(US); **Paul Edward Jacquish**, Nevada
City, CA (US); **Henry David Alkire**,
Nevada City, CA (US)
- (73) Assignee: **Jaquish Biomedical Corporation**,
Nevada City, CA (US)
- (**) Term: **15 Years**
- (21) Appl. No.: **29/813,392**
- (22) Filed: **Oct. 28, 2021**

D287,283 S 12/1986 Johnson
 D289,538 S 4/1987 Wilson
 D309,933 S 8/1990 Brown, Jr.
 D320,428 S 10/1991 Rust
 (Continued)

FOREIGN PATENT DOCUMENTS

EP 2764896 A1 8/2014
 KR 10200000 5/2000

OTHER PUBLICATIONS

Jaquishbiomedical, "GH Accelerator", Nov. 13, 2019. <https://www.jaquishbionmedical.com/products/gh-accelerator/#reviews>. Shown on p. 1. (Year: 2019).

(Continued)

Primary Examiner — Khawaja Anwar
Assistant Examiner — Julice Seung Eun Oum
 (74) *Attorney, Agent, or Firm* — Morgan, Lewis & Bockius LLP

Related U.S. Application Data

- (62) Division of application No. 29/712,411, filed on Nov. 7, 2019, now Pat. No. Des. 937,369.
- (51) **LOC (14) Cl.** **21-02**
- (52) **U.S. Cl.**
USPC **D21/686**
- (58) **Field of Classification Search**
USPC D21/694, 686, 679, 669, 695, 690, 676,
D21/671, 662
See application file for complete search history.

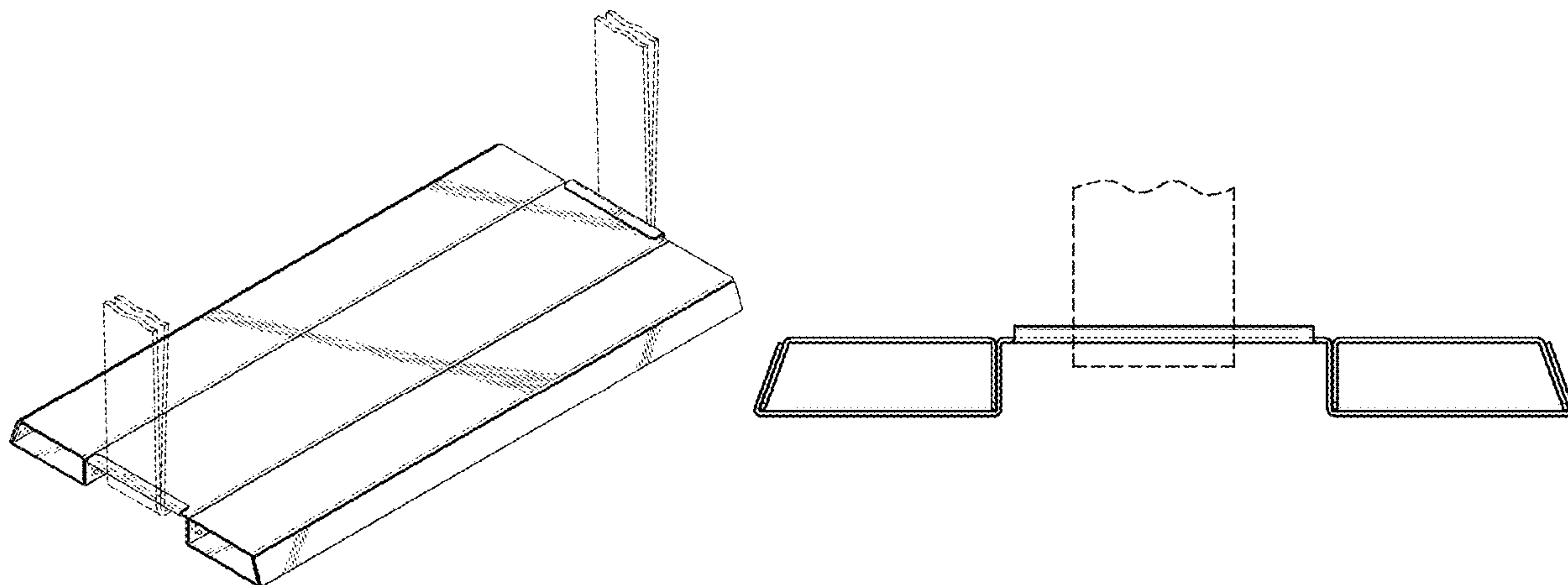
(57) **CLAIM**

The ornamental design for an exercise apparatus, as shown and described.

DESCRIPTION

FIG. 1 is a perspective view of an embodiment of our new design of an exercise apparatus;
 FIG. 2 is a front view of the design of FIG. 1;
 FIG. 3 is a back view of the design of FIG. 1;
 FIG. 4 is a top view of the design of FIG. 1;
 FIG. 5 is a bottom view of the design of FIG. 1;
 FIG. 6 is a first side view of the design of FIG. 1; and,
 FIG. 7 is a second side view of the design of FIG. 1.
 The broken lines illustrating the band in the above described Figures are for illustrative purposes only and form no part of the claimed design.

1 Claim, 7 Drawing Sheets



(56)

References Cited

U.S. PATENT DOCUMENTS

D330,057 S 10/1992 Saunders
 D330,234 S 10/1992 Saunders
 D330,235 S 10/1992 Traetta
 5,154,678 A 10/1992 Adamczyk
 5,178,596 A 1/1993 McIntire
 5,197,934 A 3/1993 Wirtz
 5,213,554 A 5/1993 Goldstein
 D337,362 S 7/1993 Goldstein
 5,226,865 A 7/1993 Chin
 D339,179 S 9/1993 Wilkinson
 D339,619 S 9/1993 Bugnaski
 D342,298 S 12/1993 Schnabel, Jr.
 D342,771 S 12/1993 Tandberg
 D349,540 S 8/1994 Hand
 D353,419 S 12/1994 Sprague
 D353,637 S 12/1994 Huang
 5,472,390 A 12/1995 Faye
 D365,861 S 1/1996 Moss, Jr.
 D369,627 S 5/1996 Thor
 5,514,058 A 5/1996 Buoni
 D371,176 S 6/1996 Furner
 5,540,642 A 7/1996 Sprague
 5,645,511 A 7/1997 Le Roux
 5,653,665 A 8/1997 Neeley
 D385,262 S * 10/1997 Hughes D14/417
 5,688,213 A 11/1997 Recker
 5,746,687 A 5/1998 Vial
 5,776,041 A 7/1998 Fisher
 5,885,196 A 3/1999 Gvoich
 D408,555 S 4/1999 Albrecht
 5,916,036 A * 6/1999 Hamilton A63B 69/3667
 473/409
 6,203,476 B1 3/2001 Wang et al.
 6,280,366 B1 8/2001 Hsieh
 D474,818 S 5/2003 Yu
 D482,748 S 11/2003 Flynt
 D495,379 S 8/2004 Dubus
 D498,654 S * 11/2004 Smith D8/91
 D519,172 S 4/2006 Penat
 7,052,449 B2 5/2006 Chen
 D526,367 S 8/2006 Loccarini
 7,175,574 B2 2/2007 Carmel et al.
 D542,867 S 5/2007 Teruo
 D556,841 S 12/2007 Oates
 D564,604 S 3/2008 Mikail
 7,387,599 B1 6/2008 Hsu
 D576,007 S 9/2008 Murdock
 D583,883 S 12/2008 Thomas
 D590,457 S 4/2009 Mishan
 7,578,775 B2 8/2009 Terry
 7,601,101 B2 10/2009 Jackson
 D604,374 S 11/2009 Bizzell
 D610,638 S 2/2010 Friess
 D619,669 S * 7/2010 Mesirow D21/797
 D623,245 S * 9/2010 Evans D21/686
 D626,607 S 11/2010 Kim
 D629,291 S 12/2010 Veilleux
 D633,155 S 2/2011 Brun
 7,922,624 B1 4/2011 Fairhurst
 D655,356 S 3/2012 Sandman
 D657,008 S 4/2012 Markovic
 D670,345 S 11/2012 Guarrasi
 D680,599 S 4/2013 Orenstein
 D681,138 S 4/2013 Hodgkins
 D681,750 S 5/2013 Meyer-Hayoz
 D682,374 S 5/2013 Wilkinson
 D694,348 S 11/2013 Rankin
 D695,367 S 12/2013 Lovegrove
 8,870,722 B2 10/2014 Kassel

D717,381 S 11/2014 Orenstein
 D723,637 S 3/2015 Mercado
 D724,163 S 3/2015 Kelley
 D733,226 S 6/2015 Abbate
 D739,481 S * 9/2015 Glickfield D21/671
 D748,744 S 2/2016 Hansen
 D748,745 S 2/2016 Hansen
 9,254,405 B1 2/2016 Marji
 D764,607 S 8/2016 Beckford
 D778,374 S 2/2017 Jaquish
 D785,106 S 4/2017 Panes
 D785,731 S 5/2017 Stack
 D798,396 S 9/2017 Agate
 D802,153 S 11/2017 Kelly
 D804,590 S 12/2017 Hillson
 D806,806 S 1/2018 Chen
 D825,696 S 8/2018 Mercenari Uribe
 D825,697 S 8/2018 Mercenari Uribe
 D834,115 S 11/2018 Gilbert
 D842,940 S 3/2019 Harden
 D849,857 S 5/2019 Tartell
 D853,505 S 7/2019 Toueg
 D854,635 S 7/2019 Dunahay
 D855,718 S 8/2019 Hsu
 D863,469 S * 10/2019 Tartell D21/686
 D864,316 S 10/2019 Brown
 D865,084 S 10/2019 Croxton
 D875,194 S 2/2020 Zhou
 D878,186 S 3/2020 Toye
 D902,834 S 11/2020 Kern
 D915,531 S * 4/2021 Dunahay D21/671
 D916,213 S * 4/2021 Dunahay D21/671
 D922,180 S 6/2021 Huawei
 D922,181 S 6/2021 Wildrick
 D954,865 S * 6/2022 Tartell D21/686
 2002/0055424 A1 * 5/2002 Brown A63B 23/03533
 482/91
 2002/0137609 A1 9/2002 Rosati
 2005/0101453 A1 5/2005 Jeneve
 2005/0239617 A1 10/2005 Tenaglia
 2006/0128540 A1 6/2006 Engle
 2007/0207903 A1 9/2007 Csabai
 2007/0207905 A1 9/2007 Winston
 2009/0093349 A1 4/2009 Cooper
 2010/0227747 A1 9/2010 Cook
 2011/0207583 A1 8/2011 Elpers
 2011/0256987 A1 10/2011 Lepore
 2014/0228180 A1 8/2014 Walker
 2014/0336019 A1 11/2014 Villella
 2015/0367159 A1 12/2015 Harris
 2016/0199689 A1 7/2016 Irwin
 2017/0050075 A1 * 2/2017 Davies A63B 21/4037
 2017/0080284 A1 3/2017 Hillson
 2018/0236299 A1 8/2018 Warriner
 2019/0069650 A1 3/2019 Walker
 2019/0217147 A1 7/2019 Garcia

OTHER PUBLICATIONS

Jaquishbiomedical, "X Bar Elite", Apr. 20, 2020. <https://www.jaquishbiomedical.com/products/>. Shown on p. 1. (Year 2020).
 Youtube, "Introducing the GHAccelerator", Nov. 12, 2018. <https://www.youtube.com/watch?v=IL-CahGcpOl>. Shown at the 2:00 minute mark. (Year: 2018).
 GoFit bar, announced 2016 [online], [site visited May 3, 2021]. Available on internet: https://www.amazon.com/Go-Fit-RAB-Resistance-Traini-ng-Bar/dp/B01MTM7N97/ref=sr_1_31?dchild=1&keywords=exercise+bar+with+hook&qid=1619657583&s=sporting-goods&sr=1-31 (Year: 2016).

* cited by examiner

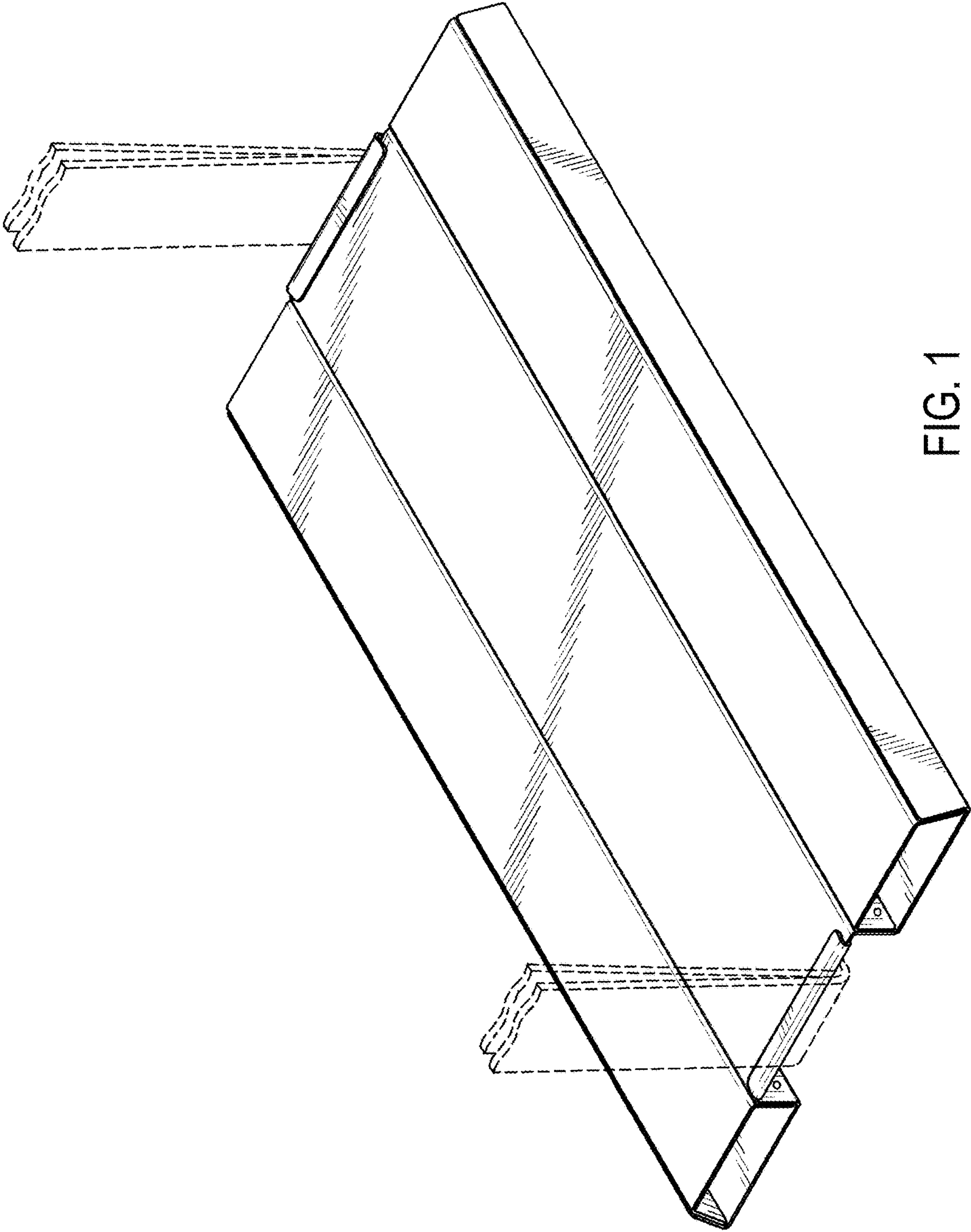


FIG. 1

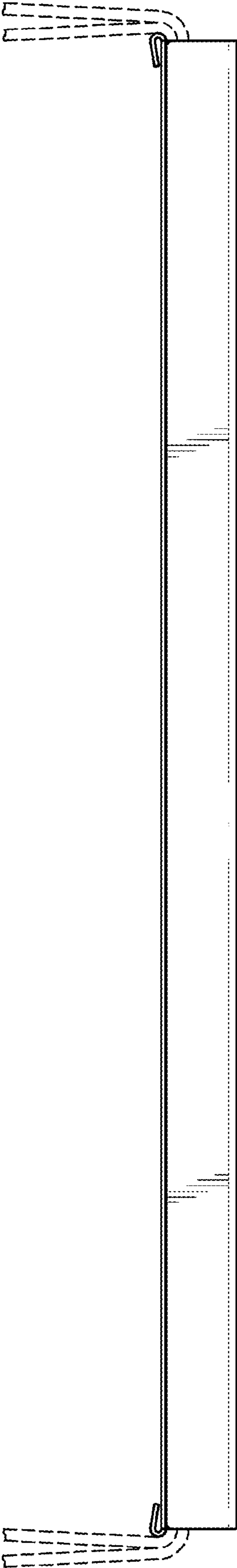


FIG. 2

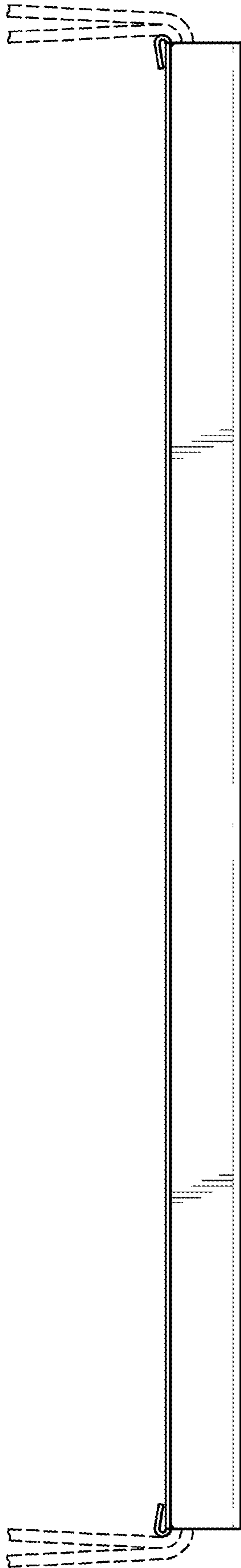


FIG. 3

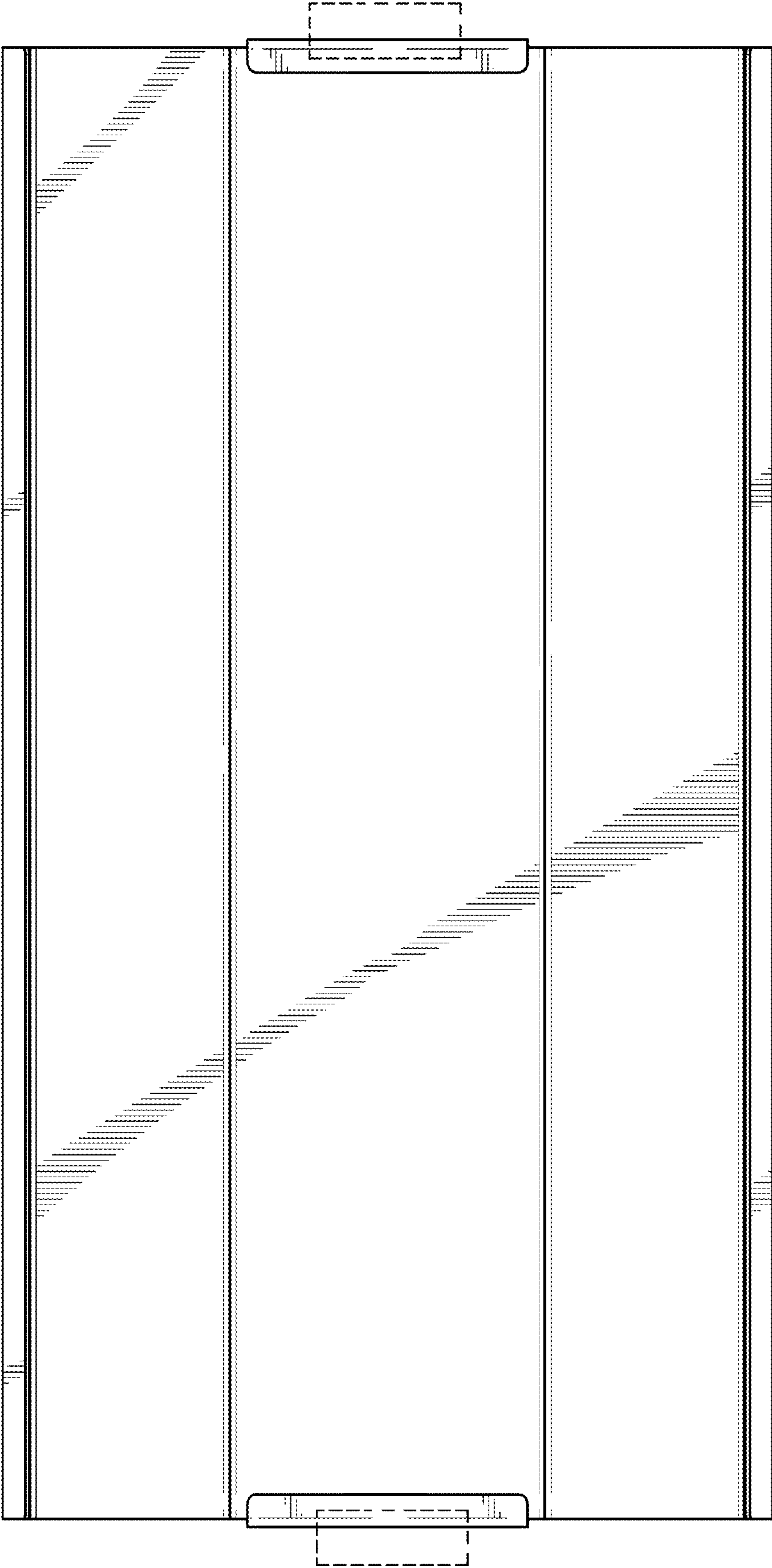


FIG. 4

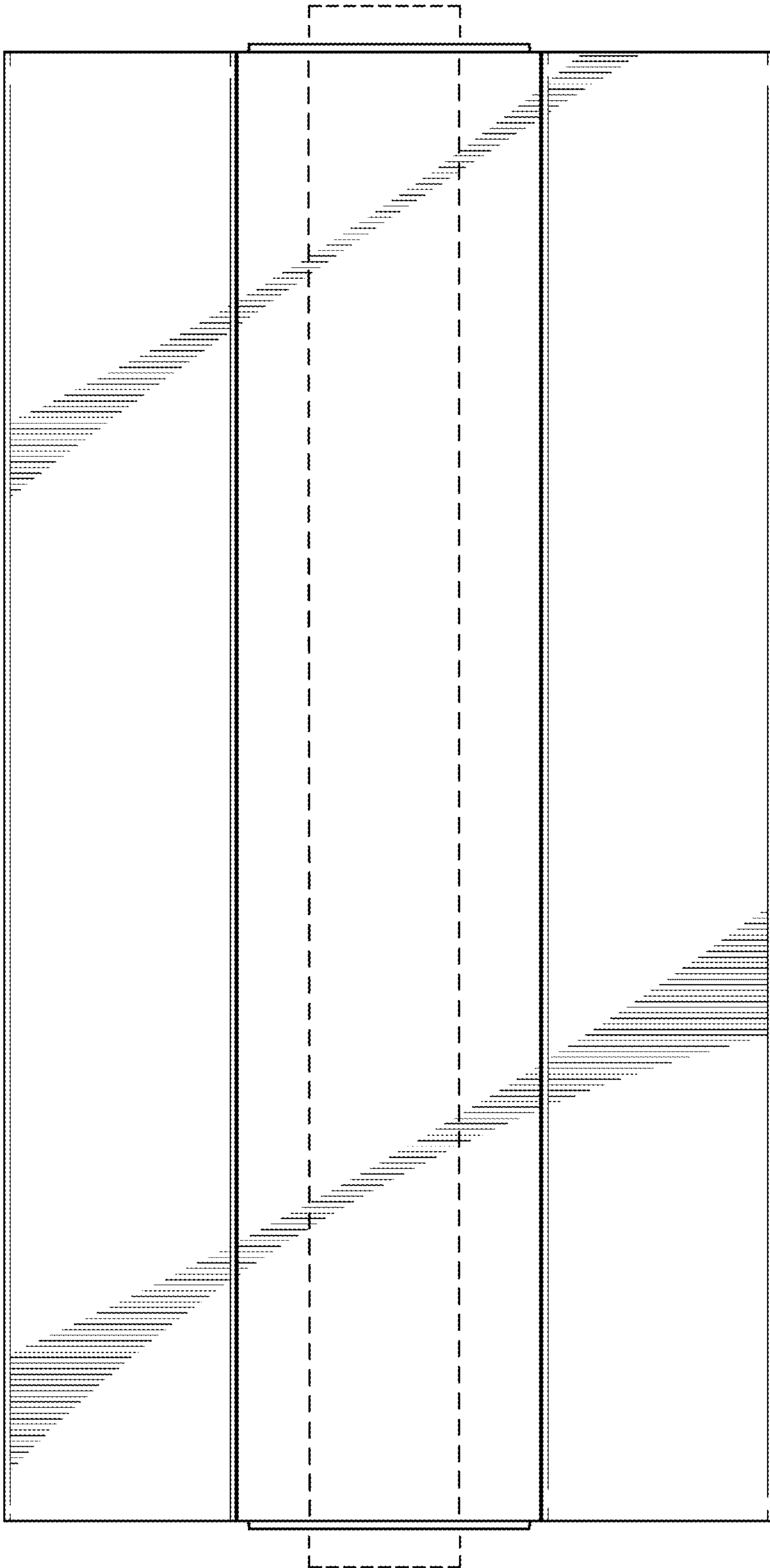


FIG. 5

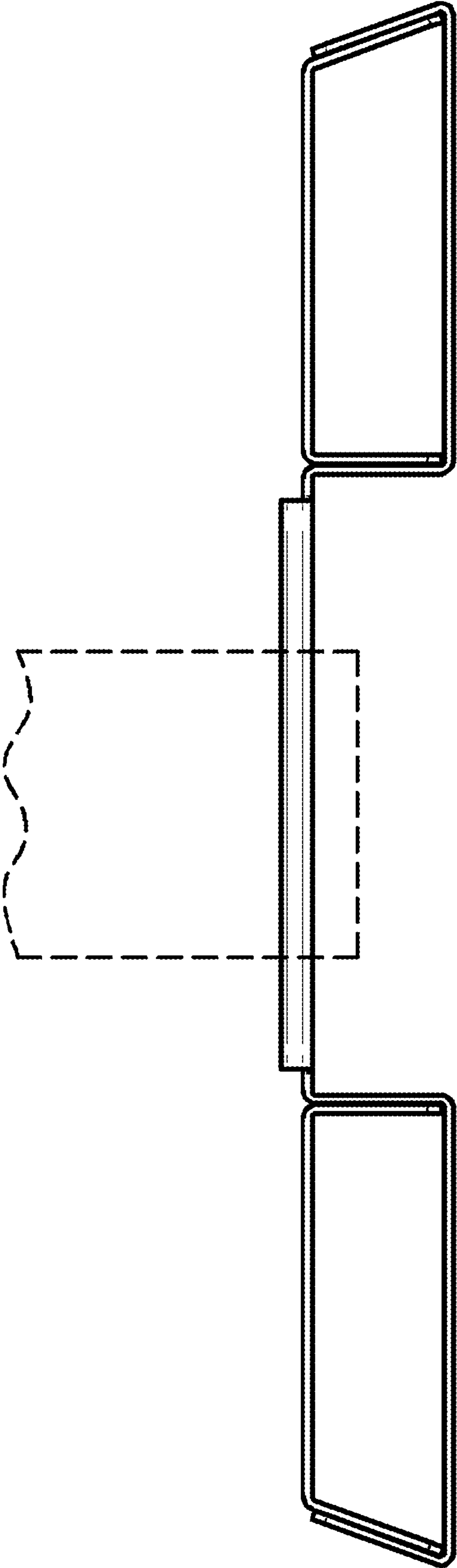


FIG. 6

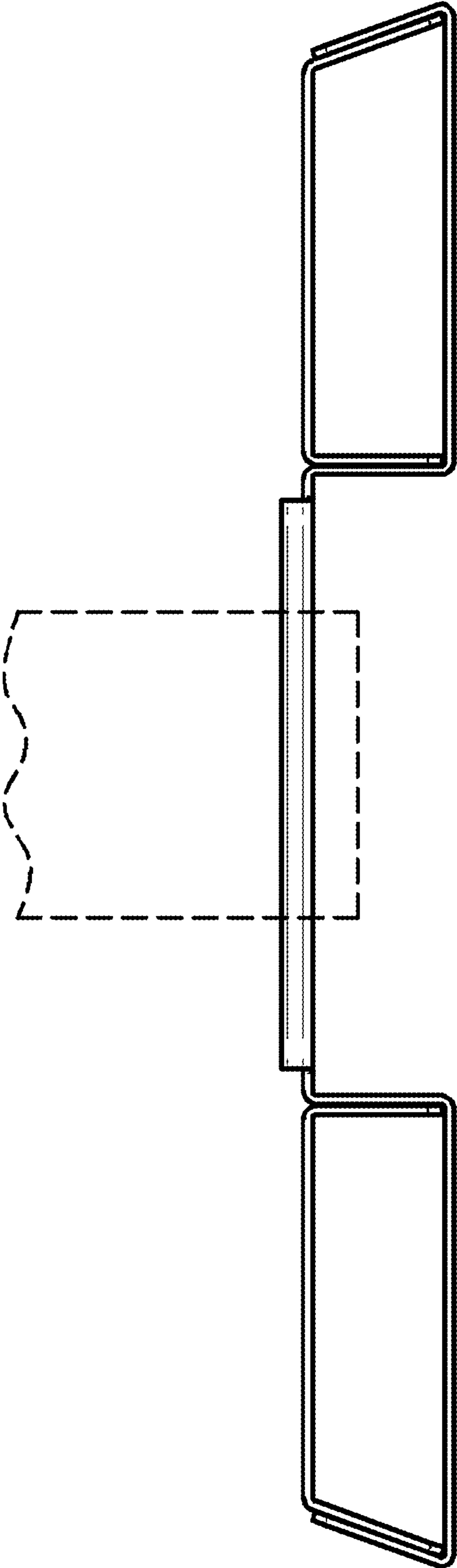


FIG. 7