



US00D980354S

(12) **United States Design Patent** (10) **Patent No.:** **US D980,354 S**
Gong (45) **Date of Patent:** **** Mar. 7, 2023**

(54) **FITNESS EQUIPMENT**

(71) Applicant: **XAVORK WOOLIAND INC.**,
Gresham, OR (US)
(72) Inventor: **Hengjie Gong**, Ningbo (CN)
(**) Term: **15 Years**
(21) Appl. No.: **29/790,005**

(22) Filed: **Oct. 29, 2021**
(51) **LOC (14) Cl.** **21-02**
(52) **U.S. Cl.**
USPC **D21/686**; D21/673
(58) **Field of Classification Search**
USPC D21/673, 675, 686, 691; 482/37, 94, 96,
482/98, 101, 102, 103, 104, 121, 133,
482/139, 142
CPC A63B 21/0628; A63B 21/0626; A63B
21/078; A63B 21/0783; A63B 21/4029;
A63B 21/4035; A63B 21/156; A63B
21/154; A63B 2023/0411; A63B 23/1209;
A63B 23/03525; A63B 2225/09; A63B
23/03566; A63B 21/062
See application file for complete search history.

(56) **References Cited**

U.S. PATENT DOCUMENTS

4,781,374 A * 11/1988 Lederman A63B 21/154
482/99
4,795,149 A * 1/1989 Pearson A63B 21/078
482/133
5,184,992 A * 2/1993 Banks A63B 21/06
482/104
5,669,859 A * 9/1997 Liggett A63B 21/0626
482/94
6,120,424 A * 9/2000 Arline A63B 21/169
482/121
D454,930 S * 3/2002 Novak D21/691
6,685,601 B1 * 2/2004 Knapp A63B 21/0783
482/142

(Continued)

OTHER PUBLICATIONS

Major by Major Lutie dated Oct. 11, 2021. Found online [Jul. 25, 2022] https://www.amazon.com/el%C3%A9ctrica-desplegables-comerciales-multifuncional-actualizaci%C3%B3n/dp/B09J59KLV3?ref_ast_sto_dp (Year: 2021).*

Primary Examiner — Ryan Harvey
(74) *Attorney, Agent, or Firm* — Rumit Ranjit Kanakia

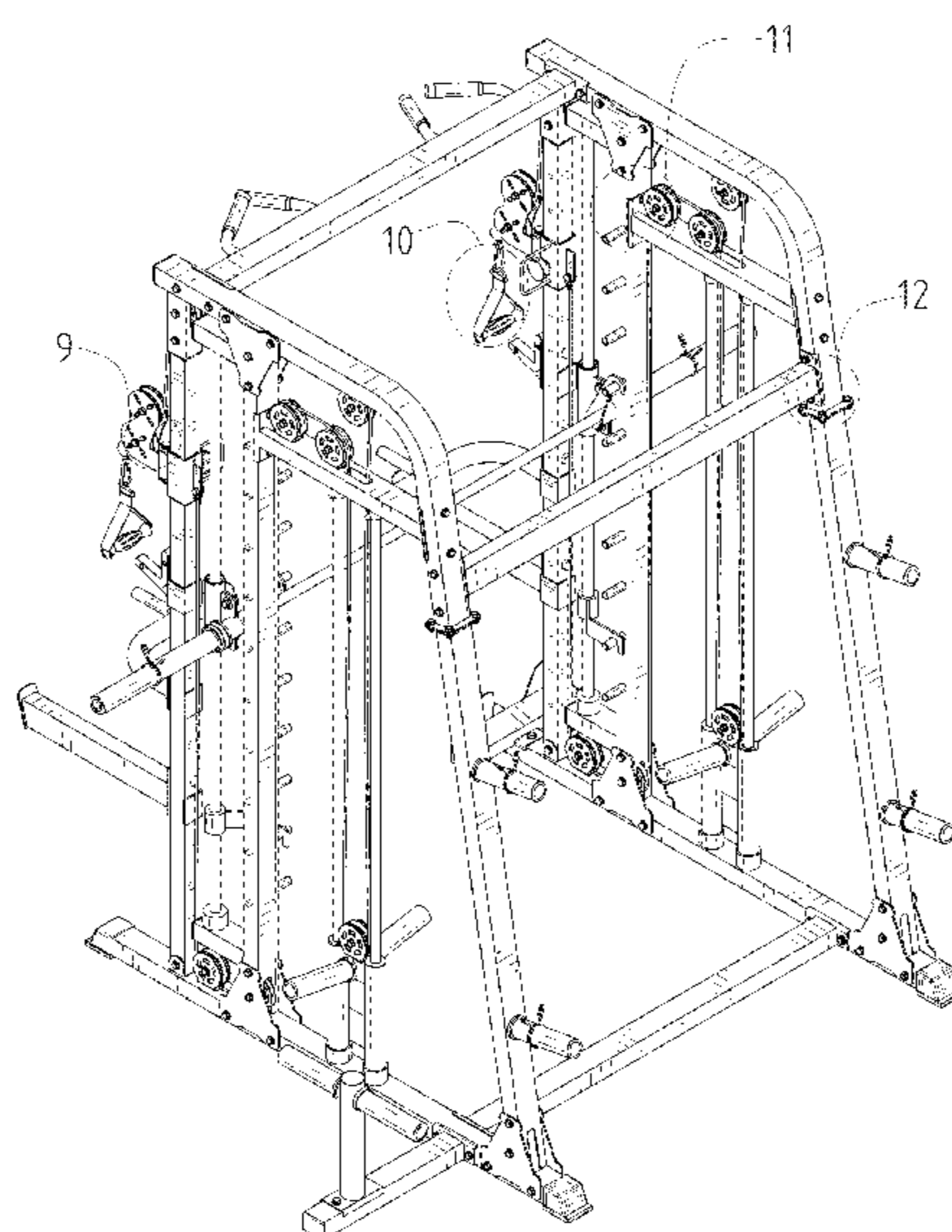
(57) **CLAIM**

The ornamental design for a fitness equipment, as shown and described.

DESCRIPTION

FIG. 1 is a first perspective view of a fitness equipment showing my new design;
FIG. 2 is a second perspective view thereof;
FIG. 3 is a front view thereof;
FIG. 4 is a back view thereof;
FIG. 5 is a left side view thereof;
FIG. 6 is a right side view thereof;
FIG. 7 is a top view thereof;
FIG. 8 is a bottom view thereof;
FIG. 9 is an enlarged view of the selected portion in FIG. 1;
FIG. 10 is an enlarged view of the selected portion in FIG. 1;
FIG. 11 is an enlarged view of the selected portion in FIG. 1;
FIG. 12 is an enlarged view of the selected portion in FIG. 1;
FIG. 13 is an enlarged view of the selected portion in FIG. 2; and,
FIG. 14 is an enlarged view of the selected portion in FIG. 2.
The broken line showing of portions of the fitness equipment forms no part of the claim.

1 Claim, 14 Drawing Sheets



(56)

References Cited

U.S. PATENT DOCUMENTS

6,811,521 B1 *	11/2004	Musso	A63B 21/078	482/137	D865,878 S	11/2019	Farinatti	
7,070,546 B1 *	7/2006	Grasso	A63B 21/072	482/145	10,695,602 B2 *	6/2020	Gore A63B 21/154
7,488,277 B1 *	2/2009	Knapp	A63B 21/0626	482/106	D933,760 S	10/2021	Qiao	
D590,032 S *	4/2009	Webber	D21/691	482/142	11,369,833 B2 *	6/2022	Leipheimer A63B 21/4043
D599,418 S *	9/2009	Fenster	D21/675	482/133	2007/0042876 A1 *	2/2007	Lundquist A63B 21/078
7,651,443 B1 *	1/2010	Fenster	A63B 71/0036	482/106	2007/0203002 A1 *	8/2007	Webber A63B 21/078
7,753,830 B1 *	7/2010	Marsh	A63B 23/03525	482/106	2009/0105052 A1 *	4/2009	Dalebout A63B 21/06
8,328,698 B1 *	12/2012	Webber	A63B 21/4043	482/133	2009/0124469 A1 *	5/2009	Webber A63B 21/0618
8,500,608 B1 *	8/2013	Bonomi	A63B 21/0626	482/98	2009/0170675 A1 *	7/2009	Giannelli A63B 23/03541
D735,820 S *	8/2015	Alenaddaf	D21/686	482/139	2013/0184128 A1 *	7/2013	Towley, III A63B 21/0615
D735,821 S *	8/2015	Alenaddaf	D21/686	482/102	2013/0203565 A1 *	8/2013	Floyd A63B 21/0628
9,526,938 B2 *	12/2016	Chen	A63B 21/4033	482/102	2014/0243174 A1 *	8/2014	Alenaddaf A63B 21/15
D808,475 S *	1/2018	Meredith	D21/686	482/142	2016/0199691 A1 *	7/2016	Hockridge A63B 23/1227
D812,156 S *	3/2018	Stoyanov Kichev	D21/675	482/96	2018/0318635 A1 *	11/2018	Lee A63B 21/156
10,016,646 B2 *	7/2018	Butler	A63B 21/4031	482/96	2019/0240525 A1 *	8/2019	Leipheimer A63B 21/4029
D852,906 S	7/2019	Zhu				2019/0336812 A1 *	11/2019	Leipheimer A63B 23/03566
						2020/0069988 A1 *	3/2020	Gore A63B 21/154

* cited by examiner

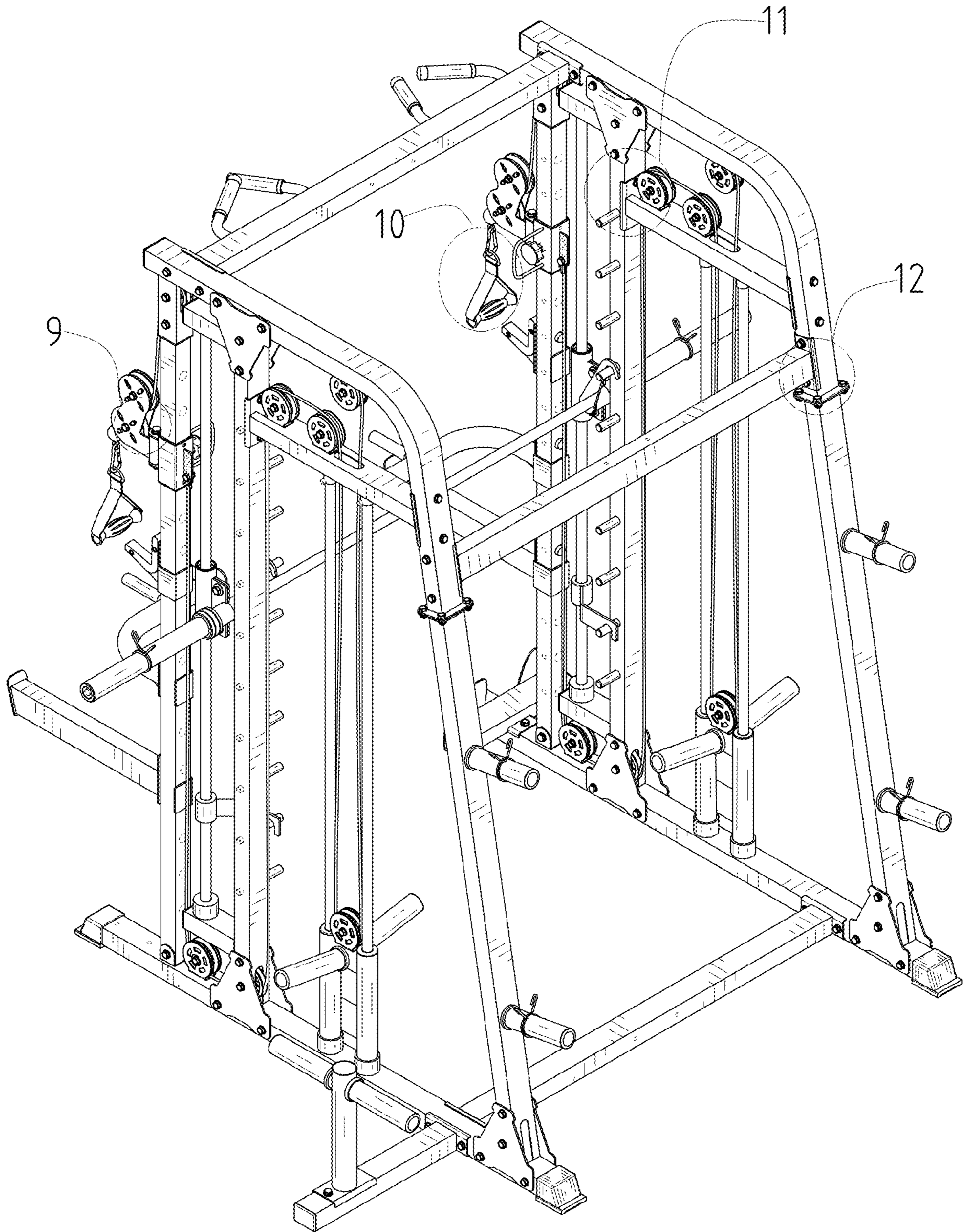


FIG. 1

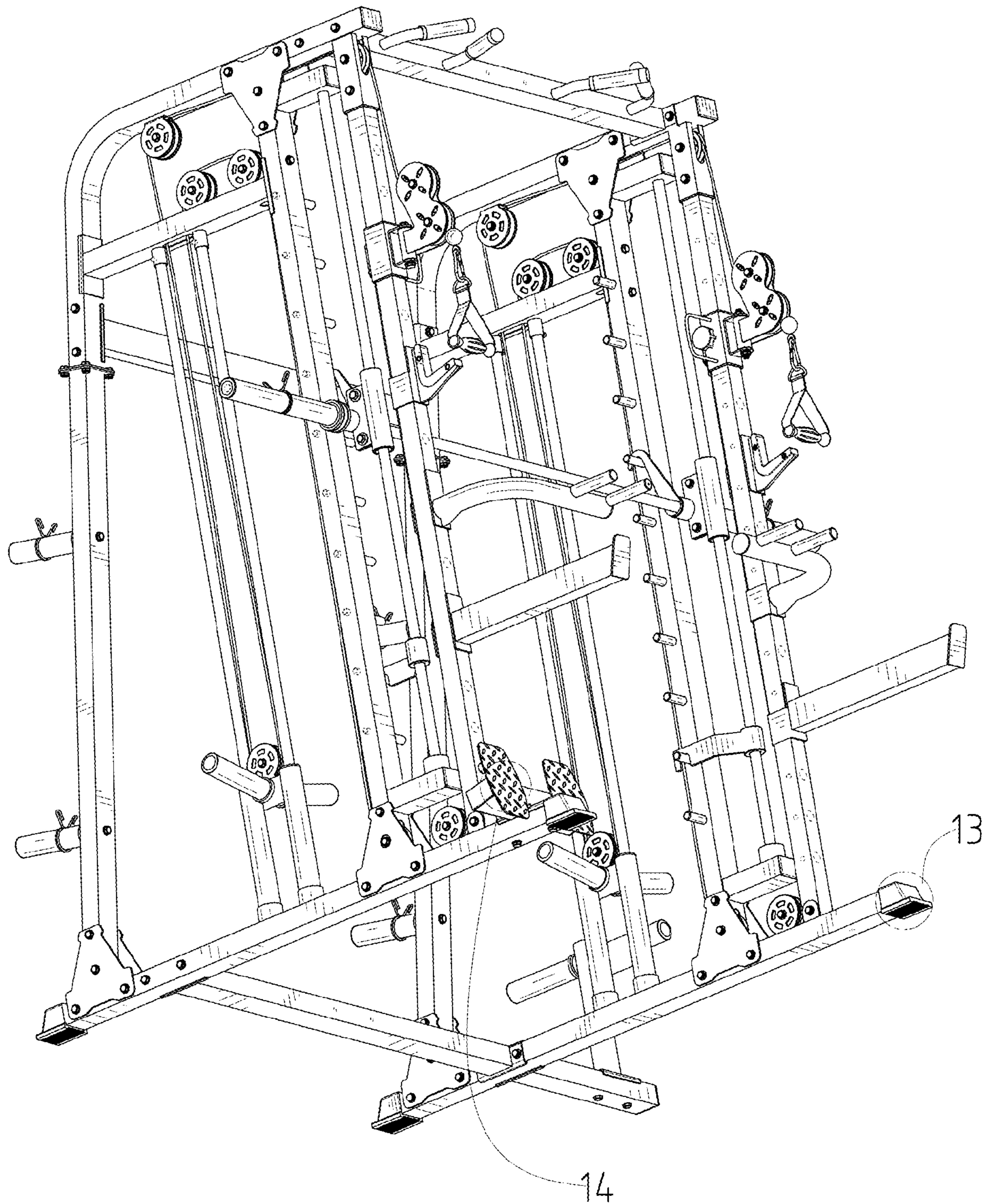


FIG. 2

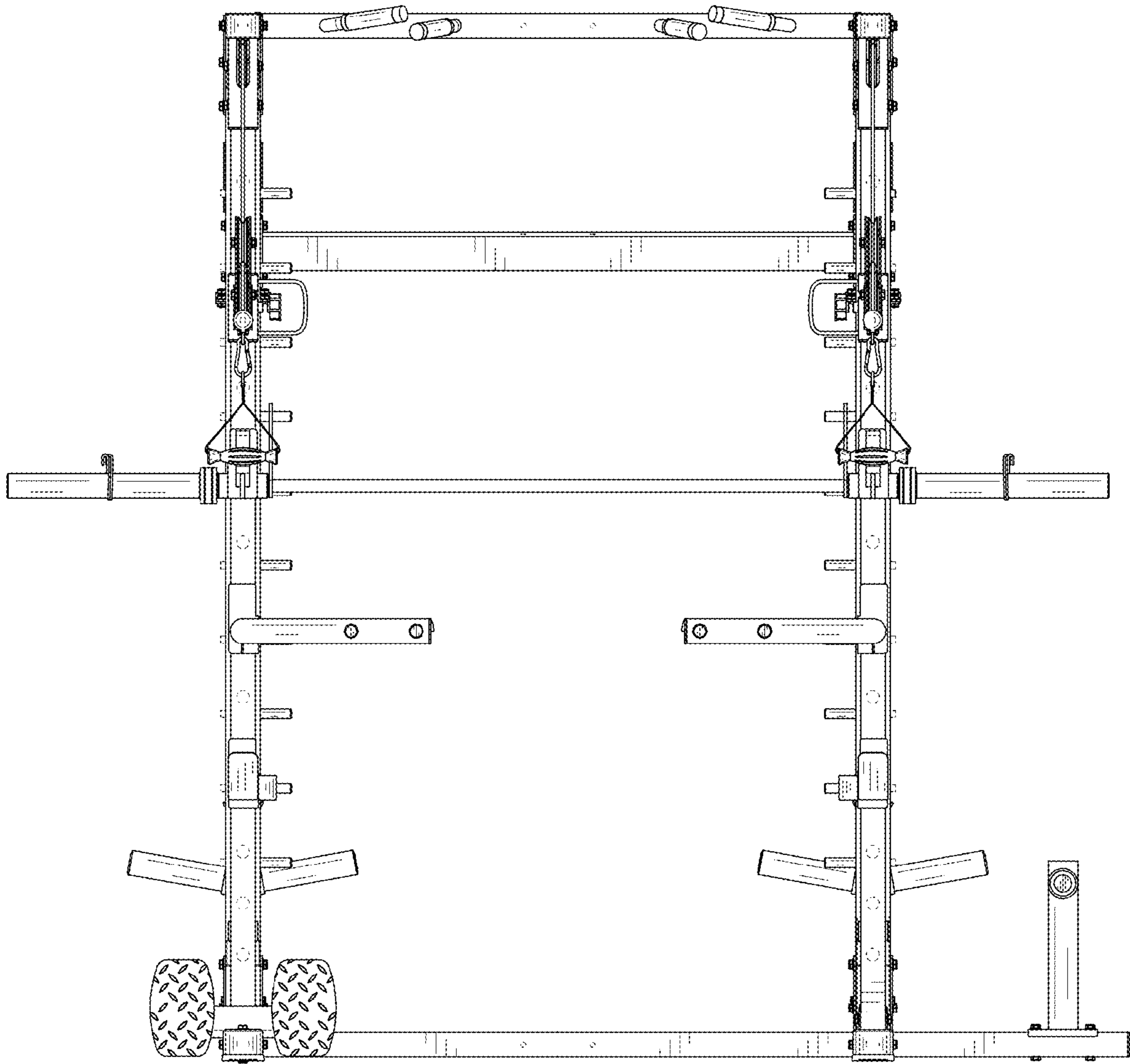


FIG. 3

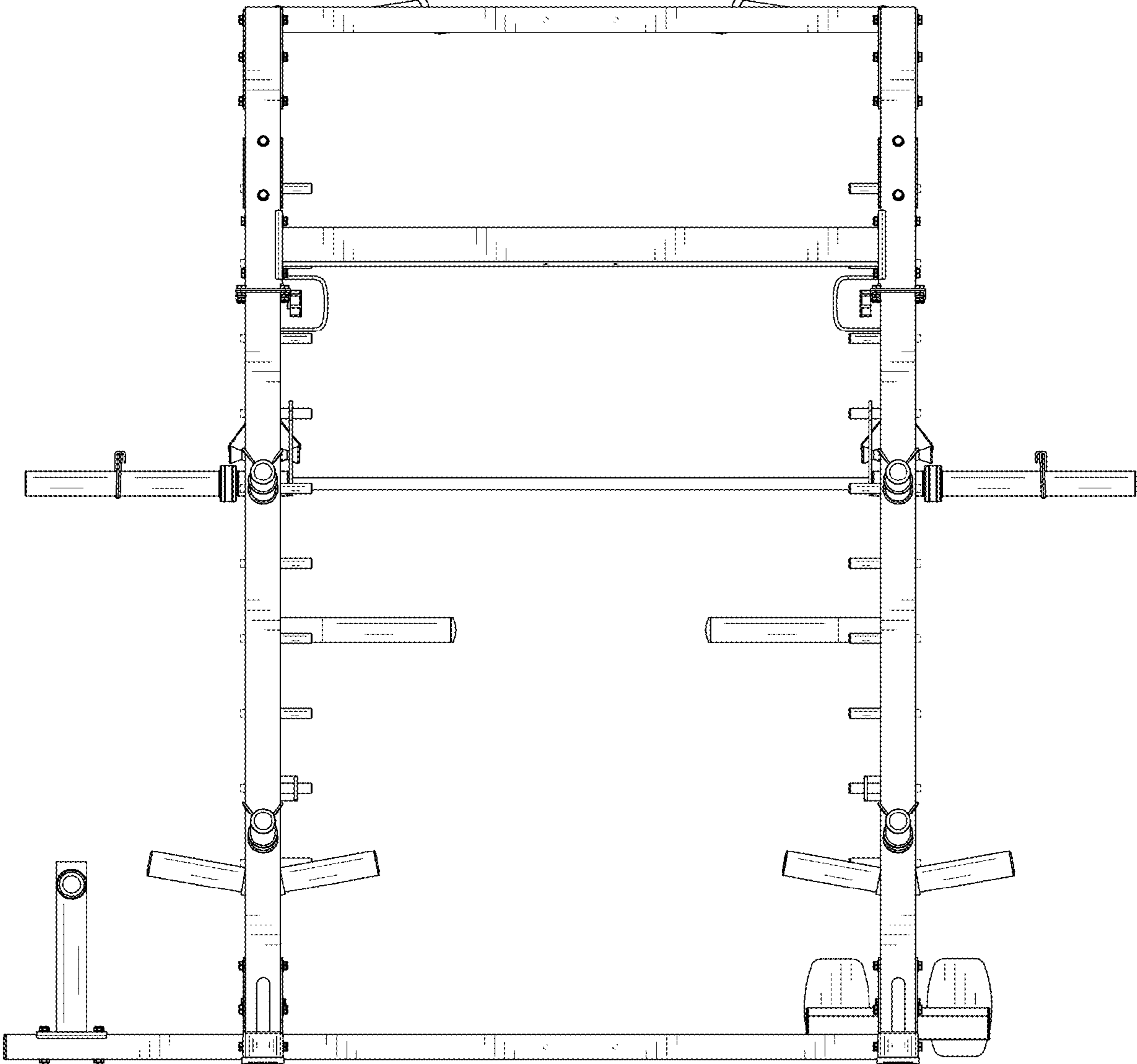


FIG. 4

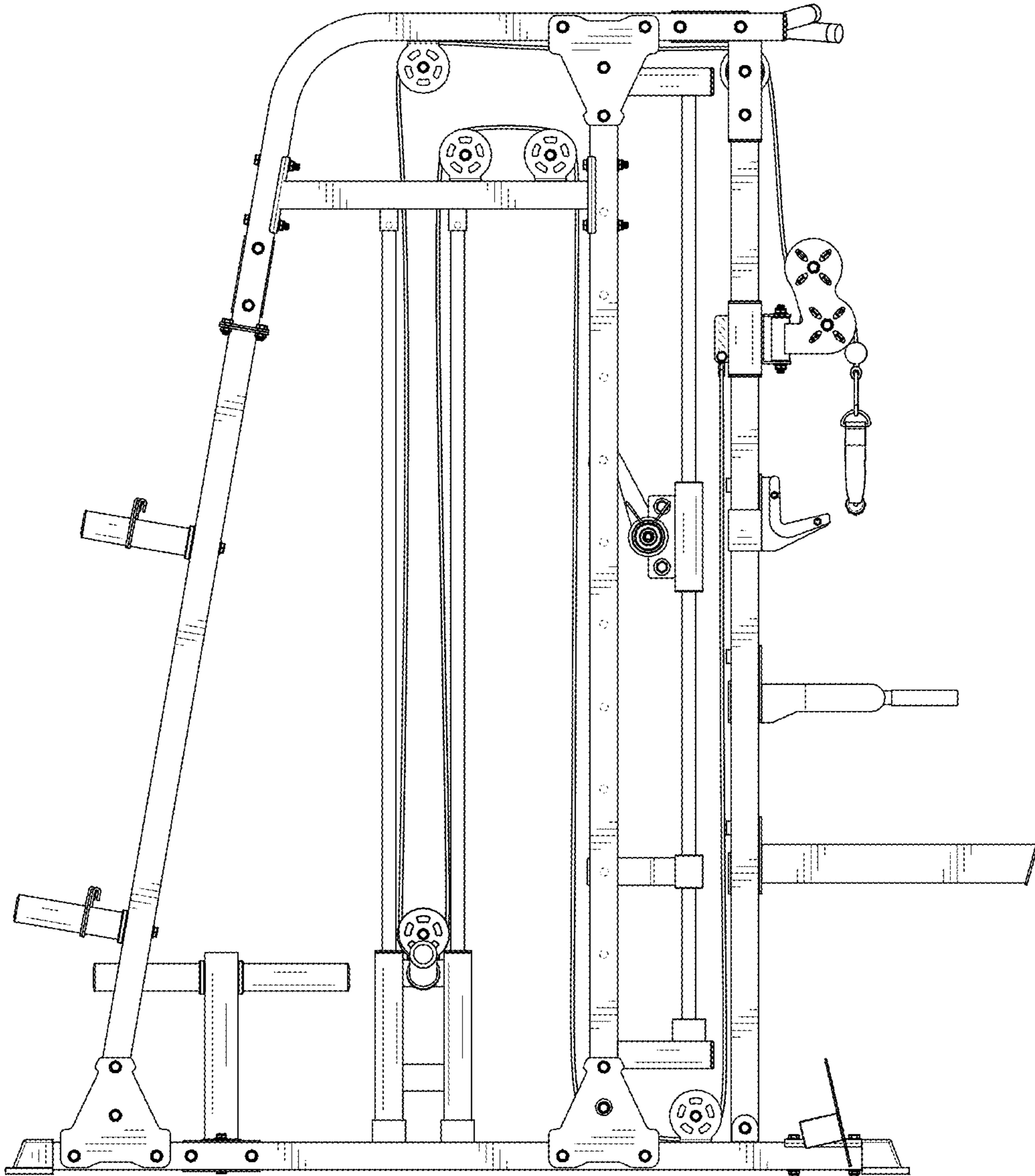


FIG. 5

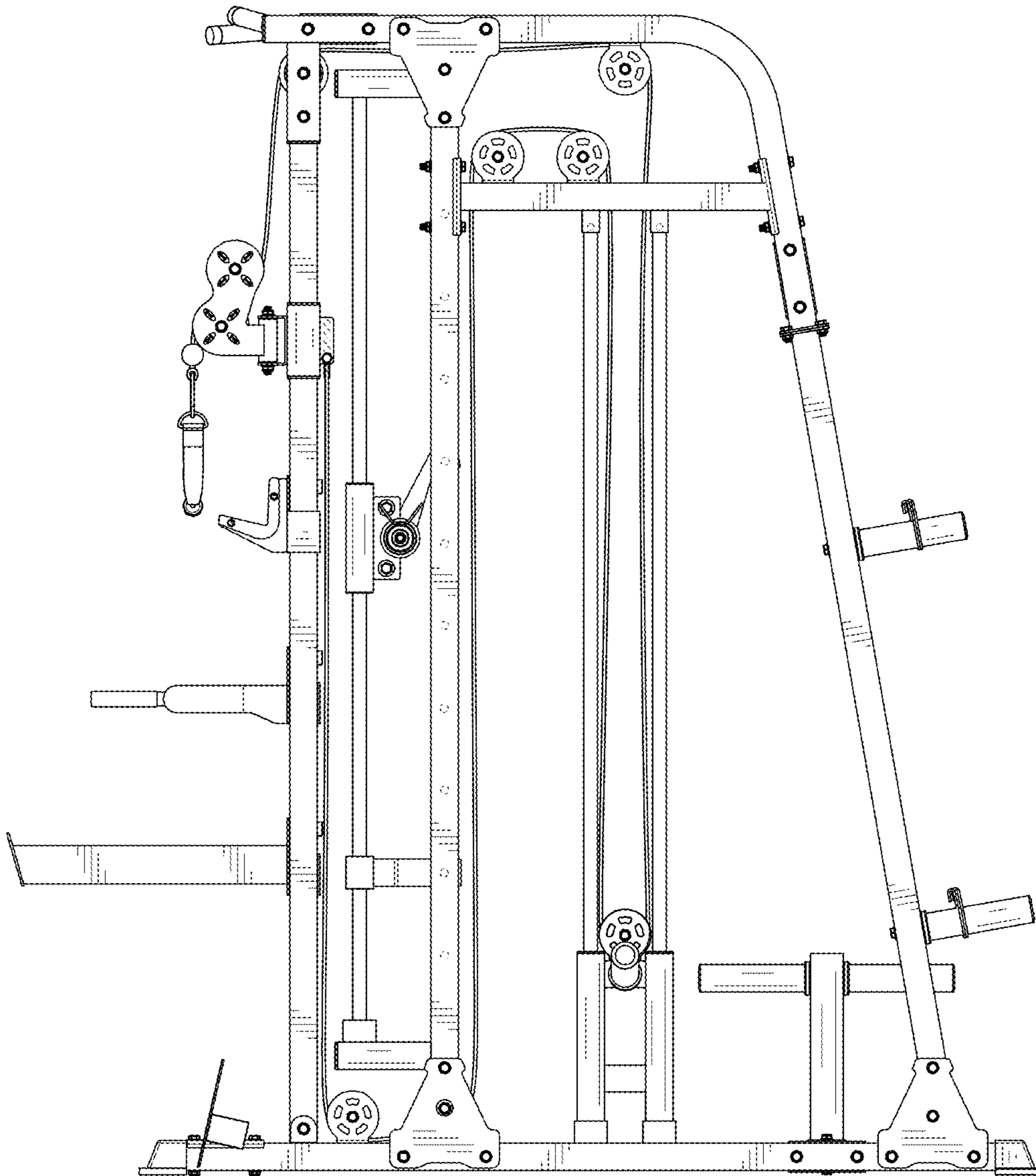


FIG. 6

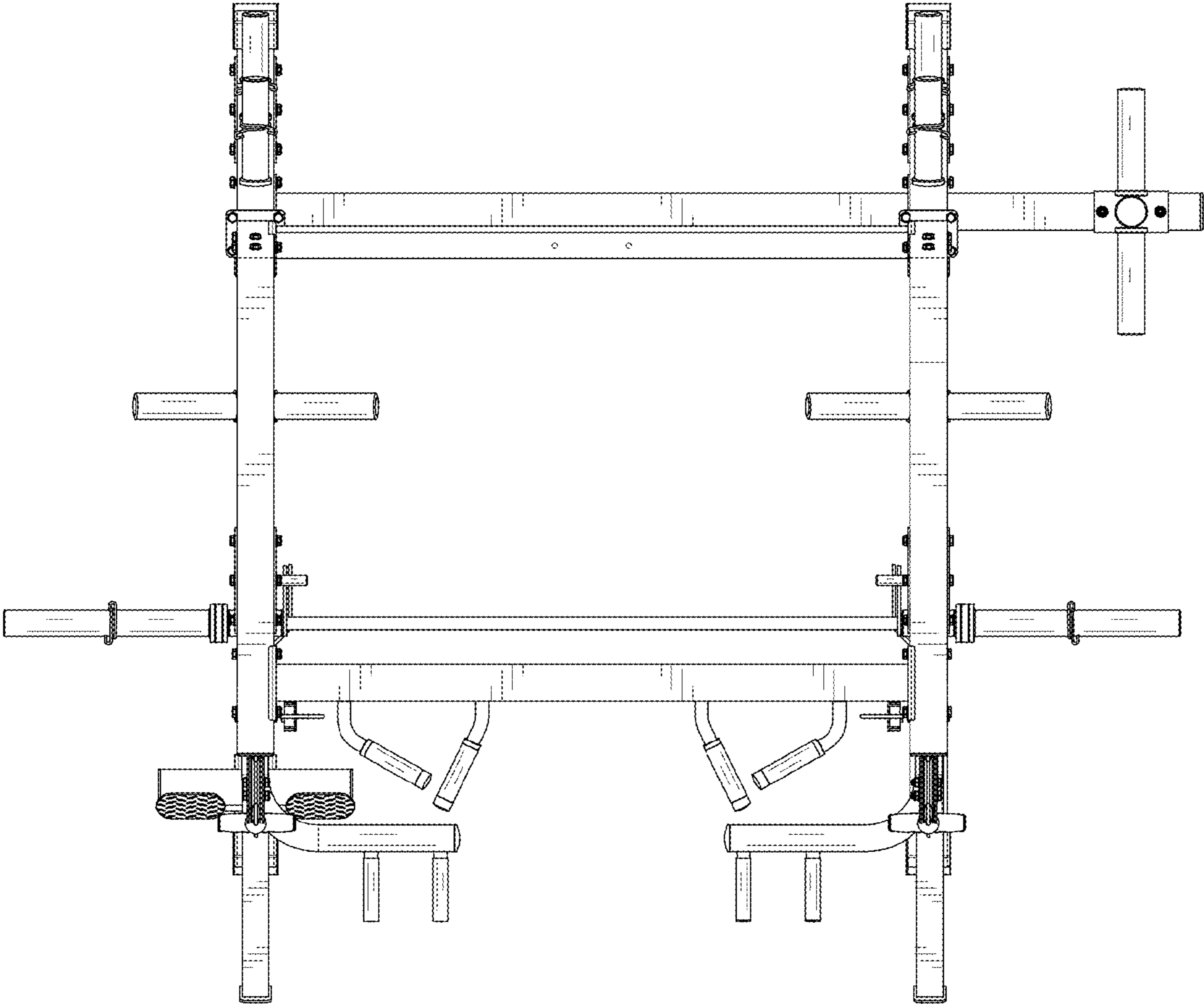


FIG. 7

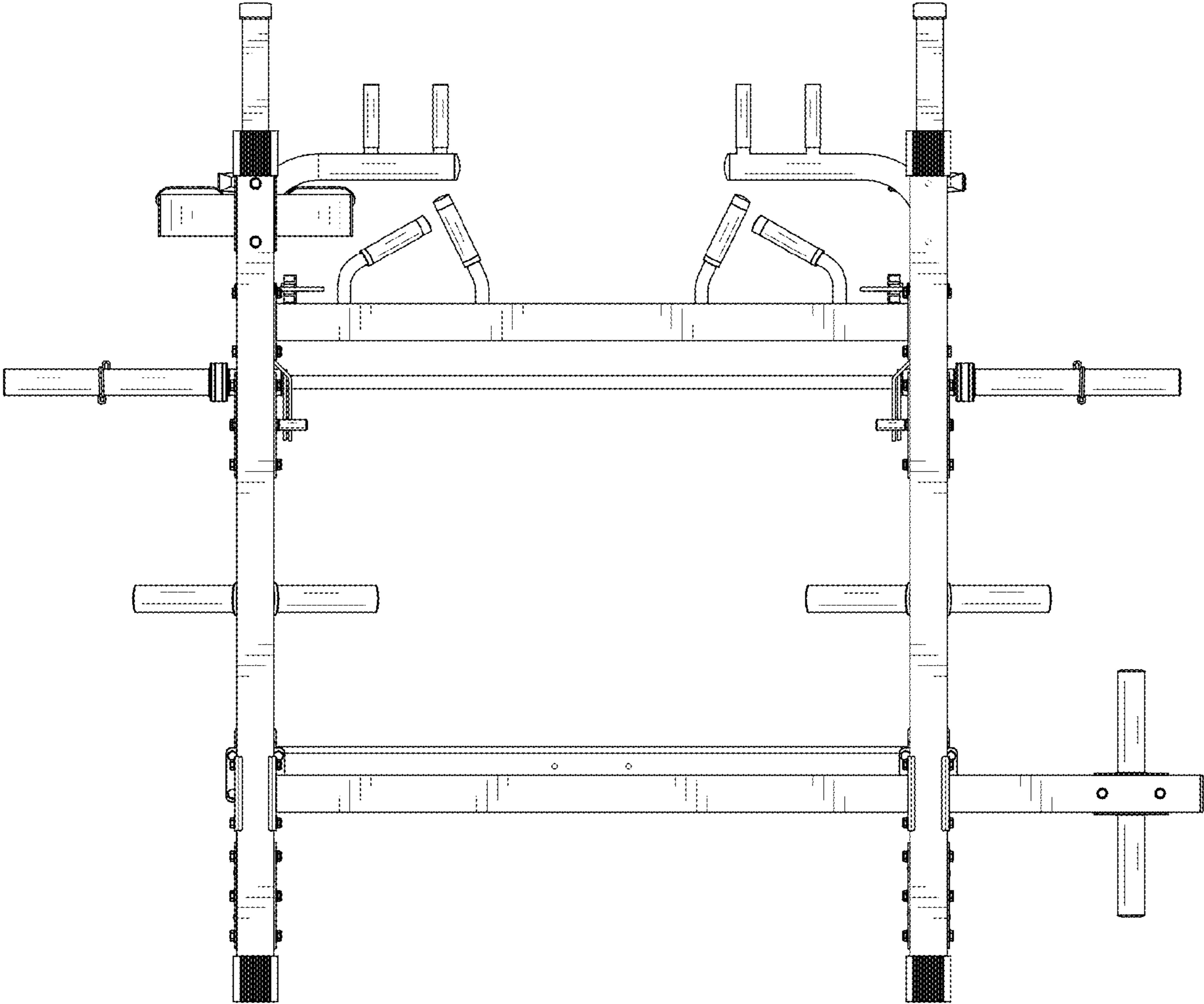


FIG. 8

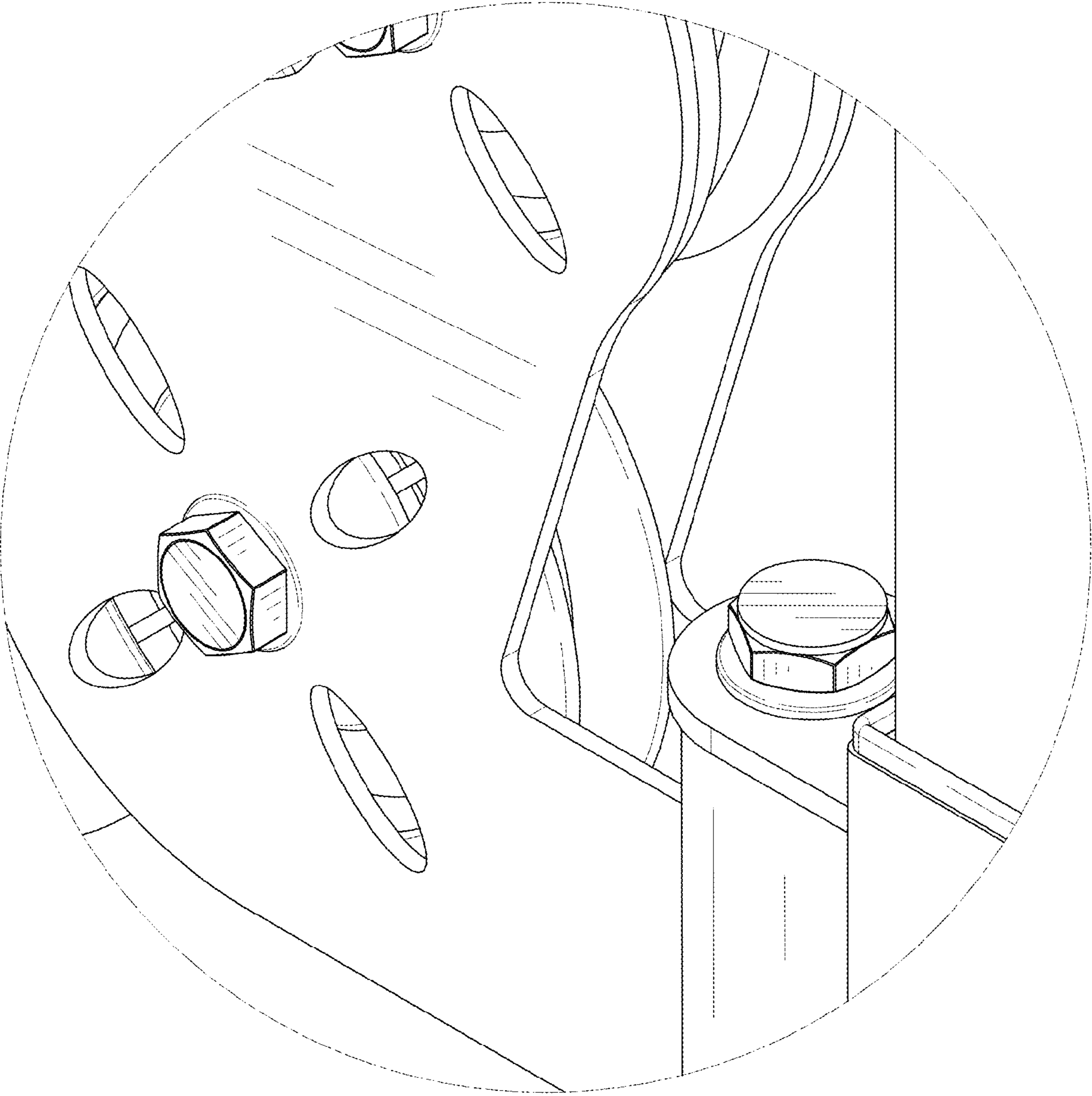


FIG. 9

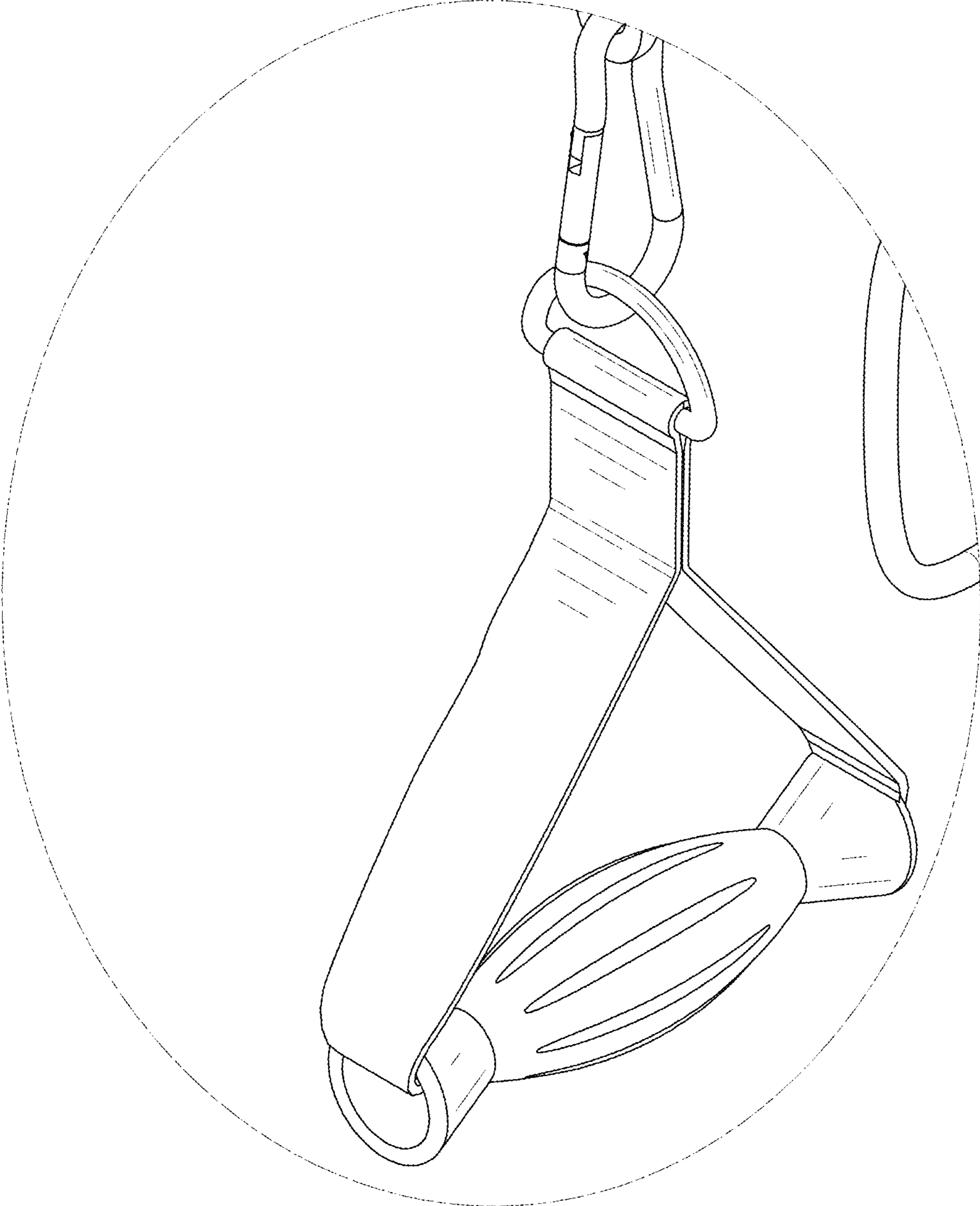


FIG. 10

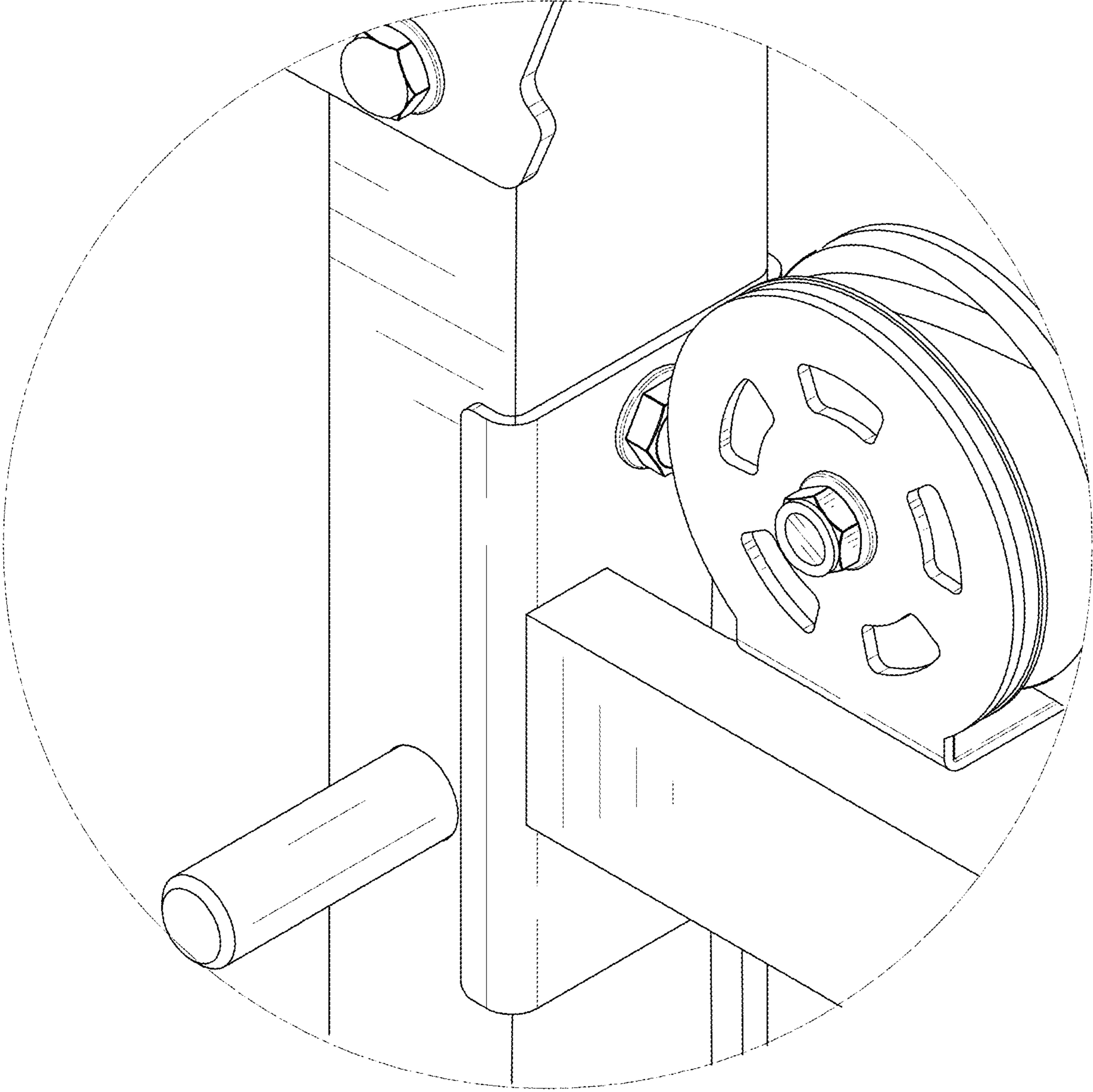


FIG. 11

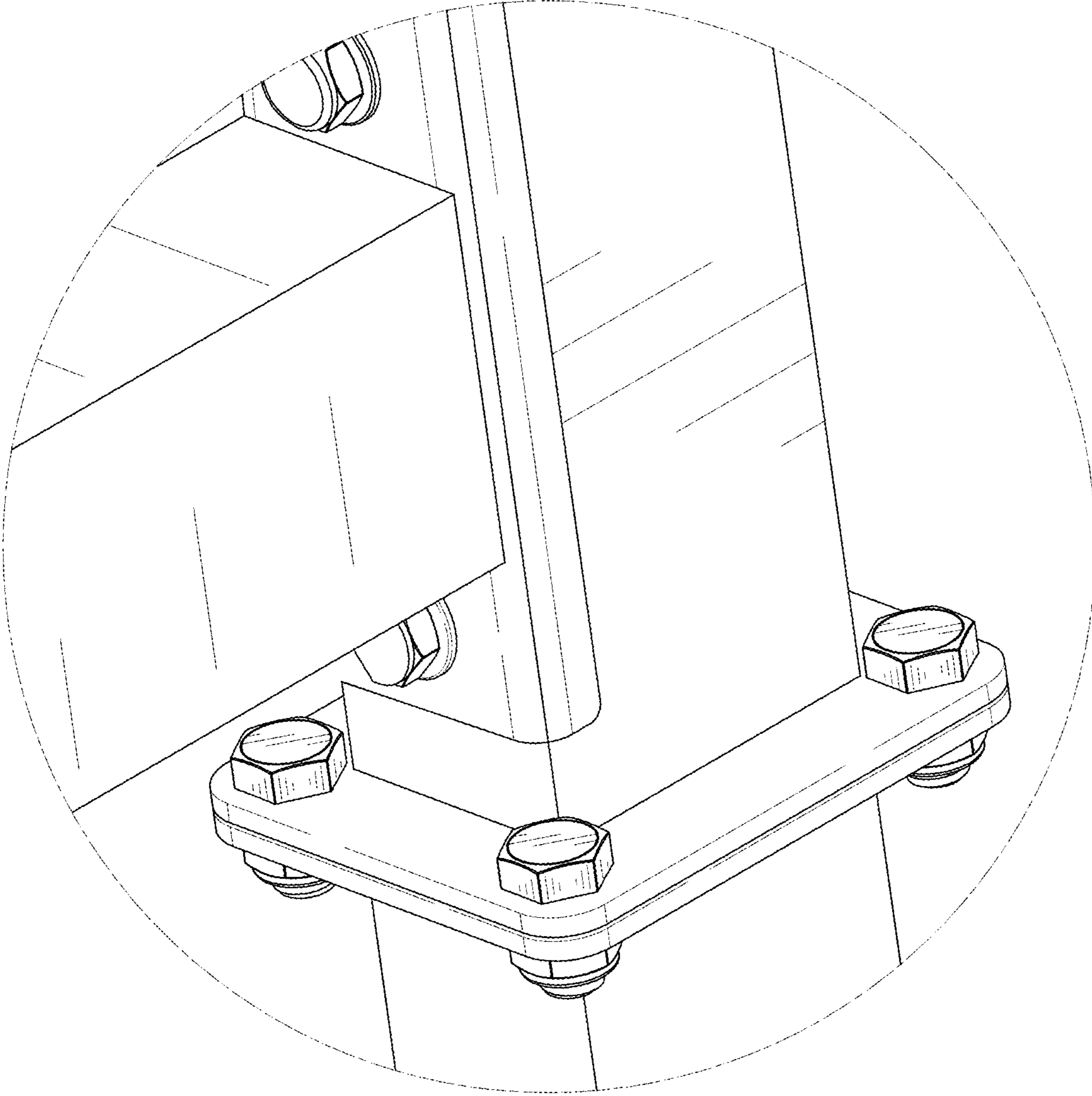


FIG. 12

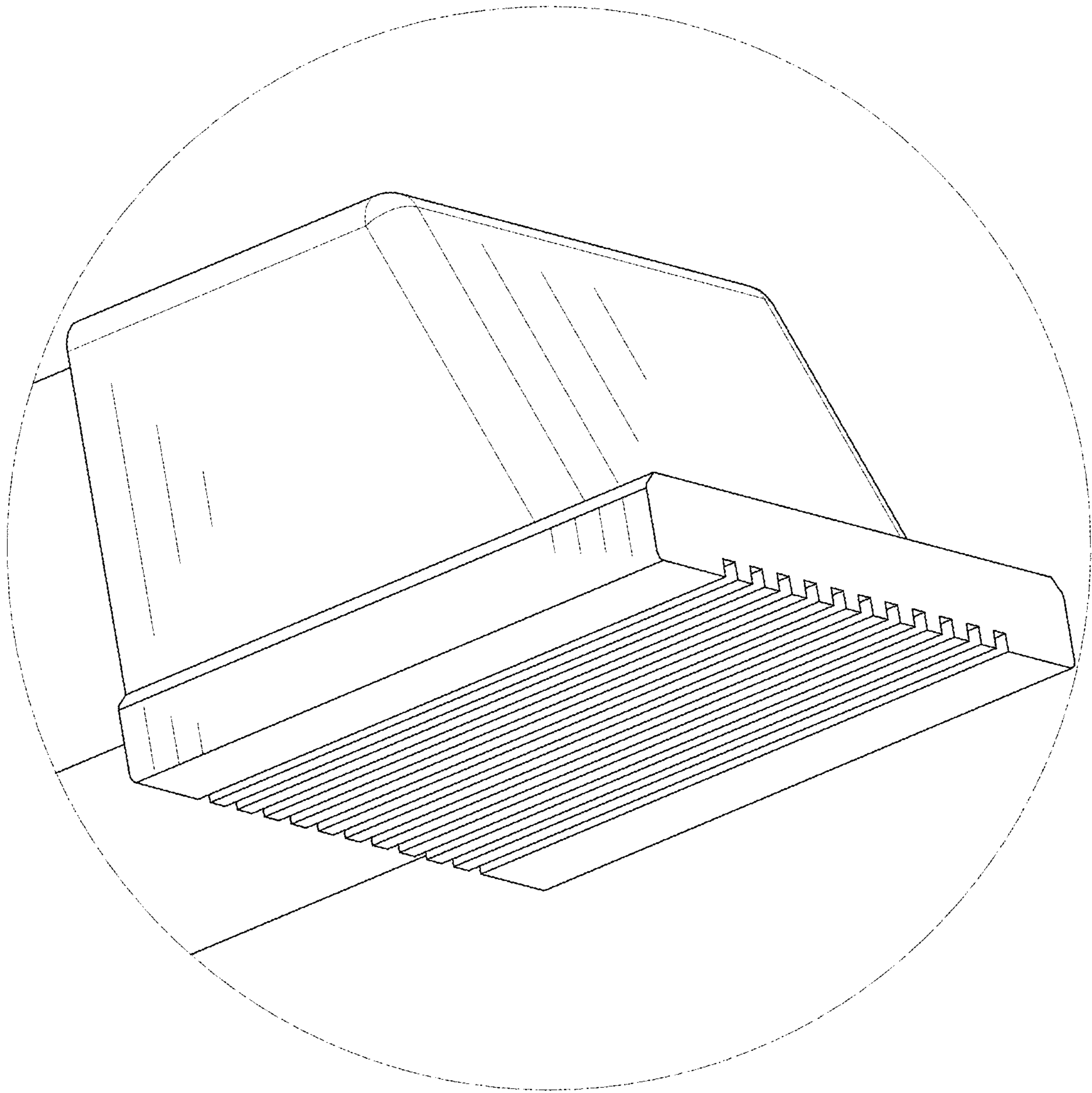


FIG. 13

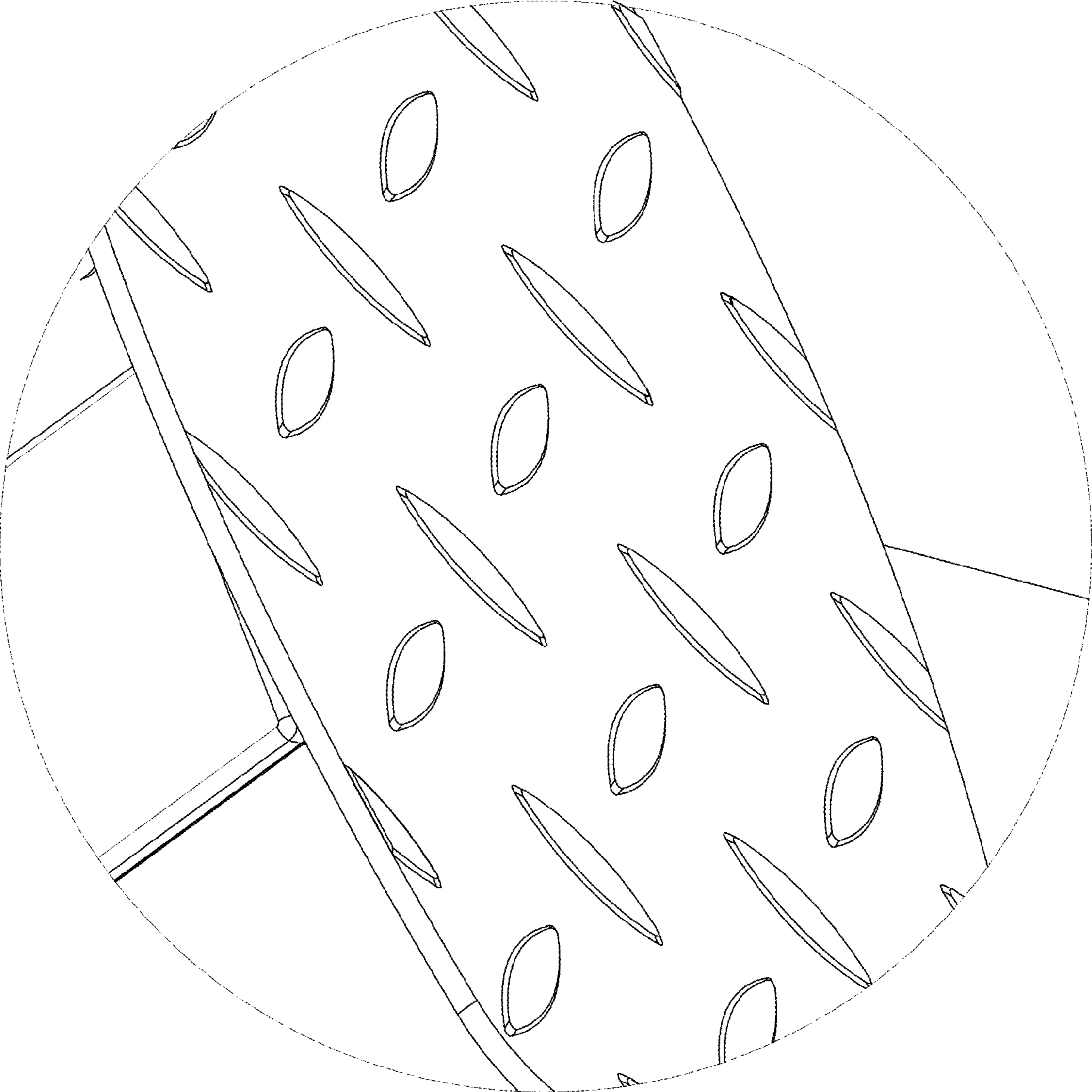


FIG. 14