



US00D980353S

(12) **United States Design Patent** (10) **Patent No.:** **US D980,353 S**
Dan (45) **Date of Patent:** **** Mar. 7, 2023**

(54) **STRENGTH TRAINING WEIGHT**

OTHER PUBLICATIONS

(71) Applicant: **Xingguo Dan**, Yancheng (CN)

Bala Bangles 1 Pound Bala Bangles, shown in www.amazon.com. Web. Mar. 20, 2018, ASIN B09K4P8QNJ. (Year: 2018).*

(72) Inventor: **Xingguo Dan**, Yancheng (CN)

Wearable Wrist & Ankle Weights—For Women Men, Total 2 Lb Adjustable Arm Weights Set, Weight Loss Bracelet, For Walking, Jogging, Travel, Yoga, Gym, Homeworking out, Strength Training, shown in www.amazon.com. Web. Jul. 17, 2022, ASIN B0B141ZPSB. (Year: 2022).*

(**) Term: **15 Years**

(21) Appl. No.: **29/858,480**

* cited by examiner

(22) Filed: **Nov. 1, 2022**

(51) **LOC (14) Cl.** **21-02**

(52) **U.S. Cl.**

USPC **D21/683**

(58) **Field of Classification Search**

USPC D21/680, 683, 684, 694, 753, 791;
482/44, 79, 93, 105; D11/3, 4, 17, 19,
D11/22, 25

CPC ... A63B 21/065; A63B 21/06; A63B 21/0004;
A63B 21/4001; A63B 23/12; A63B
21/4017; A63B 23/03508; A63B 21/4013;
A63B 21/4021

See application file for complete search history.

Primary Examiner — Gino Colan

Assistant Examiner — Gregory G McLemore

(74) *Attorney, Agent, or Firm* — Daniel M. Cohn;
Howard M. Cohn

(57) **CLAIM**

The ornamental design for a strength training weight, as shown and described.

DESCRIPTION

FIG. 1 is a perspective view of a strength training weight showing my new design;

FIG. 2 is another perspective view thereof;

FIG. 3 is a front elevational view thereof;

FIG. 4 is a rear elevational view thereof;

FIG. 5 is a left side elevational view thereof;

FIG. 6 is a right side elevational view thereof;

FIG. 7 is a top plan view thereof; and,

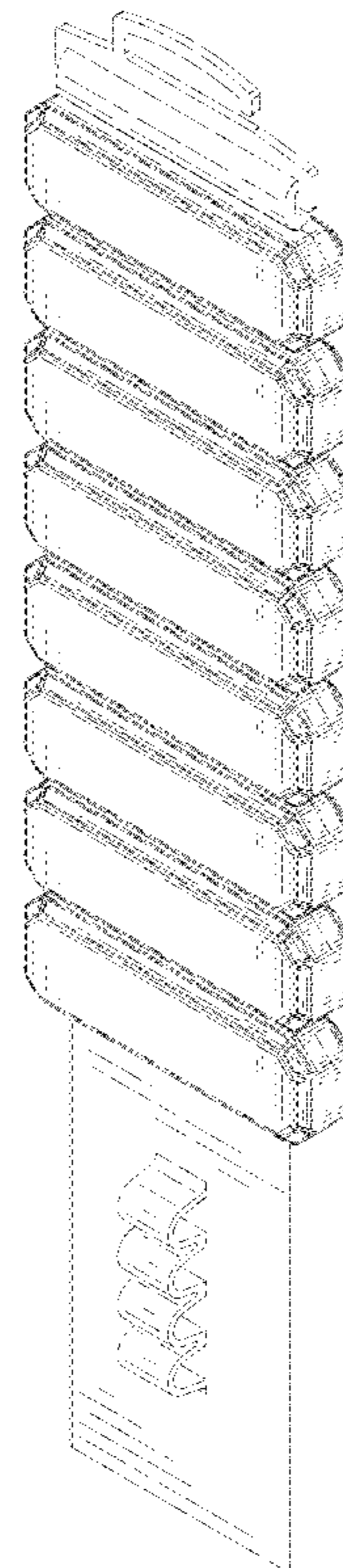
FIG. 8 is a bottom plan view thereof.

(56) **References Cited**

U.S. PATENT DOCUMENTS

D792,796 S *	7/2017	Haley	A63B 71/0036
				D11/3
D888,167 S *	6/2020	Kislevitz	D21/683
D934,099 S	10/2021	Qin		
D952,773 S *	5/2022	Chen	D21/683
D967,912 S *	10/2022	Chen	D21/683
2013/0237391 A1 *	9/2013	Haley	A63B 21/00065
				482/105

1 Claim, 8 Drawing Sheets



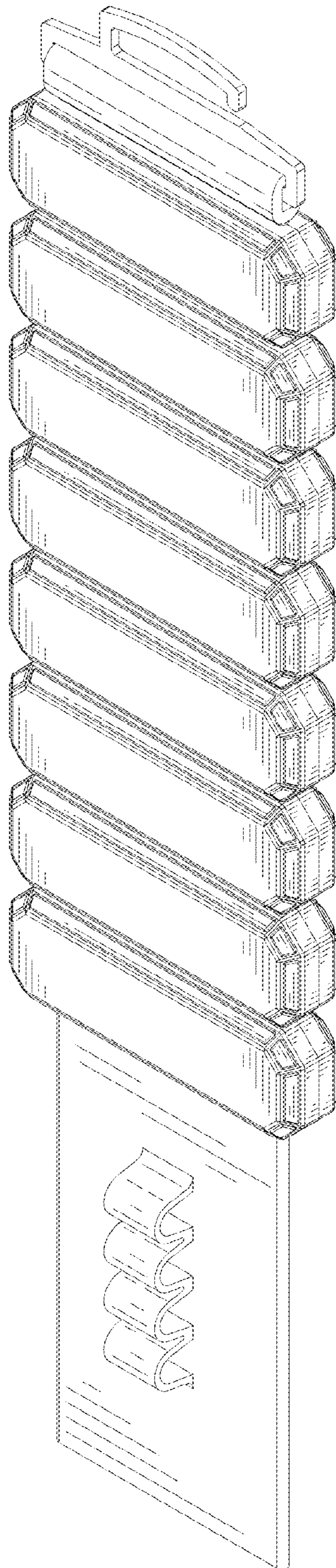


FIG. 1

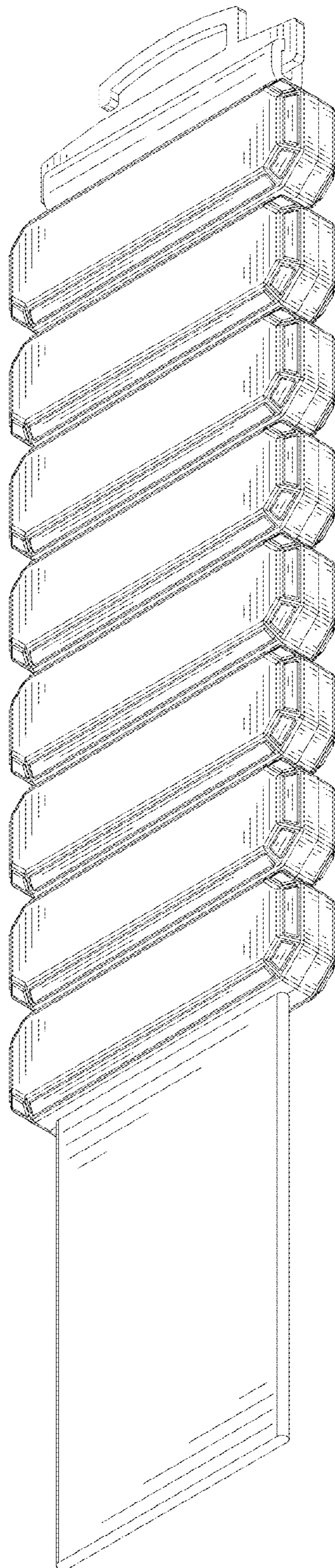


FIG. 2

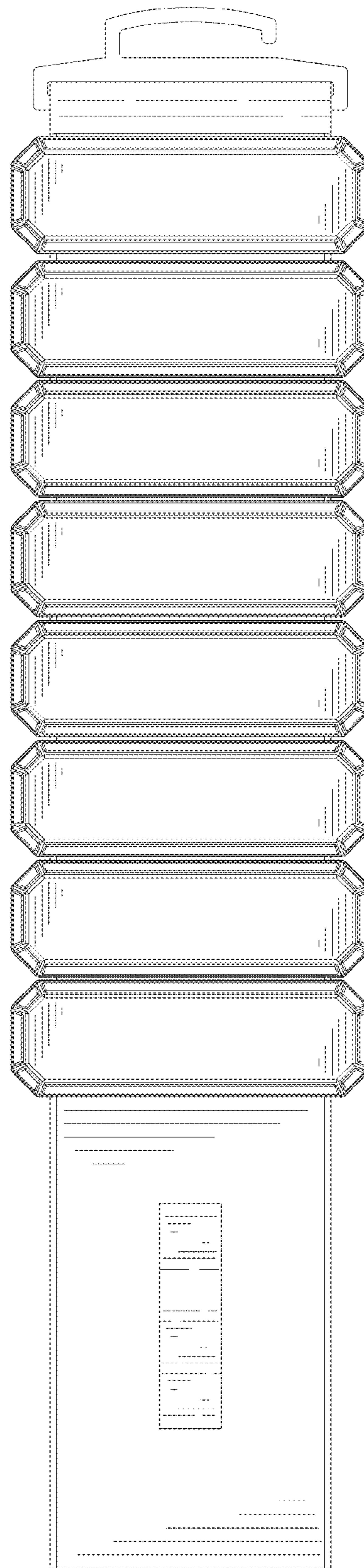


FIG. 3

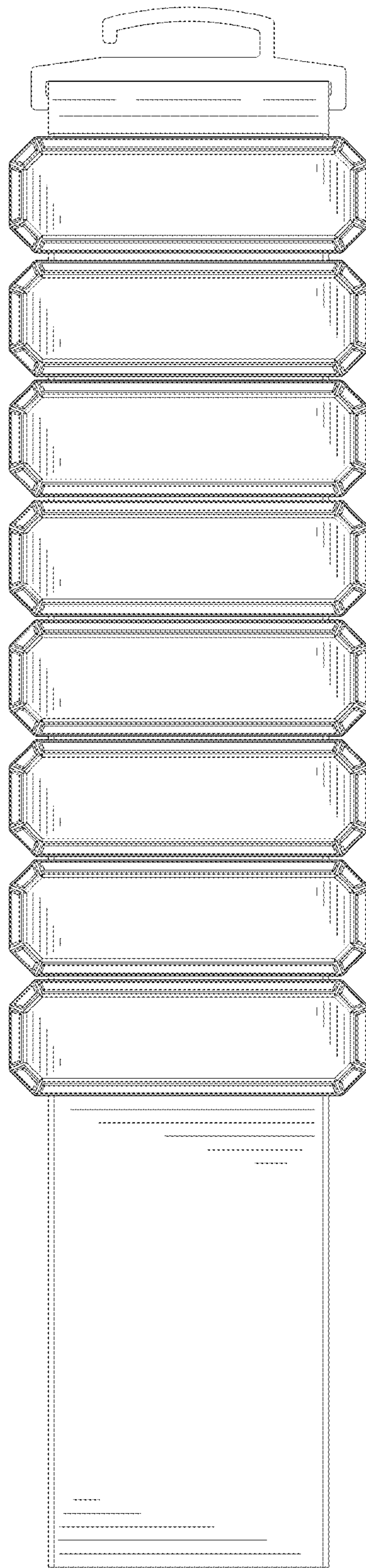


FIG. 4

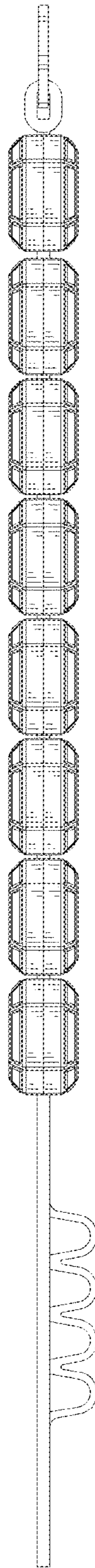


FIG. 5

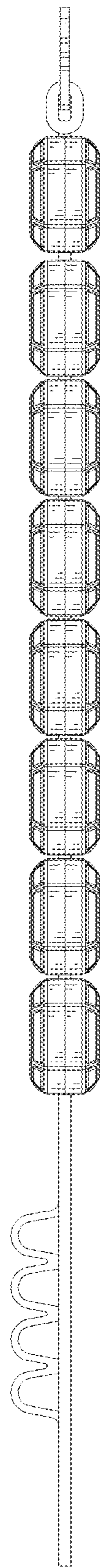


FIG. 6

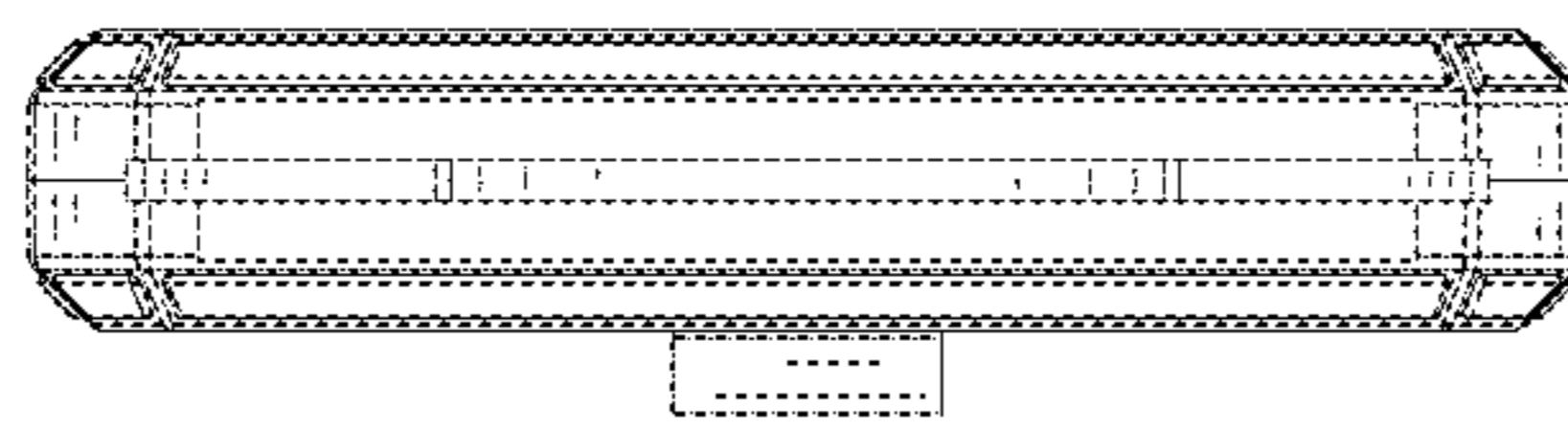


FIG. 7

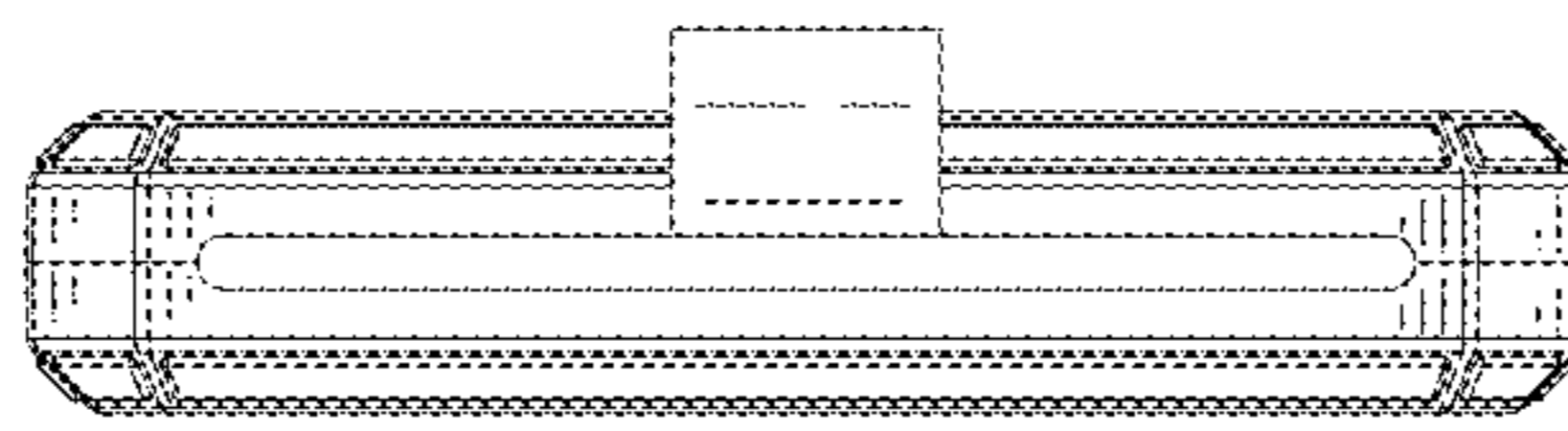


FIG. 8