



US00D980350S

(12) **United States Design Patent**
Hughes

(10) **Patent No.: US D980,350 S**
(45) **Date of Patent: ** Mar. 7, 2023**

(54) **ACCESSORY FOR A WEIGHT**
(71) Applicant: **Gregory A. Hughes**, Seattle, WA (US)
(72) Inventor: **Gregory A. Hughes**, Seattle, WA (US)
(**) Term: **15 Years**

9,364,703 B1 6/2016 Kuka
D775,926 S * 1/2017 Atkins D8/303
9,901,771 B1 * 2/2018 Silver A63B 71/00
D812,700 S * 3/2018 Silver D21/694
(Continued)

(21) Appl. No.: **29/782,109**
(22) Filed: **May 4, 2021**
(51) **LOC (14) Cl.** **21-02**
(52) **U.S. Cl.**
USPC **D21/682**
(58) **Field of Classification Search**
USPC D6/552; D21/662, 667-682, 685, 686,
D21/692, 694, 691, 683, 684, 756, 49;
D24/214, 215; D30/160
CPC . A63B 21/0724; A63B 21/0726; A63B 23/16;
A63B 21/0442; A63B 21/0552; A63B
60/08; A63B 21/4035; A63B 53/14; A63B
21/00061; A63B 23/1218; A63B 60/10;
A63B 23/12; B62K 21/26; B25G 1/10;
H01L 21/6704
See application file for complete search history.

OTHER PUBLICATIONS

“Fat Gripz” Jun. 2012, Rogue Fitness, site visited Oct. 18, 2022:
<https://bit.ly/3CltsD2> (Year: 2012).*
(Continued)

Primary Examiner — Jennifer L Rempfer
Assistant Examiner — Salamah Jordan
(74) *Attorney, Agent, or Firm* — Suzanne Kikel

(57) **CLAIM**

The ornamental design for an accessory for a weight, as shown and described.

DESCRIPTION

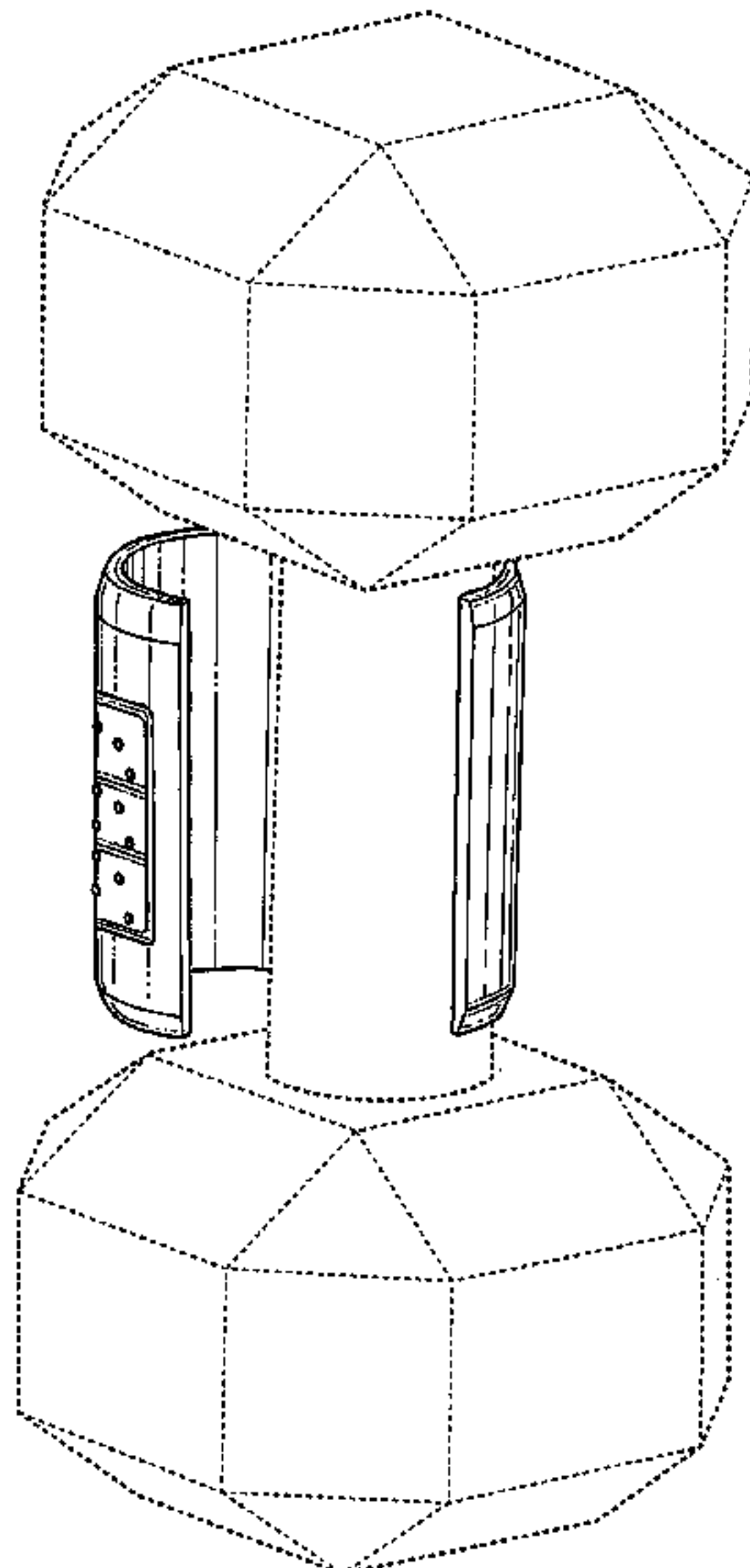
FIG. 1 is a left side perspective view of an accessory for a weight in an open configuration and positioned around the weight, showing my new design;
FIG. 2 is a left side elevation view of FIG. 1;
FIG. 3 is a left side perspective view of the accessory for a weight in a close configuration and positioned around the weight;
FIG. 4 is a front elevation view of FIG. 3;
FIG. 5 is an enlarged left side elevation view of the accessory for a weight in a close configuration without a weight;
FIG. 6 is a right side elevation view thereof;
FIG. 7 is a left side elevation view thereof;
FIG. 8 is a rear elevation view thereof;
FIG. 9 is a front elevation view thereof;
FIG. 10 is a top plan view thereof; and,
FIG. 11 is a bottom plan view thereof.
The broken lines in the drawings are for illustrative purposes and form no part of the claimed design.

(56) **References Cited**

U.S. PATENT DOCUMENTS

5,334,113 A 8/1994 Roepke
D403,035 S * 12/1998 MacPherson D21/684
6,080,092 A * 6/2000 Cercone H01L 21/6704
492/30
7,094,182 B1 8/2006 Holten
D616,950 S * 6/2010 Hersee D8/303
D637,244 S * 5/2011 Davis D21/662
8,220,360 B2 * 7/2012 Li B62K 21/26
74/551.9
D669,142 S * 10/2012 Mattern D21/680
D669,945 S * 10/2012 Russo D21/682
D696,923 S * 1/2014 Ichikawa D8/303
D721,773 S * 1/2015 Marooth D21/694
D739,484 S * 9/2015 Kaye D21/694

1 Claim, 10 Drawing Sheets



(56)

References Cited

U.S. PATENT DOCUMENTS

D822,772 S * 7/2018 Jorgenson D24/211
 D852,712 S 6/2019 John et al.
 10,335,628 B1 * 7/2019 Scarpa A63B 21/00061
 D867,492 S * 11/2019 Didia D21/694
 D899,888 S * 10/2020 Xu D8/303
 D965,710 S * 10/2022 Xu D21/682
 2012/0172182 A1 7/2012 Leier et al.
 2012/0208683 A1 * 8/2012 Hartman A63B 23/12
 482/139
 2013/0045816 A1 * 2/2013 Lewis A63B 60/10
 473/201
 2013/0196824 A1 * 8/2013 Ross A63B 23/1218
 482/40
 2013/0288862 A1 10/2013 Lien
 2014/0274614 A1 * 9/2014 Newman A63B 21/4035
 482/139
 2015/0251306 A1 * 9/2015 Paul B25G 1/10
 16/422

2019/0159714 A1 * 5/2019 Nagasu A63B 24/0062
 2021/0052938 A1 * 2/2021 Rabiner A63B 21/4035
 2021/0154542 A1 * 5/2021 Sliepka A63B 53/14
 2021/0154546 A1 * 5/2021 Sliepka A63B 60/08
 2021/0205657 A1 * 7/2021 Lewis, Jr. A63B 21/4035
 2022/0096904 A1 * 3/2022 Chen A63B 60/08
 2022/0126162 A1 * 4/2022 Jones A63B 21/0552
 2022/0134176 A1 * 5/2022 Alford A63B 21/0442
 482/139

OTHER PUBLICATIONS

“3 Must-Do Exercises” Jan. 9, 2020, Youtube, site visited Oct. 18, 2022: <https://www.youtube.com/watch?v=trbc8RSgUow> (Year: 2020).*
 “IADUMO Barbell Grips” Mar. 8, 2019, Amazon, site visited Oct. 18, 2022: <https://amzn.to/3EQyL64> (Year: 2019).*
 “Hikeen Thick Bar Dumbbell Grips” Feb. 19, 2022, Amazon, site visited Oct. 18, 2022: <https://amzn.to/3eDcklB> (Year: 2022).*

* cited by examiner

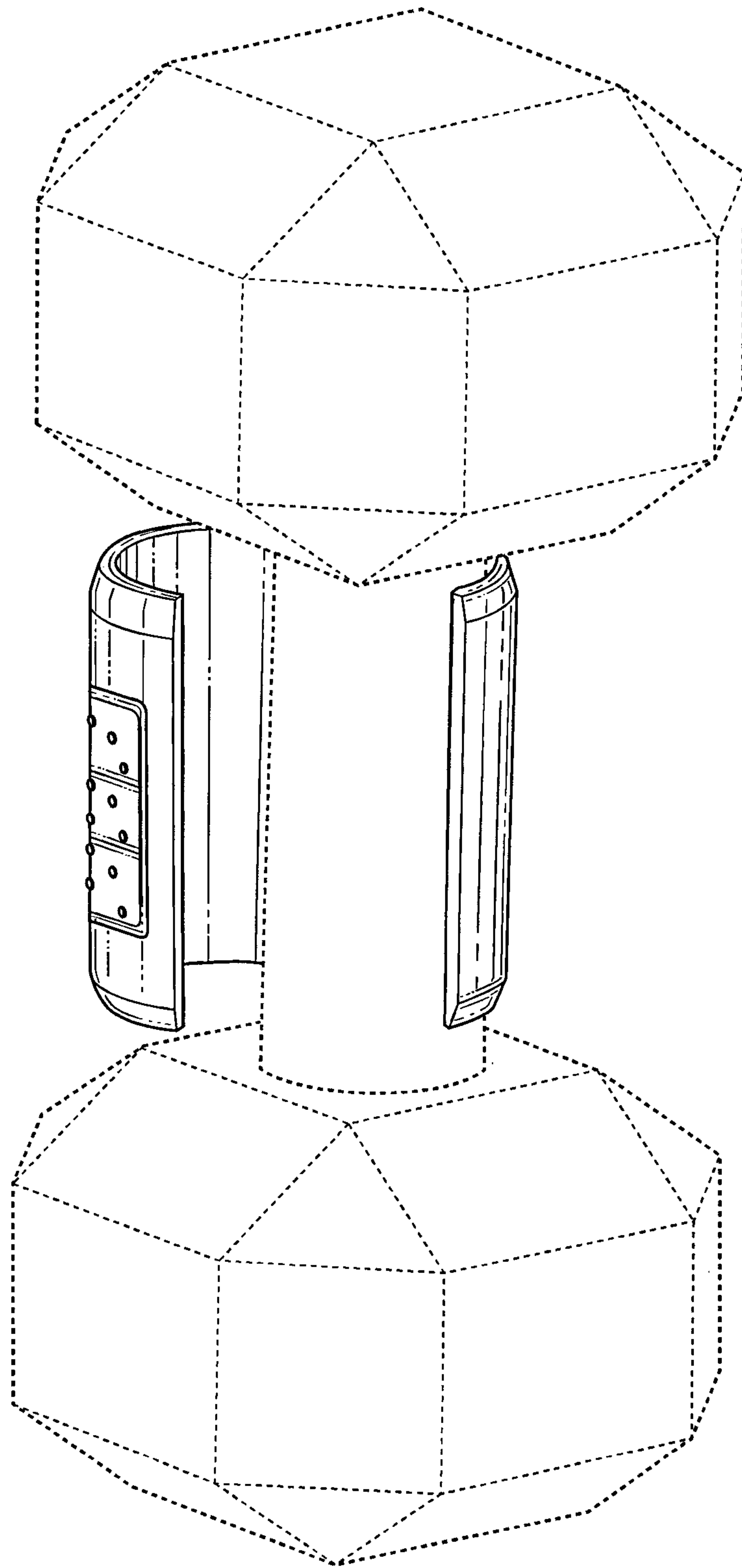


FIG. 1

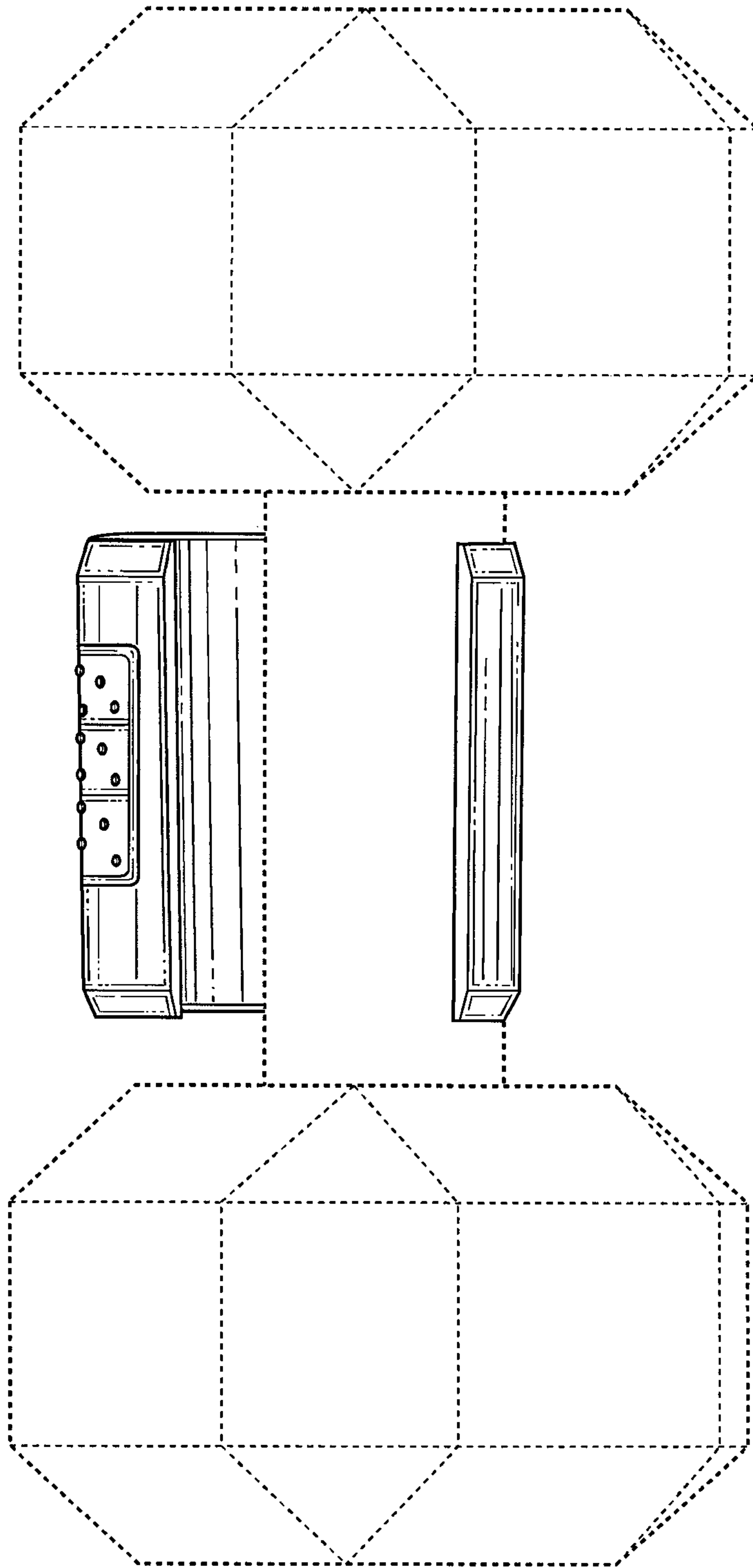


FIG. 2

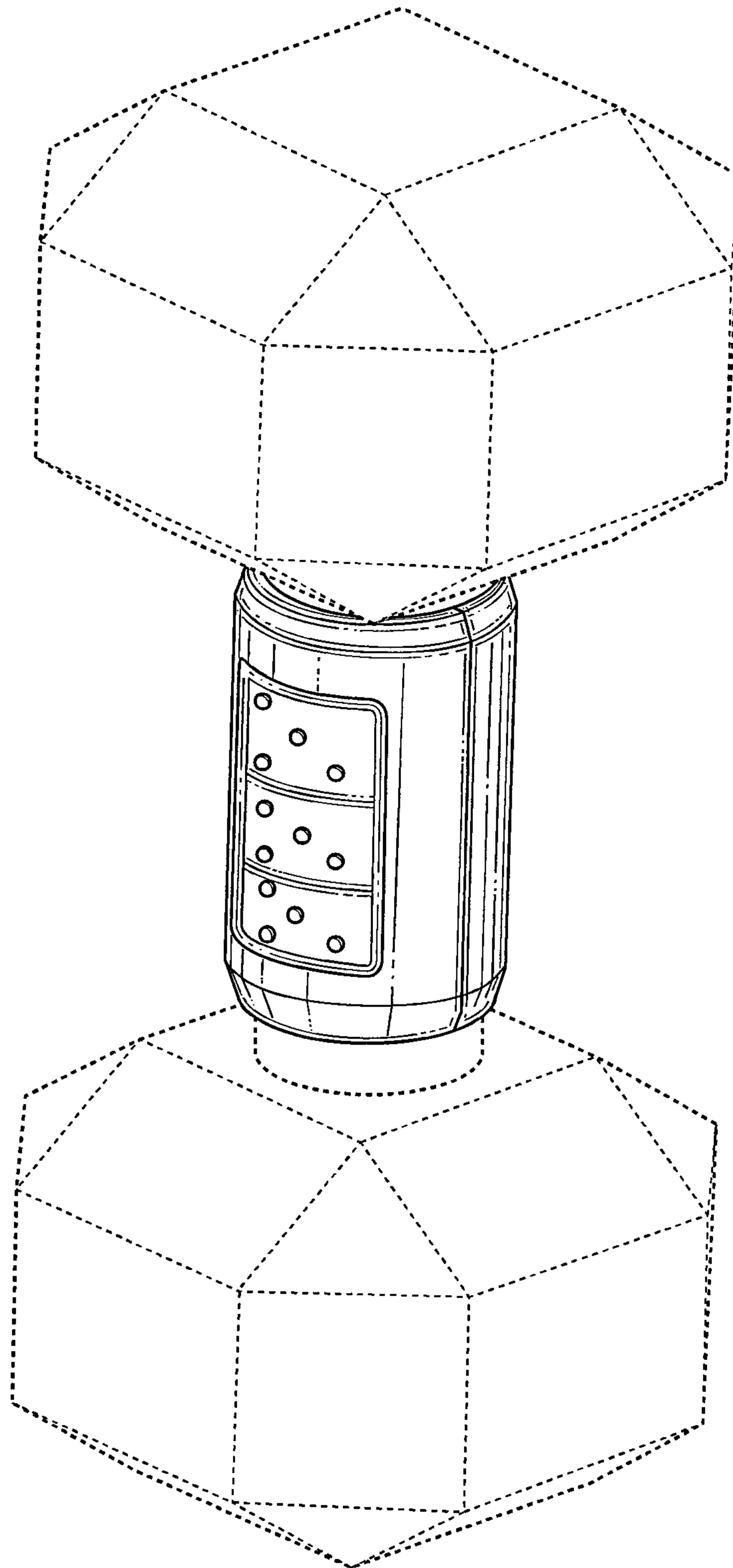


FIG. 3

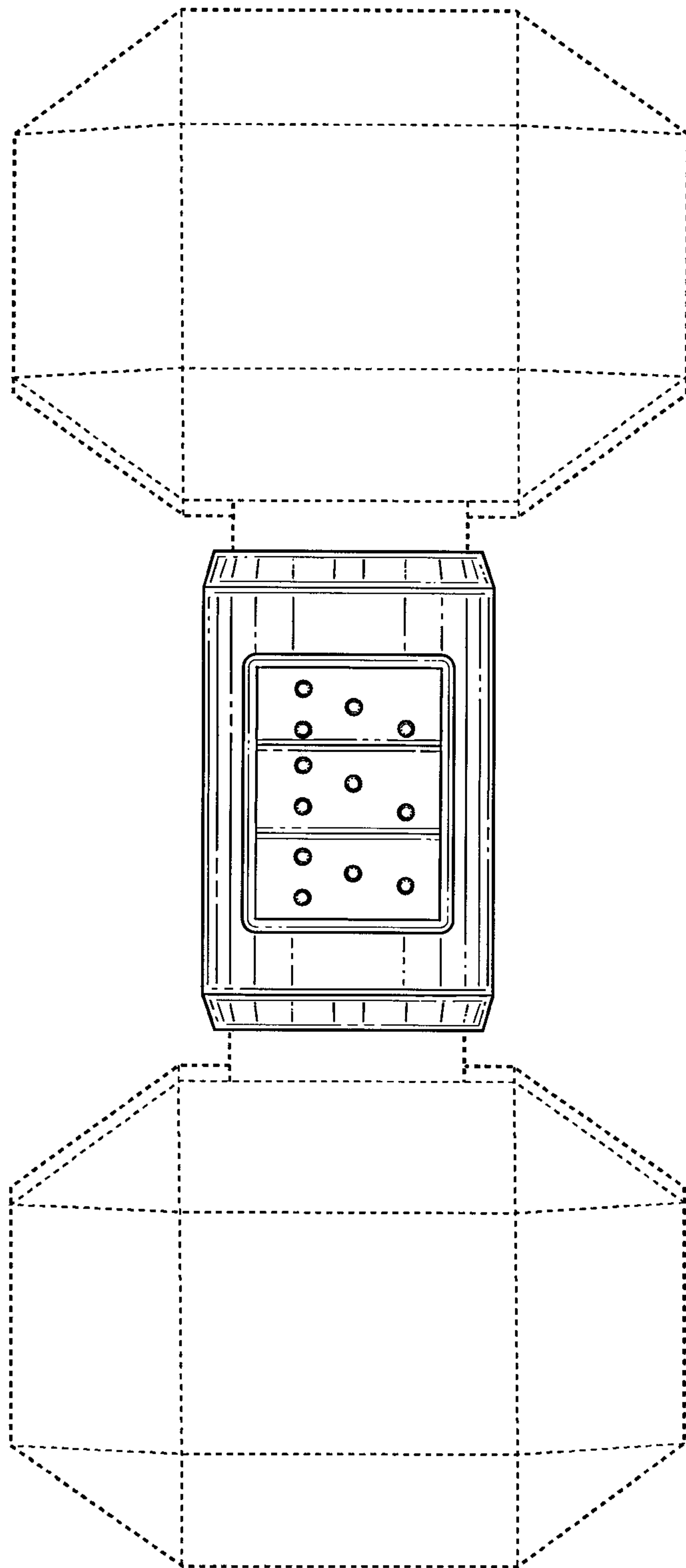


FIG. 4

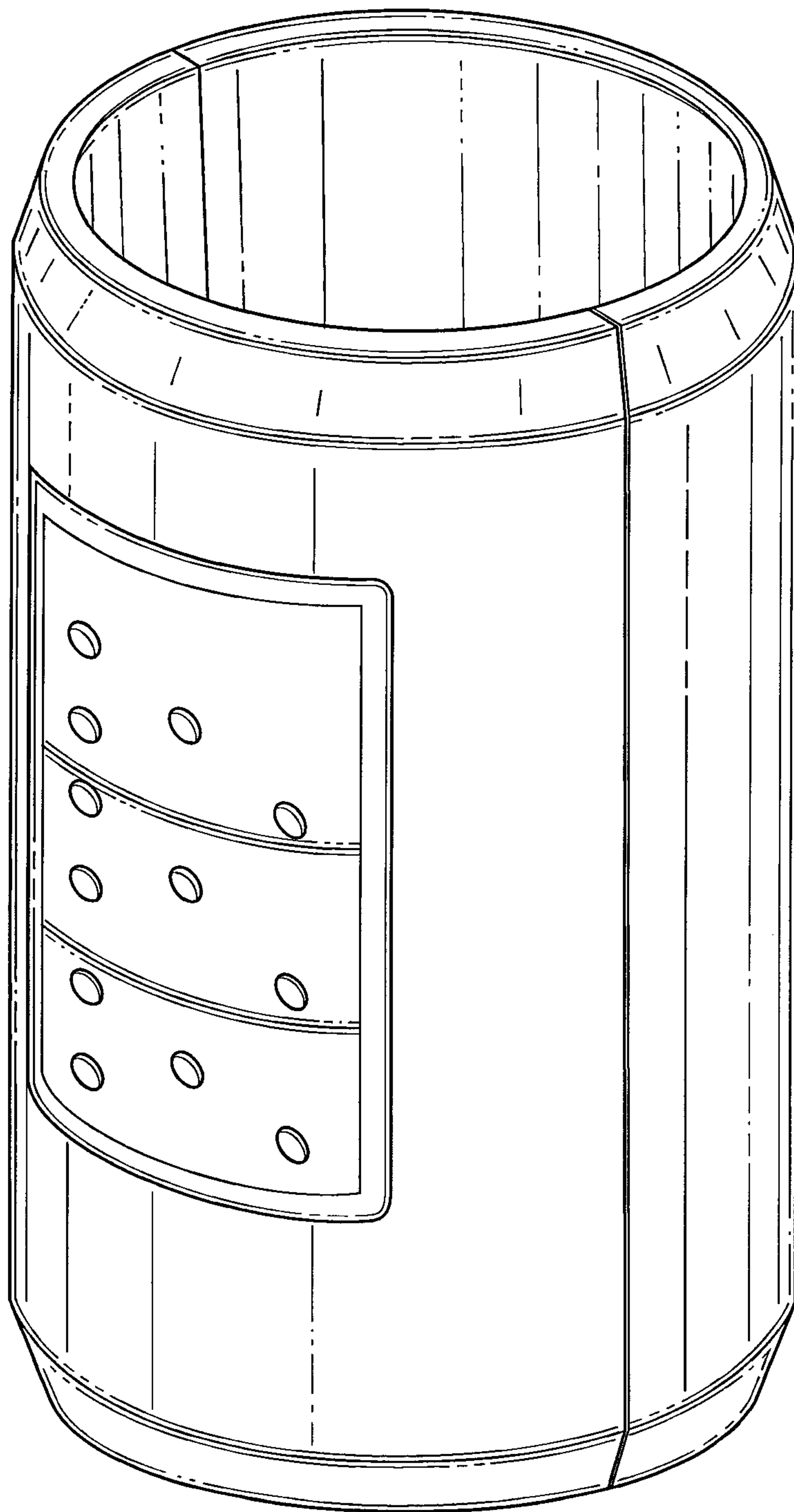


FIG. 5

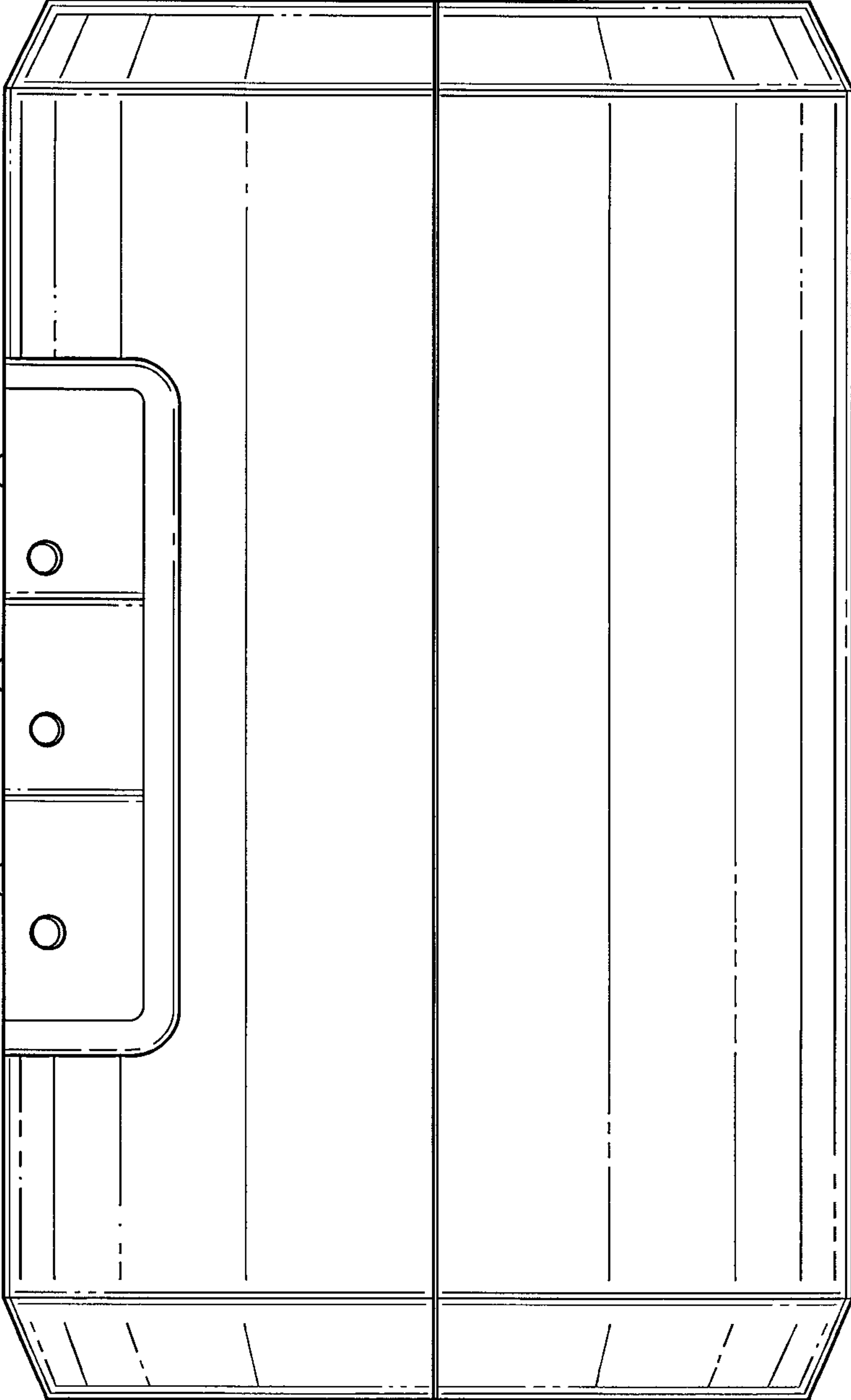


FIG. 6

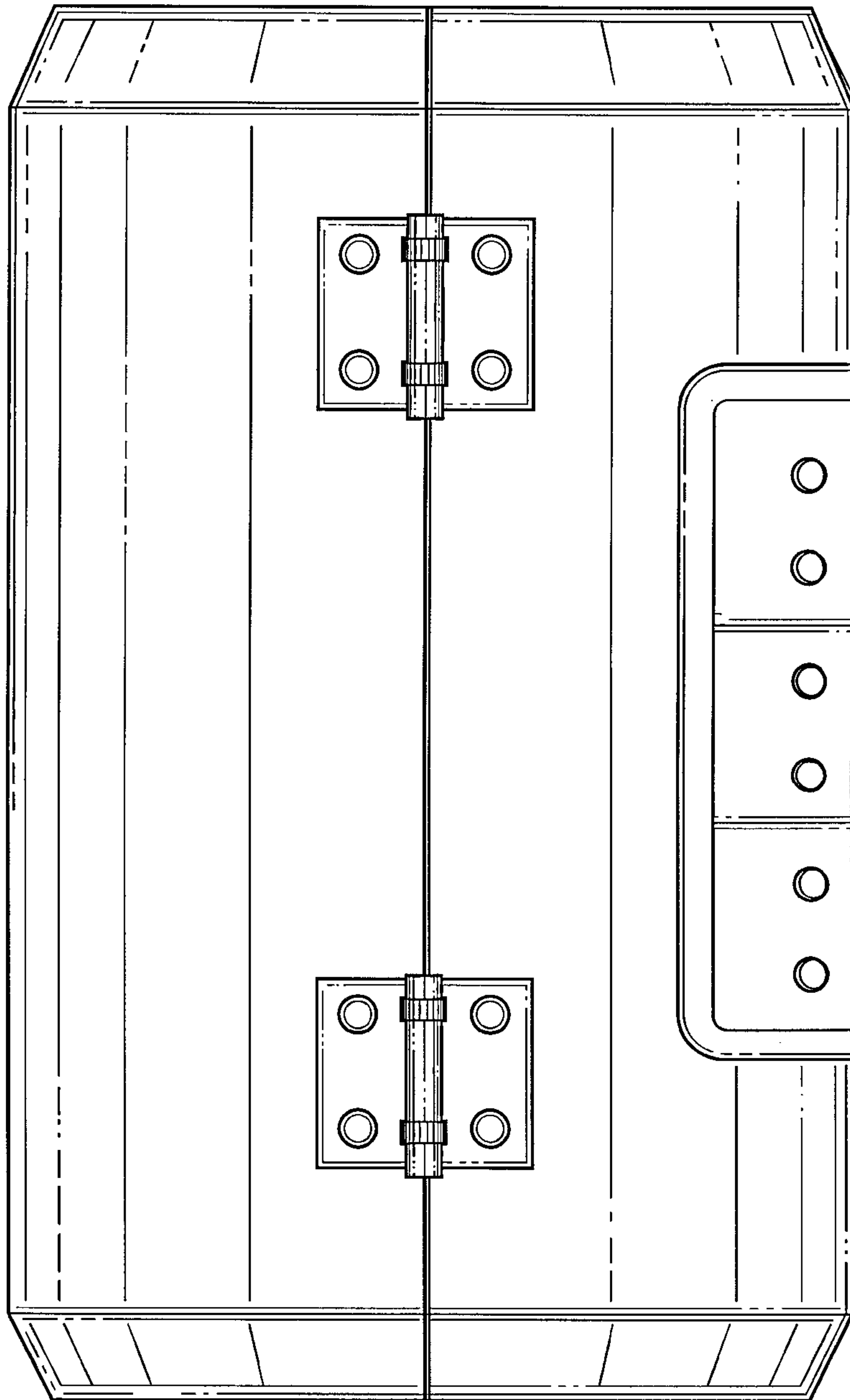


FIG. 7

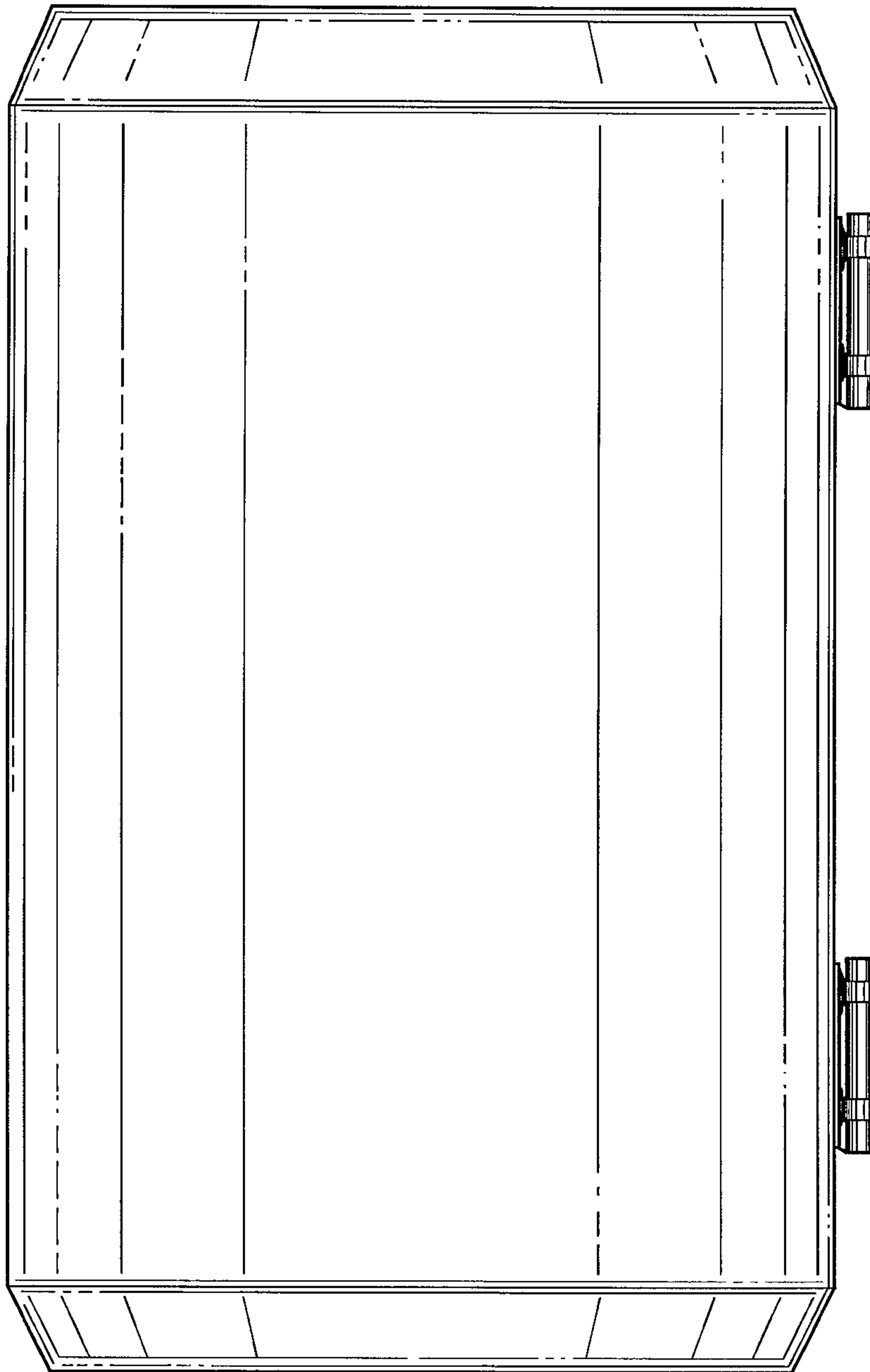


FIG. 8

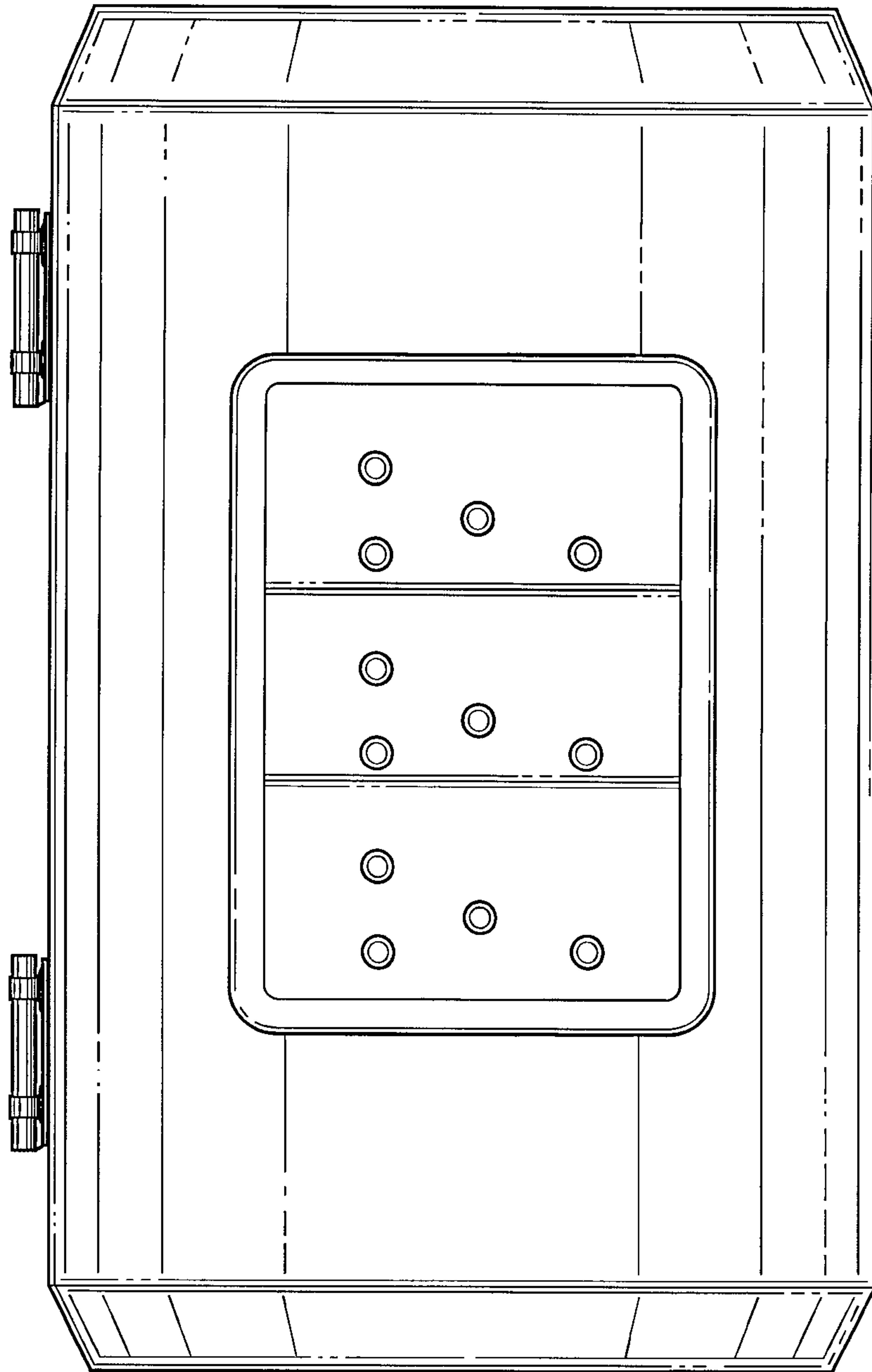


FIG. 9

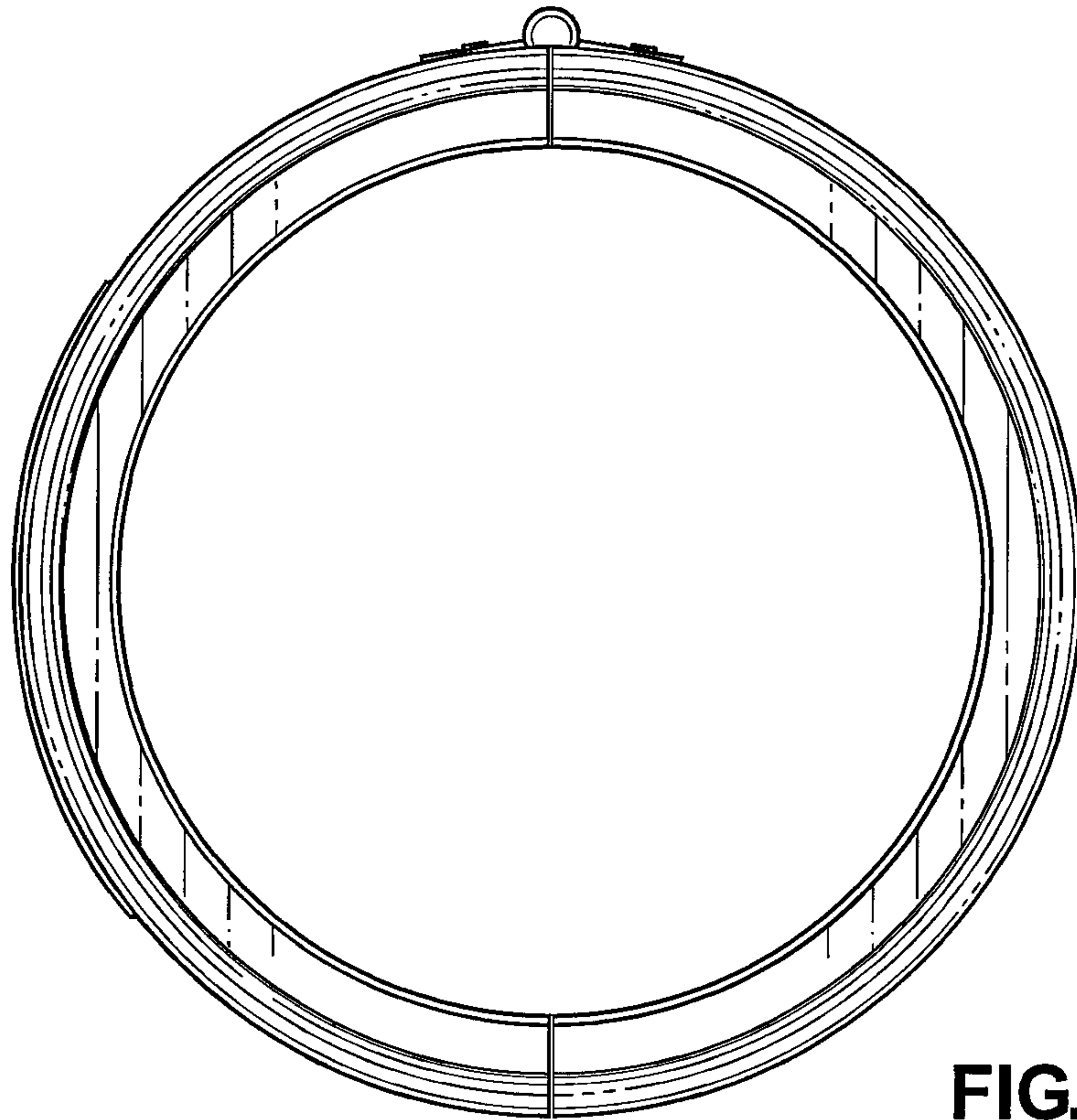


FIG. 10

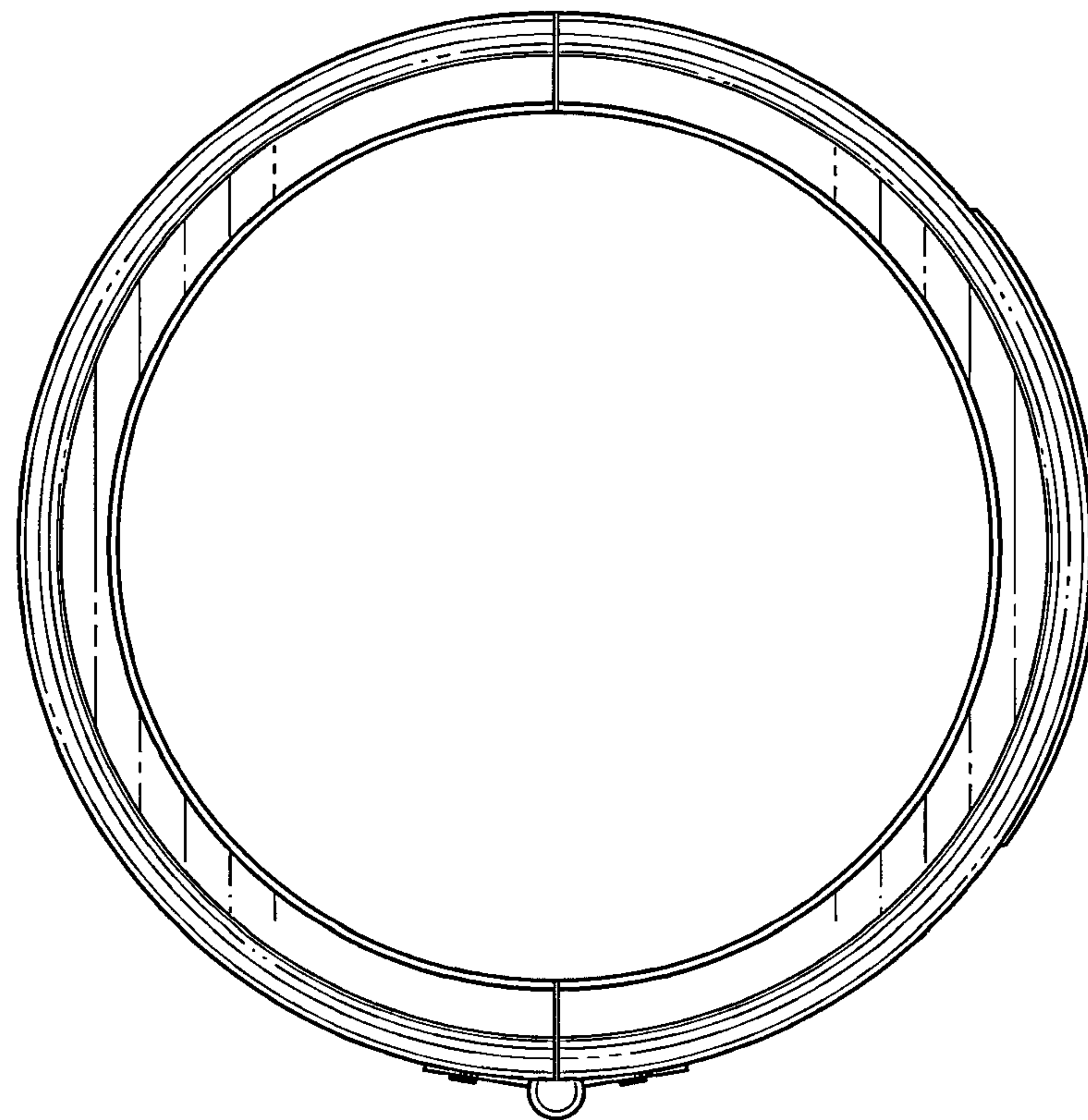


FIG. 11