



US00D980349S

(12) **United States Design Patent** (10) **Patent No.:** **US D980,349 S**
Petek (45) **Date of Patent:** **** Mar. 7, 2023**

(54) **DUMBBELL**

(71) Applicant: **Richard C. Petek**, Medina, OH (US)

(72) Inventor: **Richard C. Petek**, Medina, OH (US)

(**) Term: **15 Years**

(21) Appl. No.: **29/746,149**

(22) Filed: **Aug. 12, 2020**

(51) **LOC (14) Cl.** **21-02**

(52) **U.S. Cl.**
USPC **D21/682**

(58) **Field of Classification Search**

USPC D6/552; D21/662, 667-682, 684, 685,
D21/686, 692, 694
CPC A63B 2220/12; A63B 21/062; A63B
2220/13; A63B 69/3632; A63B 21/075;
A63B 21/063; A63B 21/0628; A63B
21/0724

See application file for complete search history.

(56) **References Cited**

U.S. PATENT DOCUMENTS

D405,484 S *	2/1999	Rojas	D21/682
D444,516 S *	7/2001	Pearson	D21/682
D465,151 S *	11/2002	Mixon	B65D 1/0223
				D9/500
D496,414 S *	9/2004	Harms	D21/681
D596,492 S *	7/2009	Safdieh	D21/682
D628,248 S *	11/2010	Januszek	D21/681
D628,250 S *	11/2010	Januszek	D21/681
D628,661 S *	12/2010	Januszek	D21/681
D685,442 S *	7/2013	Childs	D21/681
D735,278 S *	7/2015	Davies, III	D21/681
D740,379 S *	10/2015	Lien	D21/681
D920,449 S *	5/2021	Wang	D21/681
D936,762 S *	11/2021	Ye	D21/680

FOREIGN PATENT DOCUMENTS

CN 307140277 * 3/2022

OTHER PUBLICATIONS

VIGBODY Dumbbell Weights Barbell, first available Nov. 10, 2020, amazon.com [online], site visited [Apr. 15, 2022], Available from internet URL: <https://amzn.to/38V4sNL> (Year: 2020).*
“Relife Rebuild Your Life Dumbbell” May 8, 2020, Amazon, site visited Oct. 17, 2022: <https://amzn.to/3T5oyHc> (Year: 2020).*
“Grips,” Ergon Bike Ergonomics [online], [retrieved on Aug. 31, 2020]. Retrieved from the internet: <URL: https://ergonbike.shop/collections/grips/comfort-touring?gclid=EAIaIQobChMIvaHB_pvl6gIVEdvACH2N1gLLEAAYASAAEgKjovD_BwE>.
“Contour XC Grips,” Specialized.com [online],[retrieved on Aug. 31, 2020], Retrieved from the internet: <URL: https://www.specialized.com/us/en/contour-xc-grips/p/155398?color=236577-155398&searchText=25519-1100&gclid=EAIaIQobChMltdXpop316glV-UNbACh3waAzfEAQYASABEgK1U_D_BwE>.
“Ergonomics the fit,” SQ lab Sports Ergonomics [online], [retrieved on Aug. 31, 2020], Retrieved from the internet: <URL: <https://sqlab-USA.com/pages/hand-grips-ergonomics>>.
“Bontrager Satellite Elite Grip Set,” TREK Electra [online], [retrieved on Sep. 1, 2020], Retrieved from the internet: <URL: https://www.trekbikes.com/us/en_US/equipment/cycling-components/bike-handlebar-grips-tape/bike-handlebar-grips/bontrager-satellite-elite-grip-set/p/21901/?colorCode=black>.

* cited by examiner

Primary Examiner — Jennifer L Rempfer

Assistant Examiner — Salamah Jordan

(74) *Attorney, Agent, or Firm* — Tucker Ellis LLP

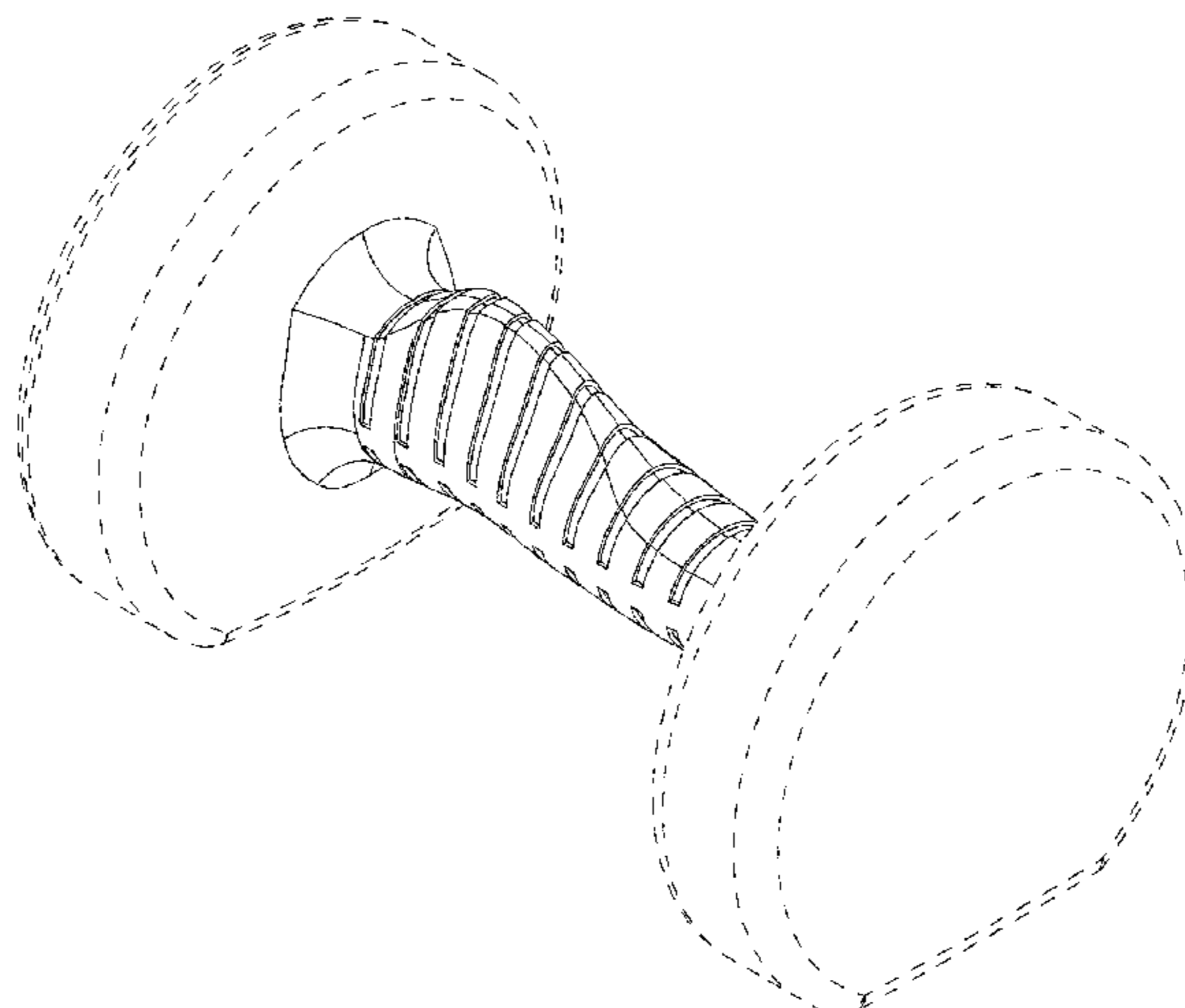
(57) **CLAIM**

The ornamental design for a dumbbell, as shown and described.

DESCRIPTION

FIG. 1 is a perspective view of a dumbbell showing my new design;
FIG. 2 is a front view thereof;
FIG. 3 is a rear view thereof;
FIG. 4 is a top view thereof;
FIG. 5 is a bottom view thereof;
FIG. 6 is a left side view thereof; and,
FIG. 7 is a right side view thereof.
The broken lines show portions of the design that form no part of the claimed design.

1 Claim, 4 Drawing Sheets



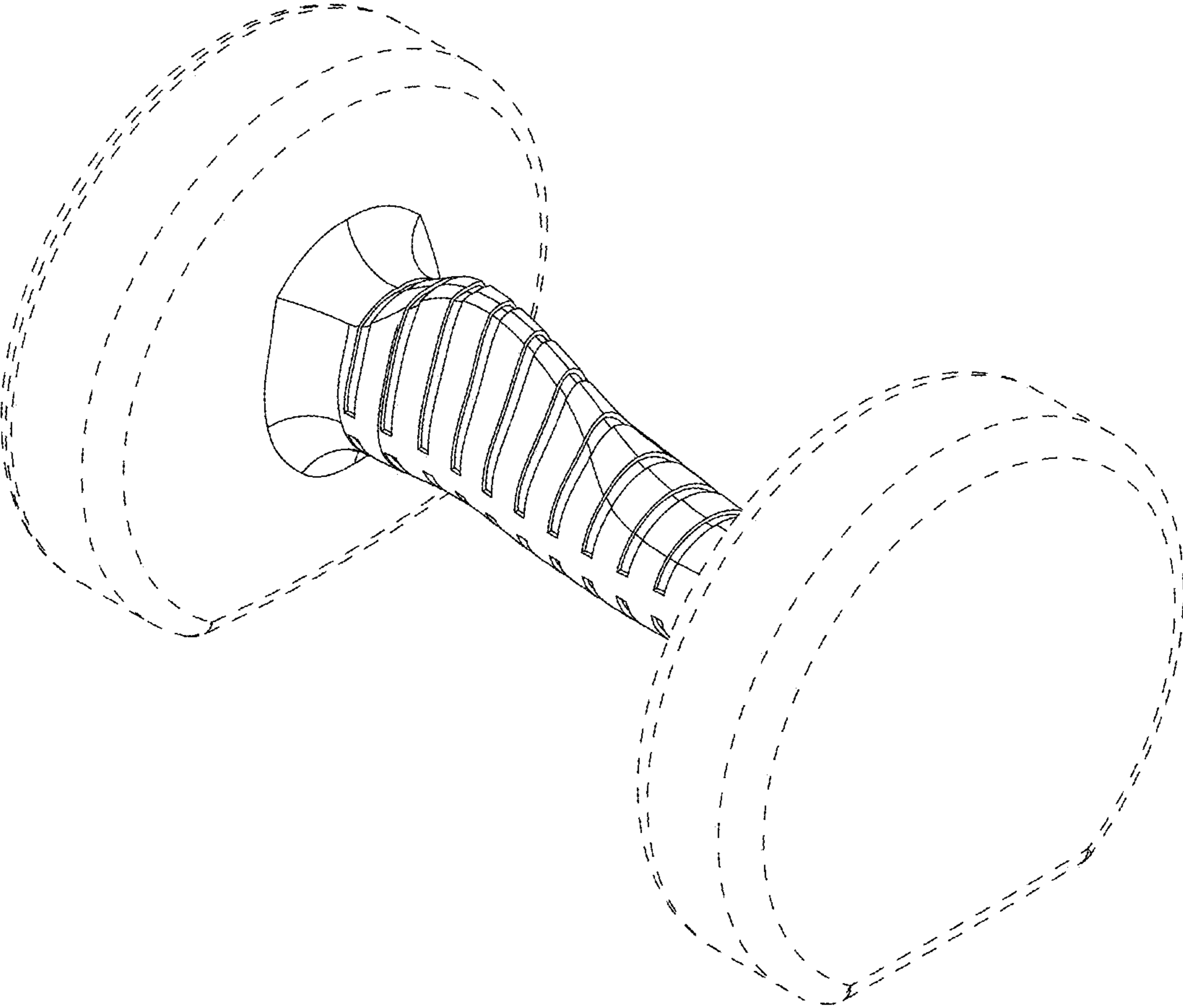


FIG. 1

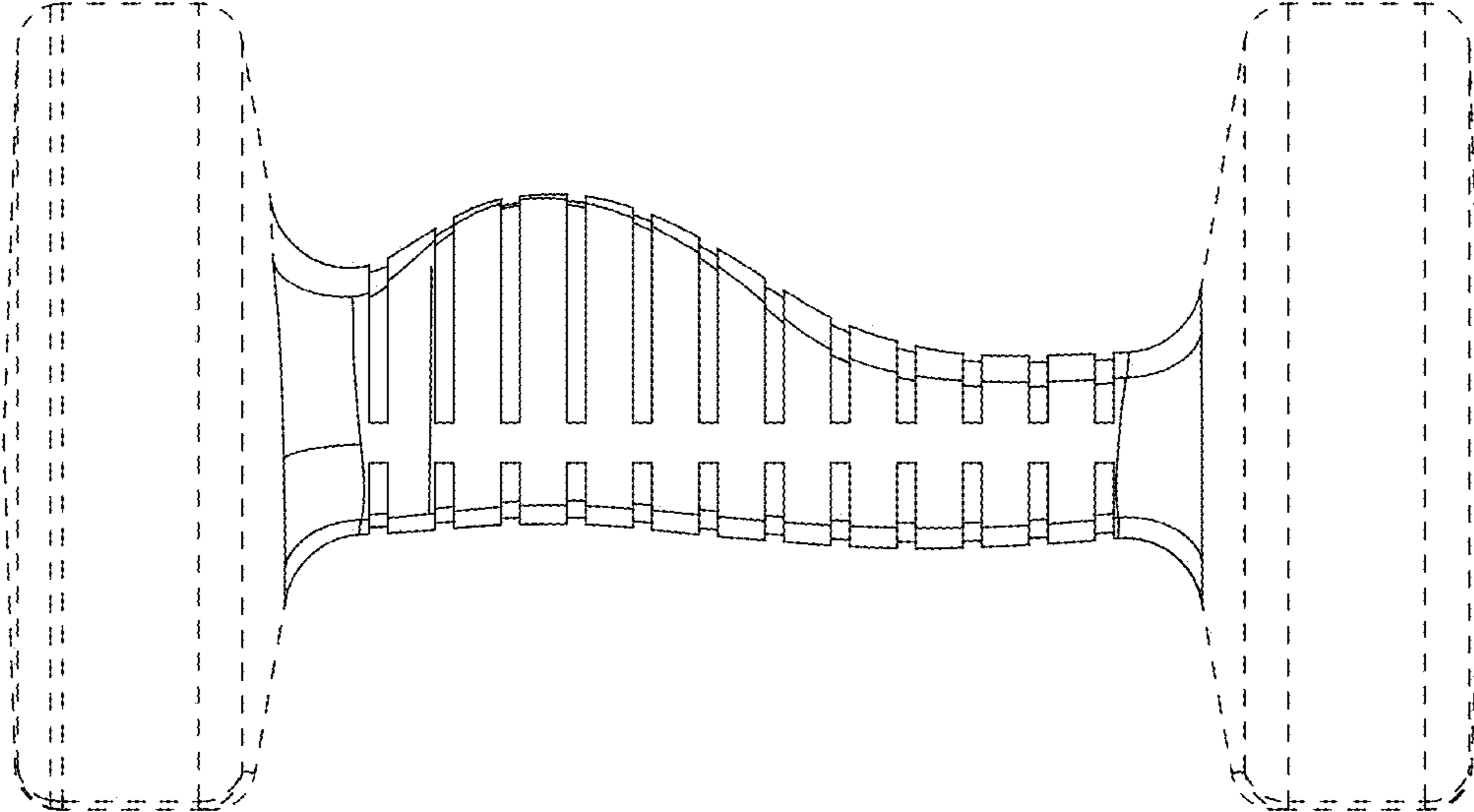


FIG. 2

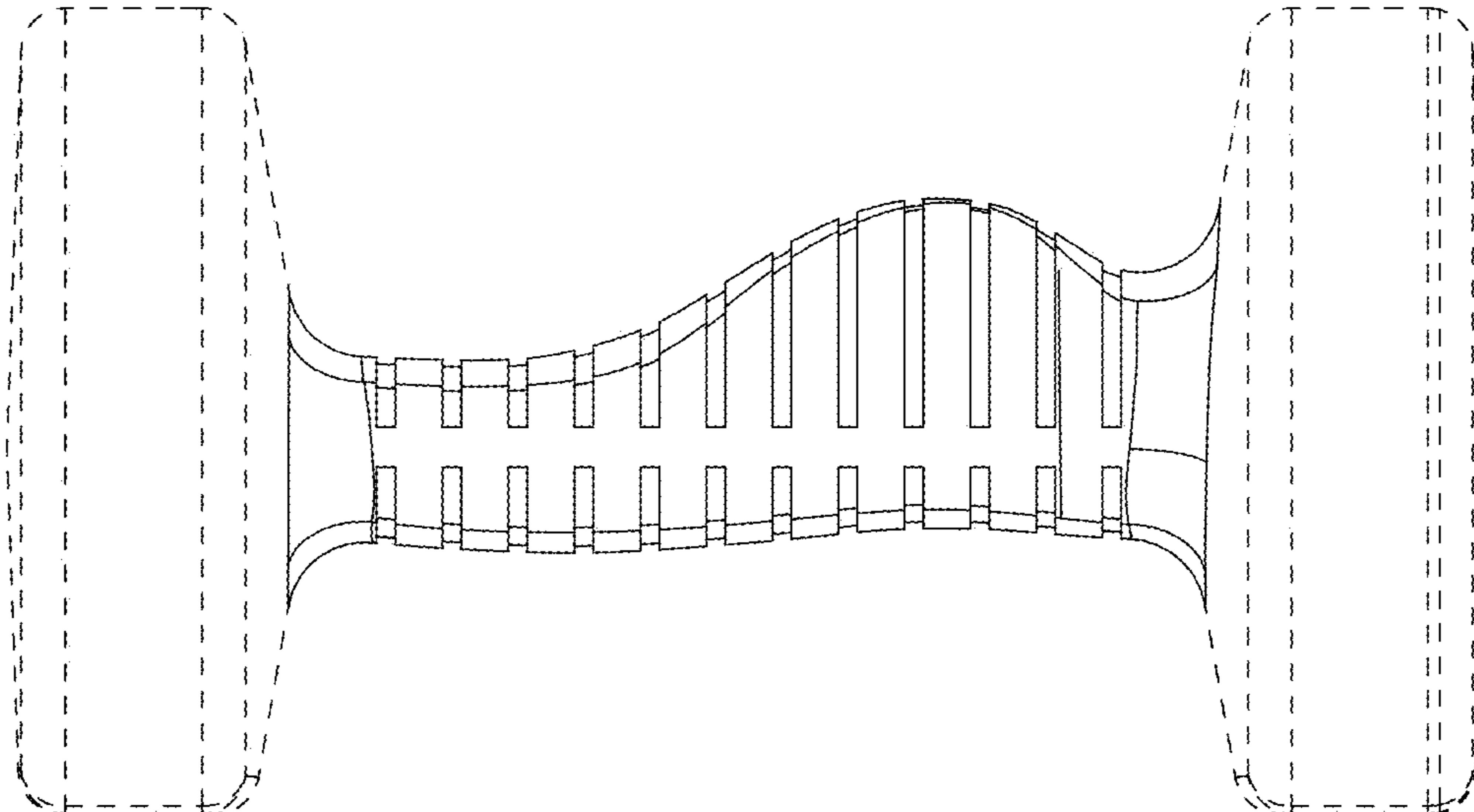


FIG. 3

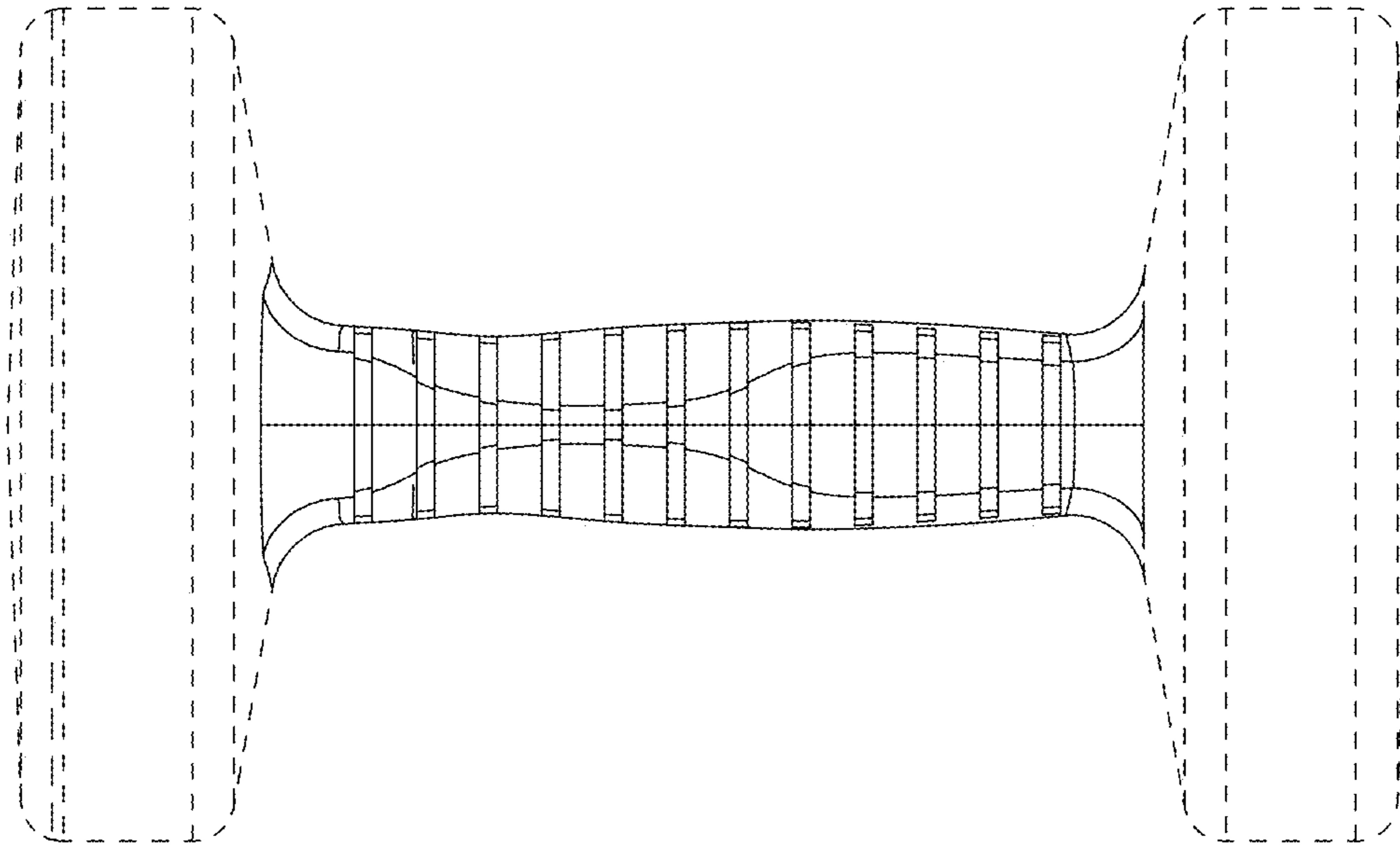


FIG. 4

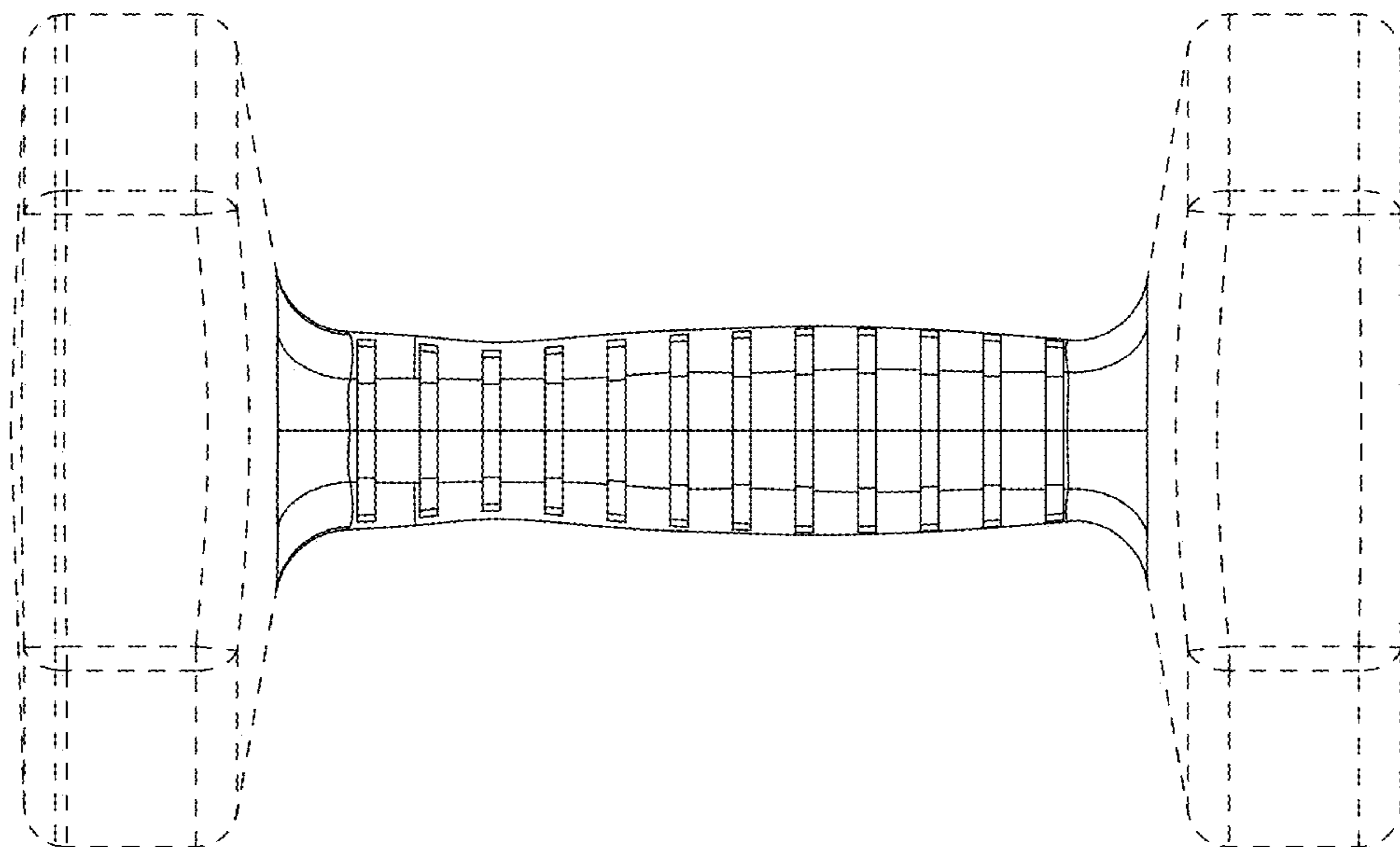


FIG. 5

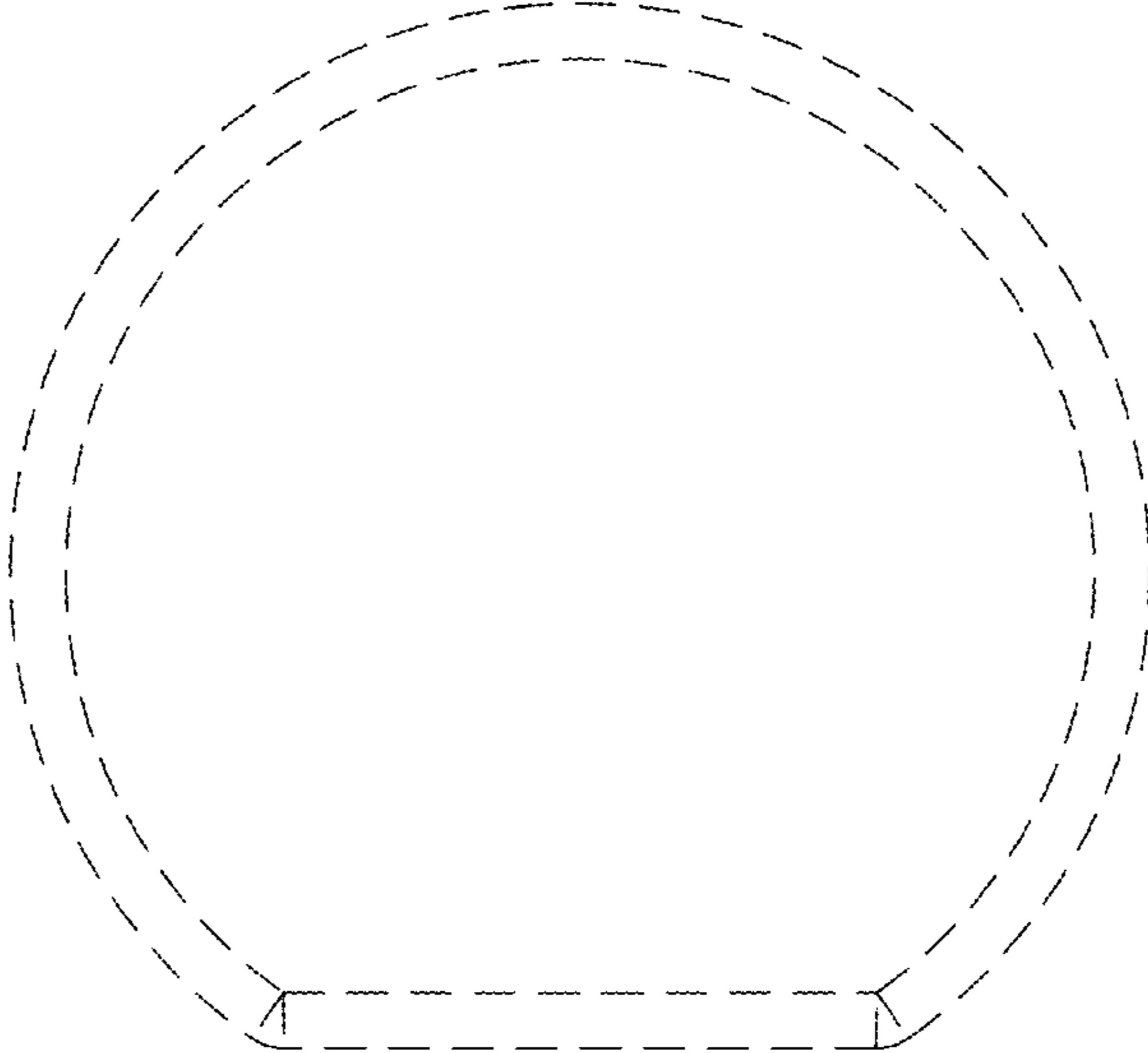


FIG. 6

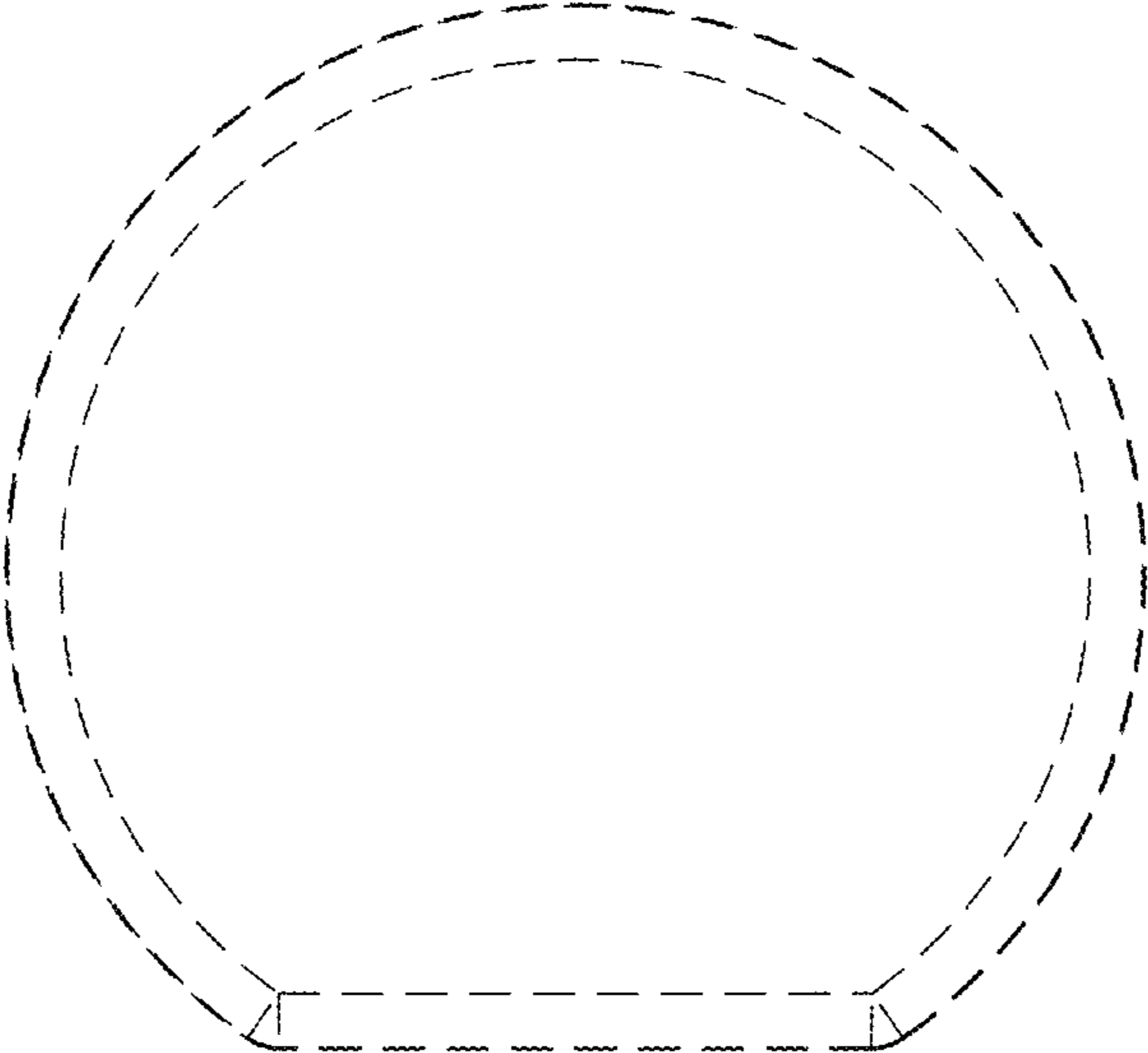


FIG. 7