



US00D980348S

(12) **United States Design Patent** (10) **Patent No.:** **US D980,348 S**
Dan (45) **Date of Patent:** **** Mar. 7, 2023**

(54) **KETTLEBELL**
(71) Applicant: **Xingguo Dan**, Yancheng (CN)
(72) Inventor: **Xingguo Dan**, Yancheng (CN)
(**) Term: **15 Years**

D712,987 S * 9/2014 Salzedo D21/662
D796,592 S 9/2017 Towley
D832,942 S 11/2018 Arceta
D899,533 S * 10/2020 Chiu D21/680
D905,803 S * 12/2020 Kim D21/680
D949,261 S * 4/2022 Connors, Jr. D24/188
2014/0249001 A1 * 9/2014 Malvezzi A63B 21/072
482/93

(21) Appl. No.: **29/857,679**
(22) Filed: **Oct. 25, 2022**
(51) **LOC (14) Cl.** **21-02**
(52) **U.S. Cl.**
USPC **D21/680**
(58) **Field of Classification Search**
USPC D21/94, 662, 684, 675, 677, 681, 756,
D21/774, 807, 680, 791, 771, 686, 437;
D30/160; D8/300, 303, 314, 319, 320,
D8/321
See application file for complete search history.

OTHER PUBLICATIONS

Topknobs, announced 2011 [online], [site visited Dec. 11, 2022]. Available on internet, URL: <https://www.amazon.com/dp/B005R3F7HG/ref> (Year: 2011).*

* cited by examiner

Primary Examiner — Khawaja Anwar
Assistant Examiner — Julice Seung Eun Oum
(74) *Attorney, Agent, or Firm* — Daniel M. Cohn;
Howard M. Cohn

(56) **References Cited**

U.S. PATENT DOCUMENTS

1,547,558 A * 7/1925 Browne A63B 65/08
473/590
D276,835 S * 12/1984 Killen D21/679
4,557,219 A * 12/1985 Edwards A01K 15/026
119/710
D283,143 S * 3/1986 Ruhf D21/437
D290,030 S * 5/1987 Darnell D21/437
D322,827 S * 12/1991 Bennstrom D21/684
D463,837 S * 10/2002 Tuller D21/687
6,659,832 B1 * 12/2003 Chen A63H 33/18
473/590
D675,686 S * 2/2013 Maki A63B 21/4035
D21/694
D696,922 S * 1/2014 Cubillo D8/303

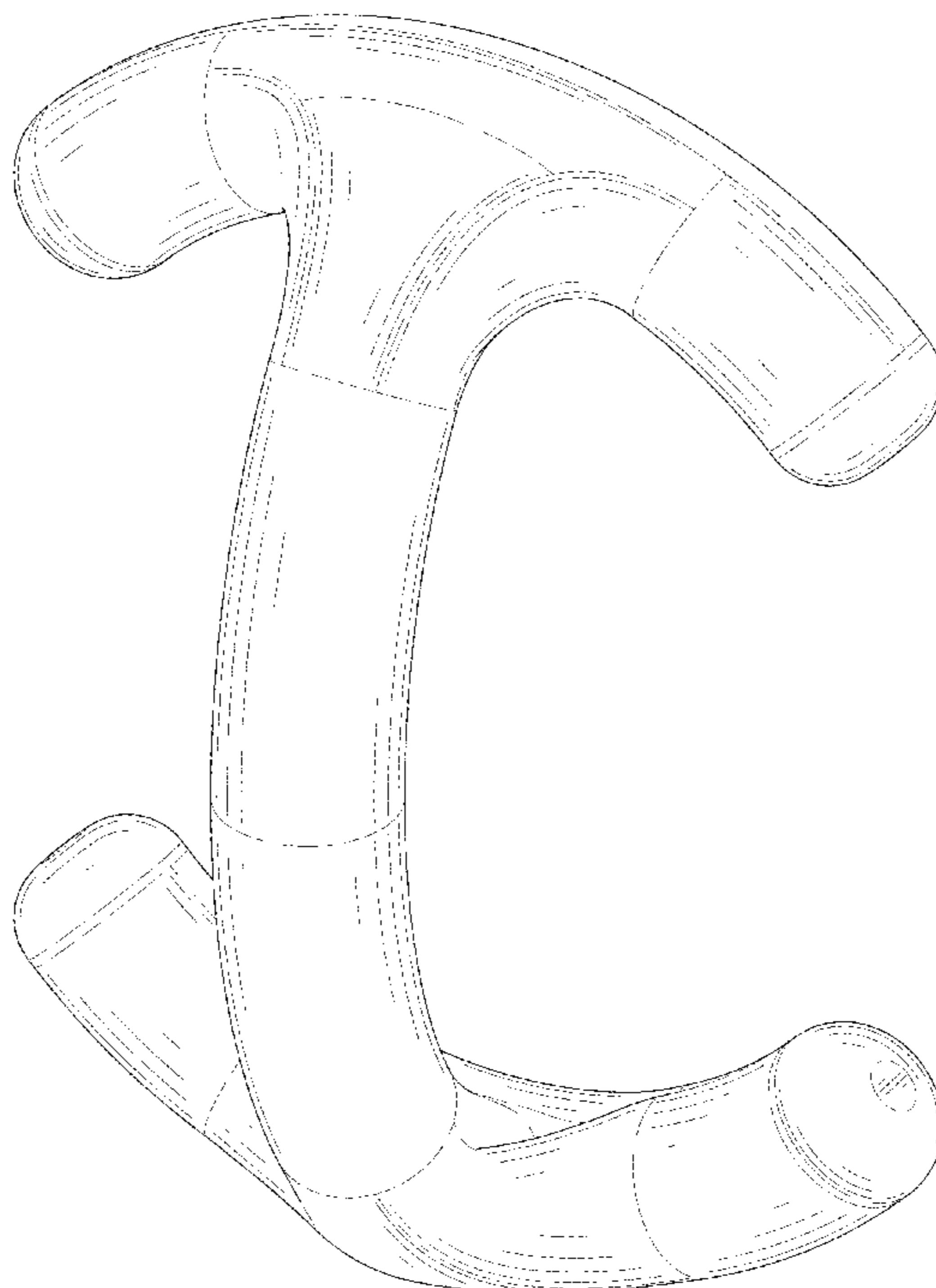
(57) **CLAIM**

The ornamental design for a kettlebell, as shown and described.

DESCRIPTION

FIG. 1 is a perspective view of a kettlebell showing my new design;
FIG. 2 is another perspective view thereof;
FIG. 3 is a front elevational view thereof;
FIG. 4 is a rear elevational view thereof;
FIG. 5 is a left side elevational view thereof;
FIG. 6 is a right side elevational view thereof;
FIG. 7 is a top plan view thereof; and,
FIG. 8 is a bottom plan view thereof.

1 Claim, 8 Drawing Sheets



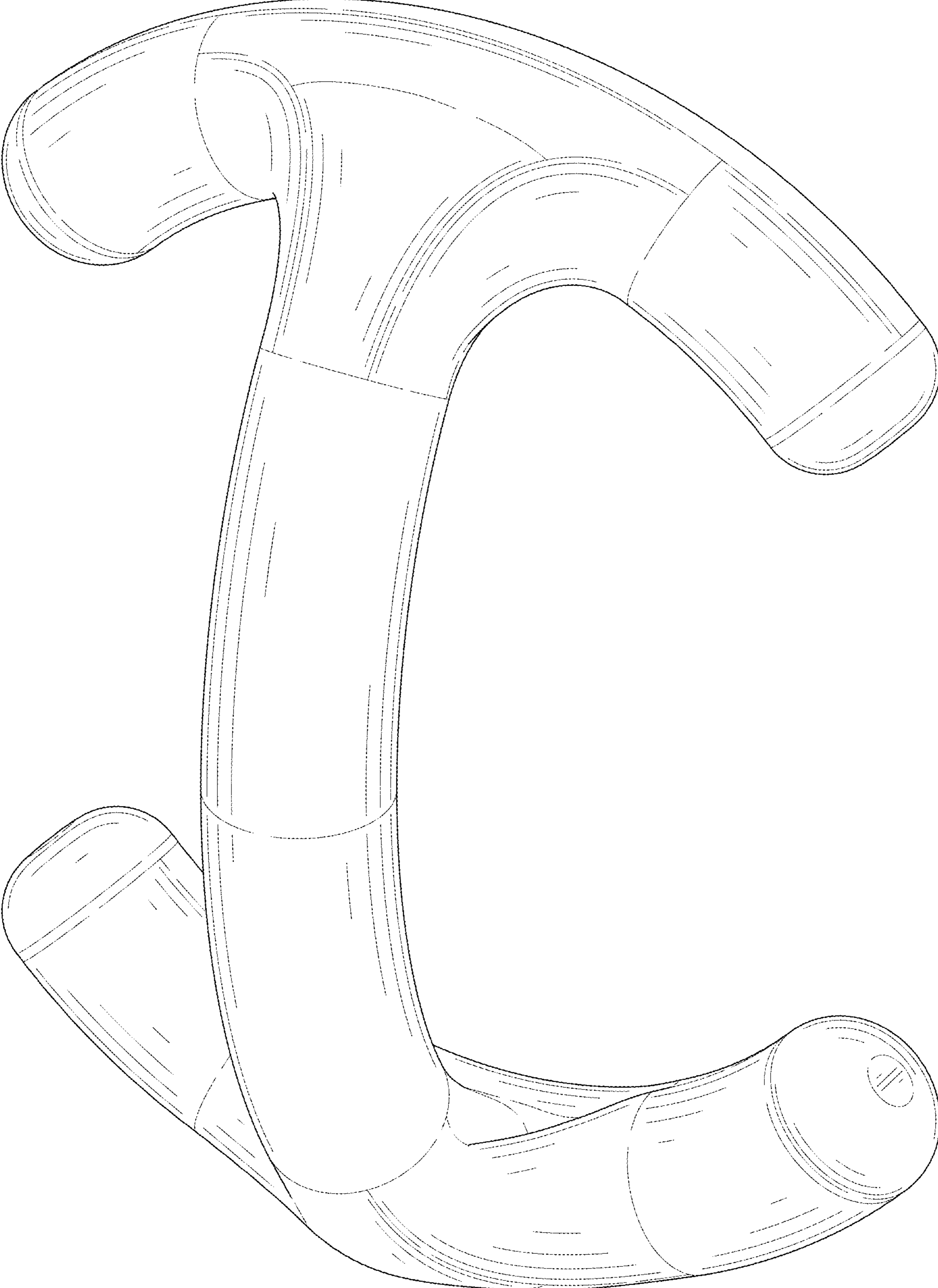


FIG. 1

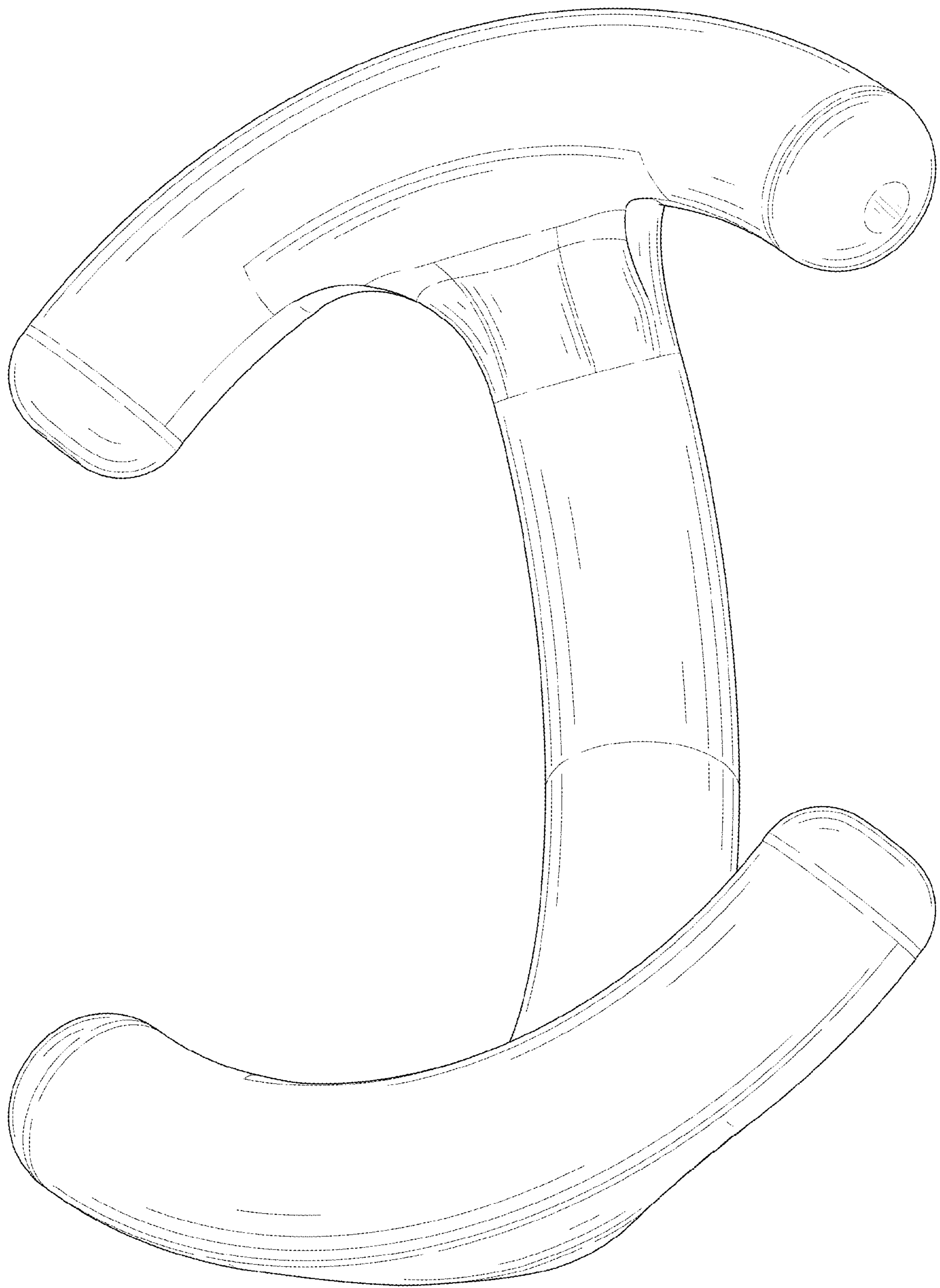


FIG. 2

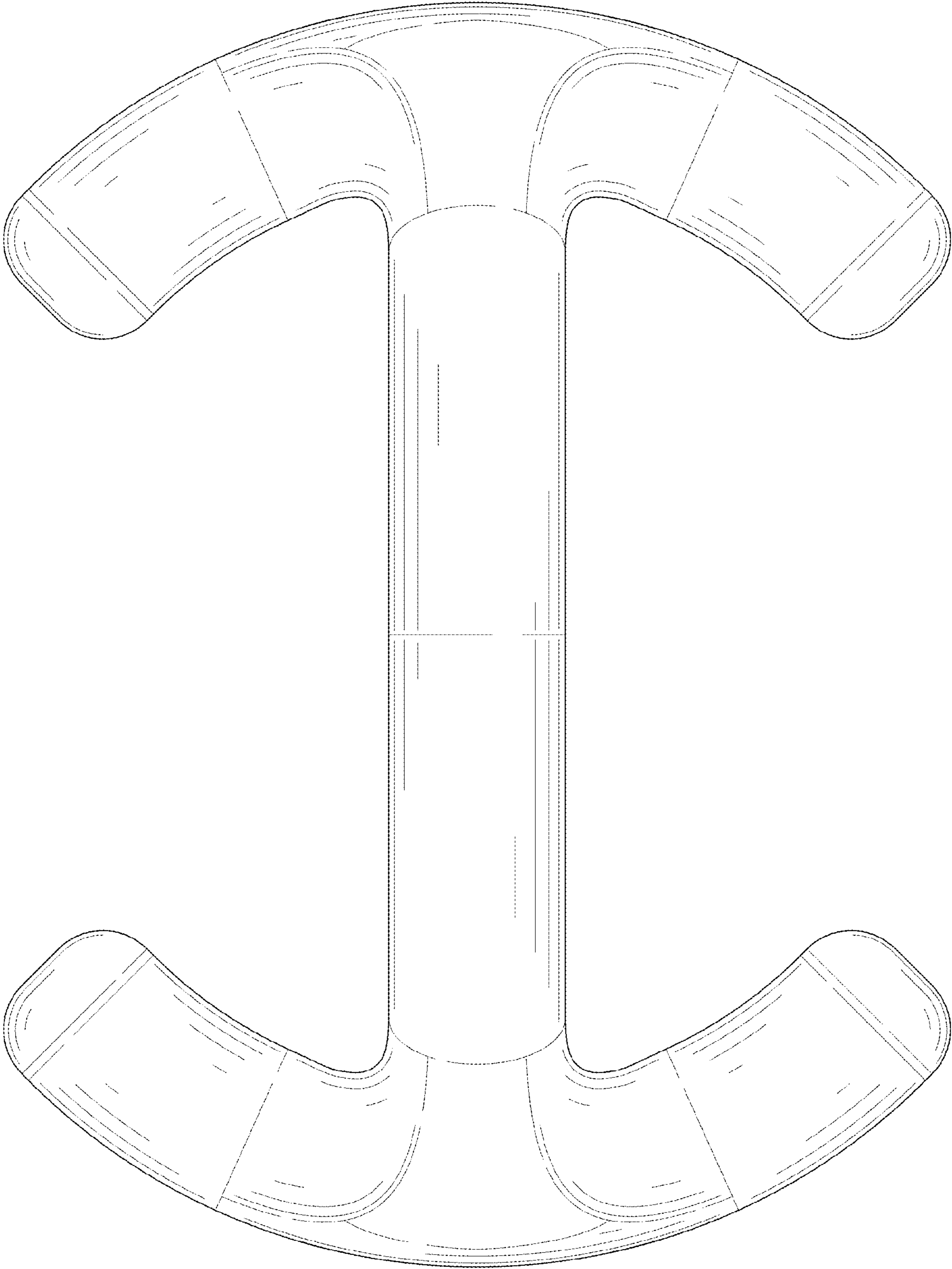


FIG. 3

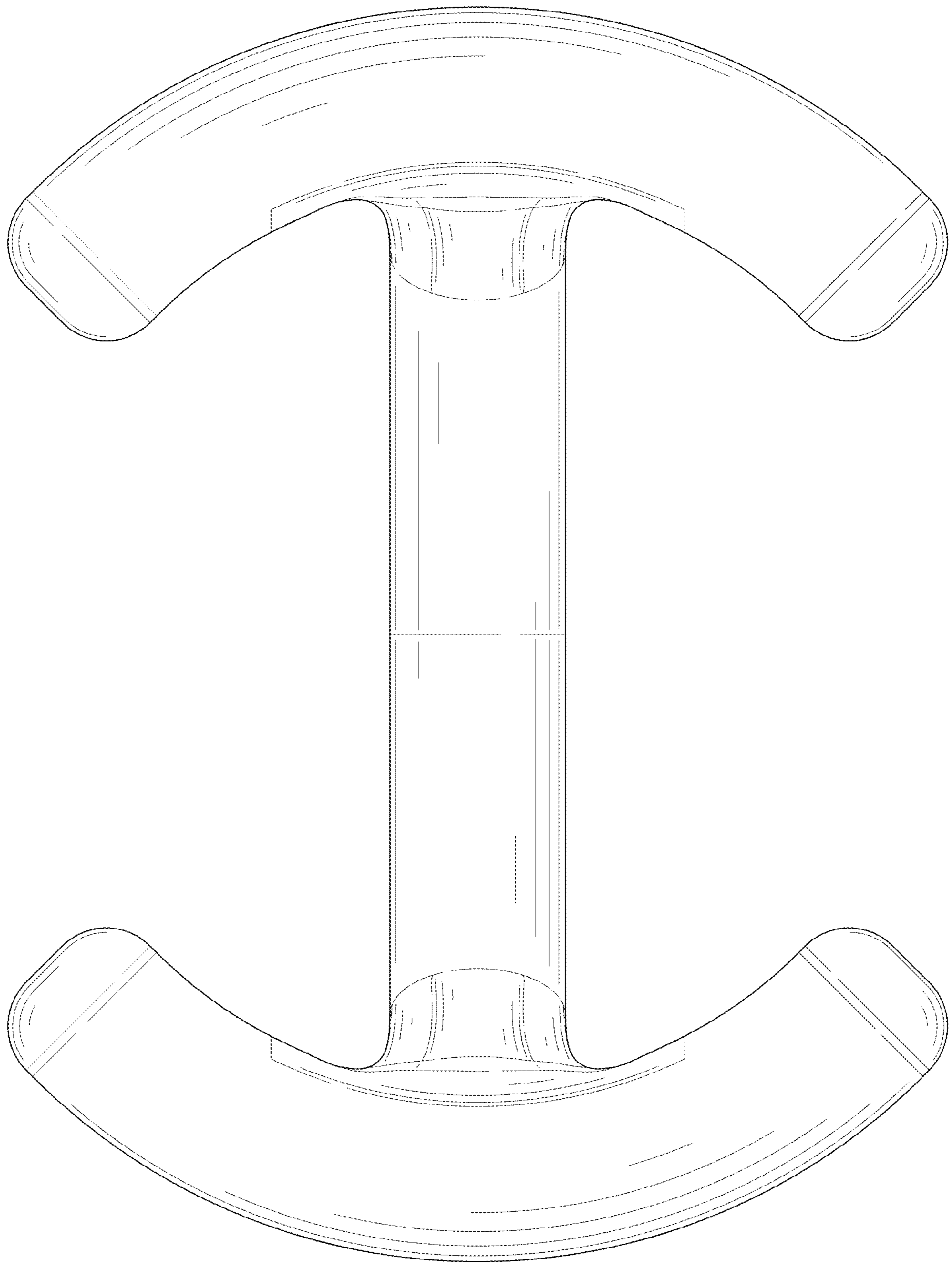


FIG. 4

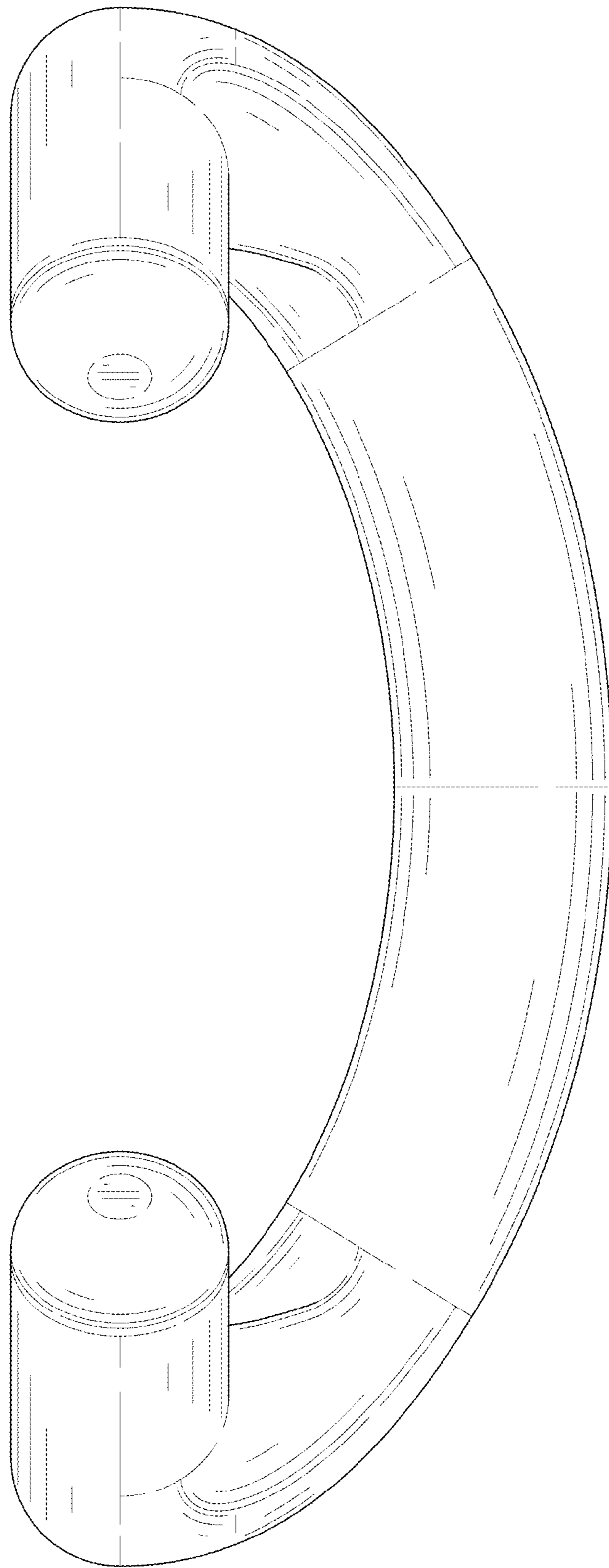


FIG. 5

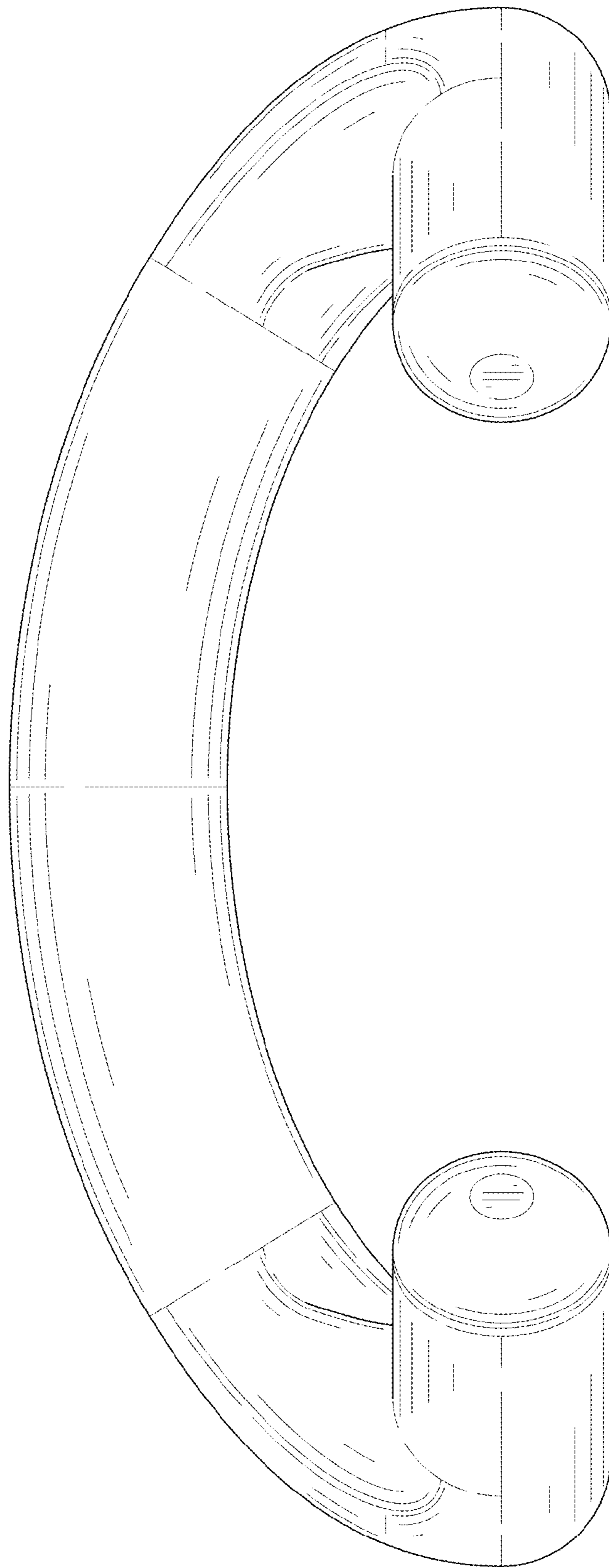


FIG. 6

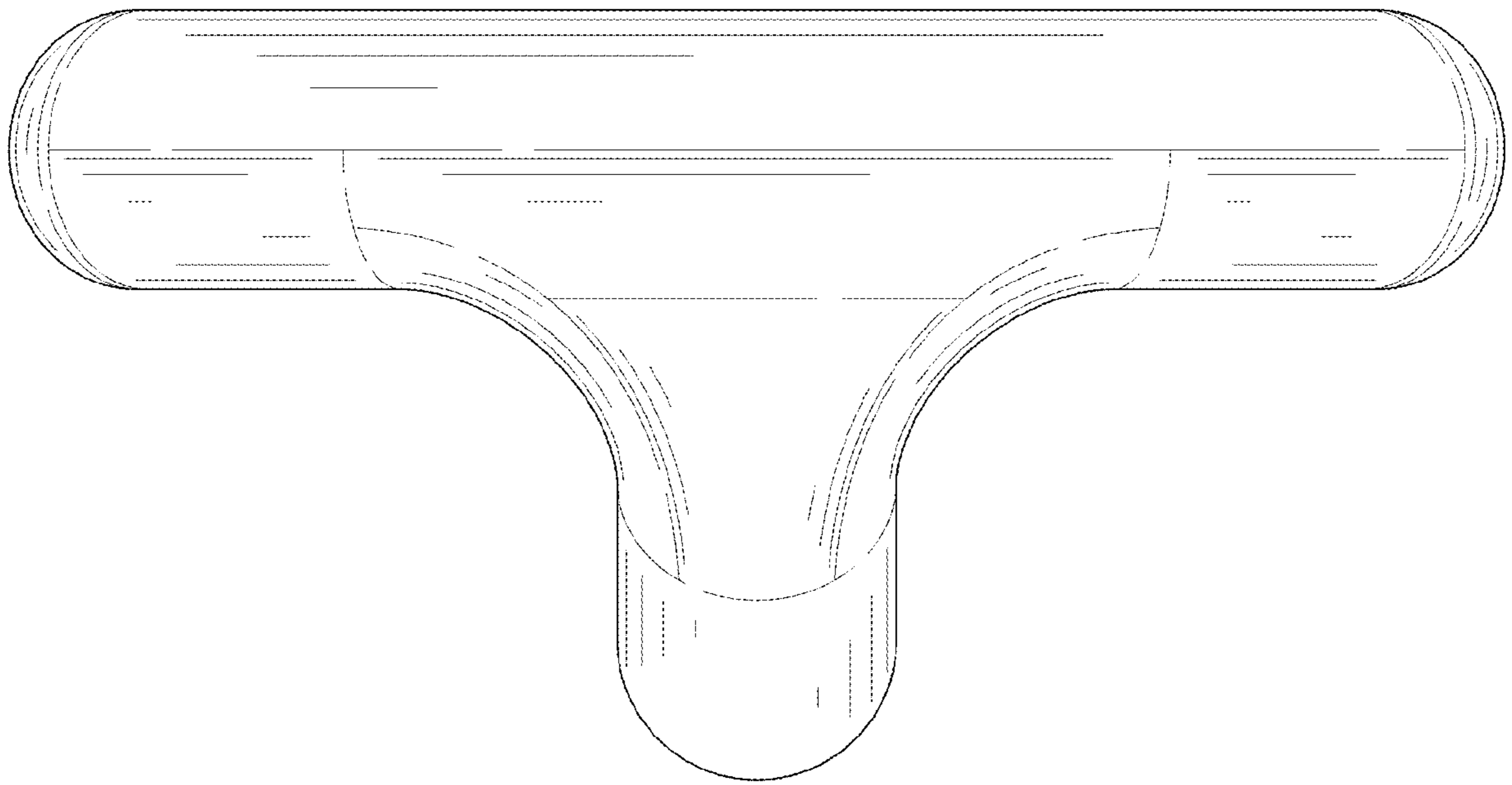


FIG. 7

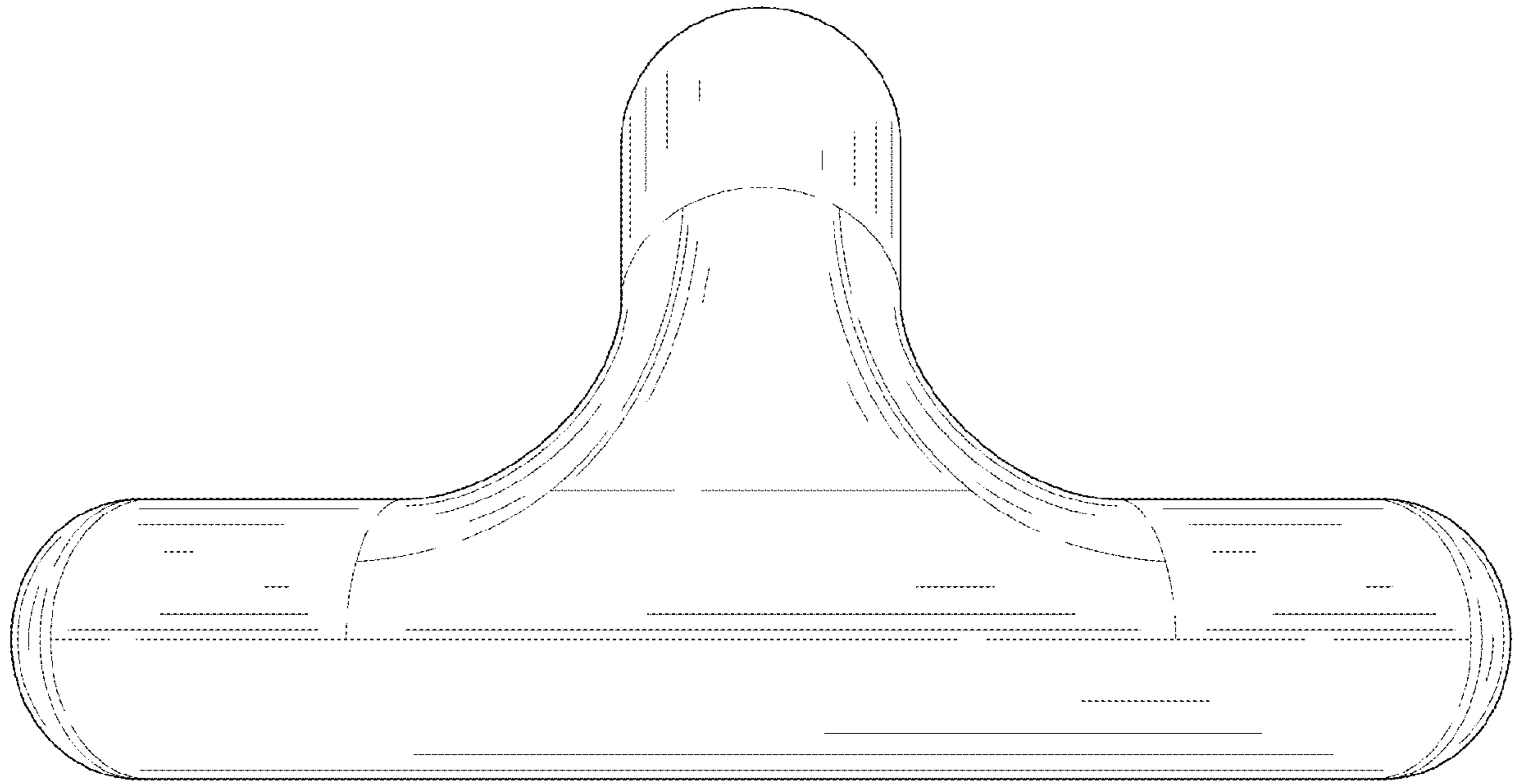


FIG. 8