



US00D980346S

(12) **United States Design Patent** (10) **Patent No.:** **US D980,346 S**
Liao (45) **Date of Patent:** **** Mar. 7, 2023**

(54) **ACTION FIGURE**

(71) Applicant: **MerchSource, LLC**, Irvine, CA (US)

(72) Inventor: **Denny Liao**, Tustin, CA (US)

(73) Assignee: **MerchSource, LLC**, Irvine, CA (US)

(**) Term: **15 Years**

(21) Appl. No.: **29/823,425**

(22) Filed: **Jan. 17, 2022**

Related U.S. Application Data

(63) Continuation of application No. 29/729,065, filed on Mar. 24, 2020, now Pat. No. Des. 941,405.

(51) **LOC (14) Cl.** **21-01**

(52) **U.S. Cl.**
USPC **D21/659**

(58) **Field of Classification Search**
USPC D21/621, 622, 630, 631, 634, 635, 636,
D21/637, 659

CPC A63H 3/00; A63H 3/001; A63H 3/003;
A63H 3/02; A63H 3/04; A63H 3/10
See application file for complete search history.

(56) **References Cited**

U.S. PATENT DOCUMENTS

D178,480 S	8/1956	Zimmerman	
D259,578 S *	6/1981	Carreiro	D21/659
D264,860 S	6/1982	Yamashina	
5,233,864 A	8/1993	Huang	
D359,145 S *	6/1995	Harrison	D24/110.3
D364,264 S *	11/1995	Sheer	D2/869
D411,900 S *	7/1999	Puleo	D29/107
D420,670 S *	2/2000	Hernandez	D14/230
D494,642 S	8/2004	Bresciani et al.	
D495,764 S	9/2004	Bresciani et al.	
D497,400 S	10/2004	Dykstra	

D499,152 S *	11/2004	Kreisner	D21/549
D616,508 S	5/2010	Fisher et al.	
D661,027 S *	5/2012	Hodge	D29/107
D696,466 S *	12/2013	Silva	D29/107
D780,855 S	3/2017	Lambert et al.	
D783,098 S	4/2017	Spencer	
D828,634 S *	9/2018	Ikeda	D29/122
D842,396 S	3/2019	Vézina et al.	
D859,748 S *	9/2019	Lee	D29/107

(Continued)

OTHER PUBLICATIONS

PlayForever Malibu Benjamin, available on playforever.co.uk, Wayback Machine date Apr. 6, 2019, [site visited Dec. 28, 2021], URL: https://web.archive.org/web/2019*/https://playforever.co.uk/collections/malibu/products/vm202-malibu (Year: 2019).

(Continued)

Primary Examiner — Zenia I Bennett

(74) *Attorney, Agent, or Firm* — Avyno Law P.C.

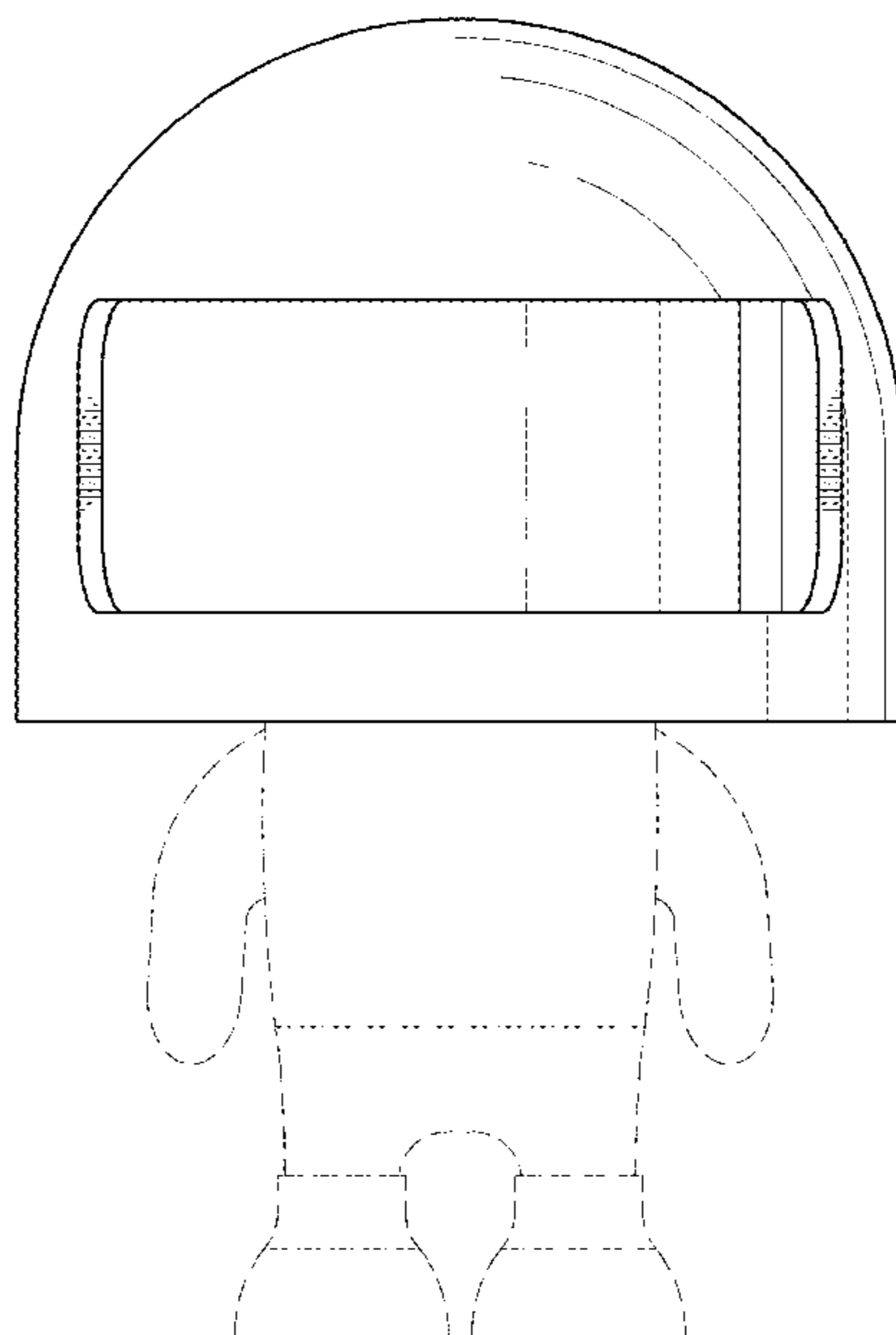
(57) **CLAIM**

I claim the ornamental design for an action figure, as shown and described.

DESCRIPTION

FIG. 1 is a front perspective view of an action figure.
FIG. 2 is a front elevation view of the action figure of FIG. 1.
FIG. 3 is a rear elevation view of the action figure of FIG. 1.
FIG. 4 is a side elevation view of the left side of the action figure of FIG. 1.
FIG. 5 is a side elevation view of the right side of the action figure of FIG. 1.
FIG. 6 is a top plan view of the action figure of FIG. 1; and, FIG. 7 is a bottom plan view of the action figure of FIG. 1.

1 Claim, 6 Drawing Sheets



(56)

References Cited

U.S. PATENT DOCUMENTS

D936,157 S 11/2021 Lee
D941,933 S 1/2022 Li

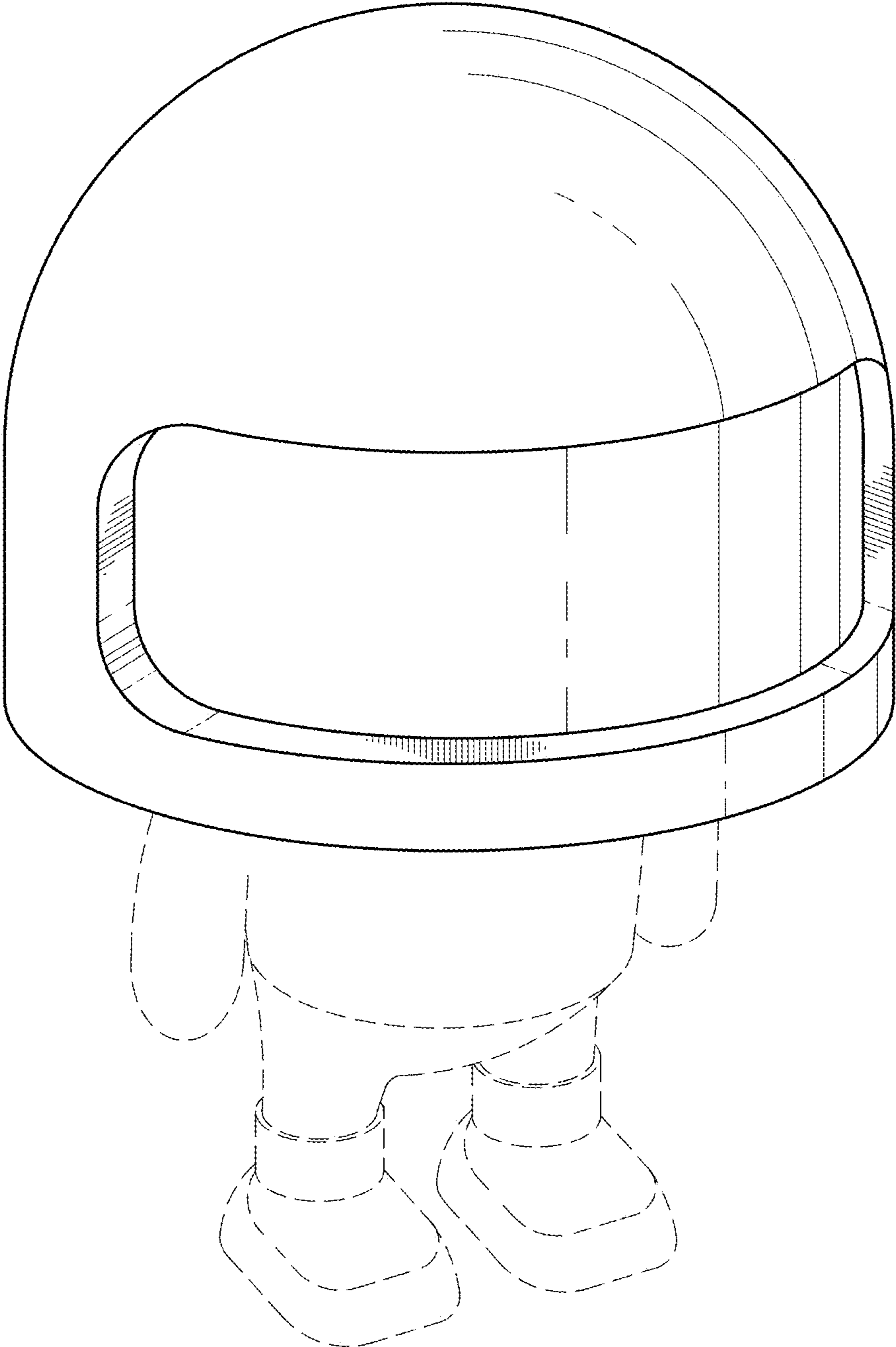
OTHER PUBLICATIONS

RC Toys Remote Control Car, available on Amazon.com, oldest customer review Jul. 3, 2019, [site visited Dec. 27, 2021], URL: <https://www.amazon.com/dp/B09D3CKG9Q> (Year: 2019).

Vilac 2247R Large Race Car, available on Amazon.co.uk, release date Aug. 1, 2018, [site visited Dec. 27, 2021], URL: <https://www.amazon.co.uk/Vilac-Vilac2247R-Red-Race-Large/dp/B005491J20> (Year: 2018).

* cited by examiner

FIG. 1



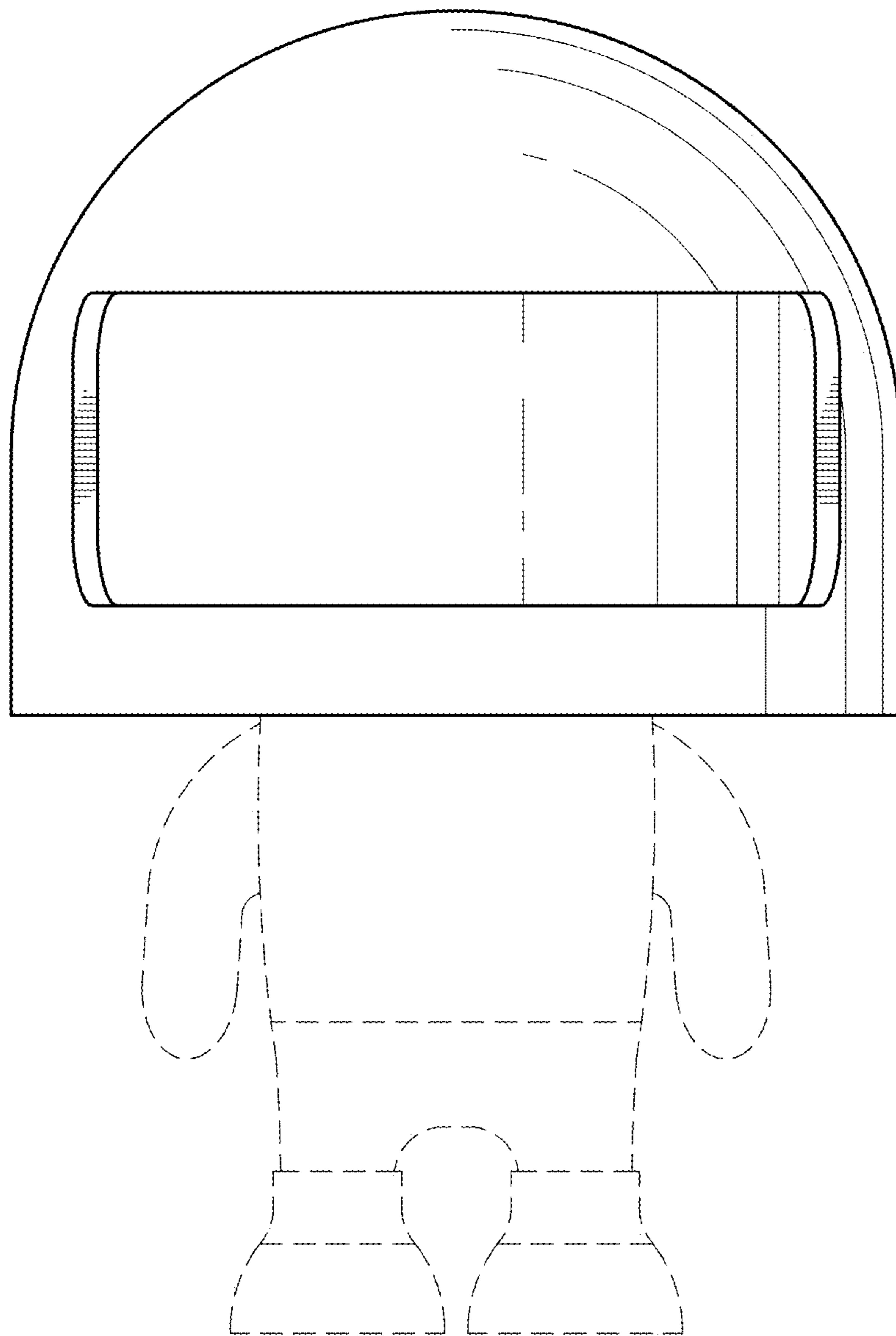


FIG. 2

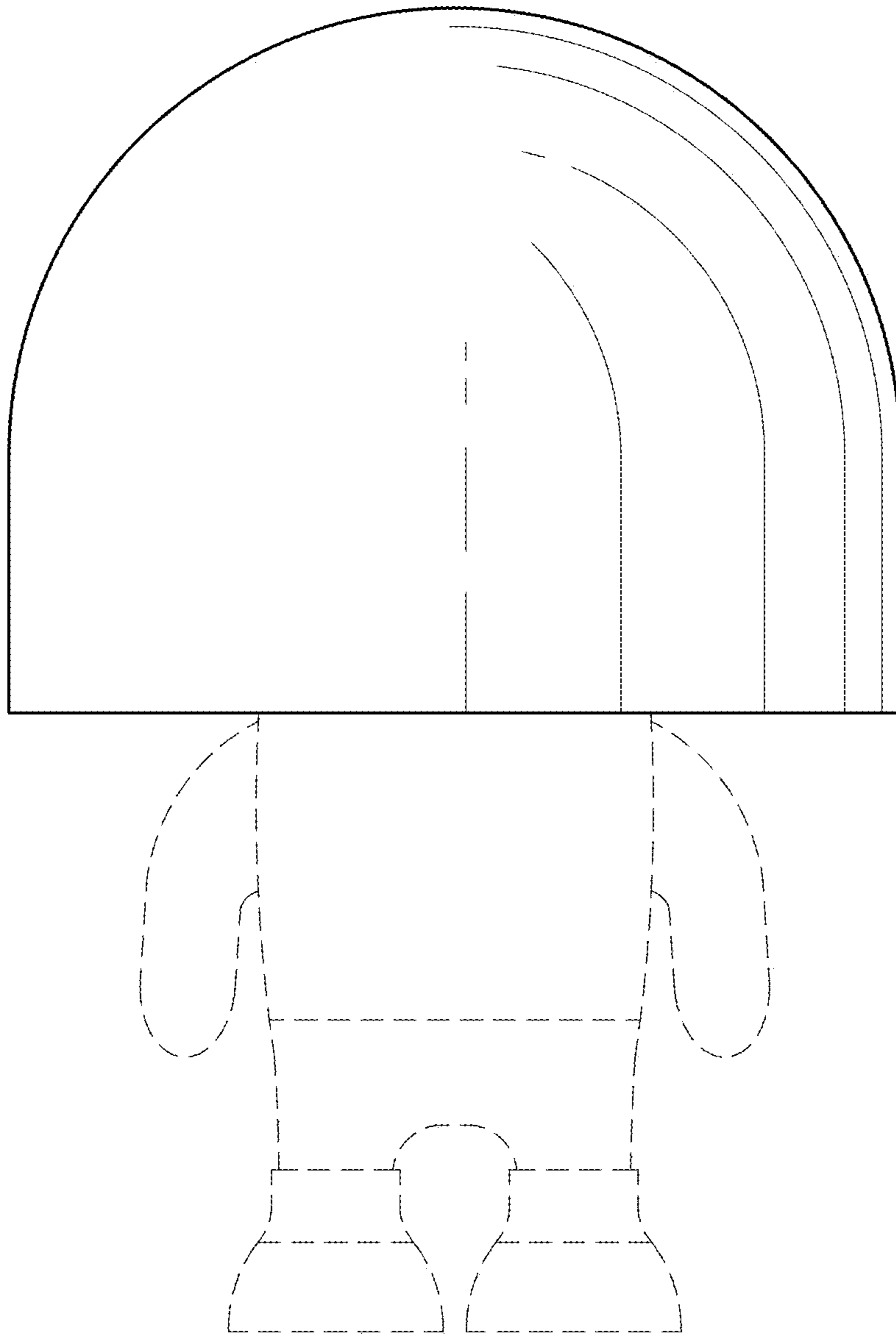


FIG. 3

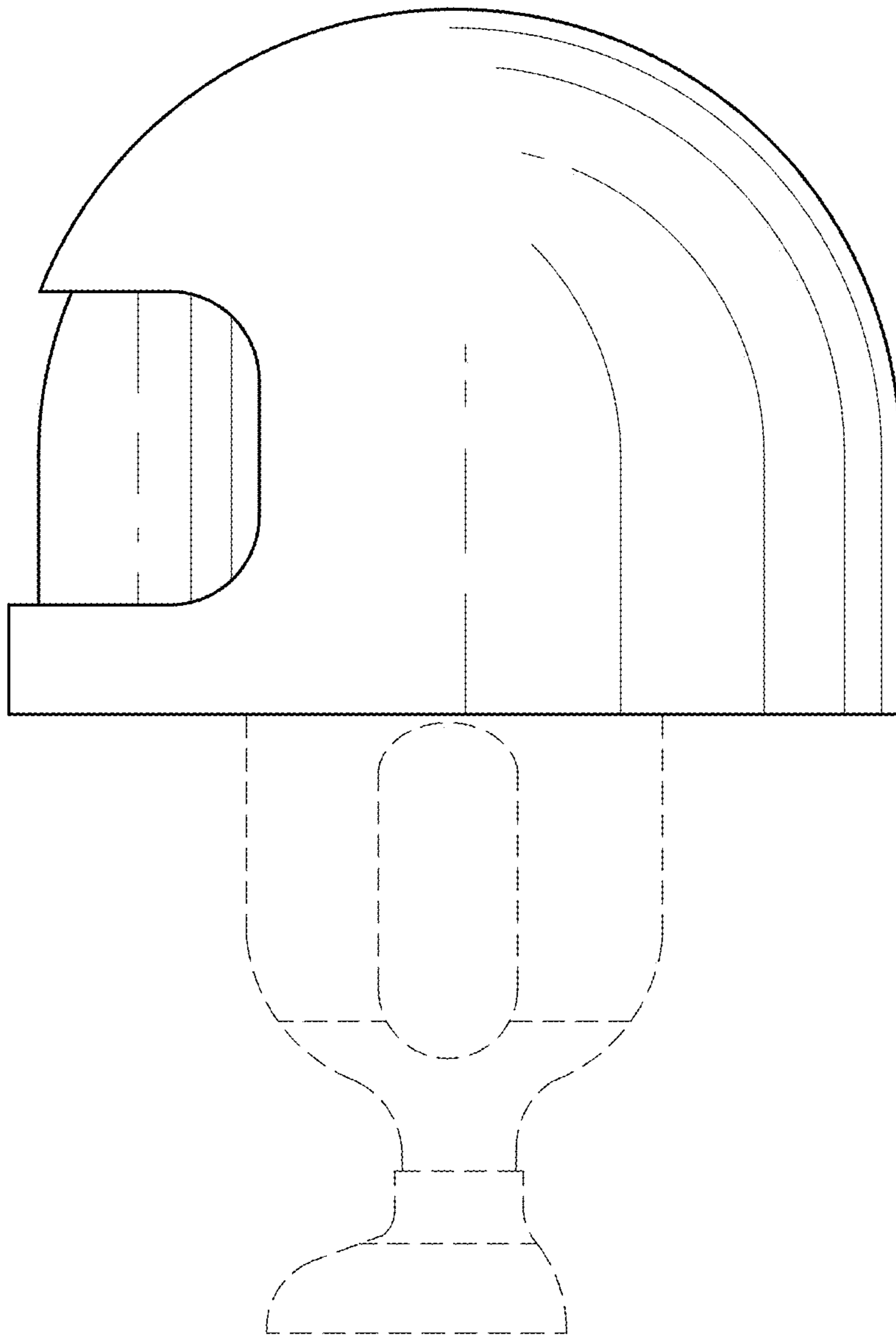


FIG. 4

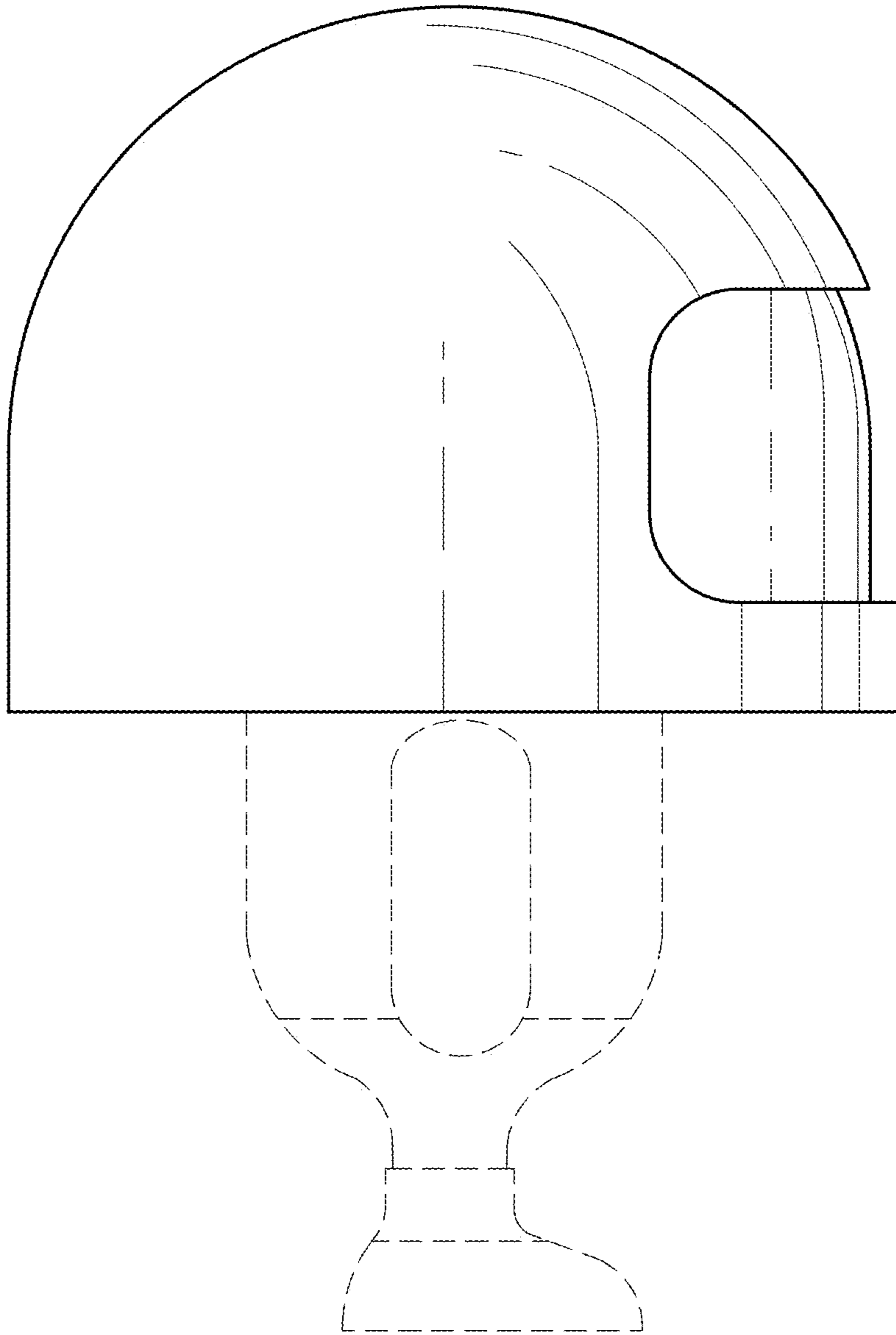


FIG. 5

FIG. 6

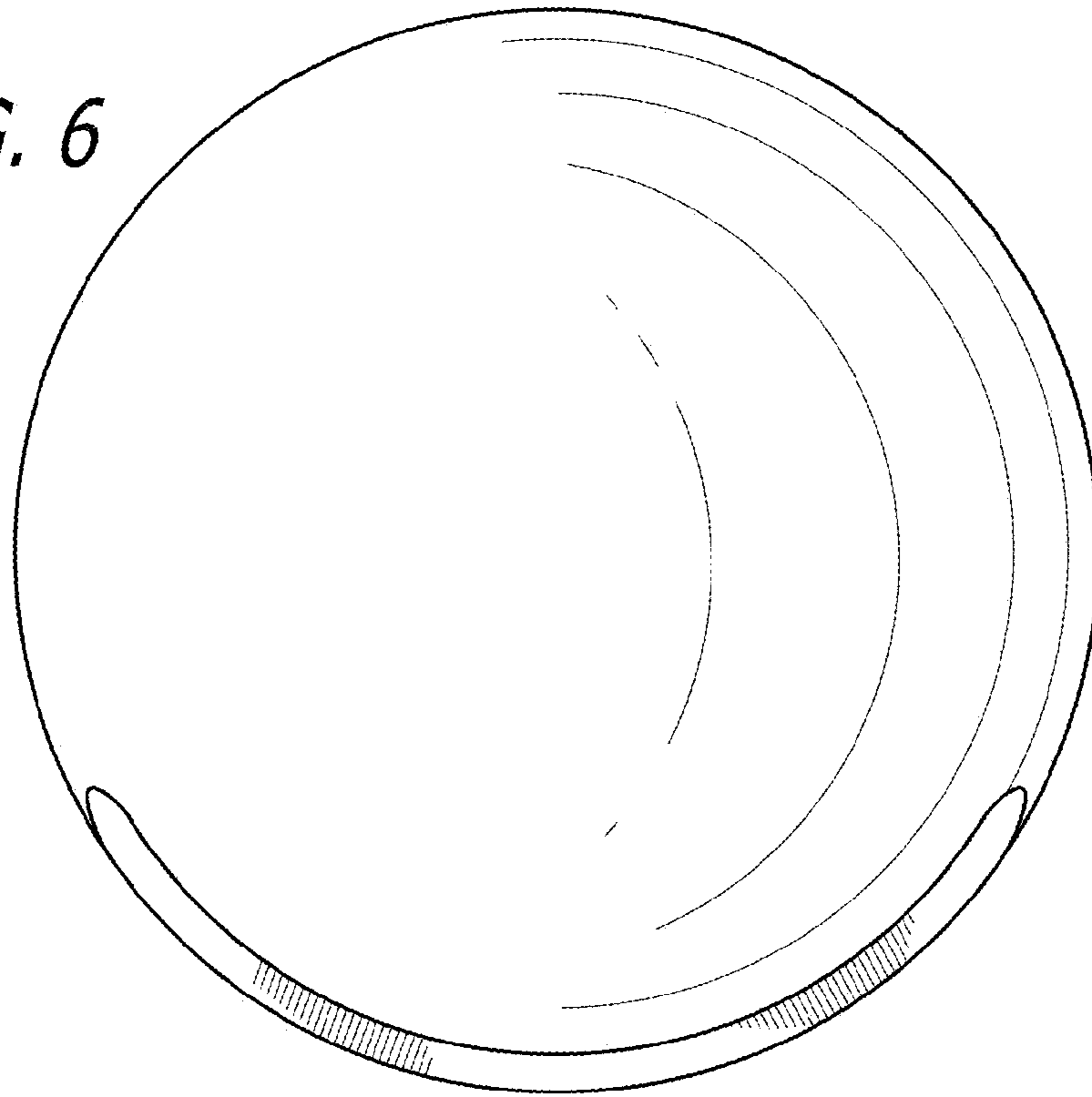


FIG. 7

