



US00D980342S

(12) **United States Design Patent**
Jin

(10) **Patent No.:** **US D980,342 S**

(45) **Date of Patent:** **** Mar. 7, 2023**

(54) **TOY GUN ACCESSORY SET**

(71) Applicant: **Xurui Jin**, Shantou (CN)

(72) Inventor: **Xurui Jin**, Shantou (CN)

(**) Term: **15 Years**

(21) Appl. No.: **29/813,864**

(22) Filed: **Nov. 2, 2021**

(51) **LOC (14) Cl.** **21-01**

(52) **U.S. Cl.**
USPC **D21/573**

(58) **Field of Classification Search**
USPC D21/333, 454, 570, 572-575; D14/418;
D22/100, 103
CPC .. F41B 7/00; F41B 7/003; F41B 7/006; F41B
7/008; F41B 9/00; F41B 9/0078; F41B
9/0081; F41B 11/89; A63H 5/04; A63H
27/14

See application file for complete search history.

(56) **References Cited**

U.S. PATENT DOCUMENTS

D571,415 S *	6/2008	Jones	D21/573
D679,342 S *	4/2013	Coulter	D21/573
D699,303 S *	2/2014	Coulter	D21/573
D709,140 S *	7/2014	Coulter	D21/573
D745,936 S *	12/2015	Coulter	D21/573

D828,881 S	9/2018	Lee	
D834,679 S *	11/2018	Garcia, Jr.	D22/108
D840,493 S *	2/2019	Bowman	D22/108
D842,389 S	3/2019	Iwasawa	
D860,372 S *	9/2019	Riley	D22/108
D874,600 S *	2/2020	Cole	D22/108
D895,737 S *	9/2020	Russell	D21/573

* cited by examiner

Primary Examiner — Cynthia M. Chin

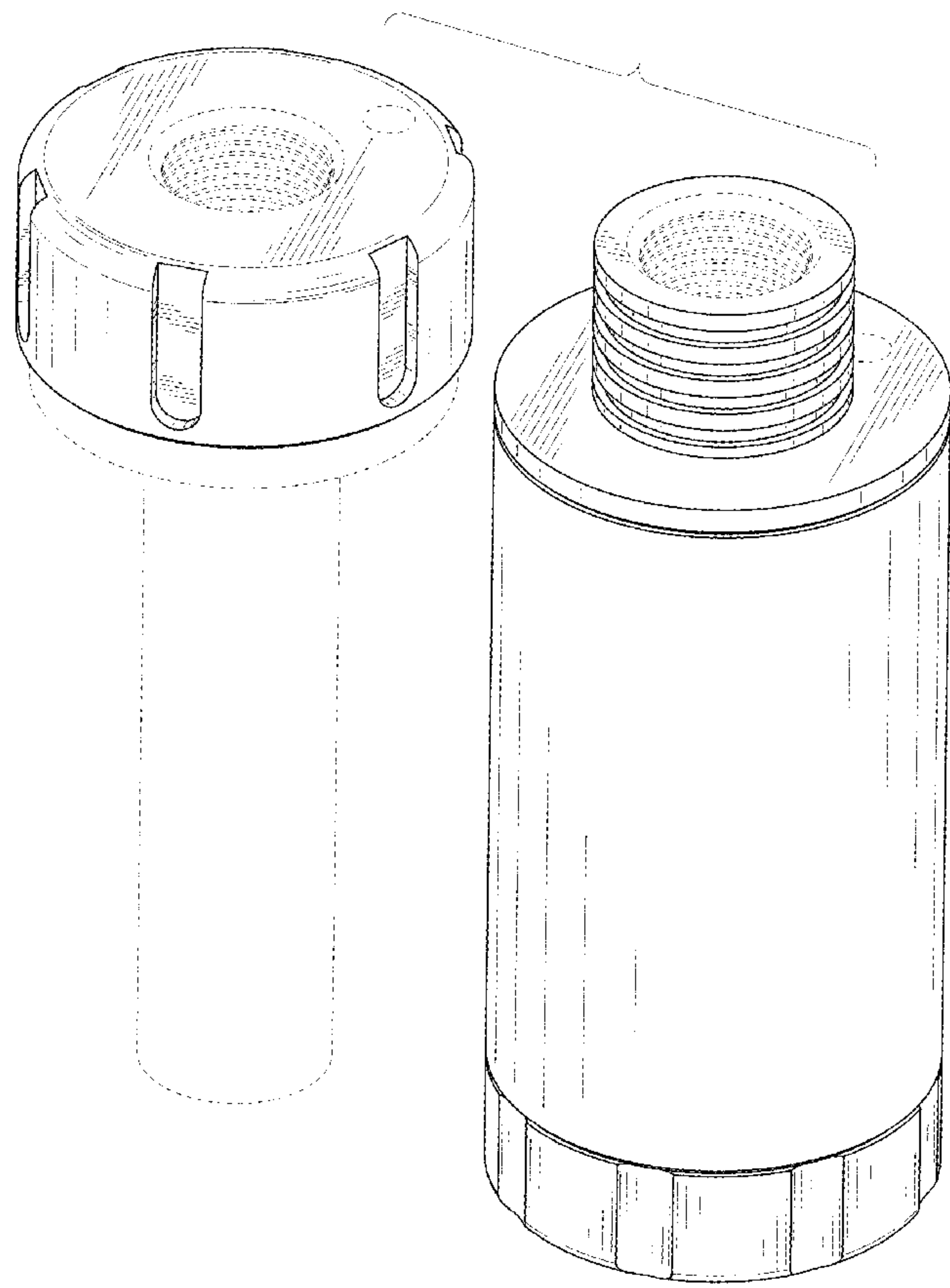
(57) **CLAIM**

The ornamental design for a toy gun accessory set, as shown and described.

DESCRIPTION

FIG. 1 is an exploded perspective view of a toy gun accessory set showing my new design;
 FIG. 2 is another exploded perspective view thereof;
 FIG. 3 is an exploded front elevational view thereof;
 FIG. 4 is an exploded rear elevational view thereof;
 FIG. 5 is an exploded left side elevational view thereof;
 FIG. 6 is an exploded right side elevational view thereof;
 FIG. 7 is an exploded top plan view thereof;
 FIG. 8 is an exploded bottom plan view thereof; and,
 FIG. 9 is another exploded perspective view of the toy gun accessory set.
 The broken lines in the drawings depict portions of the toy gun accessory set that form no part of the claimed design.

1 Claim, 9 Drawing Sheets



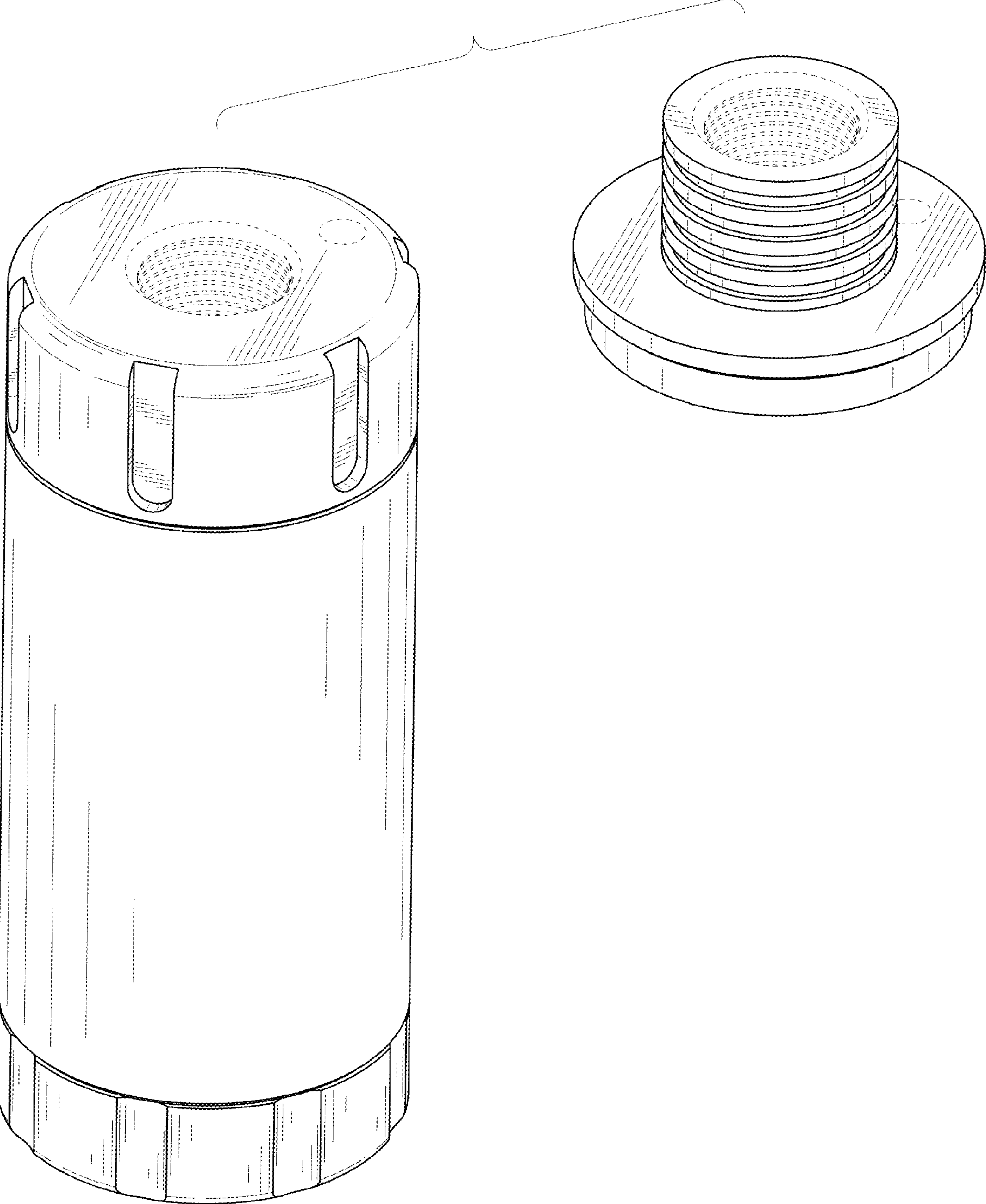


FIG. 1

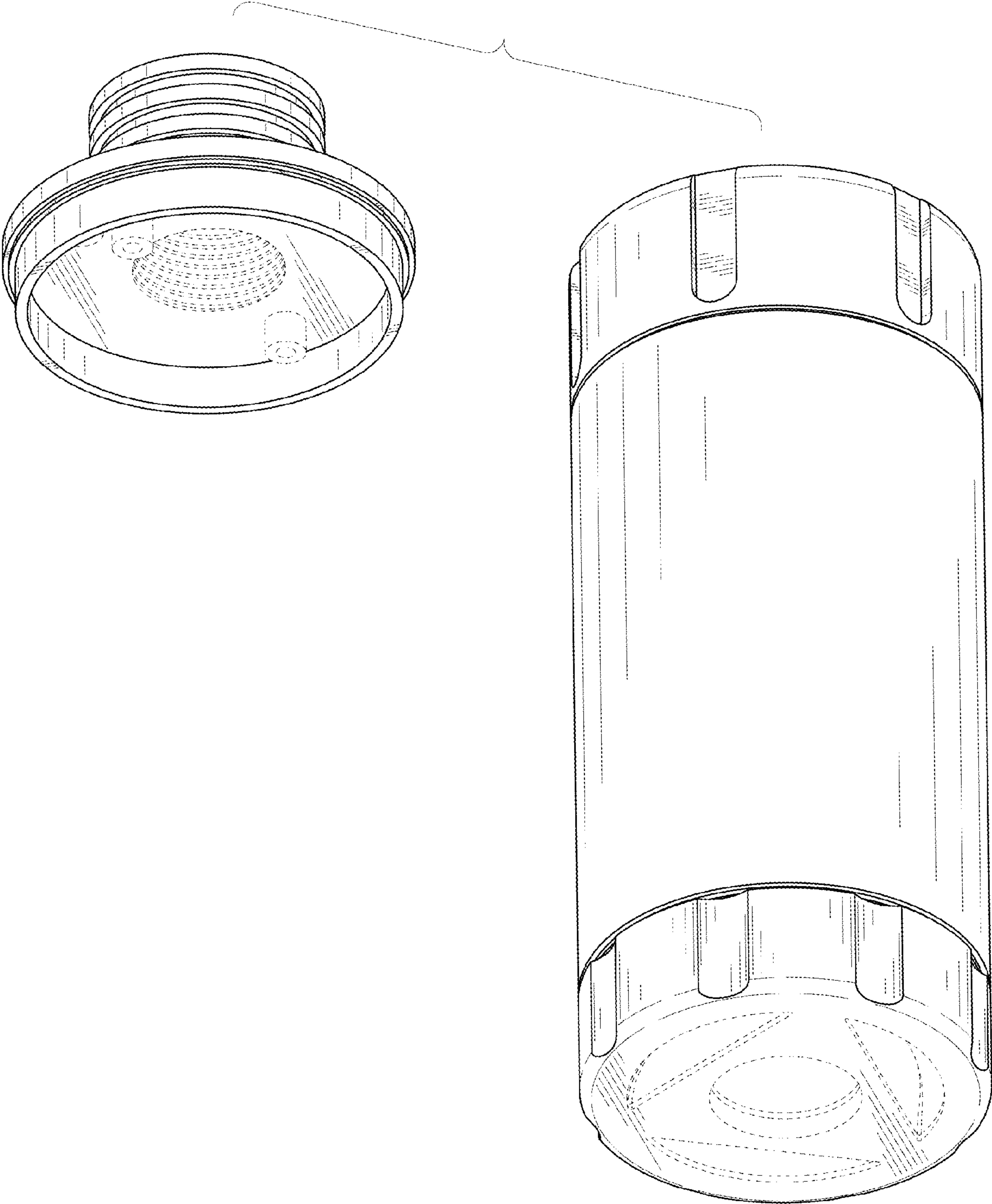


FIG. 2

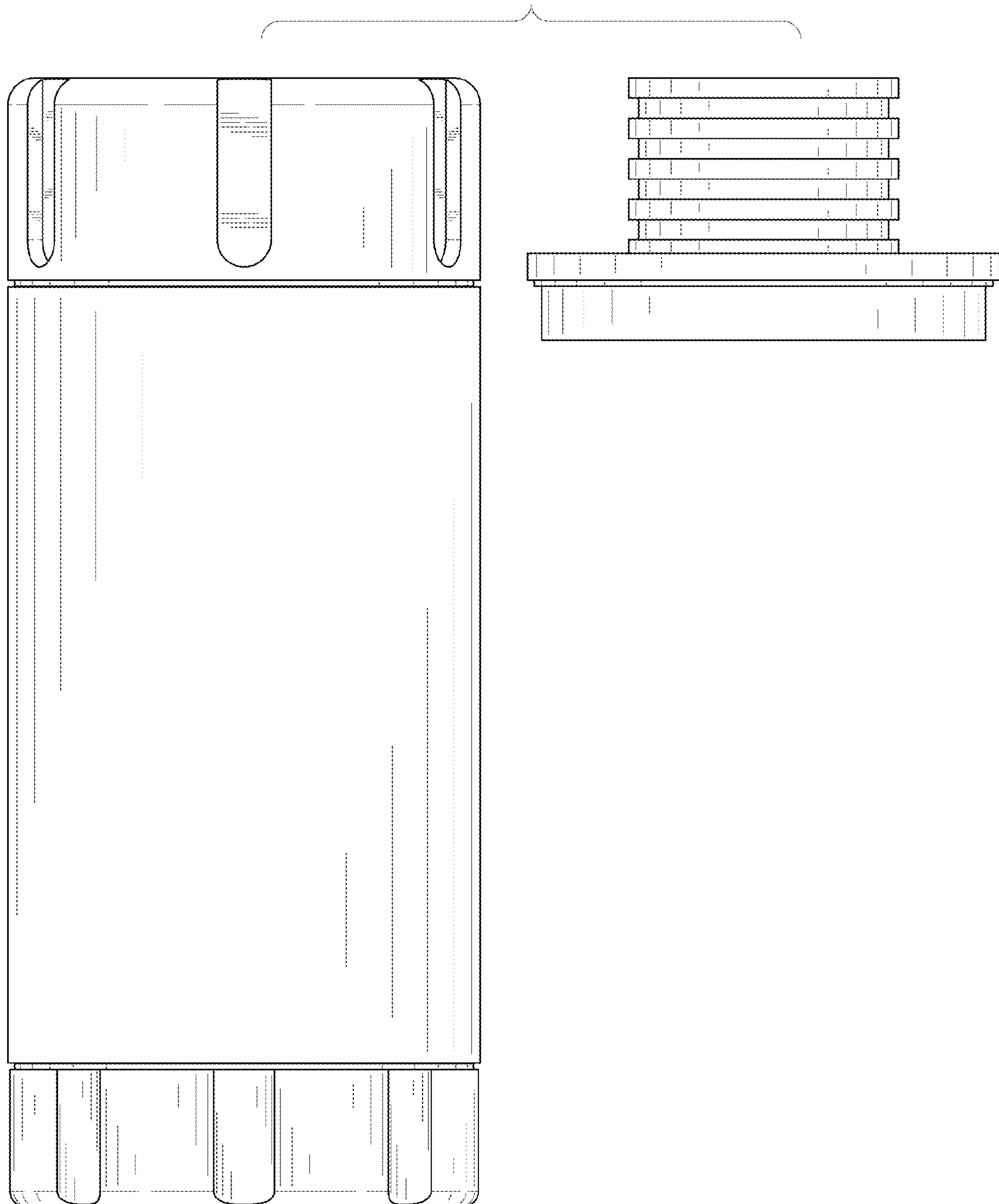


FIG. 3

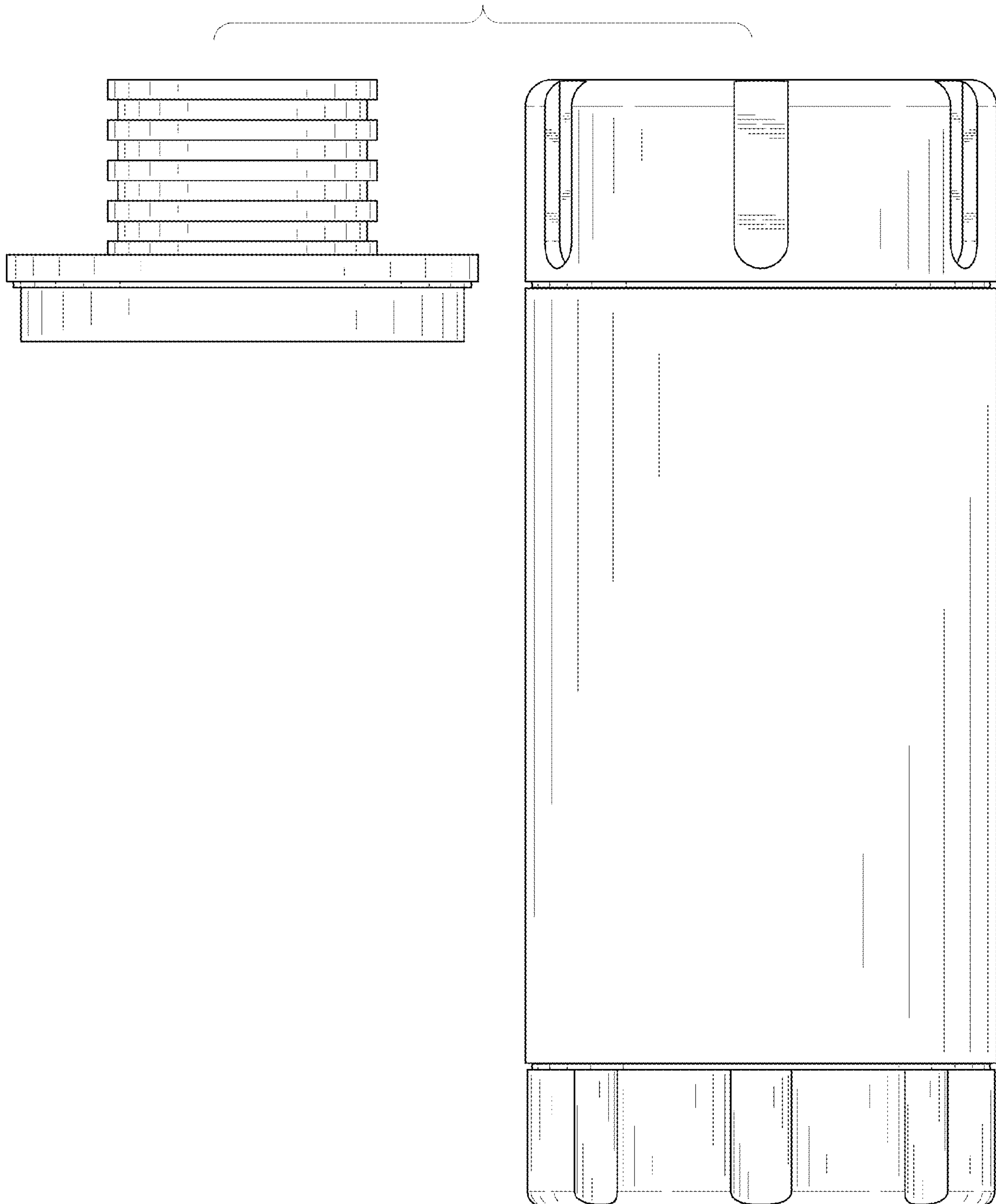


FIG. 4

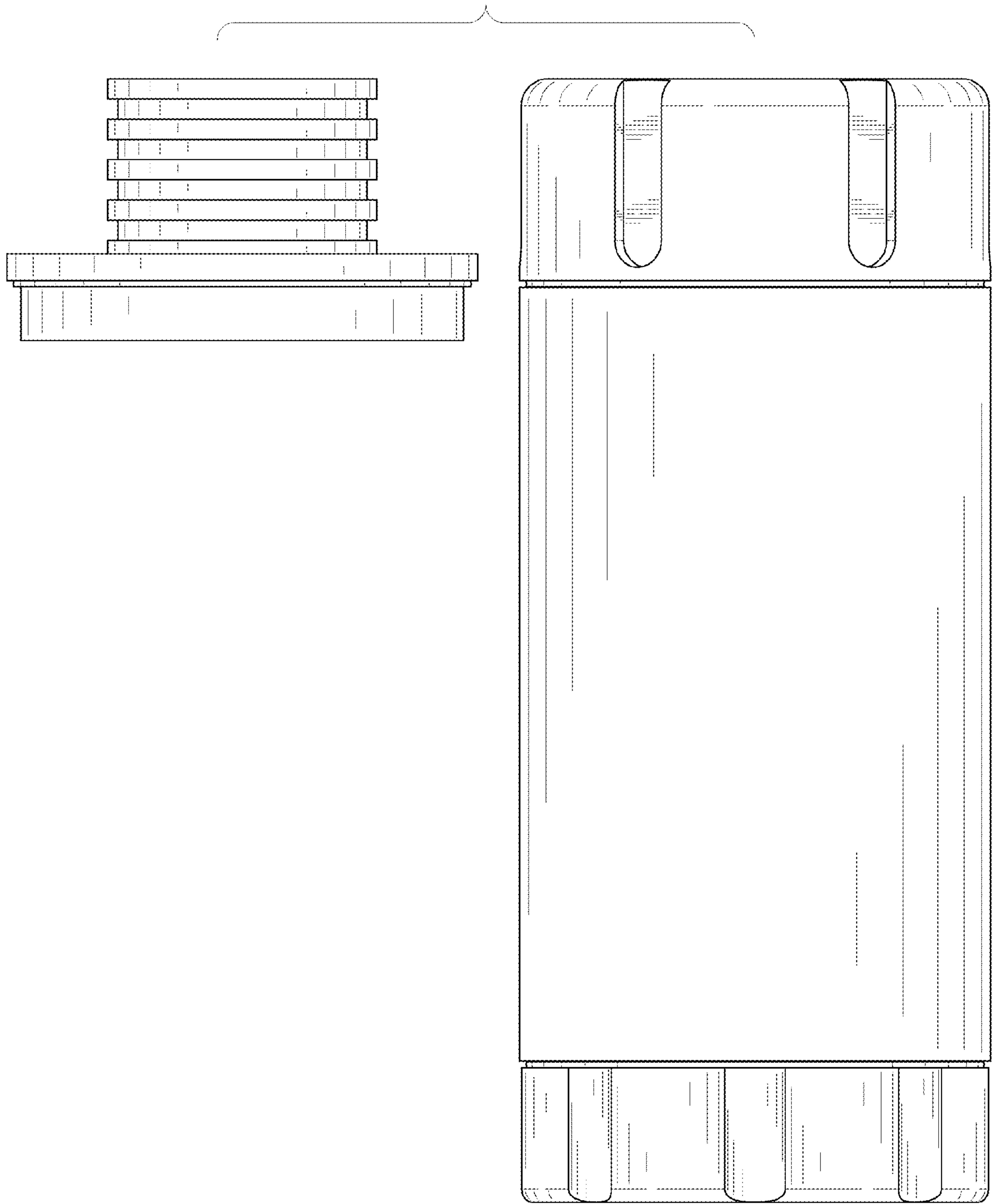


FIG. 5

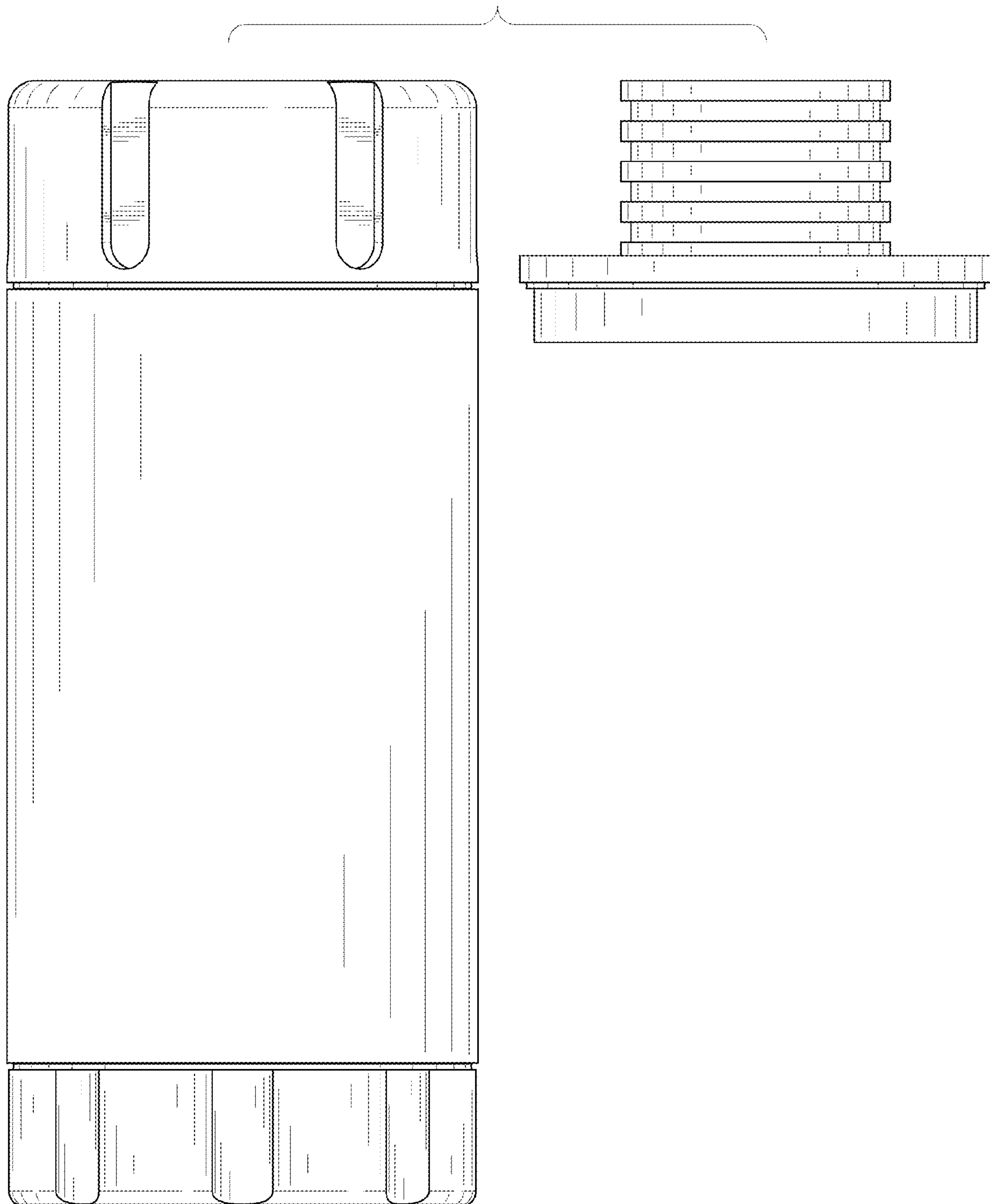


FIG. 6

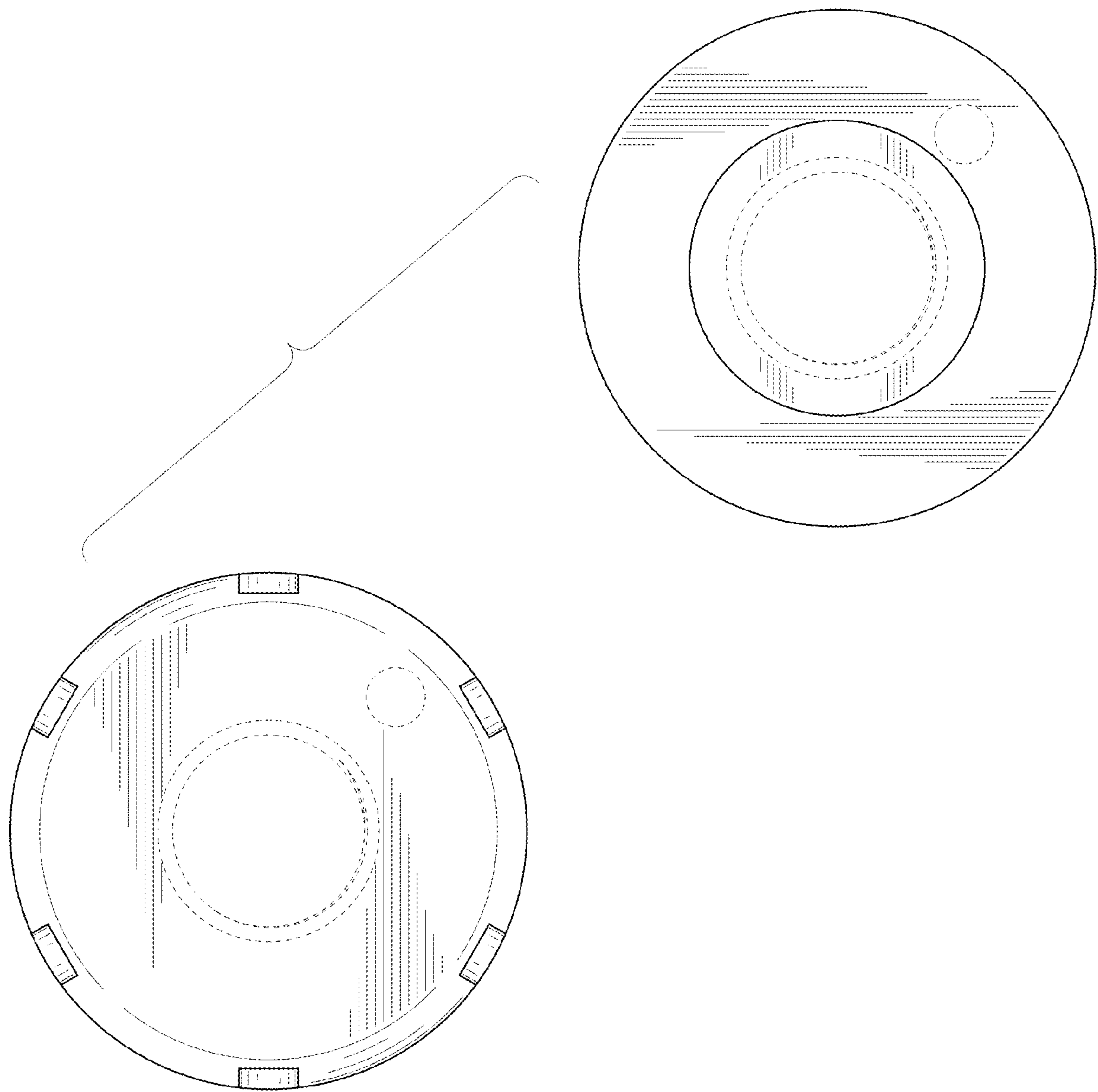


FIG. 7

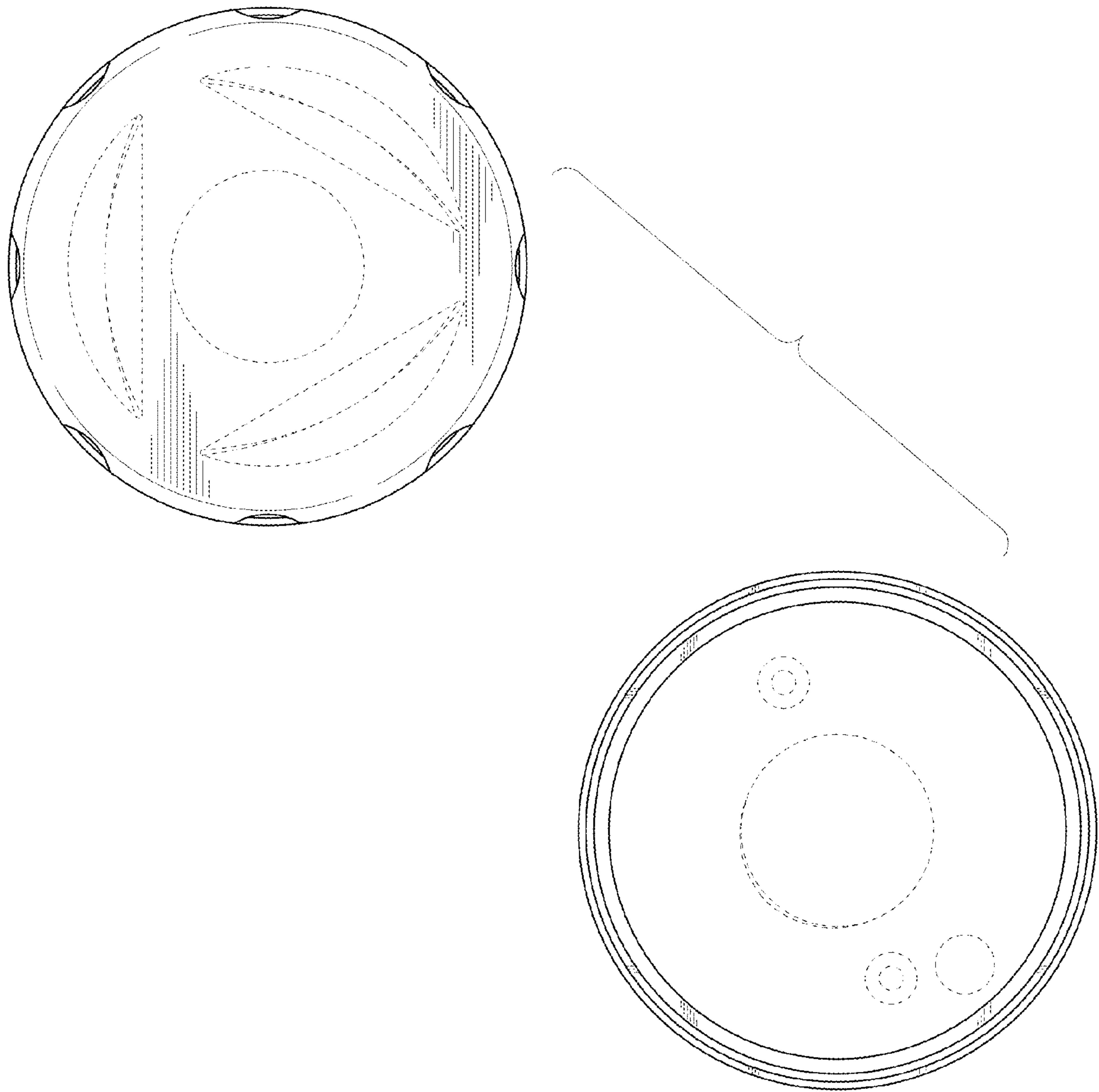


FIG. 8

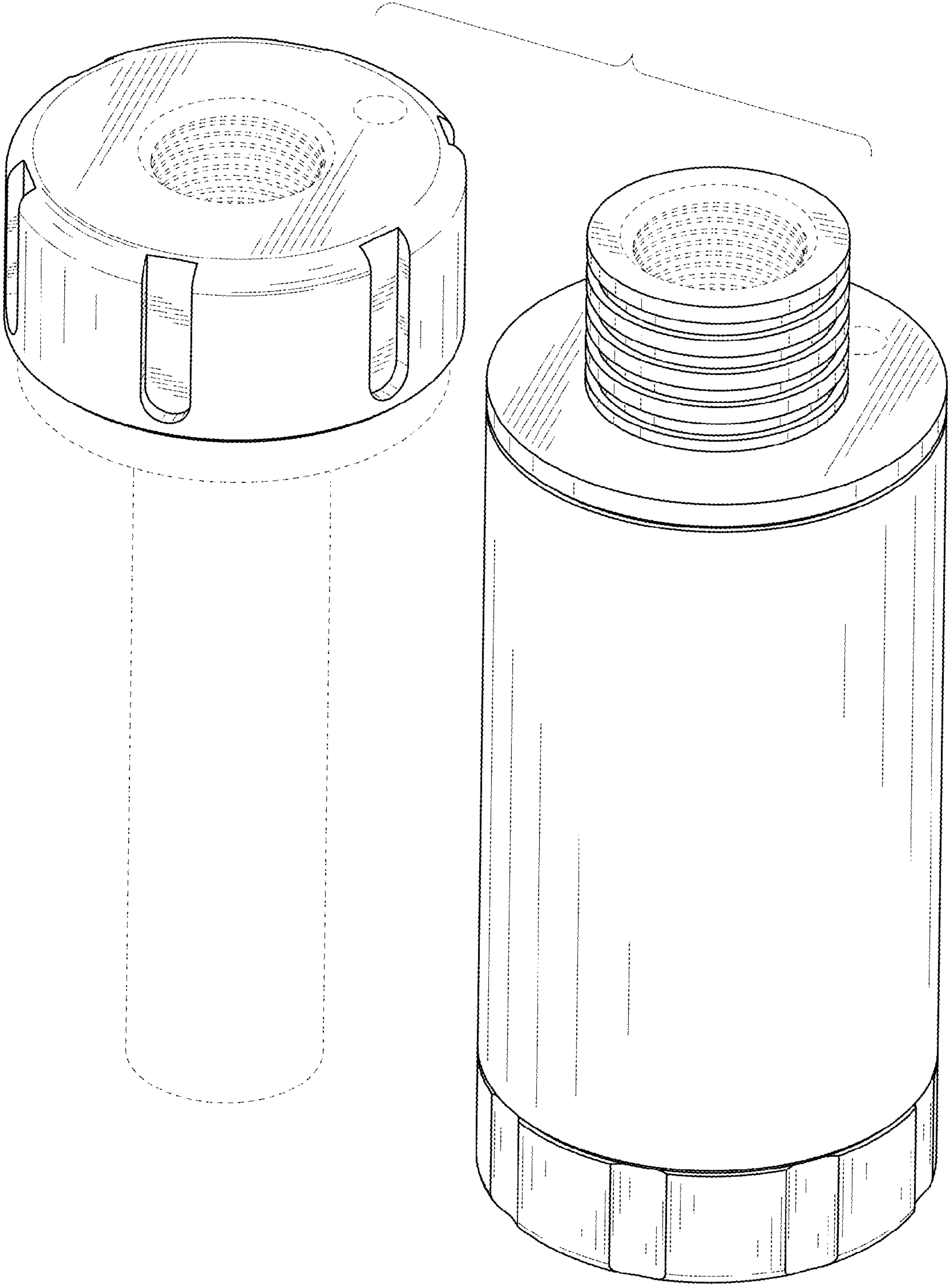


FIG. 9