



US00D980341S

(12) **United States Design Patent**  
**Chen**

(10) **Patent No.:** **US D980,341 S**  
(45) **Date of Patent:** **\*\* Mar. 7, 2023**

- (54) **TANK TOY**
- (71) Applicants: **SHANTOU CHENGHAI HENGDE TOYS FACTORY**, Shantou (CN);  
**Peng Cao**, Xi'an (CN)
- (72) Inventor: **Sirui Chen**, Shantou (CN)
- (73) Assignees: **SHANTOU CHENGHAI HENGDE TOYS FACTORY**, Shantou (CN);  
**Peng Cao**, Xi'an (CN)
- (\*) Notice: Patent file contains an affidavit/declaration under 37 CFR 1.130(b).
- (\*\*) Term: **15 Years**
- (21) Appl. No.: **29/816,670**
- (22) Filed: **Nov. 23, 2021**
- (51) **LOC (14) Cl.** ..... **21-01**
- (52) **U.S. Cl.**  
USPC ..... **D21/539**
- (58) **Field of Classification Search**  
USPC ..... D21/533, 539, 548, 552, 557, 558, 561,  
D21/562  
CPC .... A63H 17/00; A63H 17/004; A63H 17/006;  
A63H 17/14  
See application file for complete search history.

D606,598 S *	12/2009	Lau	.....	D21/539
D677,344 S	3/2013	Petersen et al.		
D678,426 S *	3/2013	Lee	.....	D21/552
D803,765 S *	11/2017	Bei	.....	D12/533
D822,124 S *	7/2018	Bei	.....	D21/533
D916,940 S *	4/2021	Wang	.....	D15/199
D939,637 S *	12/2021	Wang	.....	D21/533
D942,519 S *	2/2022	Ye	.....	D15/199

(Continued)

**OTHER PUBLICATIONS**

Toy water bomb tank electric gesture remote control multiplayer battle RC car, uploaded by Gaget World on youtube Aug. 31, 2021 [online], [site visited Aug. 27, 2022], Available from Internet: <URL: <https://www.youtube.com/watch?v=vwP586KGuwY>> (Year: 2021).\*

(Continued)

*Primary Examiner* — Cynthia M. Chin

(57) **CLAIM**

The ornamental design for a tank toy, as shown and described.

**DESCRIPTION**

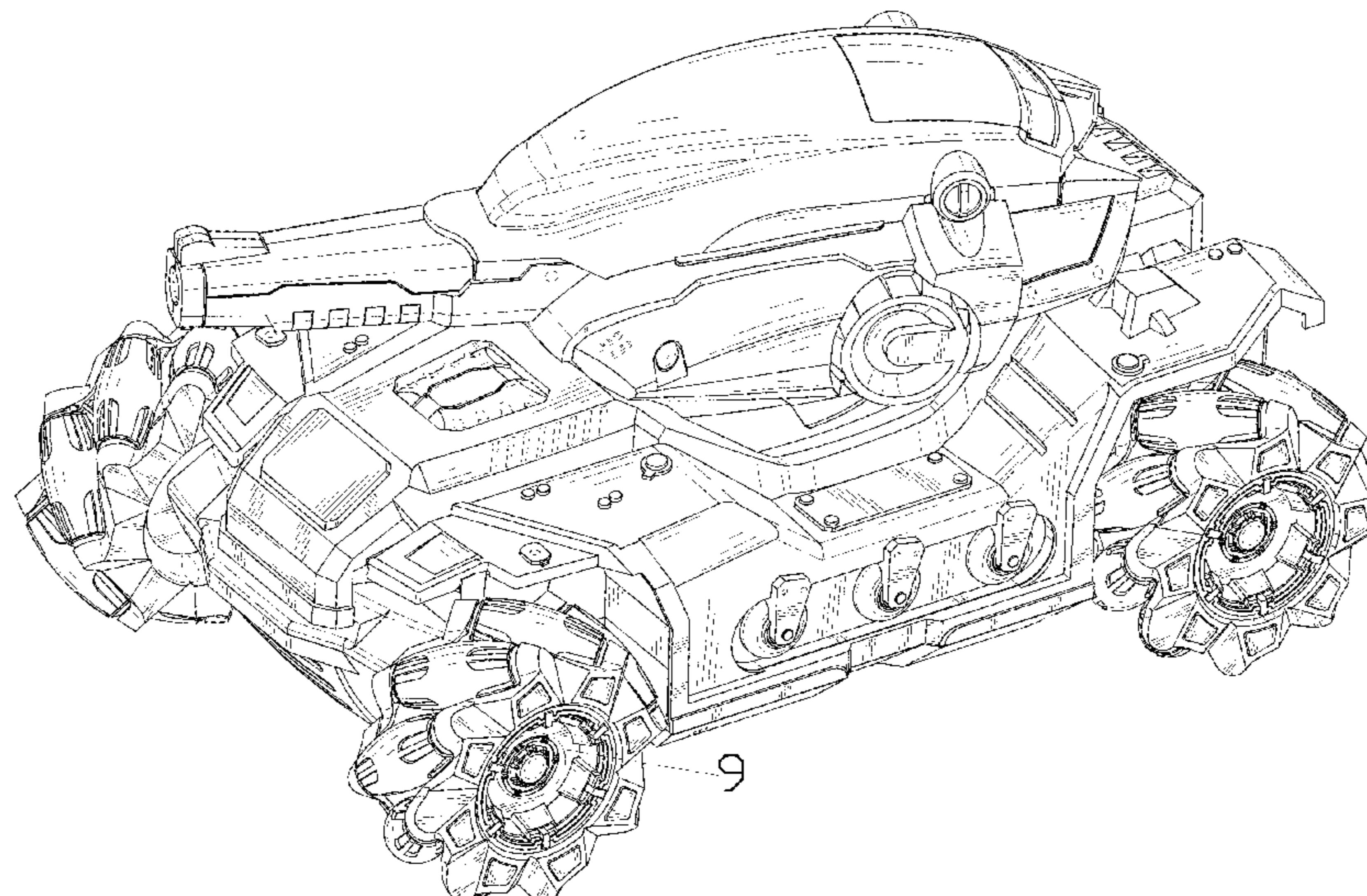
FIG. 1 is a perspective view of a tank toy showing my new design;  
FIG. 2 is another perspective view thereof;  
FIG. 3 is a front elevational view thereof;  
FIG. 4 is a rear elevational view thereof;  
FIG. 5 is a left side elevational view thereof;  
FIG. 6 is a right side elevational view thereof;  
FIG. 7 is a top plan view thereof;  
FIG. 8 is a bottom plan view thereof; and,  
FIG. 9 is an enlarged view of portion 9 shown in FIG. 1.  
The broken lines in the drawings depict portions of the tank toy that form no part of the claimed design. The dot-dash broken lines represent the boundary of the enlarged portion and form no part of the claimed design.

**1 Claim, 9 Drawing Sheets**

(56) **References Cited**

**U.S. PATENT DOCUMENTS**

D184,352 S *	2/1959	Gruber	.....	D21/539
D251,208 S *	2/1979	Behling	.....	D21/557
D258,223 S *	2/1981	Itakura	.....	D21/539
4,380,135 A *	4/1983	Wildman	.....	A63H 17/045 180/9
D311,040 S *	10/1990	Kunihiro	.....	D21/631
D332,122 S *	12/1992	Hetman	.....	D21/539
D342,977 S *	1/1994	Appel	.....	D21/537
5,921,843 A *	7/1999	Skrivan	.....	A63H 17/14 446/431
D519,577 S	4/2006	Hayashi		



(56)

**References Cited**

U.S. PATENT DOCUMENTS

D944,333 S \* 2/2022 Sisamos ..... D21/539  
D952,762 S \* 5/2022 Shen ..... D21/548  
D954,855 S \* 6/2022 Shen ..... D21/548

OTHER PUBLICATIONS

Koenig RC Tank Car, reviewed and online as early as Sep. 29, 2021, [online], [site visited Aug. 27, 2022]. Available from Internet: <URL: <https://amazon.com/dp/B095YLGKG1/>> (Year: 2021).\*

Amazon Top 10 Toysbase Hot Selling 2.4G Remote Control Toy Off-Road Rc Water Bomb Tank, Uploaded on youtube by WholesaleBabyToys Nov. 2, 2021 [online], [site visited Aug. 27, 2022]. Available from Internet: <URL: <https://www.youtube.com/watch?v=ybgkzqizAJ4>> (Year: 2021).\*

\* cited by examiner

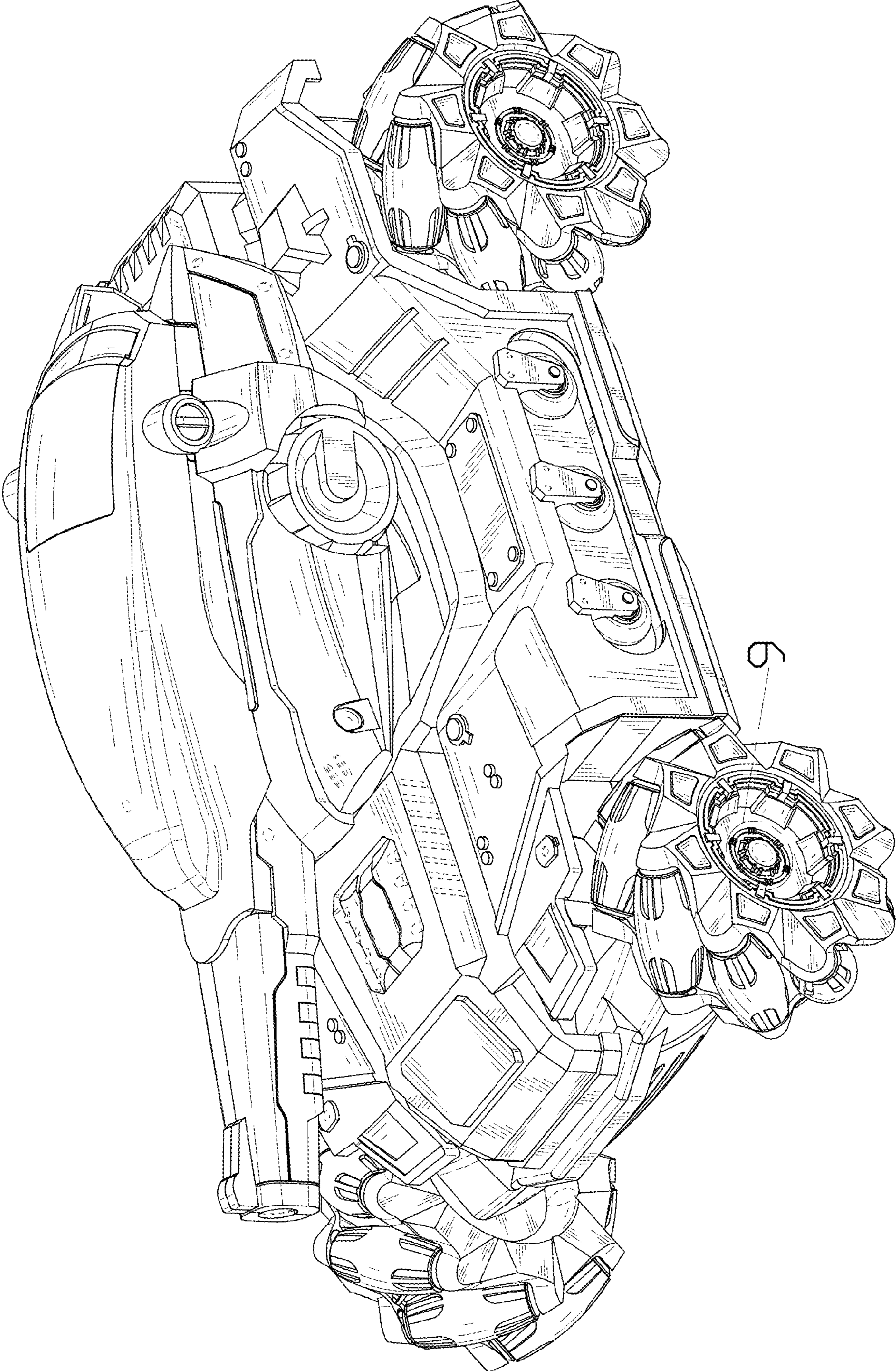


FIG. 1

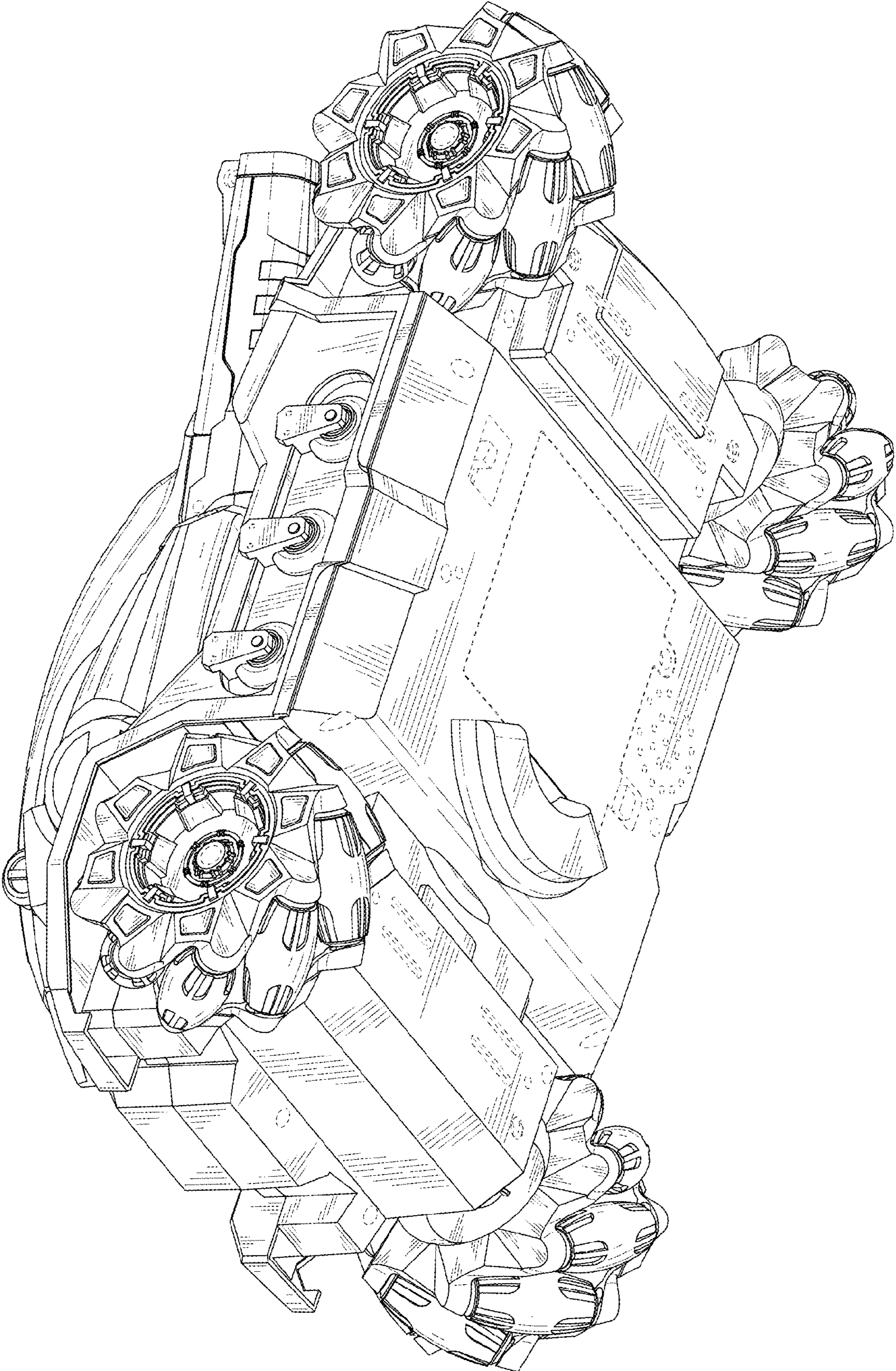


FIG. 2

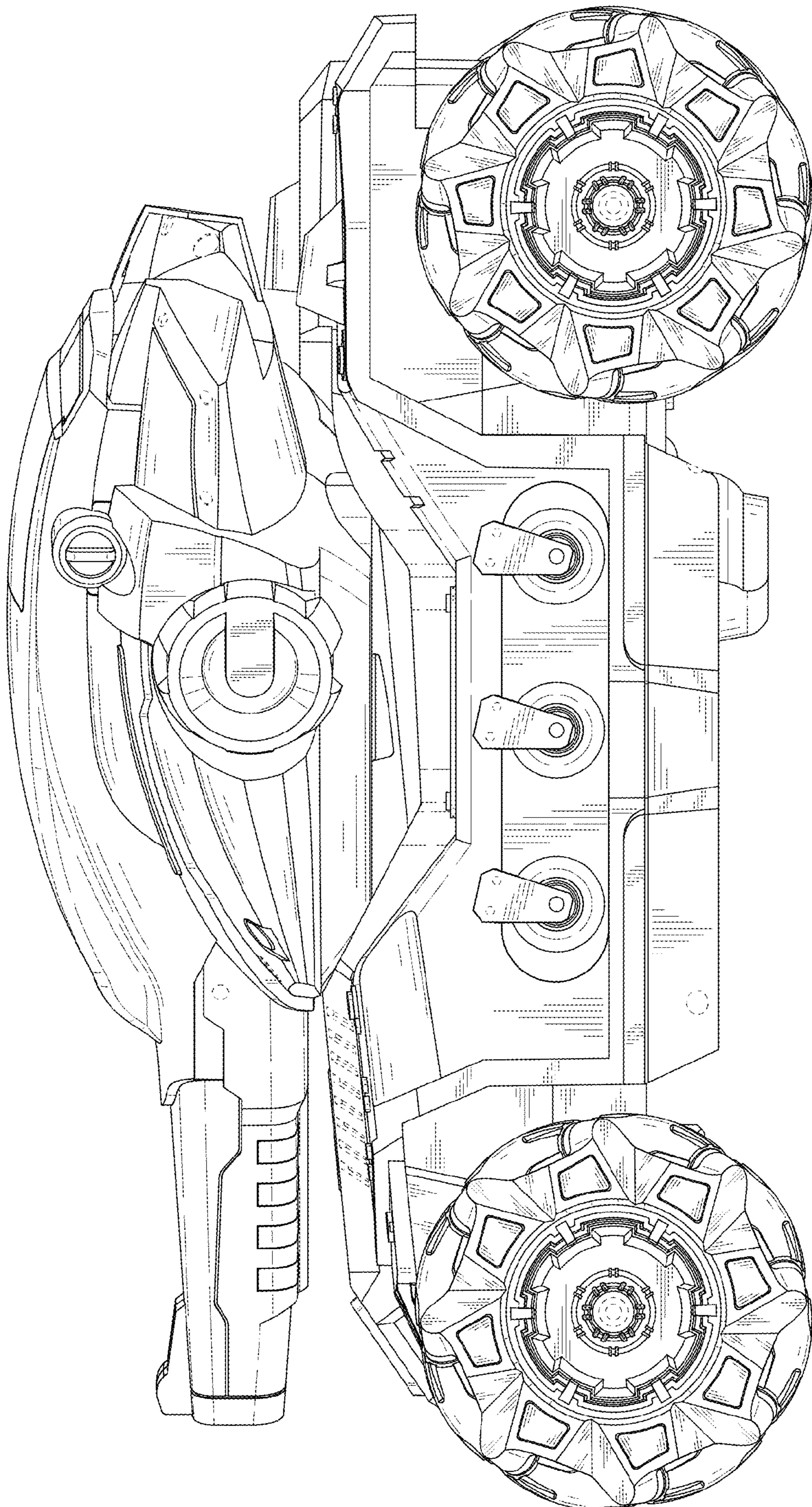


FIG. 3

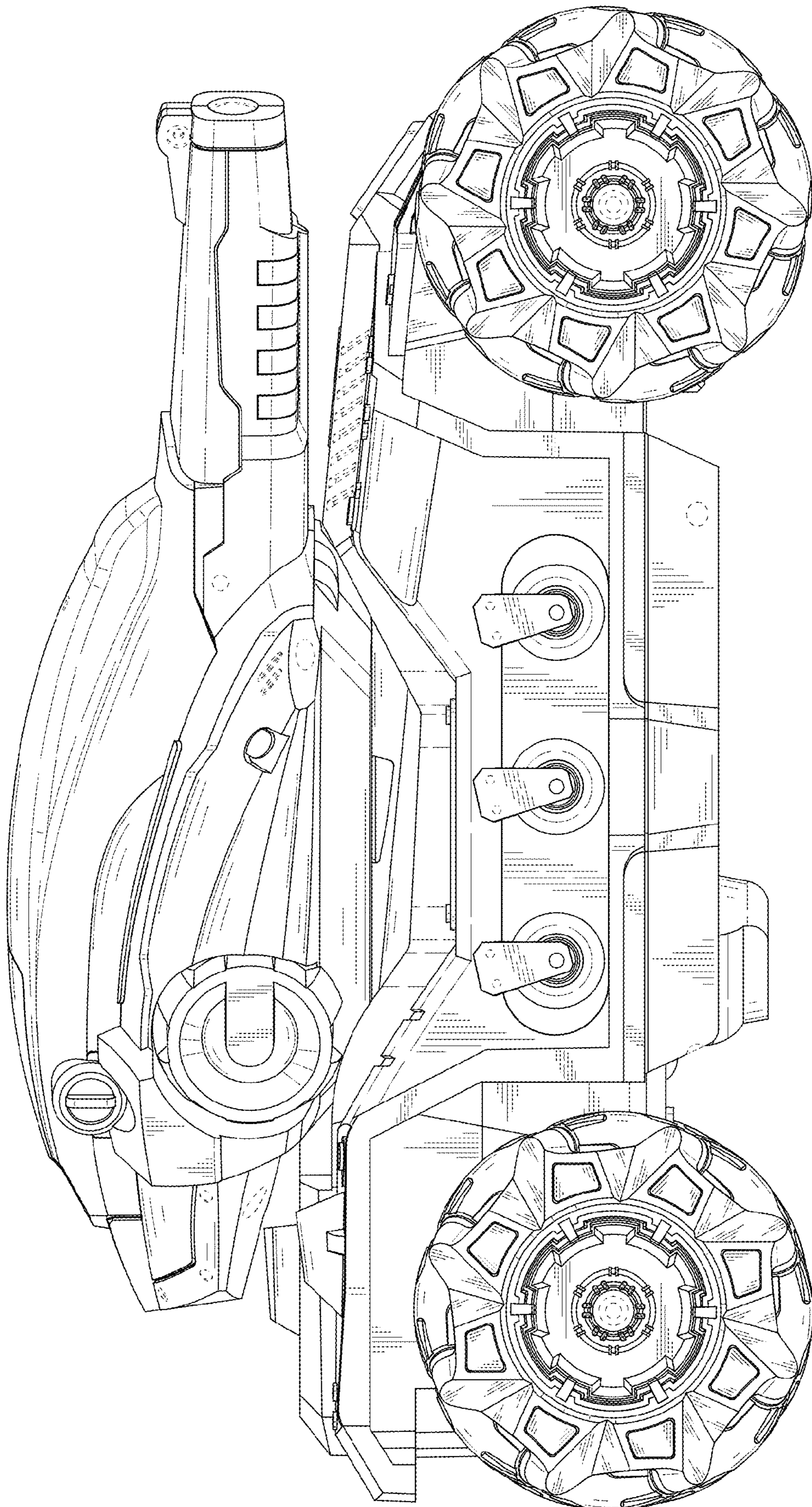


FIG. 4

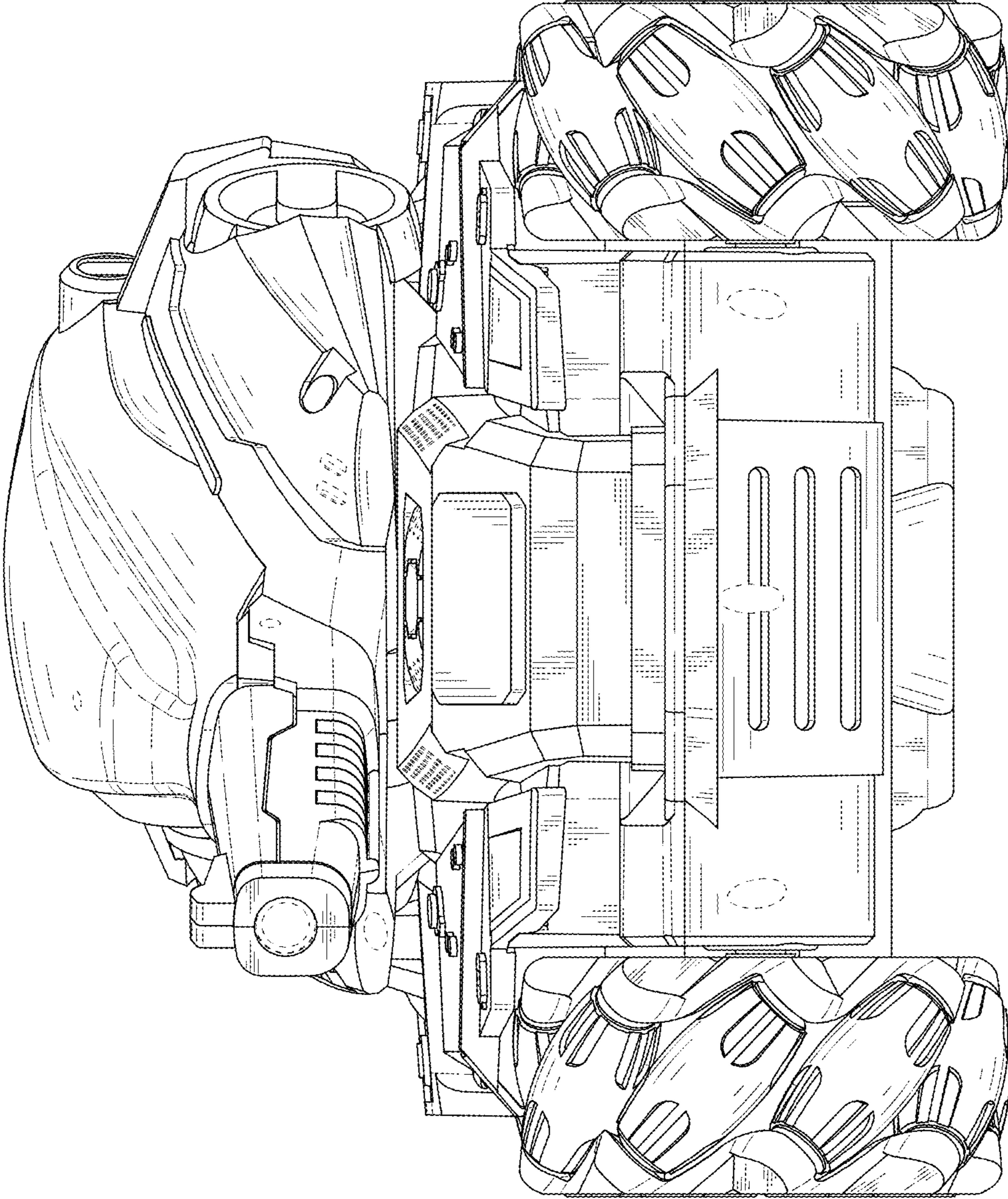


FIG. 5

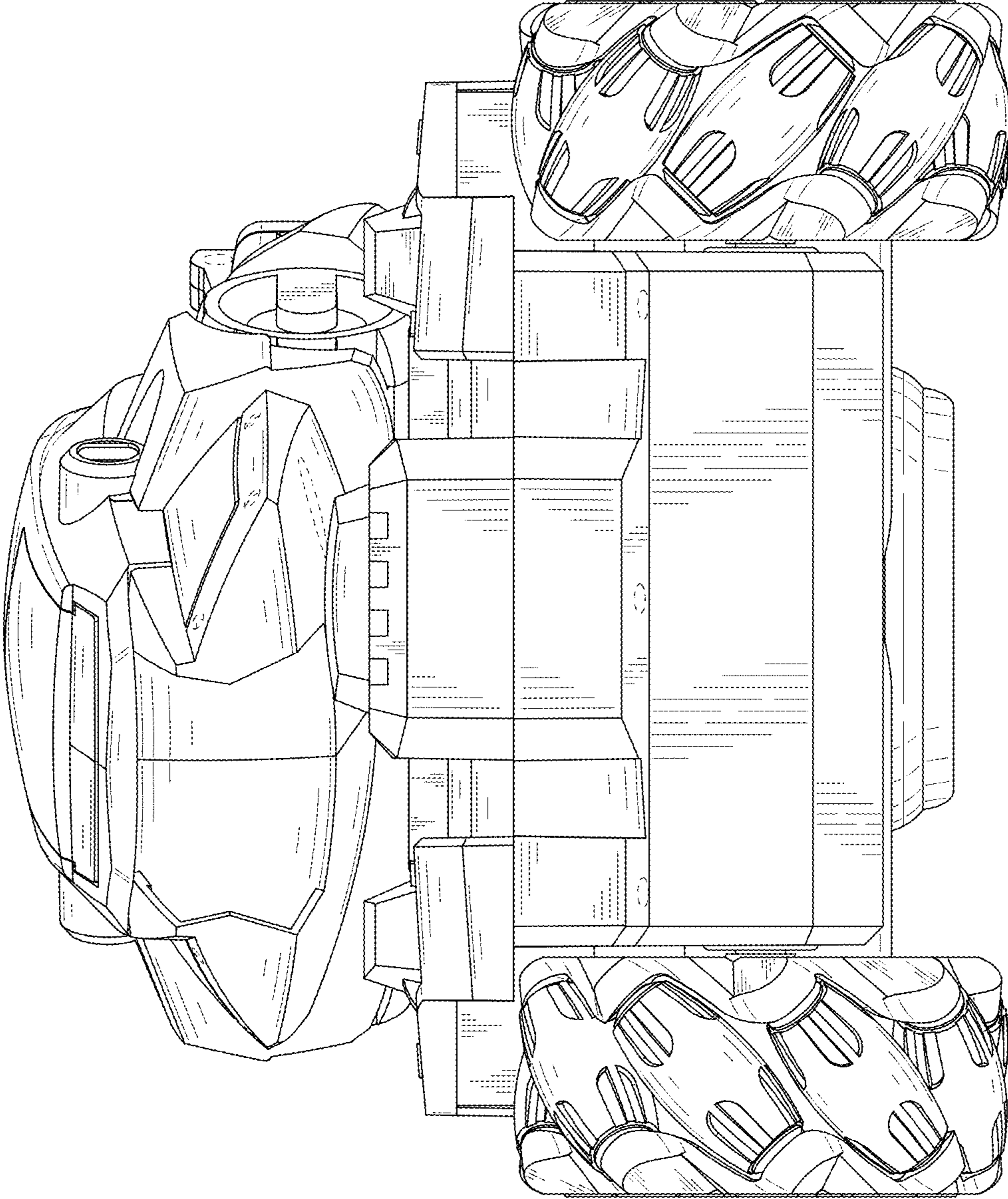


FIG. 6



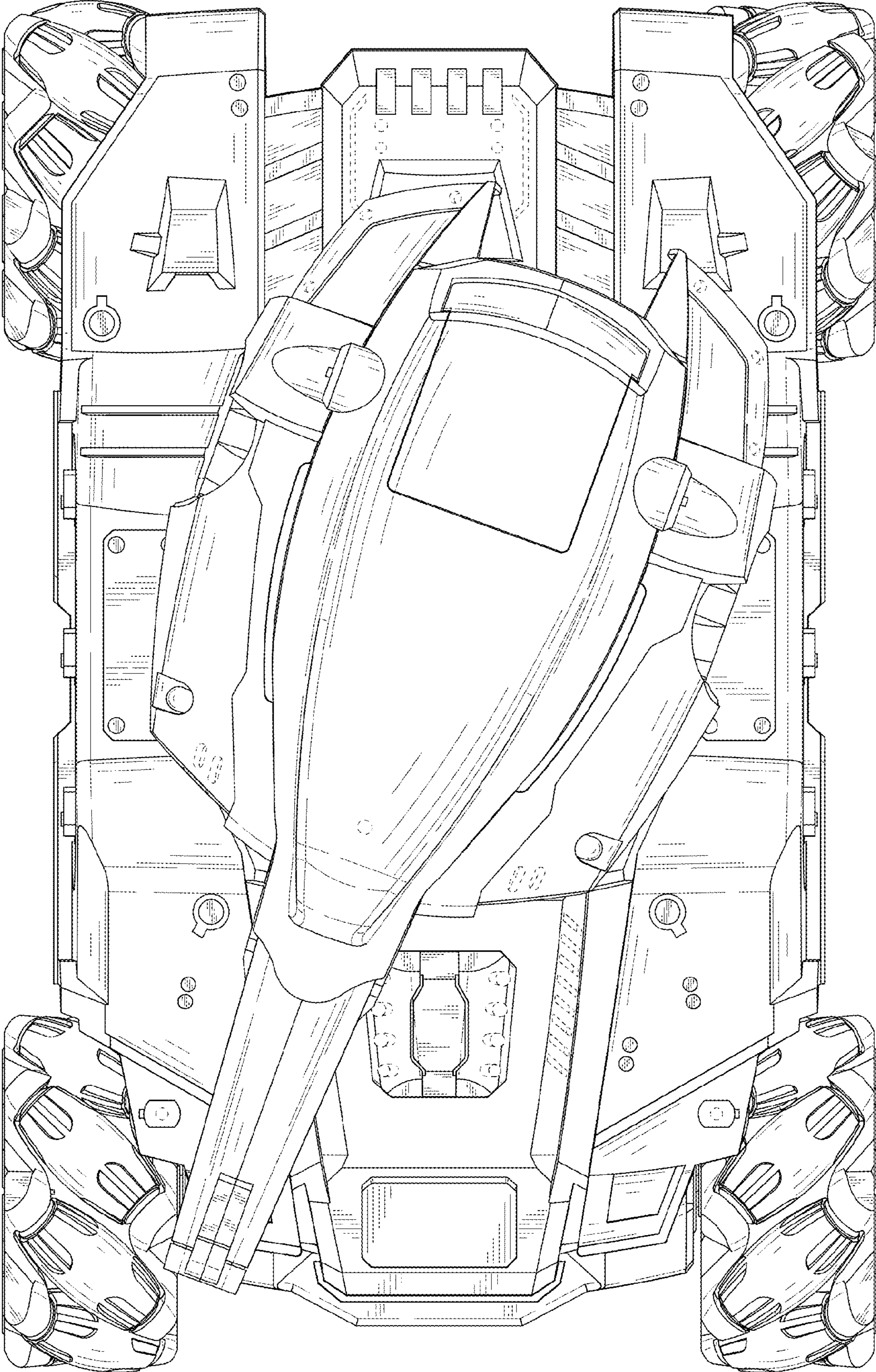


FIG. 7

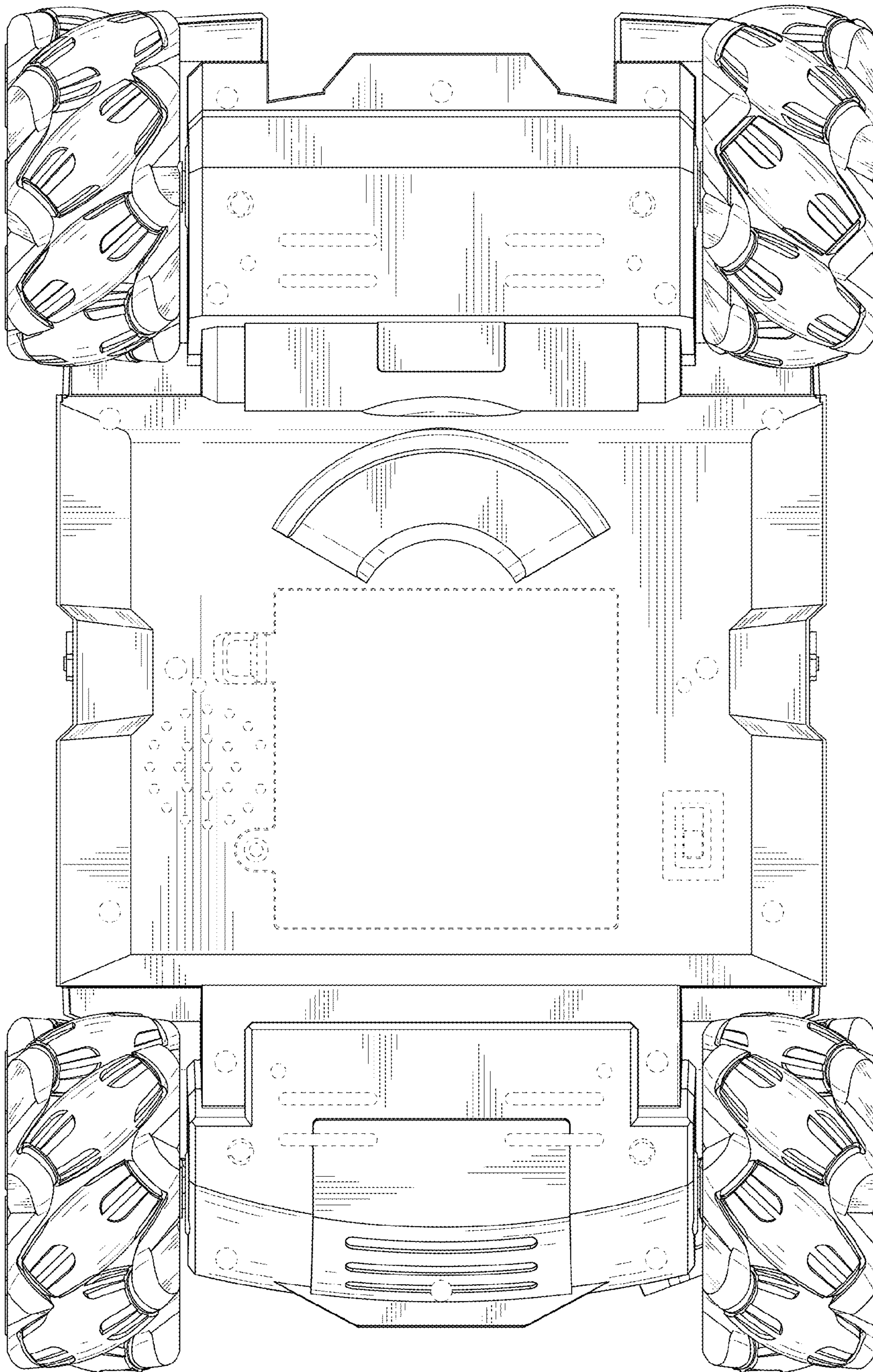


FIG. 8

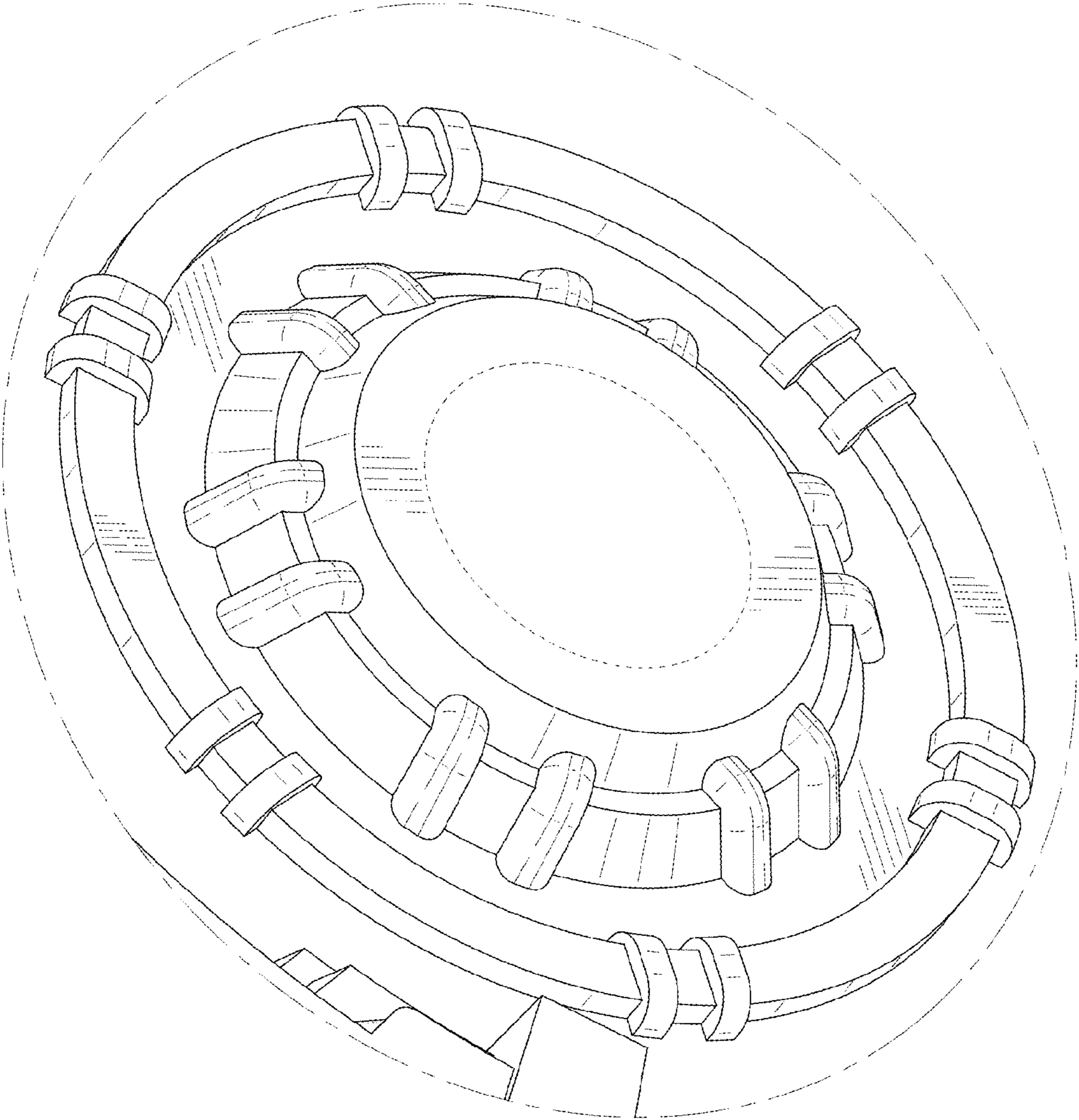


FIG. 9