



US00D980339S

(12) **United States Design Patent** (10) **Patent No.:** **US D980,339 S**
Rigby et al. (45) **Date of Patent:** **** Mar. 7, 2023**

(54) **CAMPER TOY**
(71) Applicant: **Lovevery, Inc.**, Boise, ID (US)
(72) Inventors: **Thomas Creason Rigby**, Boise, ID (US); **Seth Thomas Murray**, Piedmont, CA (US); **Philip J. Fouts**, Boise, ID (US)
(73) Assignee: **Lovevery, Inc.**, Boise, ID (US)
(**) Term: **15 Years**
(21) Appl. No.: **29/737,358**
(22) Filed: **Jun. 8, 2020**
(51) **LOC (14) Cl.** **21-01**
(52) **U.S. Cl.**
USPC **D21/533**; D21/534
(58) **Field of Classification Search**
USPC D21/533, 548, 549, 550, 551, 552, 534, D21/556, 560; D12/100, 103, 104
CPC A63H 17/00; A63H 17/045; A63H 17/02; A63H 17/004; A63H 17/05; A63H 33/003; B60P 3/1041; B60Y 2200/114
See application file for complete search history.

(56) **References Cited**

U.S. PATENT DOCUMENTS

D48,767 S * 3/1916 Wheeler D12/103
D93,873 S * 11/1934 Kaunitz D12/103
D159,326 S * 7/1950 Eldridge D12/103
2,561,921 A * 7/1951 Guillot B60P 3/34
296/171
D181,272 S * 10/1957 Bird D12/103
D192,498 S * 4/1962 Barton D12/103
D197,006 S * 12/1963 Savoy D12/93
D206,583 S * 1/1967 Christin D12/104
D207,950 S * 6/1967 Hartmann D12/2
3,352,596 A * 11/1967 Eduardo B60P 3/34
296/169
3,588,167 A * 6/1971 Ratcliff B60P 3/34
296/171

D225,159 S * 11/1972 Gardner D12/103
3,734,559 A * 5/1973 Touchette B60P 3/34
296/171
3,887,226 A * 6/1975 Hart B60P 3/34
296/26.11

(Continued)

FOREIGN PATENT DOCUMENTS

WO WO 040877 S 7/1997

OTHER PUBLICATIONS

Lovevery's Brain-Boosting Play Kits, available on mothermag.com, date posted Jun. 15, 2020, [site visited Dec. 27, 2021], URL: <https://www.mothermag.com/lovevery-play-kits-for-toddlers/> (Year: 2020).*

(Continued)

Primary Examiner — Dana K Weiland
Assistant Examiner — Emily Anna Saunders
(74) *Attorney, Agent, or Firm* — Fish & Richardson P.C.

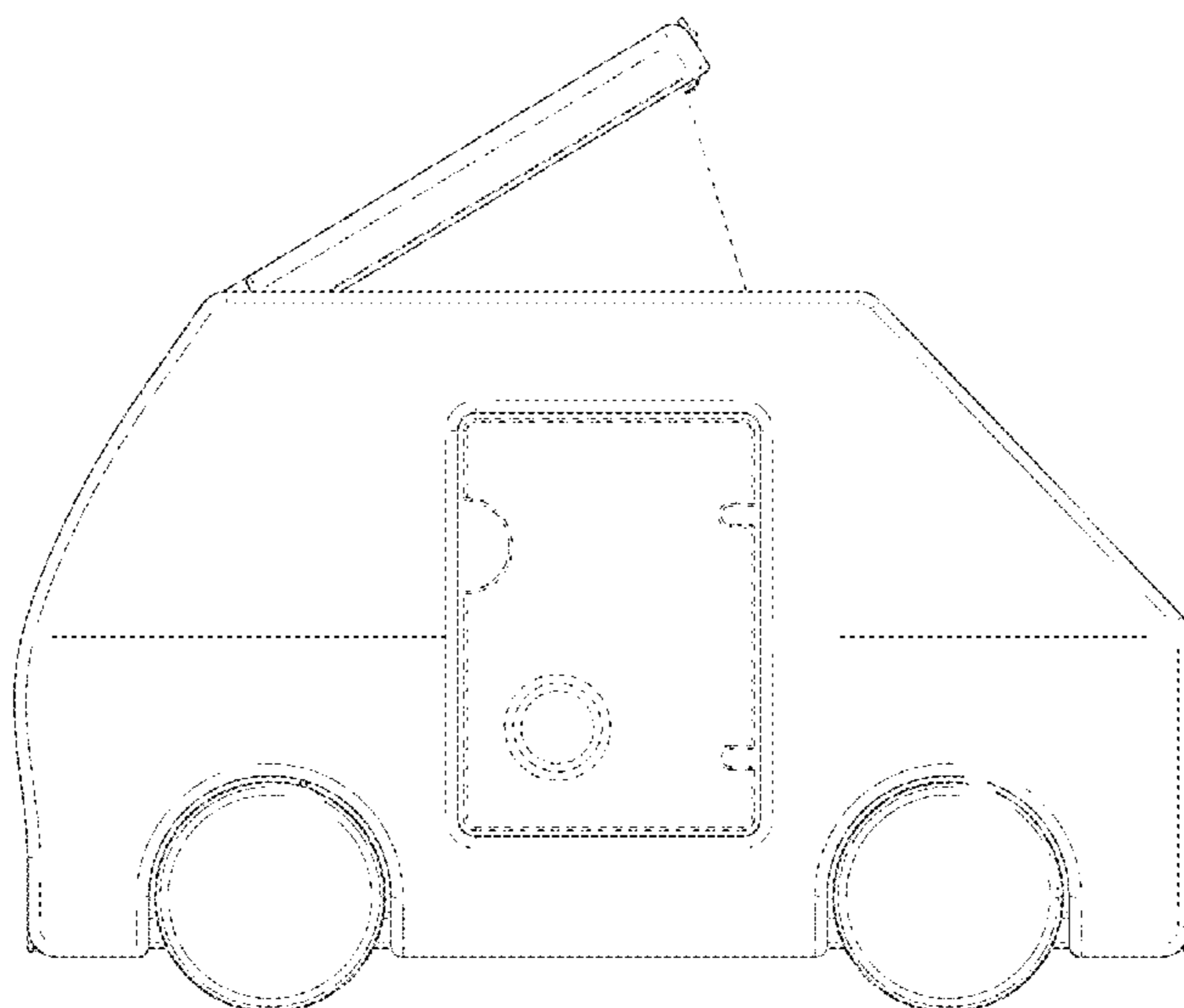
(57) **CLAIM**

The ornamental design for a camper toy, as shown and described.

DESCRIPTION

FIG. 1 is a first perspective view of a camper toy showing our new design.
FIG. 2 is a second perspective view thereof.
FIG. 3 is a third perspective view thereof.
FIG. 4 is a front view thereof.
FIG. 5 is a back view thereof.
FIG. 6 is a right side view thereof.
FIG. 7 is a left side view thereof.
FIG. 8. is a top view thereof; and,
FIG. 9. is a bottom view thereof.
The broken lines in the drawings depict portions of the camper toy that form no part of the claimed design.

1 Claim, 7 Drawing Sheets



(56)

References Cited

U.S. PATENT DOCUMENTS

D242,851 S *	12/1976	Sakow	D12/103
D258,949 S *	4/1981	White	D12/103
D350,284 S *	9/1994	Ran	D21/552
D354,023 S *	1/1995	Romesburg	D12/102
D458,190 S *	6/2002	LeDonne	D12/102
D504,707 S *	5/2005	Gieson	D21/552
D675,680 S *	2/2013	Long	D21/425
9,919,639 B1 *	3/2018	Lanza	B60P 3/32
D845,832 S *	4/2019	Ishikawa	D12/1
D875,612 S *	2/2020	Arter	D12/102
D932,375 S *	10/2021	Canaday	D12/102
D935,942 S *	11/2021	Bazinet	D12/103

OTHER PUBLICATIONS

Lovevery Unboxing and Review, available on YouTube.com, date posted Aug. 13, 2020, [site visited Dec. 27, 2021], URL: https://www.youtube.com/watch?v=3HZ_9z18MPc (Year: 2020).*

Lovevery Unboxing and Review! Is is Worth It?, available on YouTube.com, date posted Aug. 29, 2020, [site visited Dec. 27, 2021], URL: <https://www.youtube.com/watch?v=9AsEXKDA89k> (Year: 2020).*

At Home With Maryland Mama Sy'Vone Murphy, available on mothermag.com, date posted Nov. 19, 2021, [site visited Dec. 27, 2021], URL: <https://www.mothermag.com/syvone-murphy-lovevery-play-kits/> (Year: 2021).*

Lovevery Free Spirit Play Kit Review, available on theconfusedmillennial.com, date Posted Dec. 7, 2021, [site visited Dec. 27, 2021], URL: <https://www.theconfusedmillennial.com/lovevery-free-spirit-play-kit-review/> (Year: 2021).*

The Free Spirit Play Kit, available on lovevery.com, [site visited Dec. 27, 2021], URL: <https://lovevery.com/products/the-play-kits-the-free-spirit> (Year: 2021).*

ELC Wooden Camper Van, available on carousell.sg, [site visited Dec. 27, 2021], URL: <https://www.carousell.sg/p/elc-wooden-camper-van-46564293/> (Year: 2021).*

Promotional Wholesale Handmade DIY Solid Wooden Toy, available on alibaba.com, [site visited Dec. 27, 2021], URL: https://www.alibaba.com/product-detail/promotional-wholesale-handmade-DIY-kids-solid_60393567595.html (Year: 2021).*

* cited by examiner

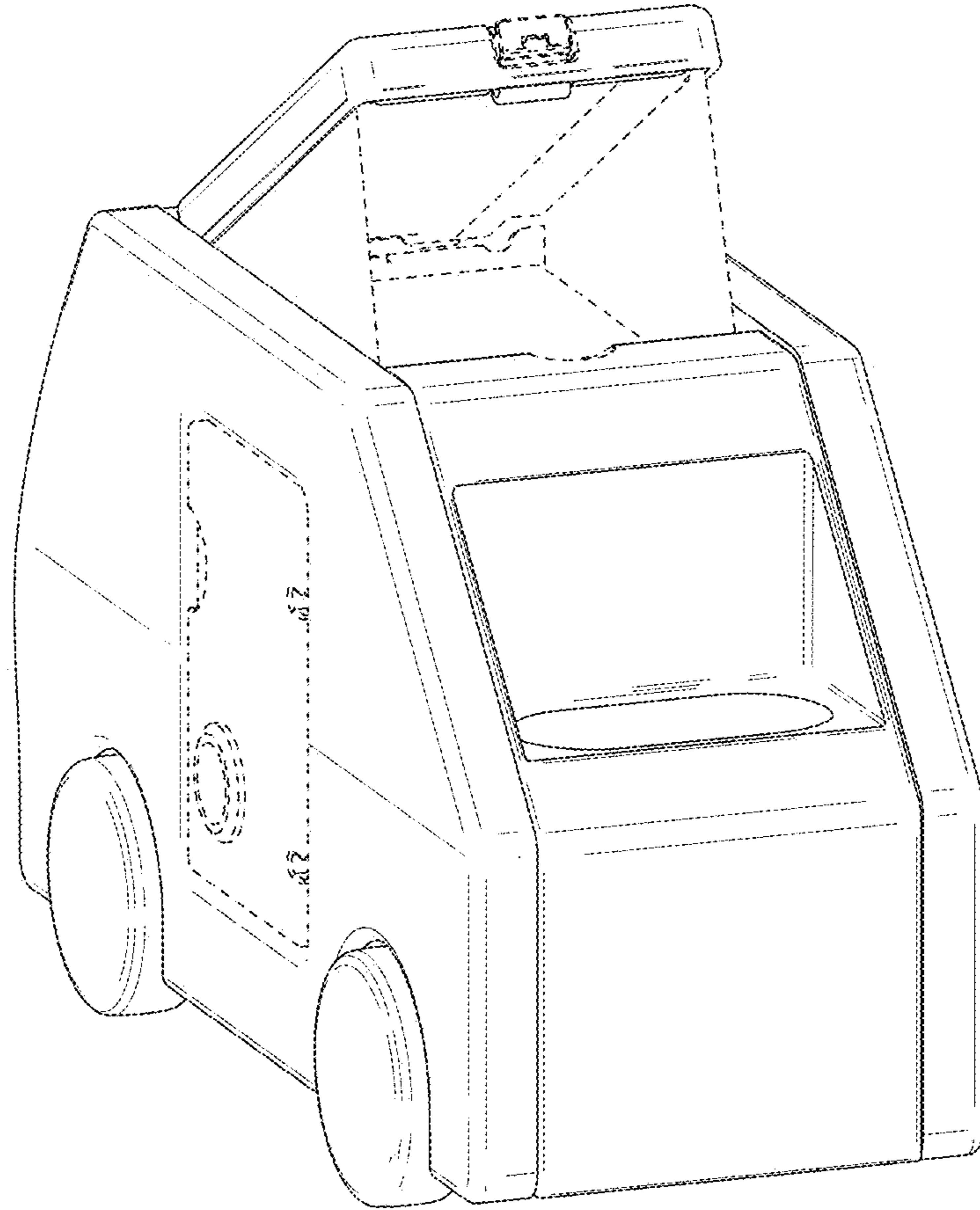


FIG. 1

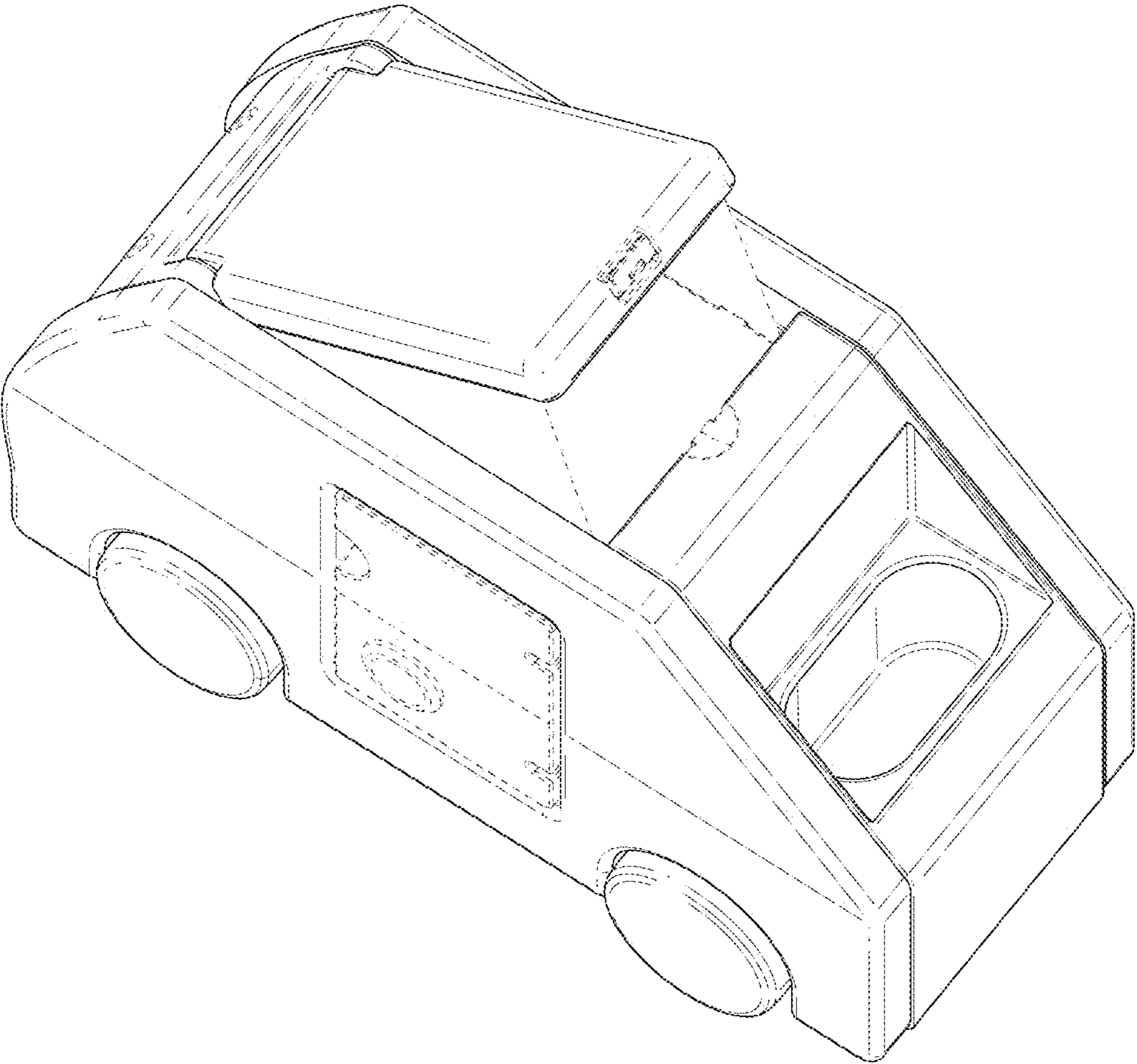


FIG. 2

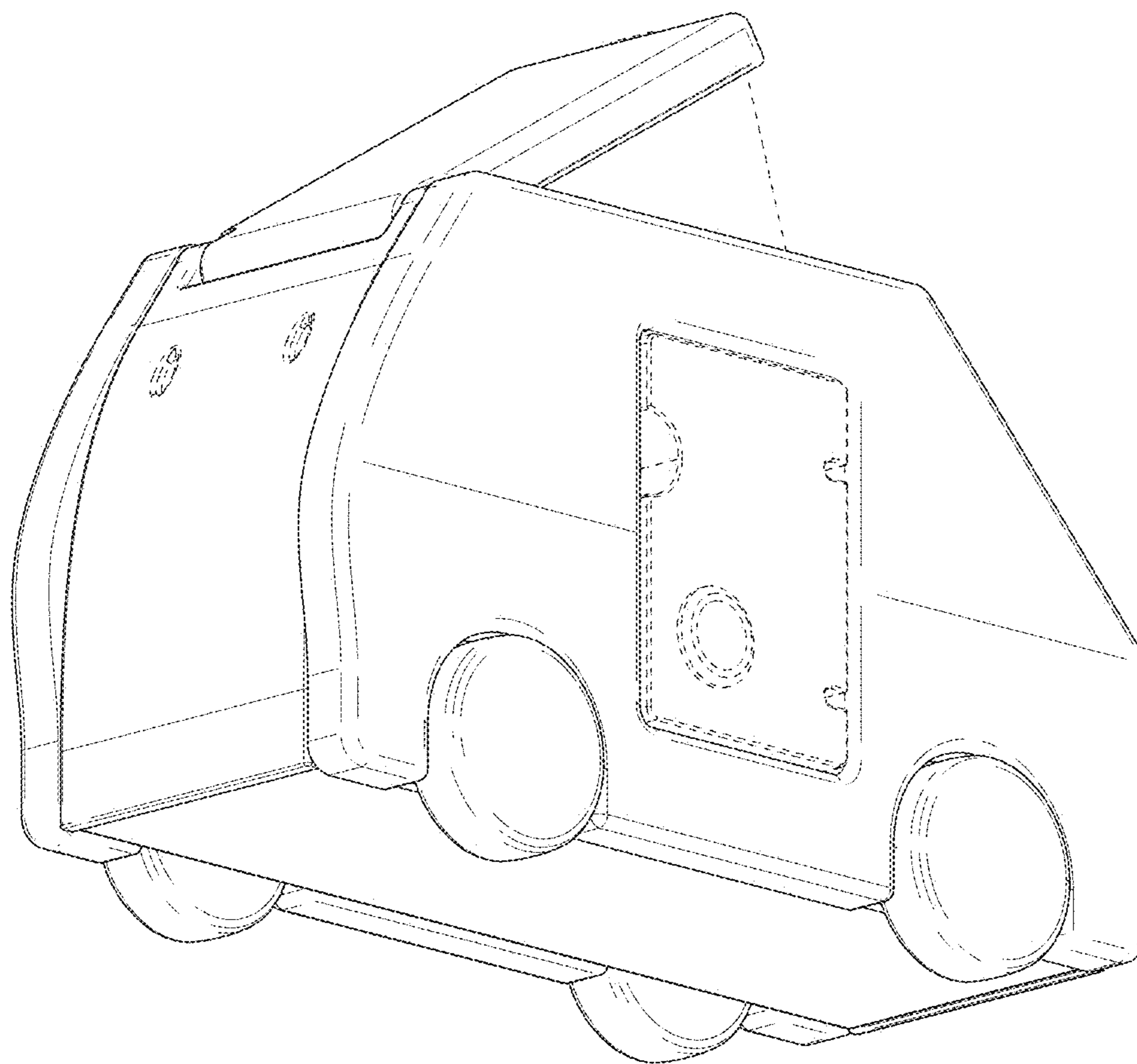


FIG. 3

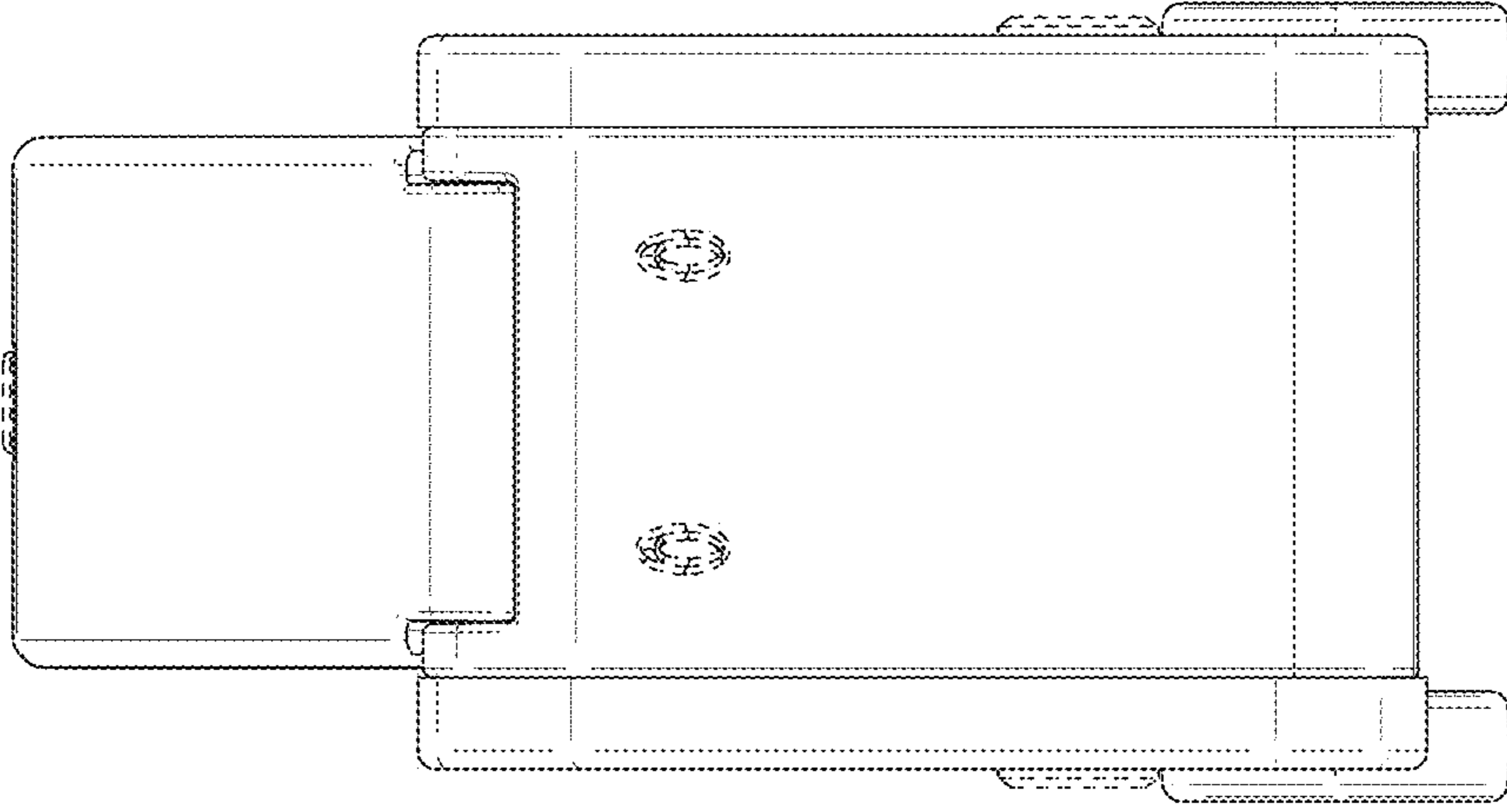


FIG. 5

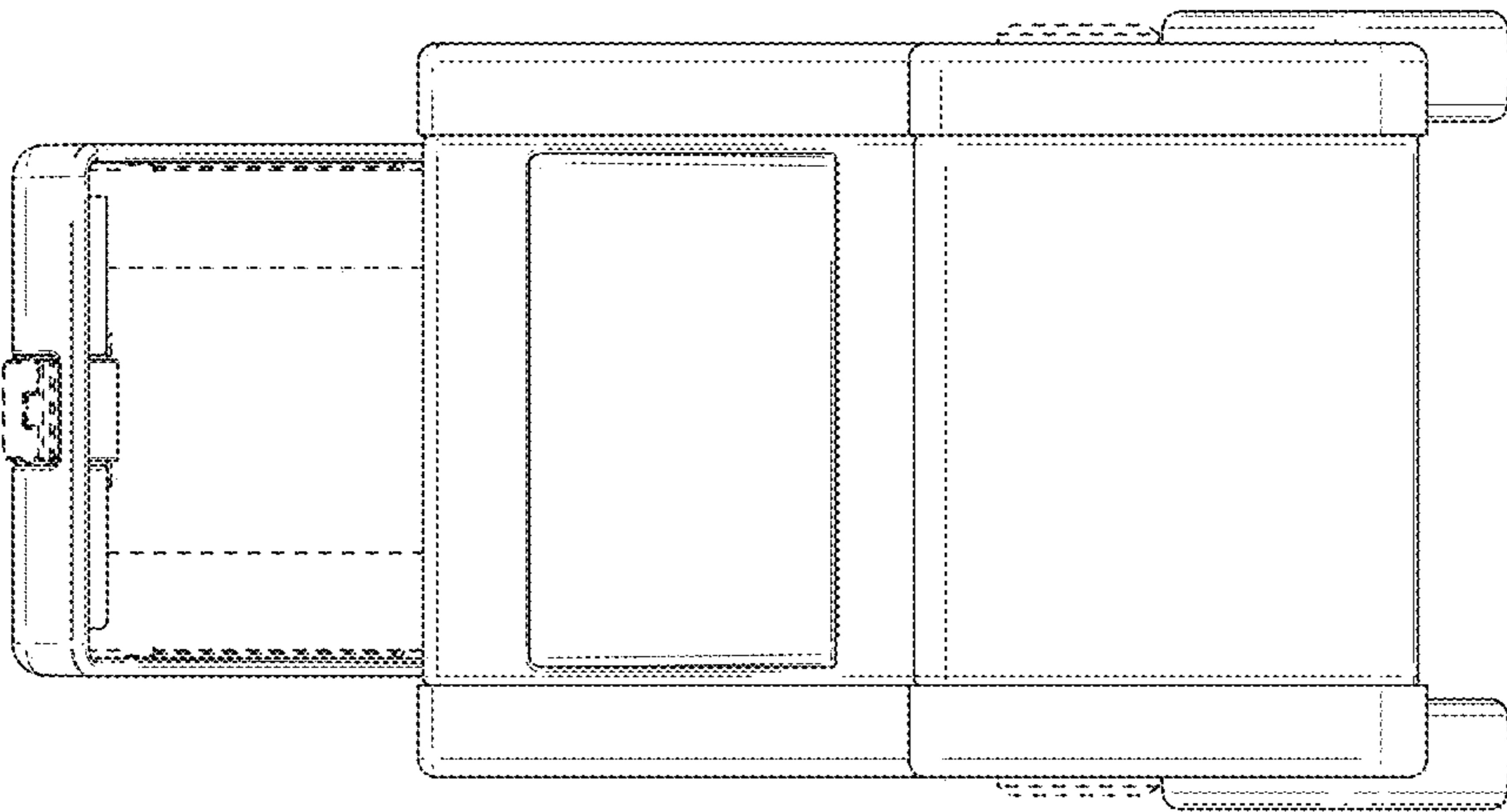


FIG. 4

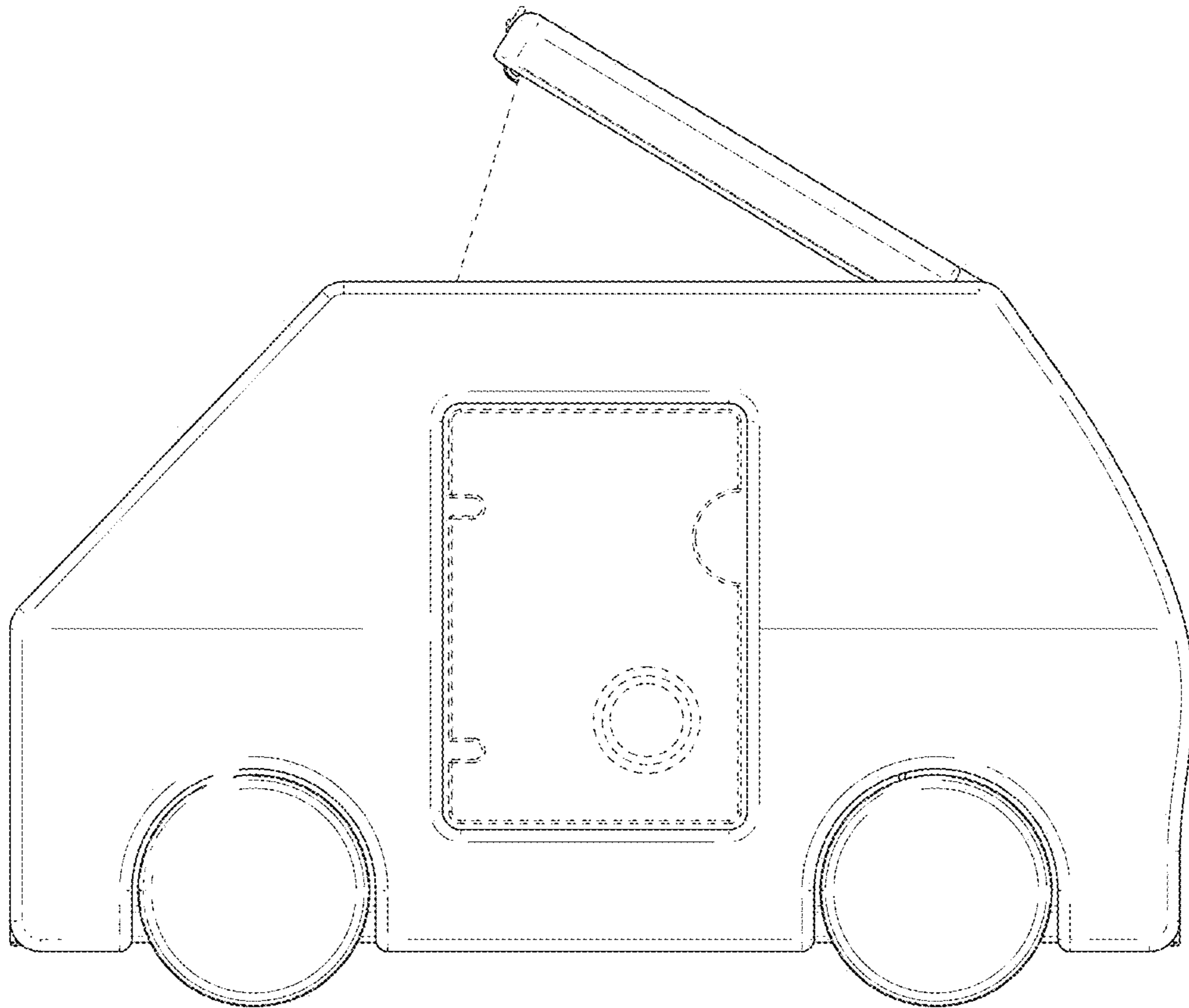


FIG. 6

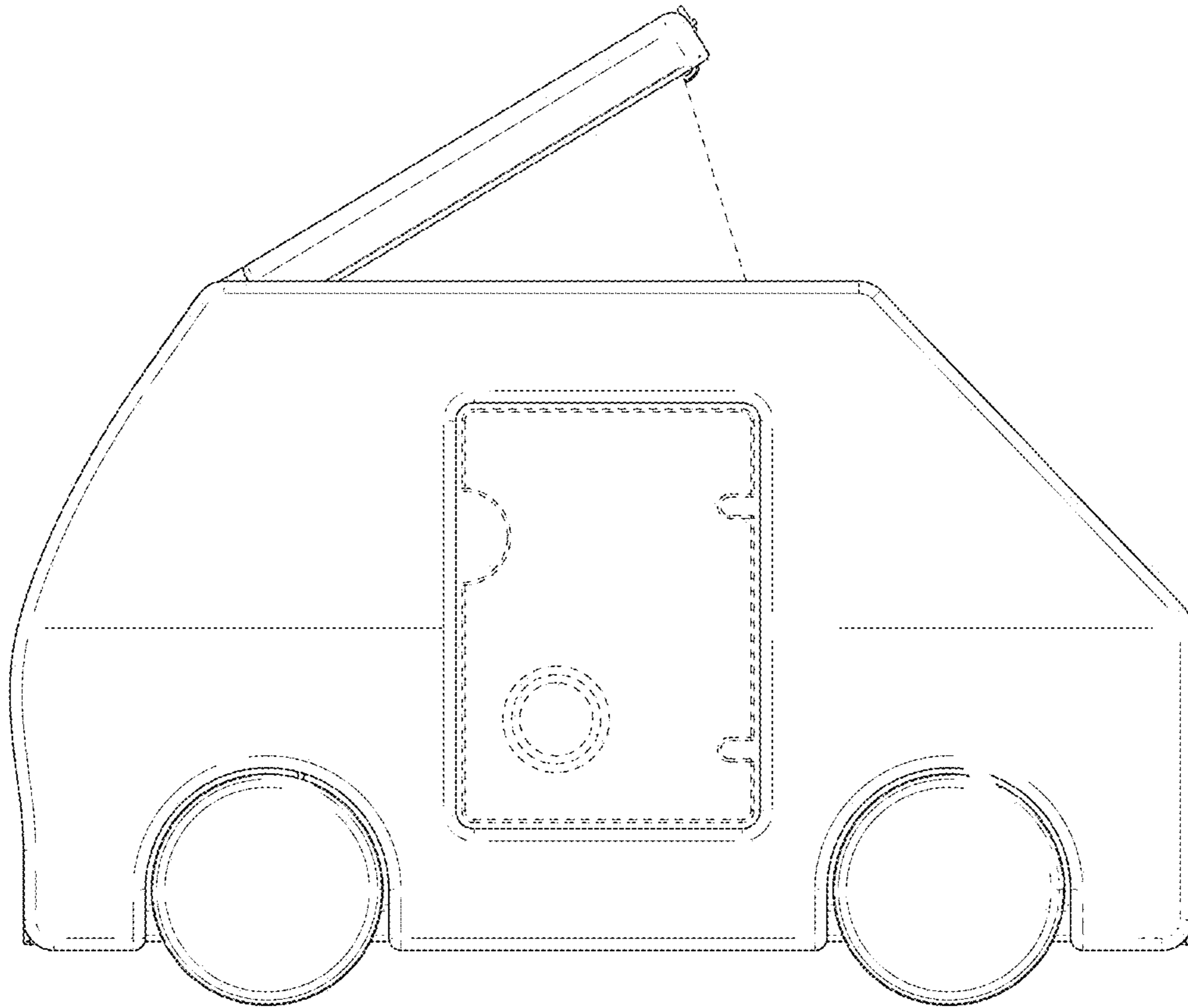


FIG. 7

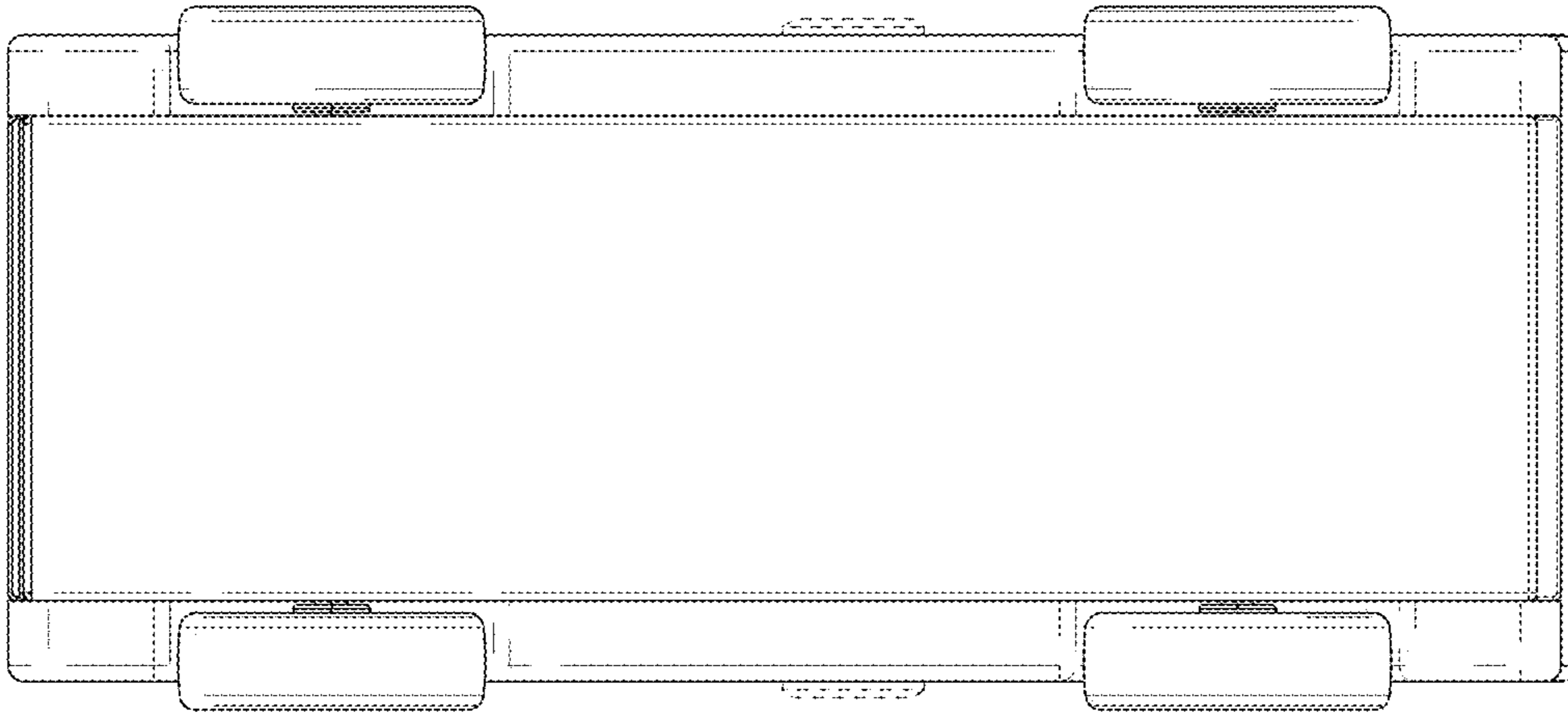


FIG. 9

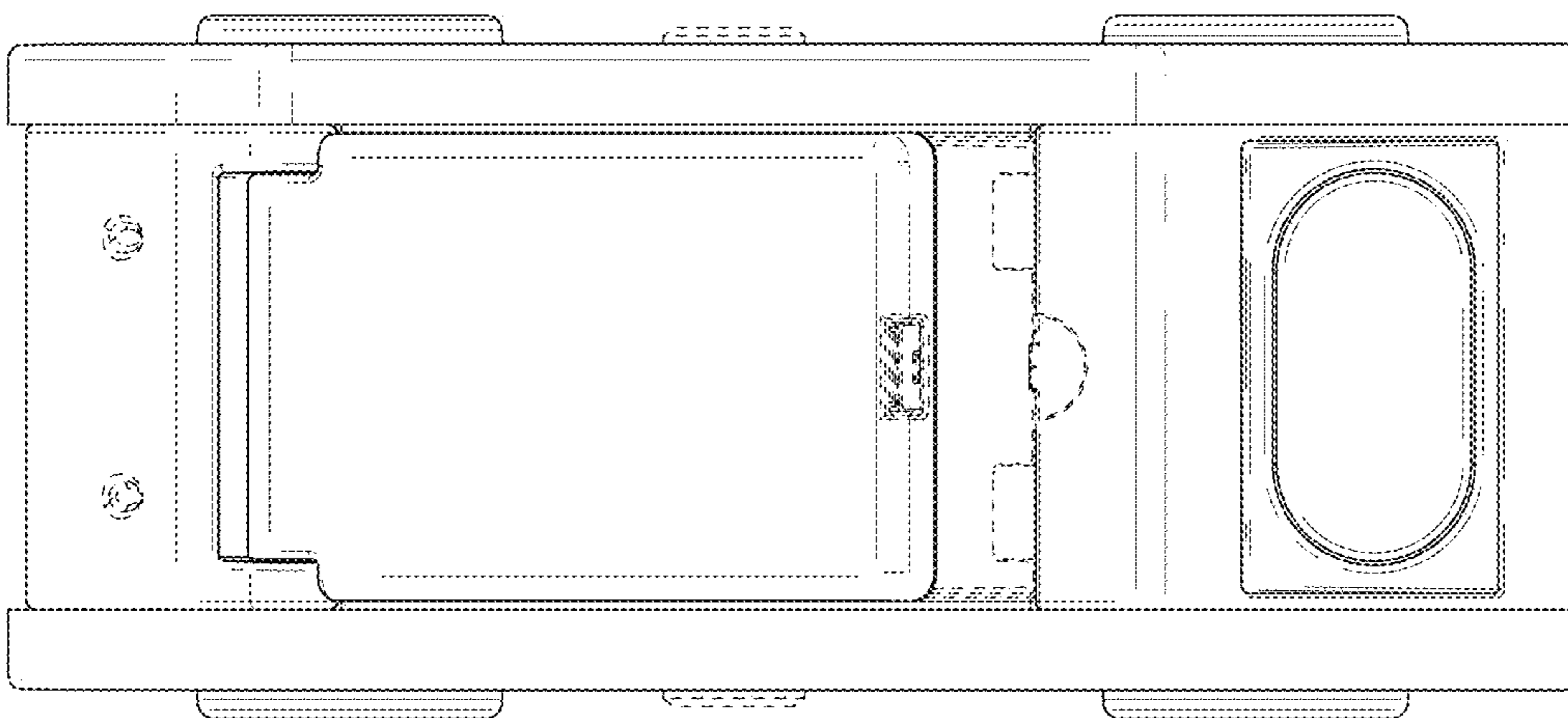


FIG. 8