



US00D980338S

(12) **United States Design Patent**
Chen et al.

(10) **Patent No.:** **US D980,338 S**
(45) **Date of Patent:** **** Mar. 7, 2023**

(54) **TOY BARN**
(71) Applicants: **Minxuan Chen**, Chaozhou (CN);
Mengye Yu, Shantou (CN)
(72) Inventors: **Minxuan Chen**, Chaozhou (CN);
Mengye Yu, Shantou (CN)
(**) Term: **15 Years**
(21) Appl. No.: **29/844,676**
(22) Filed: **Jun. 30, 2022**
(51) **LOC (14) Cl.** **21-01**
(52) **U.S. Cl.**
USPC **D21/508**
(58) **Field of Classification Search**
USPC D21/506, 507, 508, 511, 530, 811;
D30/161
CPC A63H 3/52; A63H 33/044; A63H 33/008
See application file for complete search history.

D334,634 S * 4/1993 Greitzer D30/108
D380,247 S * 6/1997 Morris D21/507
5,733,165 A * 3/1998 Kelley A63H 3/52
446/478
6,108,982 A * 8/2000 Davison A63H 3/52
446/478
6,168,494 B1 * 1/2001 Engel A63H 33/42
446/484
D473,352 S * 4/2003 Neves D30/161
D501,962 S * 2/2005 Neves D30/161
8,821,207 B1 * 9/2014 Hart A63H 33/04
24/442
2015/0065009 A1 * 3/2015 Chase A63H 3/52
446/444

* cited by examiner

Primary Examiner — Cynthia M. Chin

(57) **CLAIM**

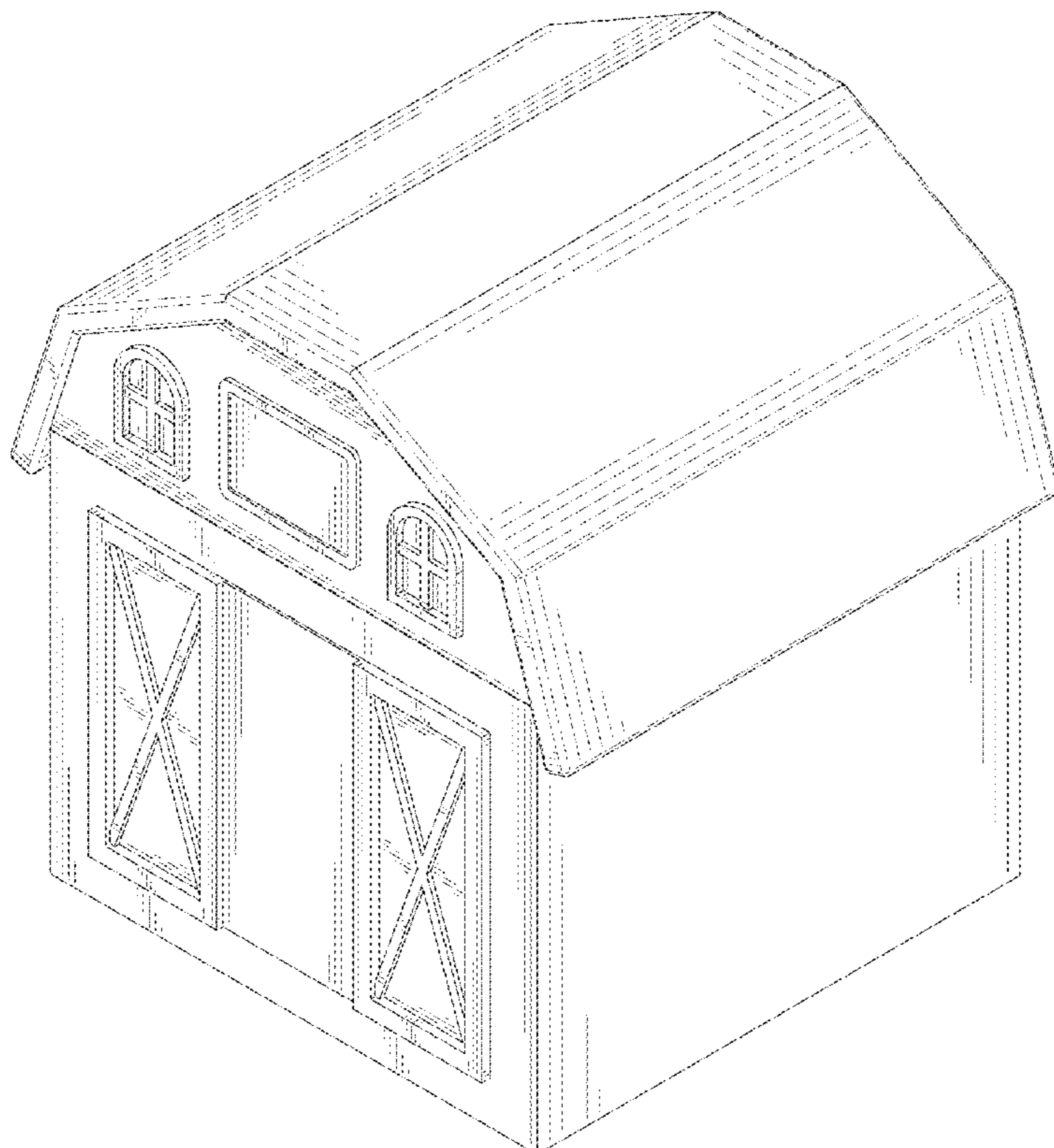
The ornamental design for a toy barn, as shown and described.

DESCRIPTION

FIG. 1 is a front and top perspective view of a toy barn, showing our new design;
FIG. 2 is a rear and bottom perspective view thereof;
FIG. 3 is a front elevation view thereof;
FIG. 4 is a rear elevation view thereof;
FIG. 5 is a left side elevation view thereof;
FIG. 6 is a right side elevation view thereof;
FIG. 7 is a top plan view thereof; and,
FIG. 8 is a bottom plan view thereof.

1 Claim, 8 Drawing Sheets

(56) **References Cited**
U.S. PATENT DOCUMENTS
D240,252 S * 6/1976 Orenstein D21/508
D248,879 S * 8/1978 Hill D30/112
D260,244 S * 8/1981 Young D10/11
D275,211 S * 8/1984 Mariol D21/508
4,467,572 A * 8/1984 Somers E04B 1/3445
16/225
D286,418 S 10/1986 Appel et al.
D311,226 S * 10/1990 LaBossiere D21/511



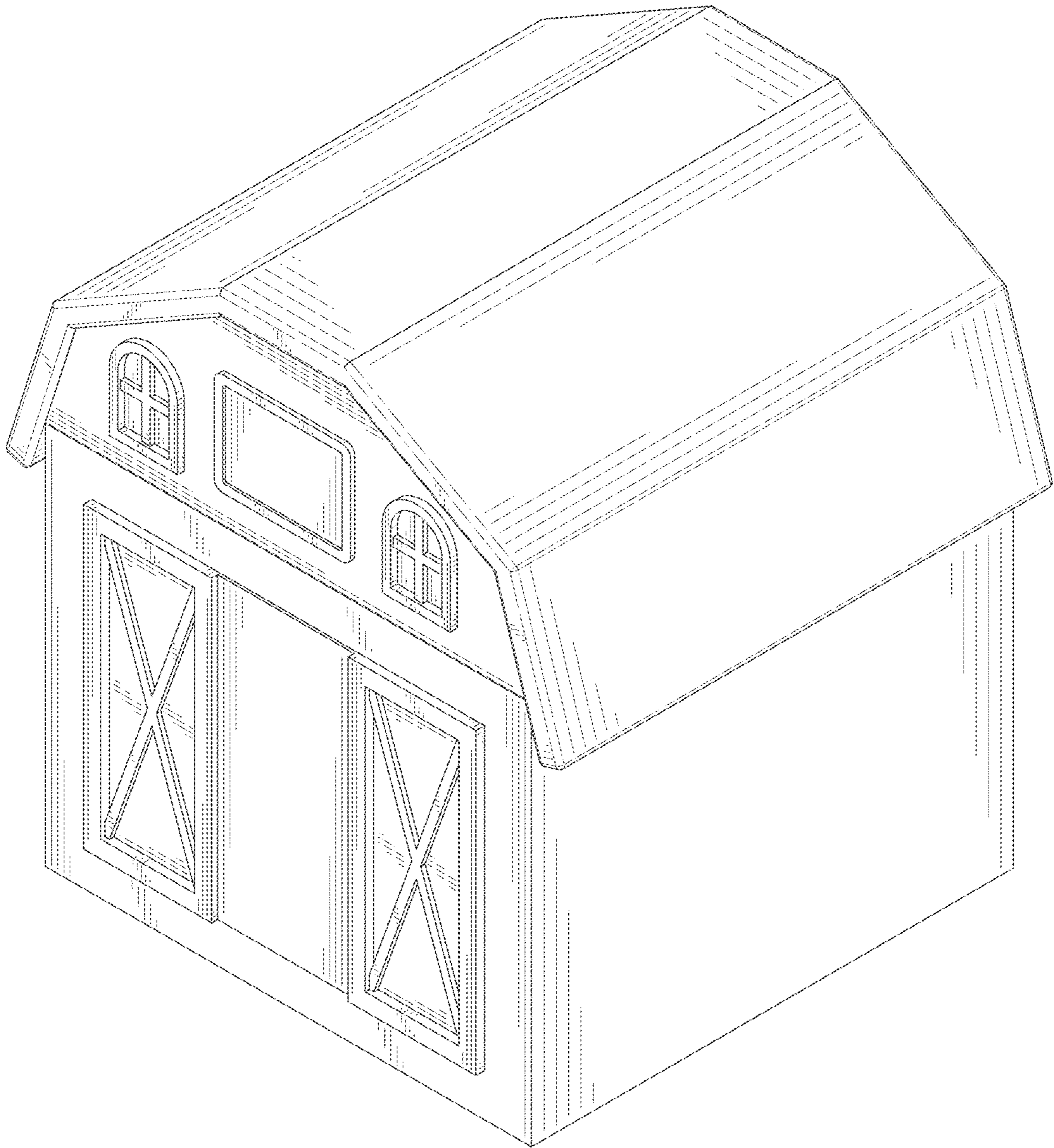


FIG. 1

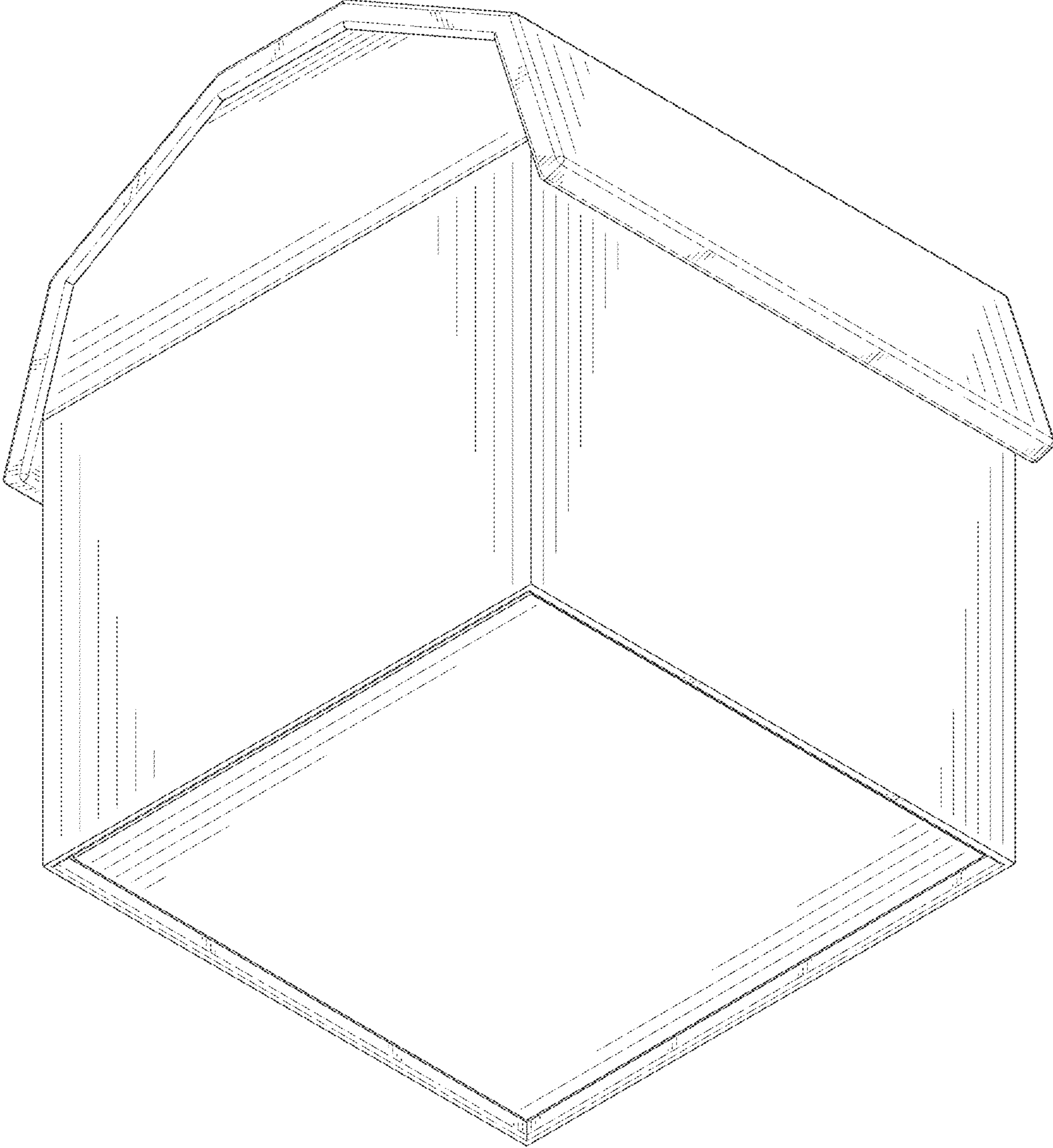


FIG. 2

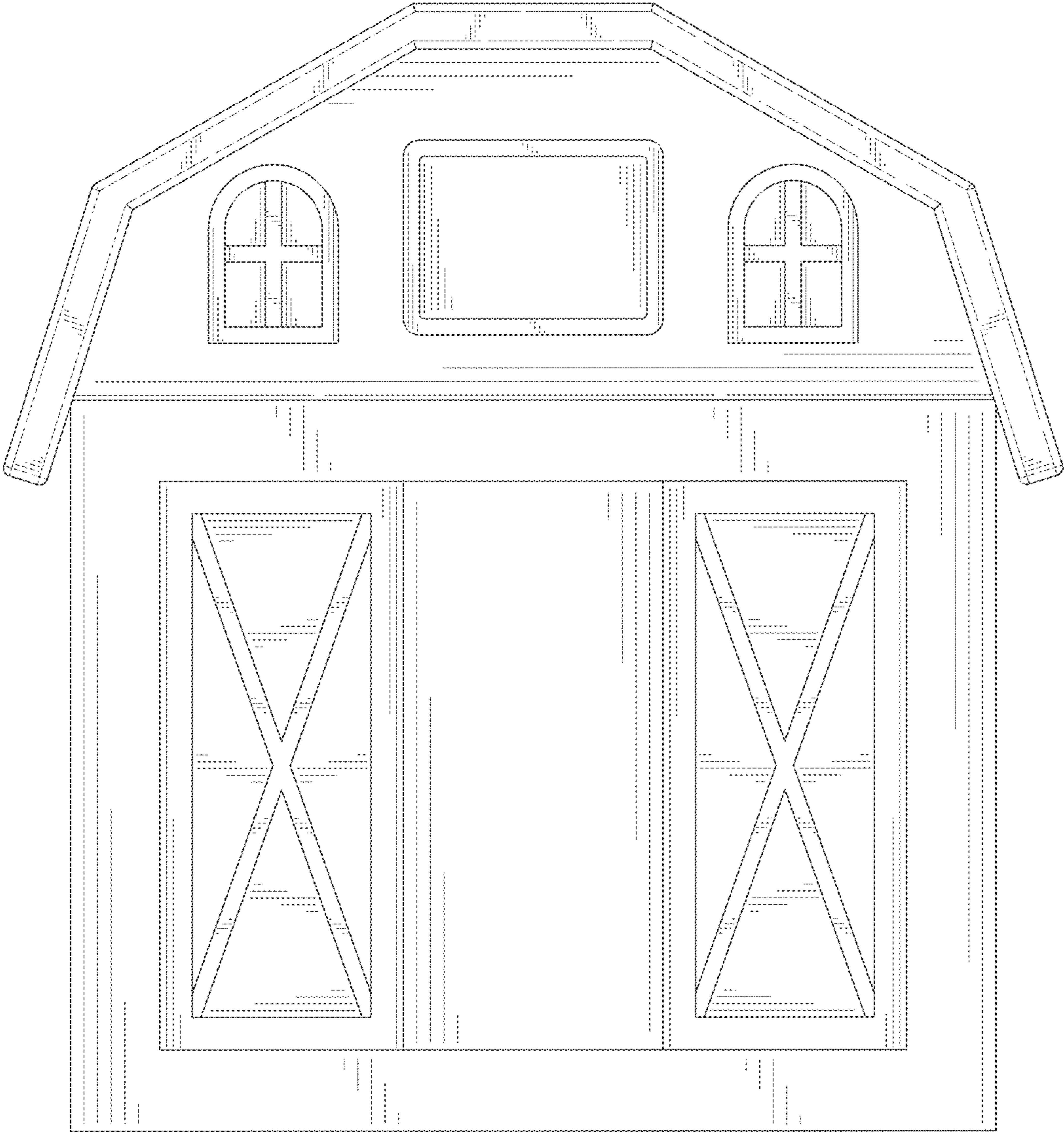


FIG. 3

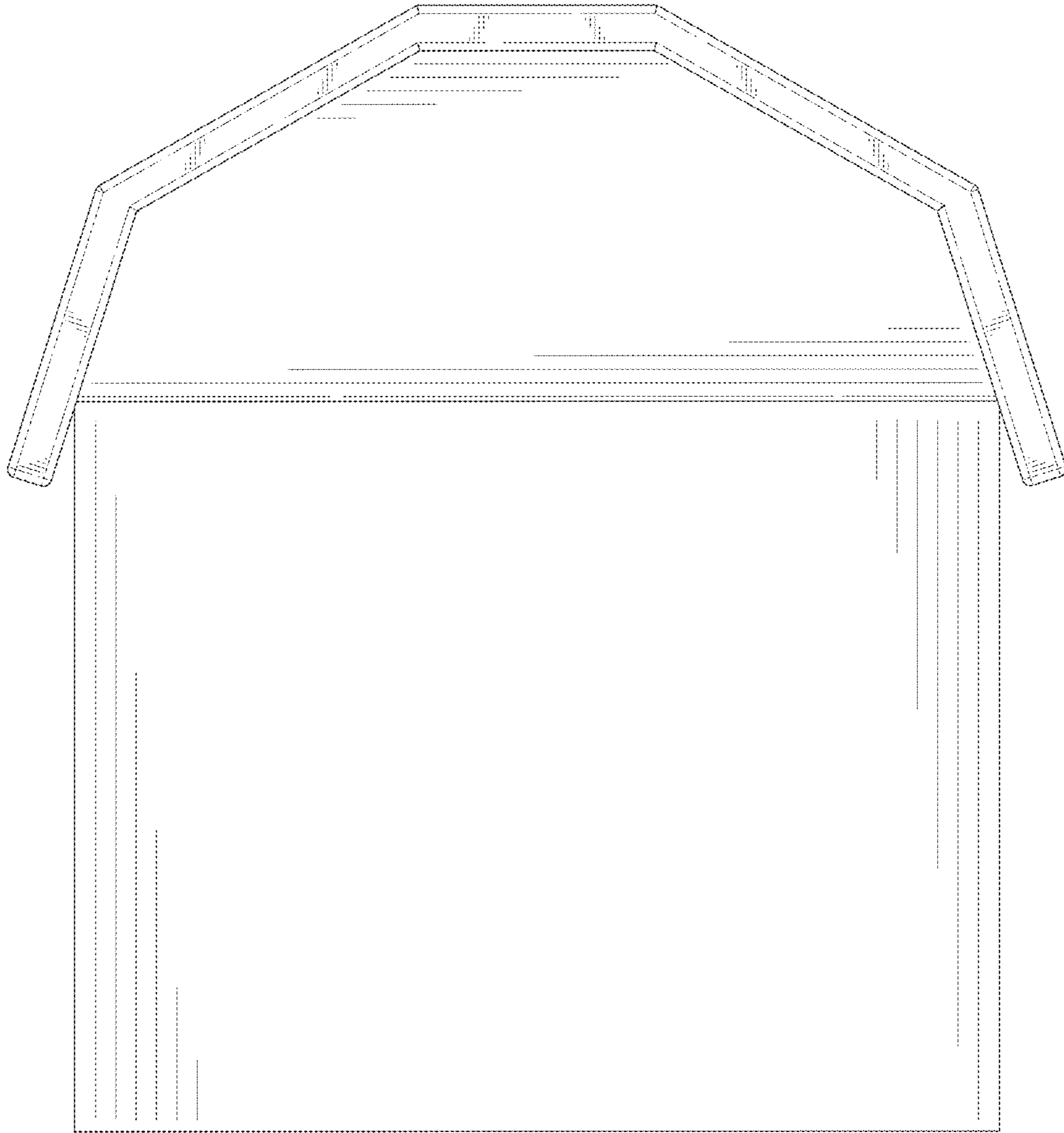


FIG. 4

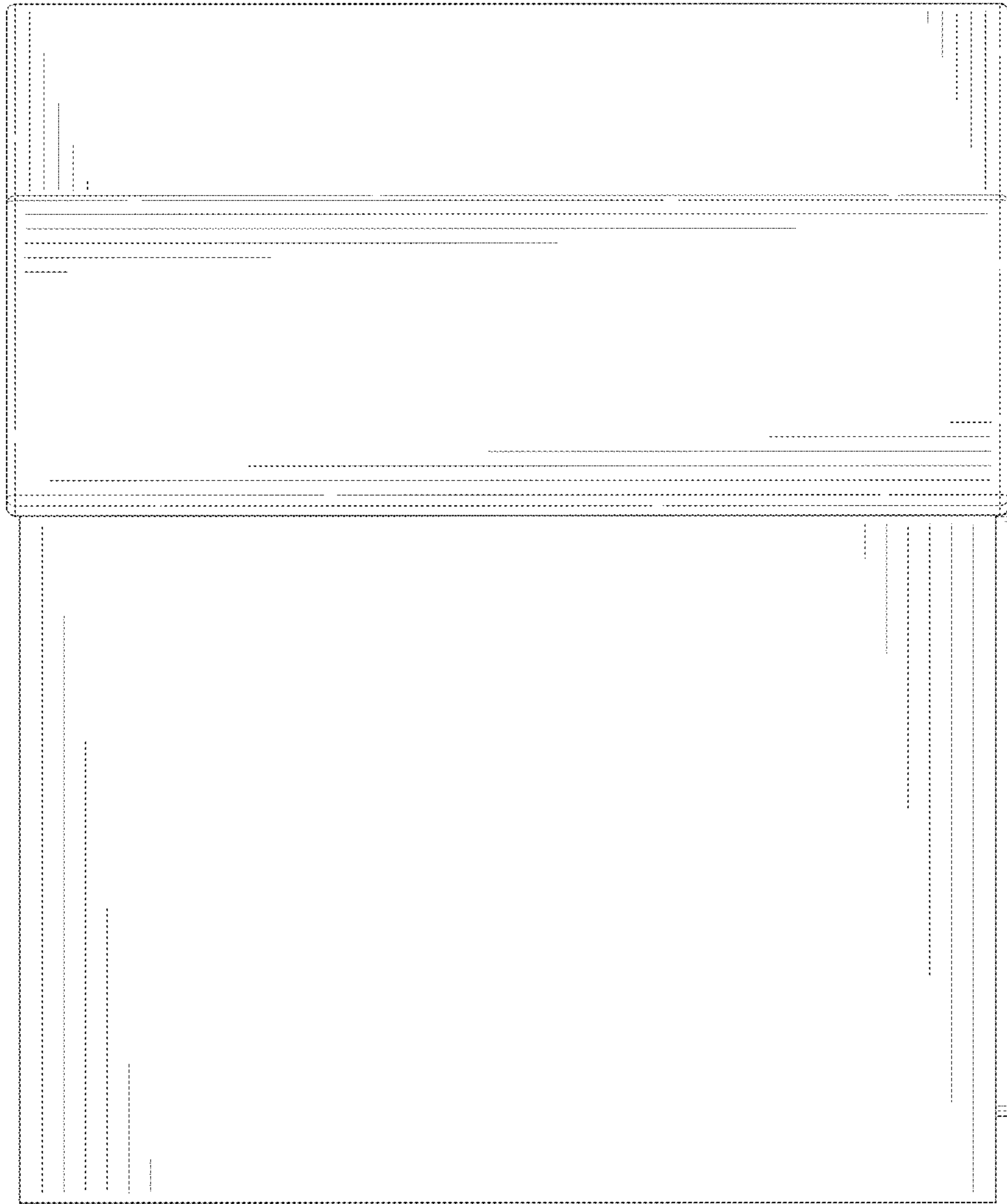


FIG. 5

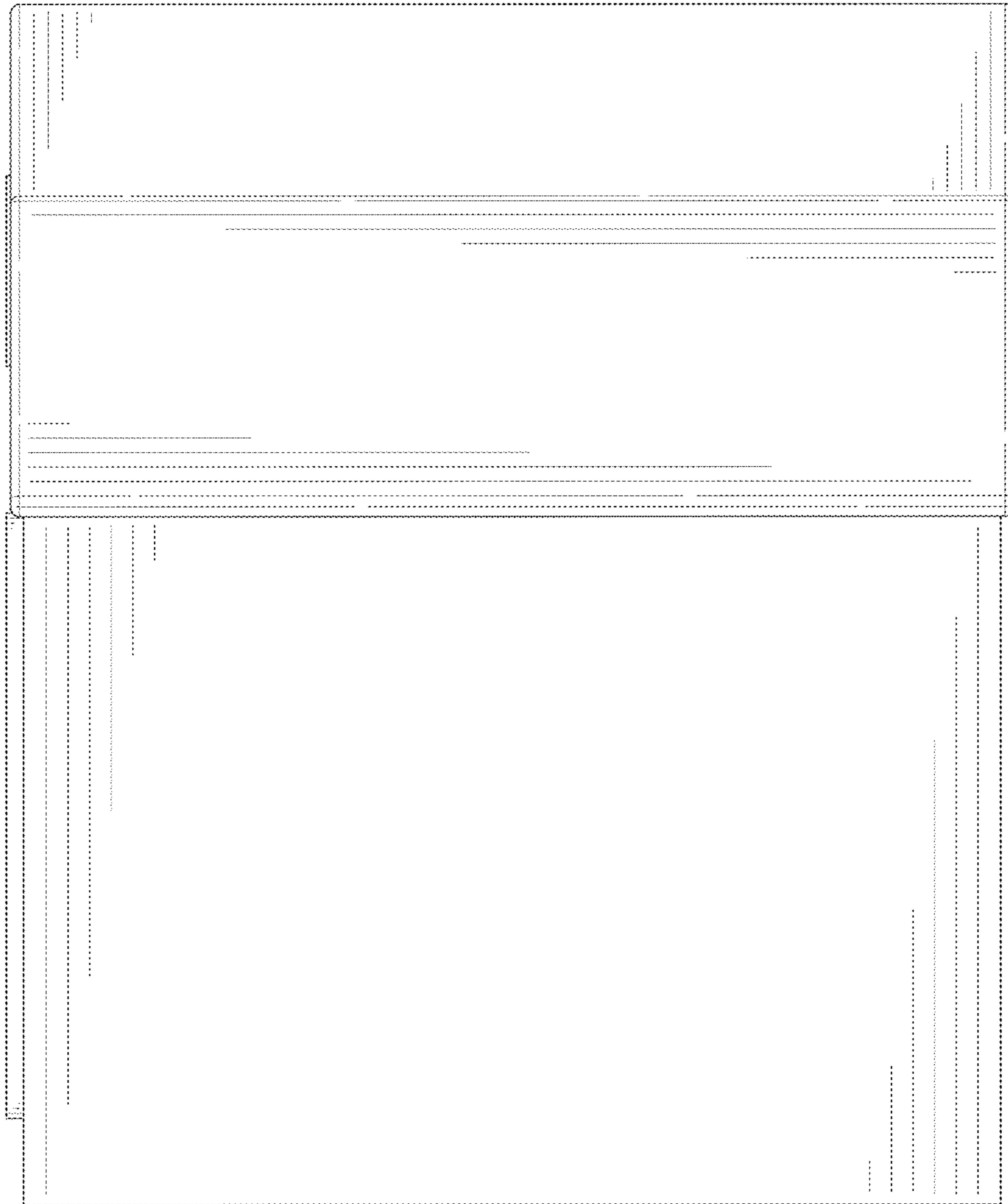


FIG. 6

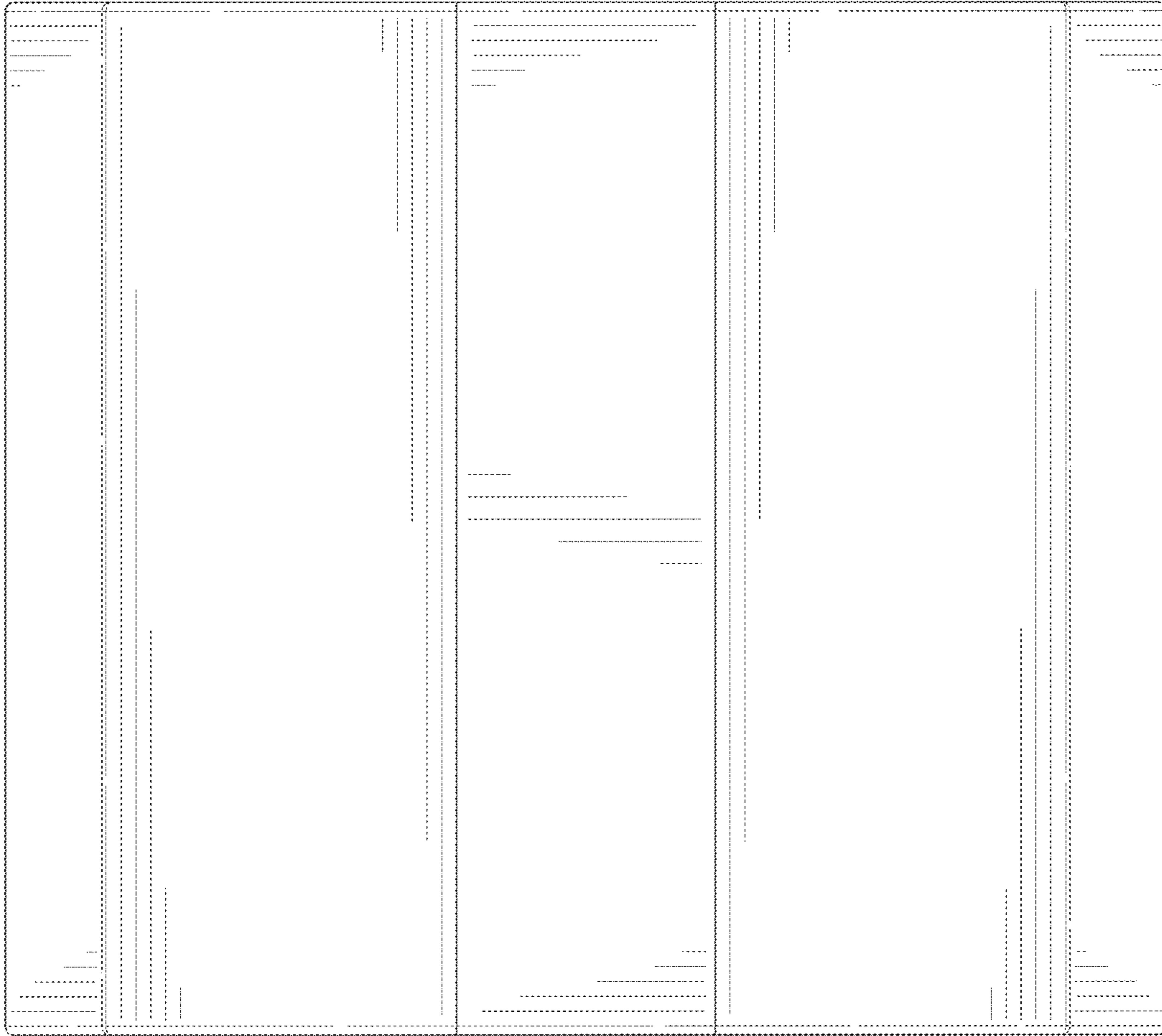


FIG. 7

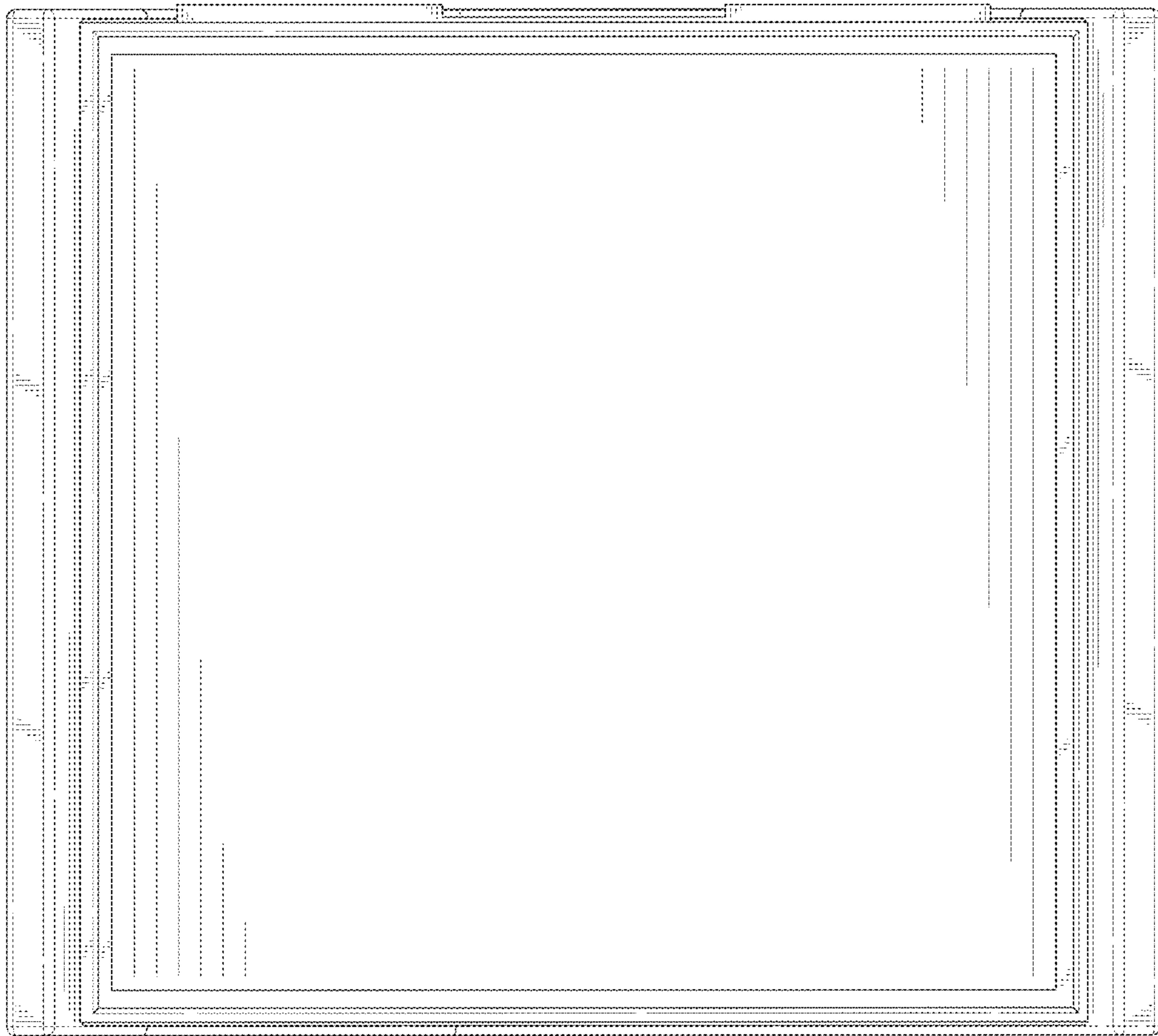


FIG. 8