



US00D980336S

(12) **United States Design Patent** (10) **Patent No.:** **US D980,336 S**
Comfort et al. (45) **Date of Patent:** **** Mar. 7, 2023**

(54) **HANDLE ARMS FOR GAME**
(71) Applicant: **Q-BA-MAZE Inc.**, Minneapolis, MN (US)
(72) Inventors: **Andrew Comfort**, Minneapolis, MN (US); **Shane Rogers**, Woodbury, MN (US); **Lauren Johnson**, Saint Paul, MN (US); **Kristin Gallagher**, Lino Lakes, MN (US)
(73) Assignee: **Q-BA-MAZE Inc.**, Minneapolis, MN (US)

1,524,378 A 1/1925 Antes
1,724,447 A 8/1929 Abbott et al.
D125,002 S * 2/1941 Mildwoff D6/692
D167,195 S * 7/1952 Buell D6/692.5
D186,278 S 10/1959 Dart
2,988,361 A 6/1961 Dart
D197,722 S * 3/1964 Crawford D6/692
D217,767 S * 6/1970 Harness D23/218

(Continued)

FOREIGN PATENT DOCUMENTS

DE 402021100572-0003 * 9/2021
DE 402021100572-0004 * 9/2021

(Continued)

(**) Term: **15 Years**
(21) Appl. No.: **29/764,108**
(22) Filed: **Dec. 28, 2020**
(51) **LOC (14) Cl.** **21-01**
(52) **U.S. Cl.**
USPC **D21/456; D21/565**
(58) **Field of Classification Search**
USPC D21/394, 478, 476, 484, 488, 490, 495,
D21/671, 672, 682, 698, 705, 715, 722,
D21/729, 456, 459, 564, 565; D6/677,
D6/677.2, 692.1, 692, 692.2, 692.4,
D6/707.2, 708, 708.2, 709, 709.18;
D8/300
CPC A63F 9/06; A63F 9/08; A47B 2003/0827;
A47B 2023/048; A47B 95/02; A47B
2095/023; A47B 2095/024; A47B
2220/0047; A63G 1/00; A63G 1/12
See application file for complete search history.

OTHER PUBLICATIONS

Q-BA-Maze 2.0 Grand Prix Racing Set, available on mindware.orientaltrading.com, oldest customer question Oct. 4, 2021, [site visited Jun. 28, 2022], URL: <https://www.mindware.orientaltrading.com/q-ba-maze-2-0-grand-prix-racing-set-a2-14097855.fltr> (Year: 2021).*

(Continued)

Primary Examiner — Dana K Weiland
Assistant Examiner — Emily Anna Saunders
(74) *Attorney, Agent, or Firm* — Padda Law Group

(57) **CLAIM**

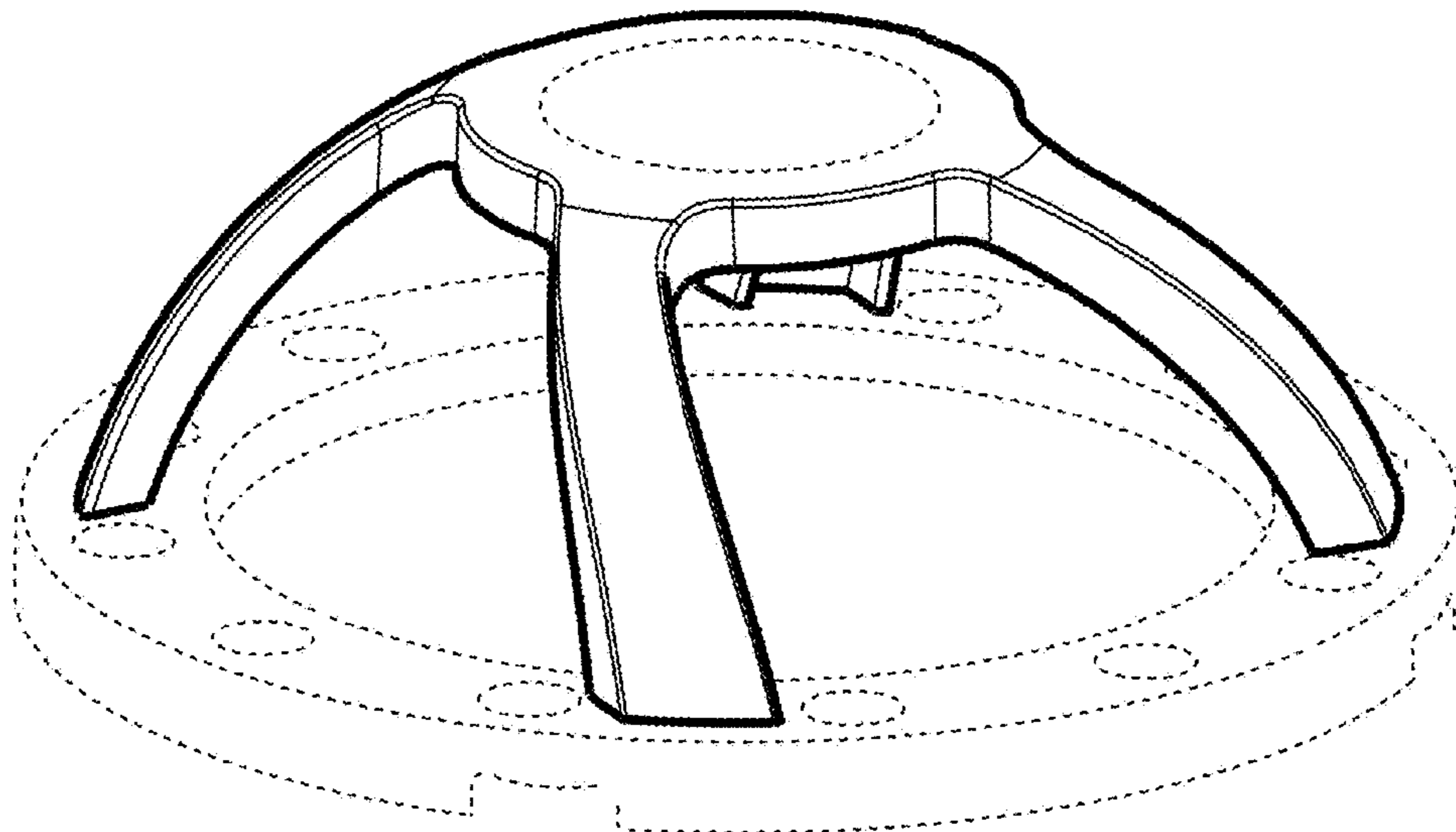
The ornamental design for handle arms for game, as shown and described.

DESCRIPTION

FIG. 1 is a perspective view of handle arms for game showing the new design;
FIG. 2 is a side view thereof; and,
FIG. 3 is a top view thereof.
The broken lines shown in the figures depict portions of the handle arms for game that form no part of the claimed design.

(56) **References Cited**
U.S. PATENT DOCUMENTS
1,008,659 A * 11/1911 Mendel A63F 7/044
273/115
1,274,979 A * 8/1918 Bliley A63F 7/3622
273/120 R

1 Claim, 3 Drawing Sheets



(56)

References Cited

U.S. PATENT DOCUMENTS

3,638,350	A *	2/1972	Wiggen	A63F 7/386 446/236
D225,941	S *	1/1973	Duern	D6/692
D238,891	S *	2/1976	Smith	D21/564
D289,542	S *	4/1987	Byrne	D23/221
D290,143	S *	6/1987	Wichman	D21/564
D296,170	S *	6/1988	Berry, Jr.	D6/692
D305,043	S	12/1989	Klitsner	
D305,345	S *	1/1990	Klitsner	D21/565
4,932,917	A	6/1990	Klitsner	
D325,140	S *	4/1992	Sottsass	D6/692.5
5,549,295	A	8/1996	Goldring	
D552,893	S *	10/2007	Everson	D6/692.6
D679,923	S *	4/2013	Corcorran	A47C 7/68 D6/708
D720,143	S *	12/2014	Barber	D6/349
D739,167	S *	9/2015	Barber	D6/692
D785,385	S *	5/2017	Traeger	D6/692
D790,264	S *	6/2017	Almaghlouth	D6/692
D801,738	S *	11/2017	AlMaghlouth	D6/692
D821,789	S *	7/2018	Traeger	D6/692.3
D946,664	S *	3/2022	Amels	D21/456

FOREIGN PATENT DOCUMENTS

KR	20050006591	1/2005
WO	2006113741	10/2006
WO	2009036302	3/2009

OTHER PUBLICATIONS

Marble Run, with spiral catcher, available on mindware.orientaltrading.com, oldest customer review Jan. 9, 2013, [site visited Jun. 28, 2022], URL: <https://www.mindware.orientaltrading.com/marble-run-103-piece-set-with-free-spiral-catcher-a2-13941415.fltr> (Year: 2013).*

PAL Award Winners, Q-BA-Maze 2.0, available on playonwords.com, published Nov. 16, 2021, [site visited Jun. 28, 2022], URL: <https://playonwords.com/award/q-ba-maze-2-0-super-race-set-by-mindware/> (Year: 2021).*

Magnet Tiles Marble Run, available on amazon.com, oldest customer review Jul. 20, 2021, [site visited Jun. 28, 2022], URL: <https://www.amazon.com/Magnetic-Building-Pieces-Learning-Educational/product-reviews/B08YNP6QXC/> (Year: 2021).*

MindWare Q-BA-Maze Marble Run Building Set, available on amazon.com, oldest customer review Jun. 2, 2017, [site visited Jun. 28, 2022], URL: <https://www.amazon.com/MindWare-Q-BA-Maze-Stunt-Colossal-Piece/dp/B07HQW7M47> (Year: 2017).*

Marbly Run, available on sereneparents.com, oldest customer review Mar. 7, 2018, [site visited Jun. 28, 2022], URL: <https://www.sereneparents.com/products/marbly-run-marble-run-track> (Year: 2018).*

Marble-palooza Deluxe, available on mytoys.com, oldest customer review Aug. 2021, [site visited Jun. 28, 2022], URL: <https://mytoys.com/shop/marble-palooza-deluxe-62-pieces/> (Year: 2021).*

Clear-View Marble Run, available on lakeshore.com, oldest customer review Jun. 20, 2018, [site visited Jun. 28, 2022], URL: <https://www.lakeshorelearning.com/products/ca/p/PP238/> (Year: 2018).*

Marble Run Racing Booster Set by Marble Genius Amazon product listing. Accessed on the Internet Mar. 30, 2022 URL: https://www.amazon.com/Marble-Genius-Run-Racing-Booster/dp/B08CVVLC9V/ref=asc_df_B08CVVLC9V/?th=1 (9 pages).

Marbleworks Grand Prix Racing Marble Run Discover Toys product listing. Accessed on the Internet Mar. 30, 2022 URL: <https://www.discoverytoys.us/products/marbleworks-r-grand-prix> (6 pages).

Jelle's Marble Runs YouTube Channel. Accessed on the Internet Mar. 30, 2022 URL: <https://www.youtube.com/channel/UCYJdpnjuSWVOLgGT9flzL0g> (5 pages).

Discovery Toys Marbleworks Marble Run Starter Amazon product listing. Accessed on the Internet Mar. 30, 2022 URL: https://www.amazon.com/MARBLEWORKS-Marble-Starter-Discovery-Toys/dp/B003SAM6BU/ref=sr_1_1_sspa? (11 pages).

Marble Race: Marble League 2019 Qualifiers YouTube video posted Jan. 26, 2019 by Jelle's Marble Runs. Accessed on the Internet Mar. 30, 2022 URL: <https://www.youtube.com/watch?v=O2AbcCbyJ2U> (4 pages).

Fubeca's Marble Runs YouTube Channel. Accessed on the Internet Mar. 30, 2022 URL: <https://www.youtube.com/c/FubecasMarbleRuns> (3 pages).

M&H Racing YouTube Channel. Accessed on the Internet Mar. 30, 2022 URL: <https://www.youtube.com/c/EvaristeWK> (3 pages).

PlayGo Marble Race Deluxe Building 100-Piece Amazon product listing. Accessed on the Internet Mar. 30, 2022 URL: <https://www.amazon.com/PlayGo-Marble-Deluxe-Building-100-Piece/dp/B001HZBRO0> (9 pages).

Zoom Rails Wooden Marble Track Oriental Trading product listing. Accessed on the Internet Mar. 30, 2022 URL: <https://www.mindware.orientaltrading.com/zoom-rails-wooden-marble-track-a2-68490.fltr> (4 pages).

95 Pcs Marble Run Building Blocks Bricks Set for Kid Amazon product listing. Accessed on the Internet Mar. 30, 2022 URL: https://www.amazon.com/dp/B09GVBG8YS/ref=sbl_dp_x_toys-building-marble-sets_B099MQN2MG_0 (7 pages).

Quercetti Migoga Race Marble Run Toy Amazon product listing. Accessed on the Internet Mar. 30, 2022 URL: <https://www.amazon.com/Marble-Run-Glow-Glitter-Pieces/dp/B00207T5MA> (7 pages).

Ocean Marble Run Unboxing YouTube video posted Jul. 31, 2020 by Specialties Games, Toys, Gifts. Accessed on the Internet Mar. 30, 2022 URL: <https://www.youtube.com/watch?v=3YQH8yQbAg8&t=126s> (4 pages).

Marble Run Toy by Quercetti Migoga Race \ Nico and Matthew play the Migoga Race Marble Run YouTube video posted Oct. 2, 2021 by Pineda Tv. Accessed on the Internet Mar. 30, 2022 URL: <https://www.youtube.com/watch?v=0xr0gJkHjT0> (4 pages).

Reference images compiled by inventor Shane Rogers during product development and last modified Jun. 17, 2020 (21 pages).

International Search Report and Written Opinion for PCT Application No. PCT/US2021/065415, dated Apr. 21, 2022 (21 pages).

* cited by examiner

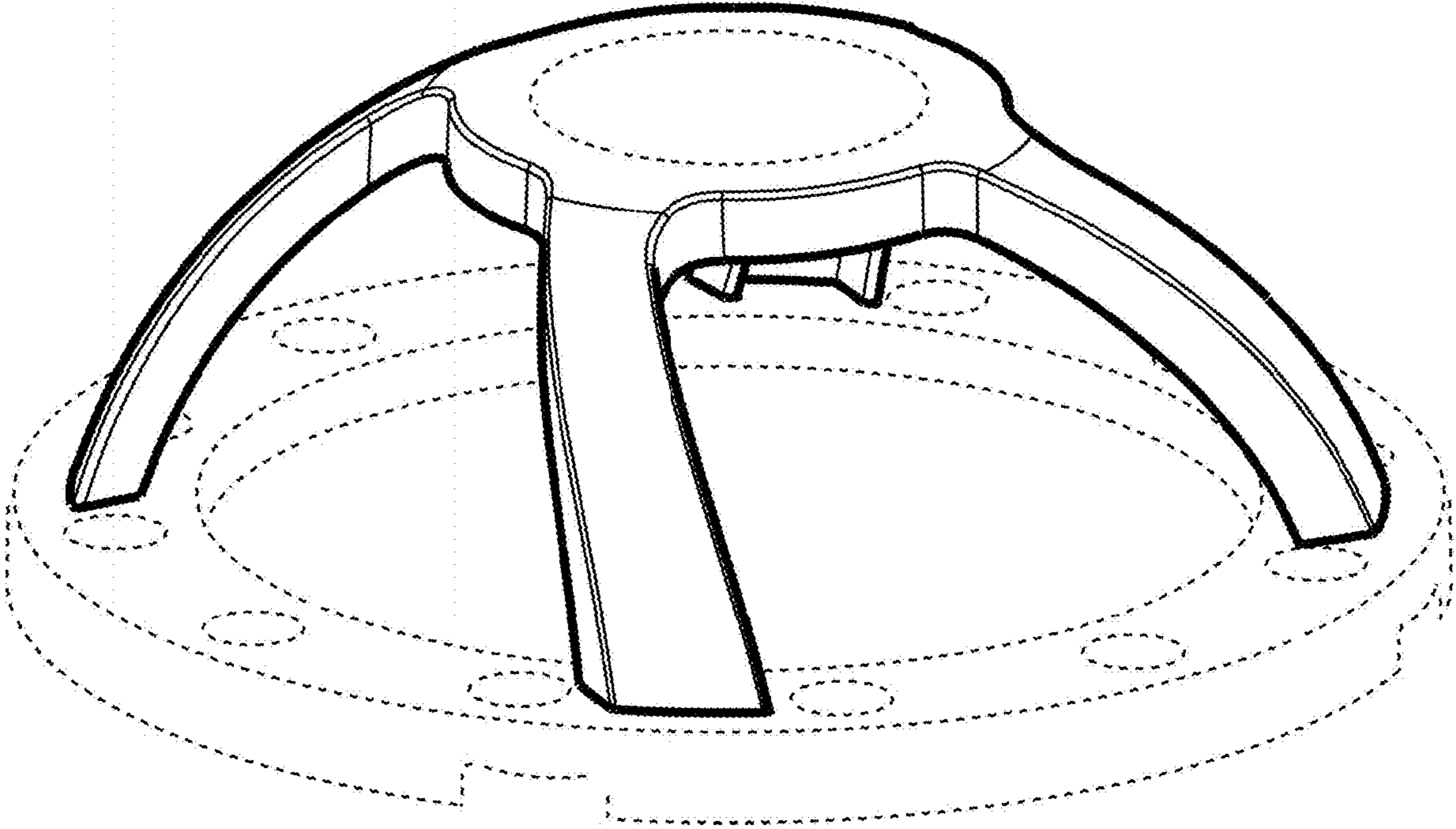


Figure 1

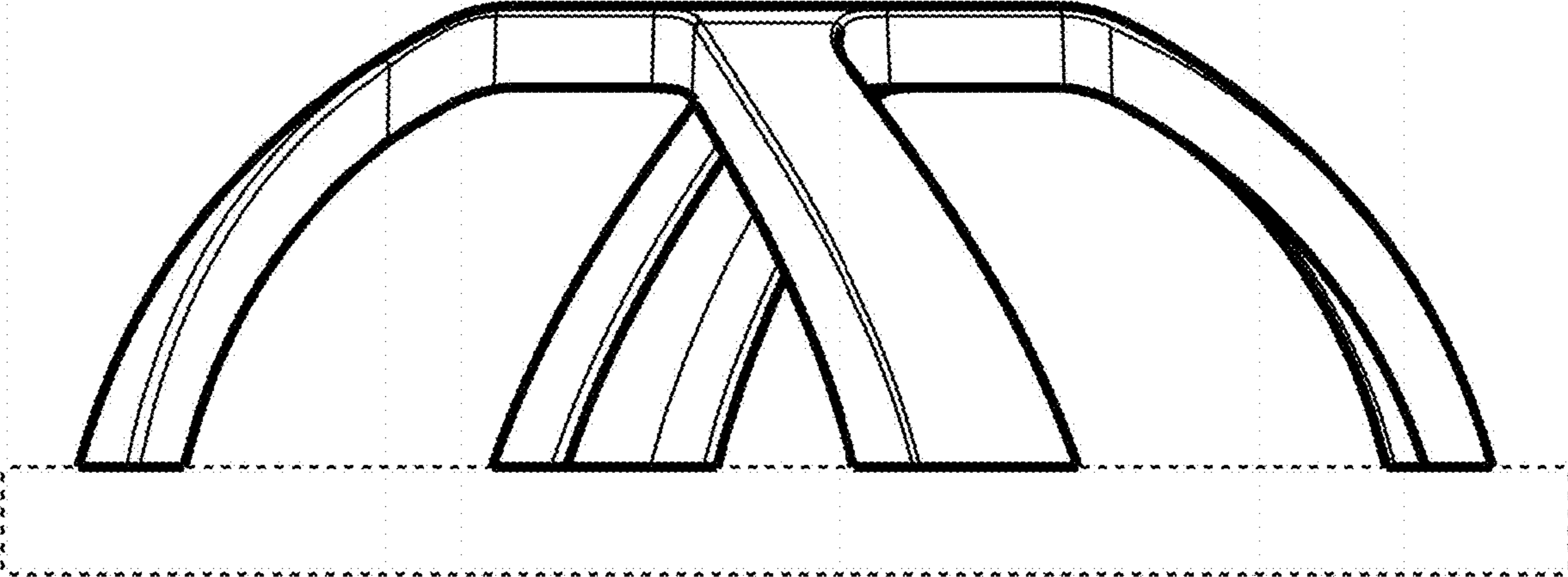


Figure 2

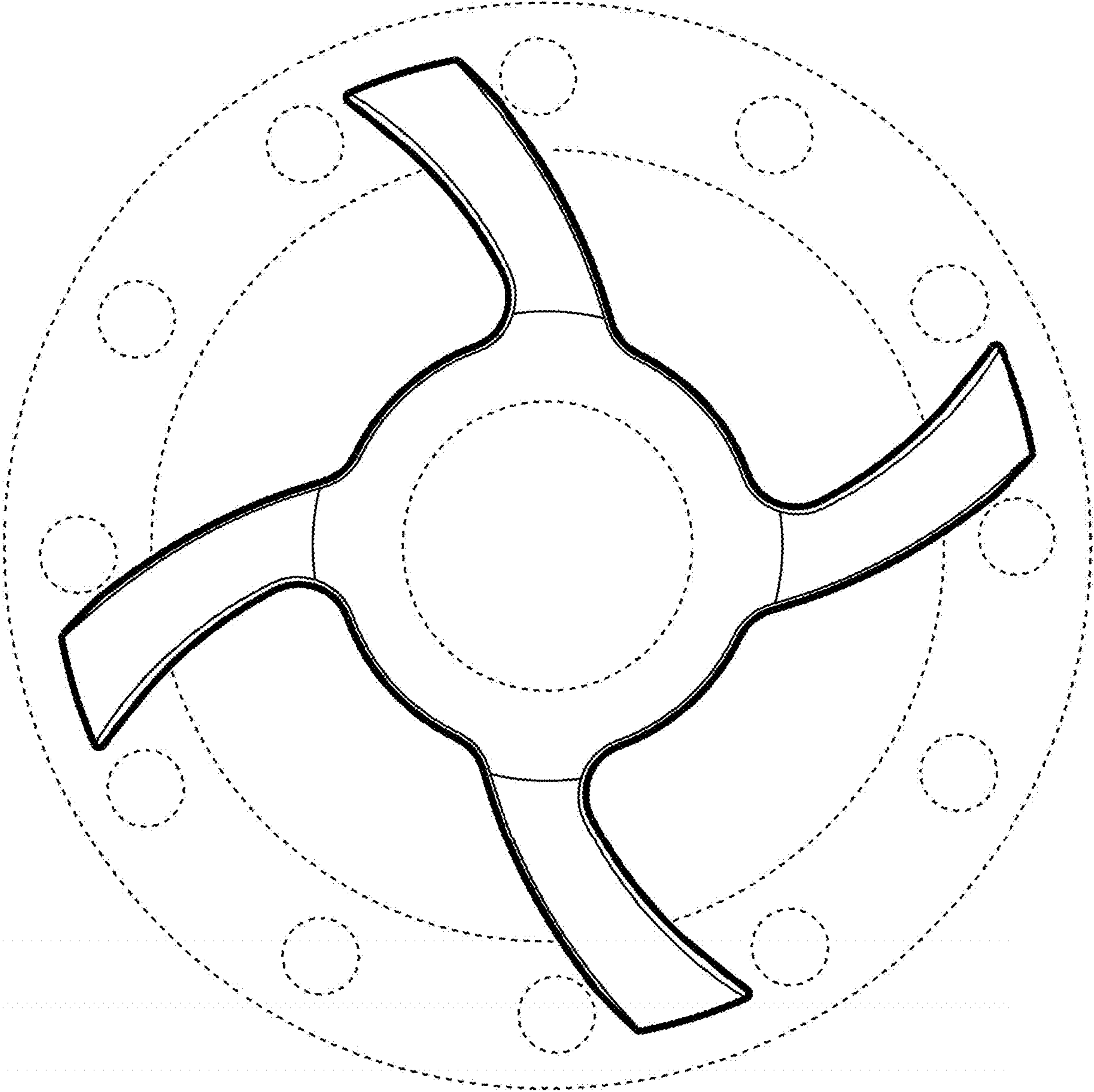


Figure 3