



US00D980335S

(12) **United States Design Patent** (10) **Patent No.:** **US D980,335 S**
Wu (45) **Date of Patent:** **** Mar. 7, 2023**

(54) **FIDGET SPINNER BRACELET**

(71) Applicant: **Junyi Wu**, Zhejiang (CN)

(72) Inventor: **Junyi Wu**, Zhejiang (CN)

(**) Term: **15 Years**

(21) Appl. No.: **29/807,781**

(22) Filed: **Sep. 14, 2021**

(51) **LOC (14) Cl.** **21-01**

(52) **U.S. Cl.**
USPC **D21/455**

(58) **Field of Classification Search**
USPC D21/531, 455, 398, 460, 461, 486, 478
CPC A63H 1/00; A63H 33/002; A63H 33/00;
A63H 29/00; A63H 1/06; A63H 29/08
See application file for complete search history.

(56) **References Cited**

U.S. PATENT DOCUMENTS

D275,586 S	9/1984	Matsuda	
D326,124 S	5/1992	Thomson et al.	
D604,779 S *	11/2009	Chan	A44C 9/00
			D21/531
D640,383 S *	6/2011	Roehrig	D24/194
D687,954 S *	8/2013	Dallman	D24/194
D801,440 S *	10/2017	Pavelsky	D21/455
9,914,063 B1 *	3/2018	McCoskery	A63F 9/16
D834,100 S *	11/2018	Chevrie	D21/455
D834,653 S *	11/2018	Shi	D21/455
D846,033 S *	4/2019	Oas	D21/455
D853,235 S *	7/2019	Yao	D7/392.1
D853,238 S *	7/2019	Yao	D9/446

D861,078 S *	9/2019	Lin	D21/455
D872,807 S *	1/2020	Lowsky	D21/455
2018/0344003 A1 *	12/2018	Fogelson	A45D 33/00
2018/0352829 A1 *	12/2018	Diamond	A44C 9/00
2018/0369703 A1 *	12/2018	Sorias	A63H 1/00
2019/0083892 A1 *	3/2019	Howard	A63H 33/00
2020/0171399 A1 *	6/2020	Bonacum	A63H 1/00

OTHER PUBLICATIONS

Goheyi Fidget Spinner Bracelet, published for sale on Amazon.com.*

Monake Fidget Spinner Bracelet, published for sale on Amazon.com.*

* cited by examiner

Primary Examiner — Philip S Hyder
(74) *Attorney, Agent, or Firm* — ScienBiziP, P.C.

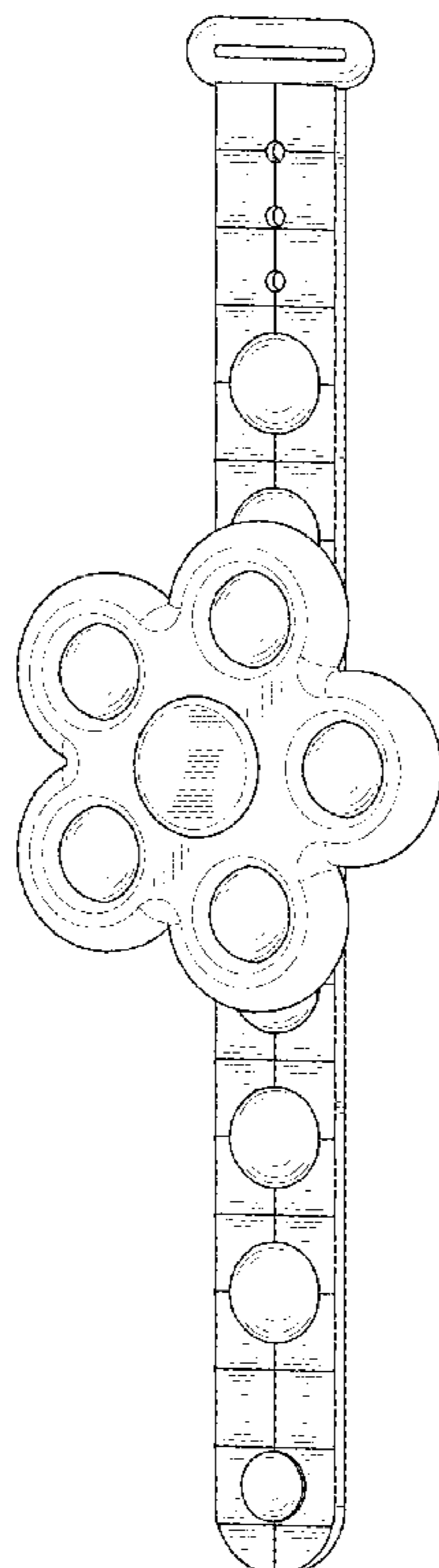
(57) **CLAIM**

The ornamental design for a fidget spinner bracelet, as shown and described.

DESCRIPTION

FIG. 1 is a front, right, and top perspective view of a fidget spinner bracelet, showing my design.
FIG. 2 is a rear, left, and bottom perspective view thereof.
FIG. 3 is a front elevation view thereof.
FIG. 4 is a rear elevation view thereof.
FIG. 5 is a left side elevation view thereof.
FIG. 6 is a right side elevation view thereof.
FIG. 7 is a top plan view thereof; and,
FIG. 8 is a bottom plan view thereof.

1 Claim, 8 Drawing Sheets



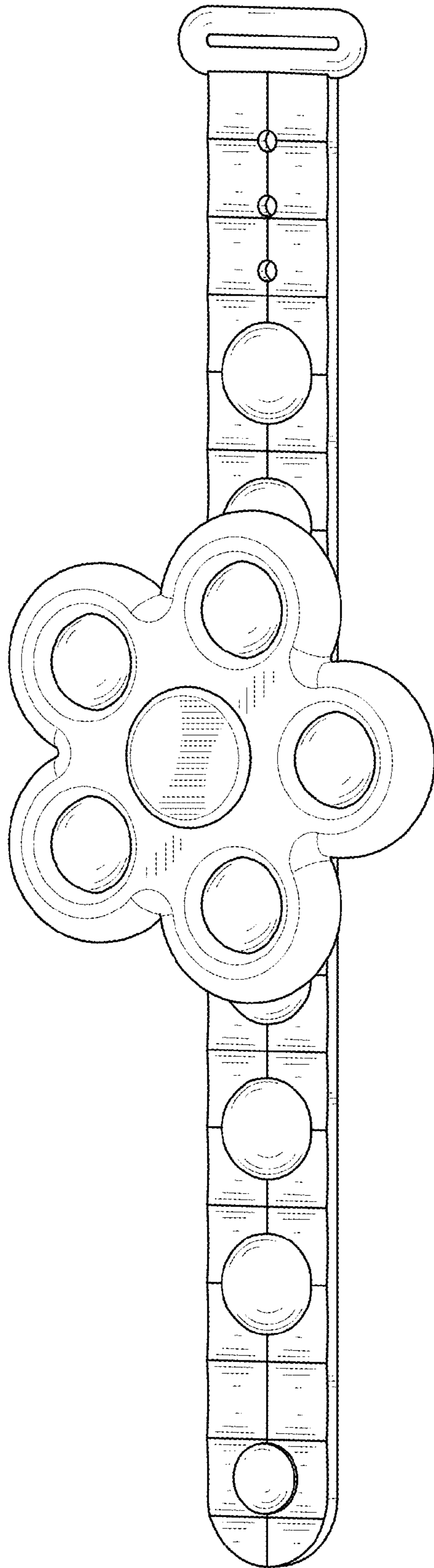


FIG. 1

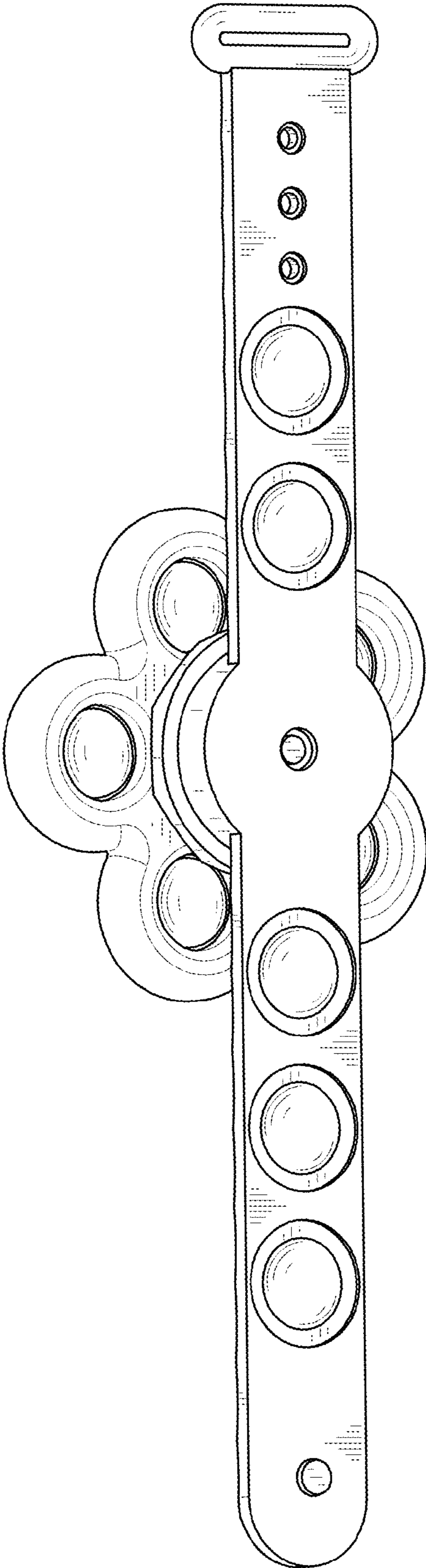


FIG. 2

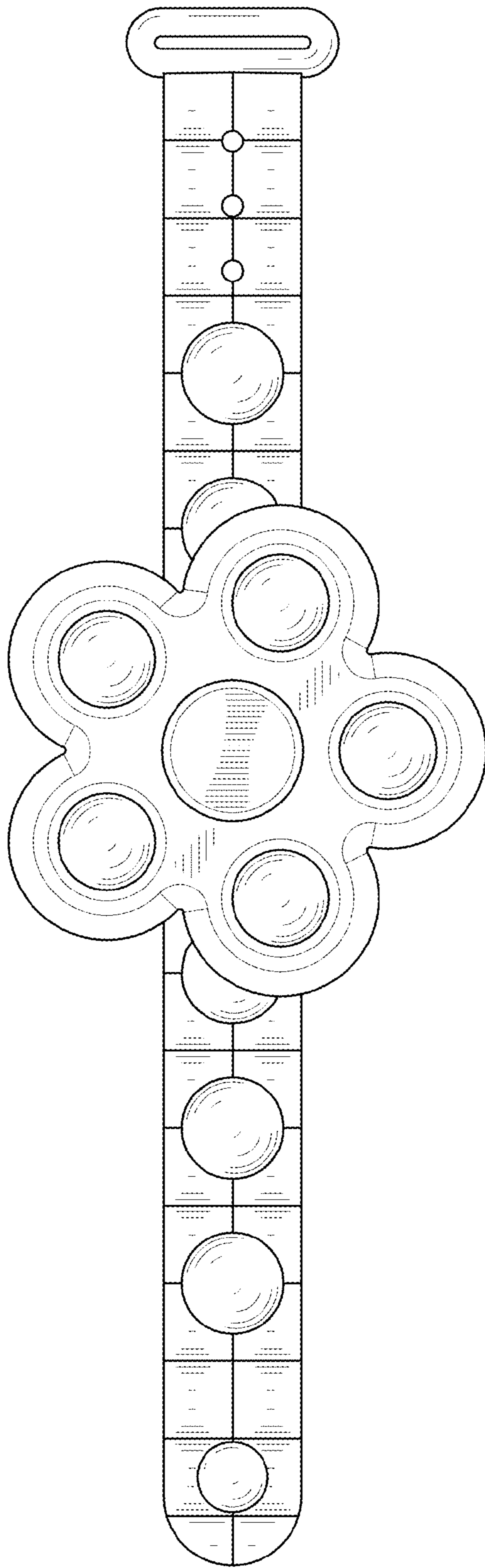


FIG. 3

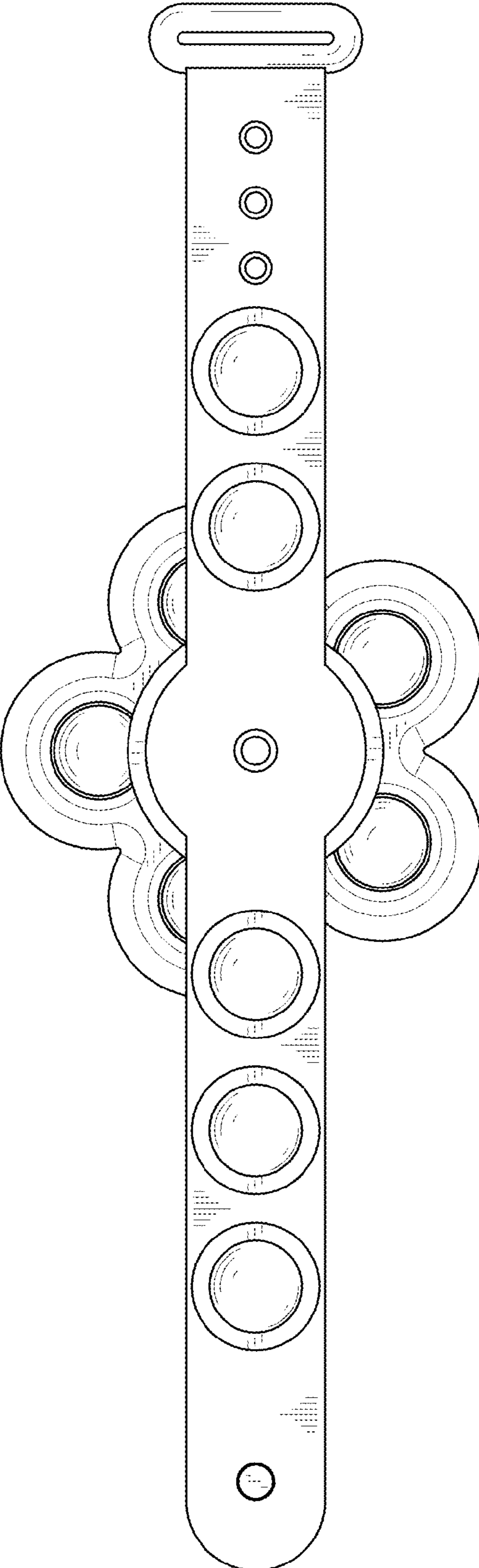


FIG. 4

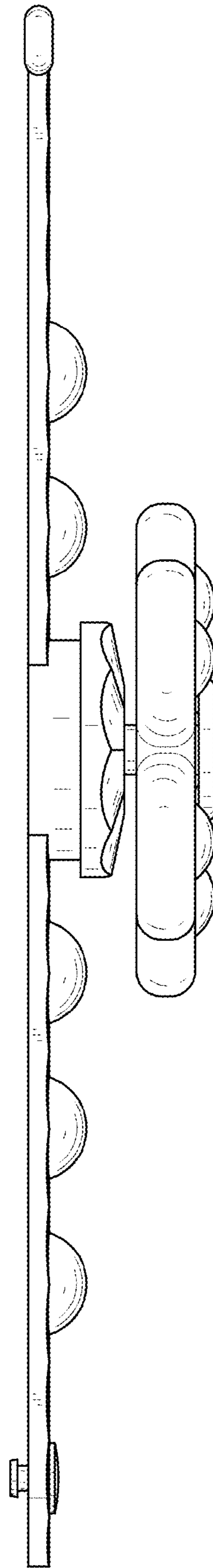


FIG. 5

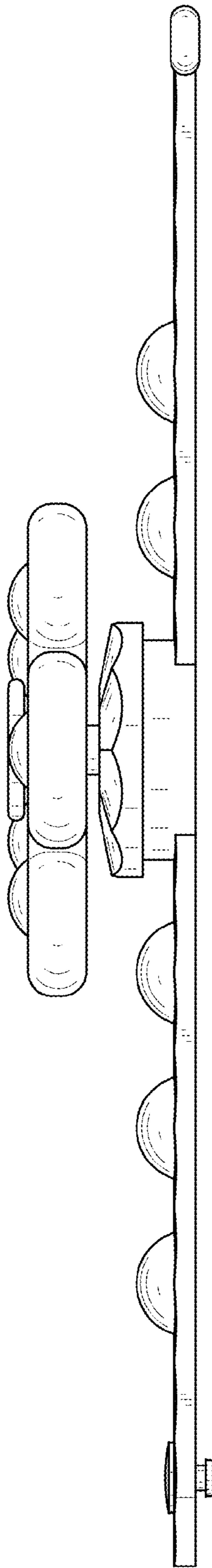


FIG. 6

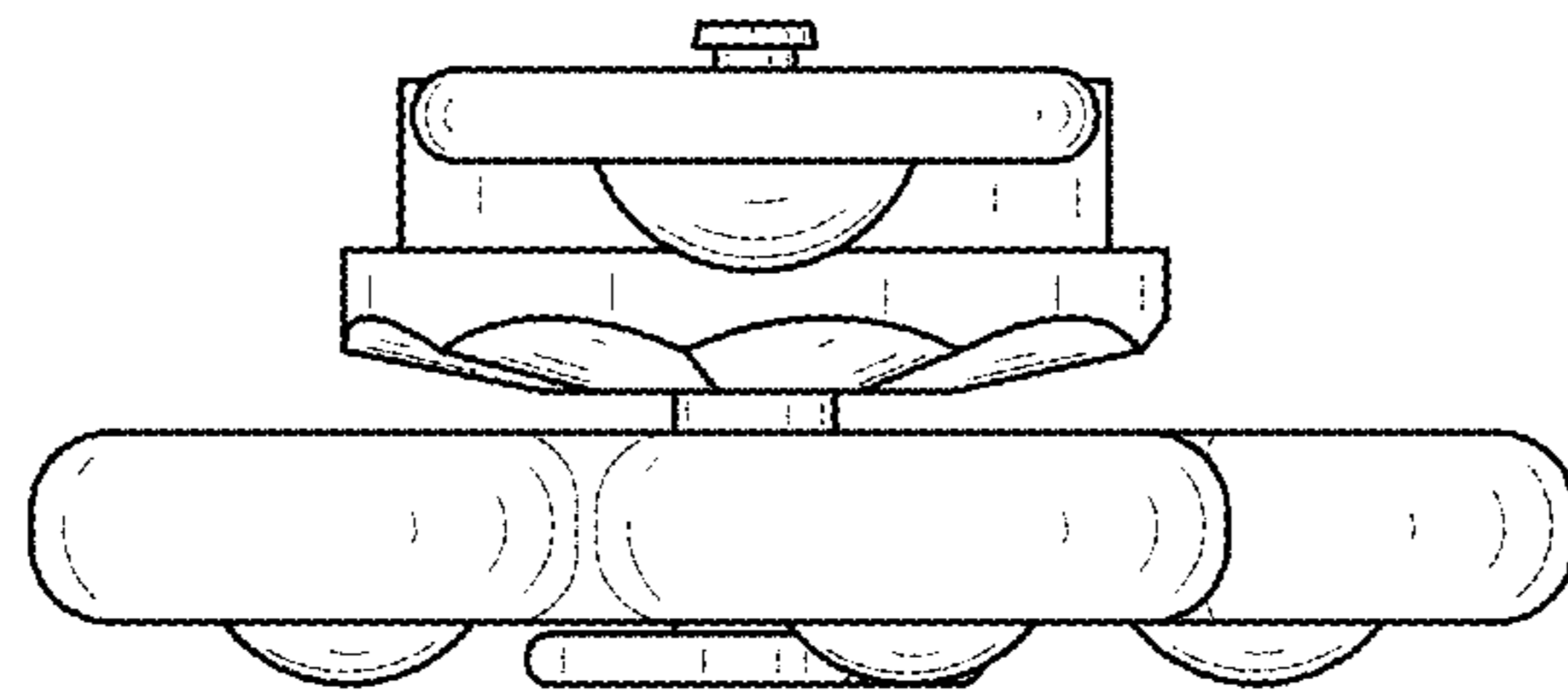


FIG. 7

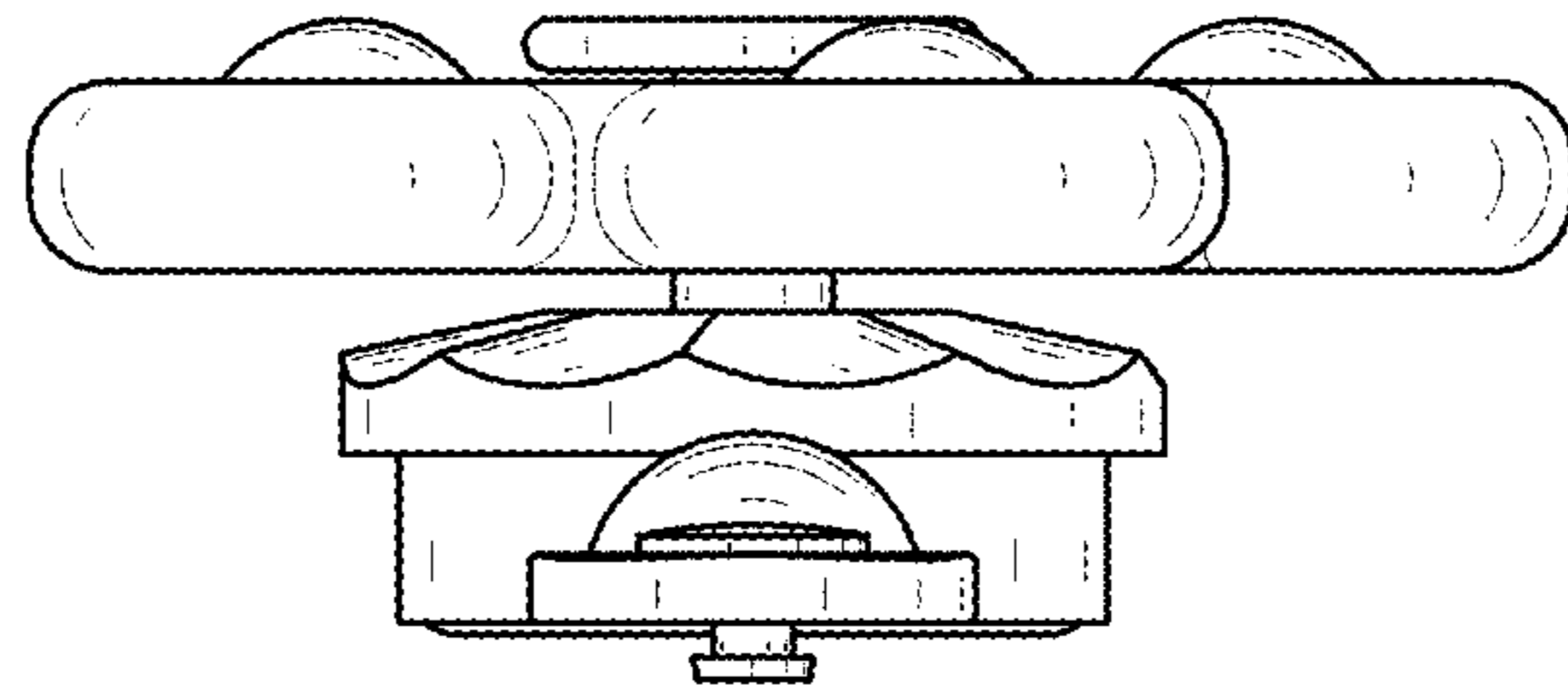


FIG. 8