



US00D980333S

(12) **United States Design Patent**
Huang

(10) **Patent No.:** **US D980,333 S**

(45) **Date of Patent:** **** Mar. 7, 2023**

- (54) **TOY HELICOPTER**
- (71) Applicant: **Miaoyu Huang**, Guangzhou (CN)
- (72) Inventor: **Miaoyu Huang**, Guangzhou (CN)
- (73) Assignee: **Miaoyu Huang**, Guangzhou (CN)

D948,378 S *	4/2022	Escarpenter	D12/326
D971,341 S *	11/2022	Smitasin	D21/436
D972,454 S *	12/2022	Wang	D21/441
D972,973 S *	12/2022	Xu	D21/441
D973,784 S *	12/2022	Xiao	D21/436
D974,991 S *	1/2023	Cummings	D21/454
2021/0362849 A1 *	11/2021	Bower	B64C 27/26
2022/0402606 A1 *	12/2022	Kovács	A63H 30/04

(**) Term: **15 Years**

OTHER PUBLICATIONS

- (21) Appl. No.: **29/850,872**
- (22) Filed: **Aug. 24, 2022**
- (51) **LOC (14) Cl.** **21-01**
- (52) **U.S. Cl.**
USPC **D21/442**
- (58) **Field of Classification Search**
USPC D21/430, 436, 441-442, 447-448,
D21/451-452, 582, 583; D12/326-328
CPC B64C 23/00; B64C 27/00; B64C 27/04;
B64C 27/06; B64C 27/32; B64C 29/00;
A63H 27/02; A63H 27/12
See application file for complete search history.

Tysrjstv C127 Remote Control Helicopter, May 31, 2022, amazon.ca, Nov. 8, 2022, URL: <https://www.amazon.ca/Control-Helicopter-Channels-Aircraft-Aileronless/dp/B0B2R8GL84/> (Year: 2022).*

Justice League Action Batman and Batcopter Vehicle, Jun. 1, 2017, amazon.ca, Nov. 8, 2022, URL: <https://www.amazon.ca/Justice-League-Action-Batcopter-Vehicle/dp/B01MQRQ1UN/> (Year: 2017).*

* cited by examiner

Primary Examiner — Keith J Wilson
(74) *Attorney, Agent, or Firm* — Nitin Kaushik

(56) **References Cited**

U.S. PATENT DOCUMENTS

D242,338 S *	11/1976	Gilday	D12/327
D278,227 S *	4/1985	Johnston, Jr.	D12/327
D332,078 S *	12/1992	Shallene	D12/327
5,209,430 A *	5/1993	Wilson	B64C 23/00 244/17.11
D359,553 S *	6/1995	Hsi	D23/385
D372,741 S *	8/1996	Tsai	D21/442
D503,198 S *	3/2005	Rehkemper	D21/442
D623,704 S	9/2010	Yuen	
D730,803 S *	6/2015	Hoover	D21/442
D817,253 S *	5/2018	Jeong	D12/327
D896,730 S *	9/2020	Kooiman	D12/319
10,858,116 B2 *	12/2020	Hefner	B64C 27/26
D928,071 S *	8/2021	Löwenstein	D12/327

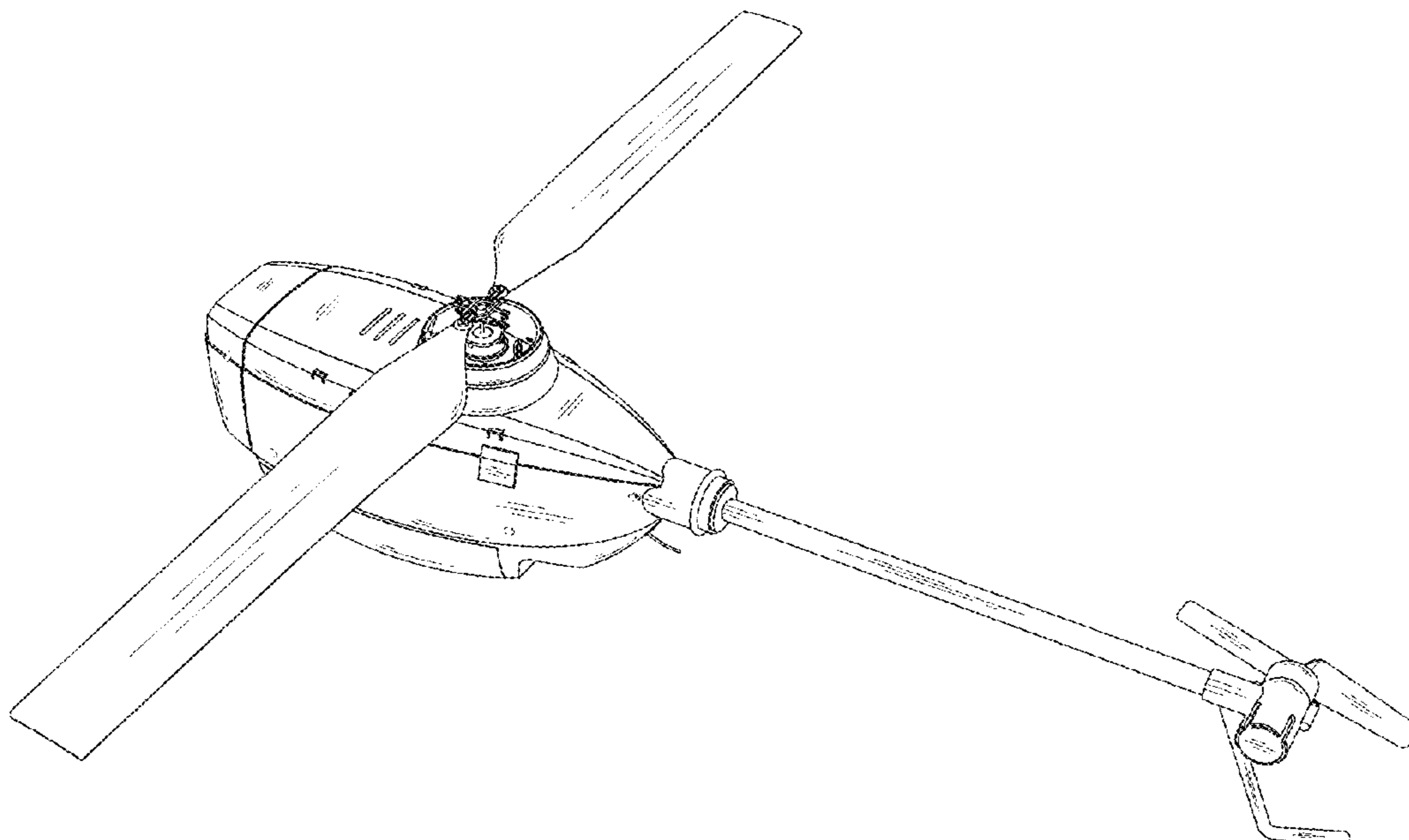
(57) **CLAIM**

The ornamental design for a toy helicopter, as shown and described.

DESCRIPTION

FIG. 1 is a front perspective view of a toy helicopter, showing my new design;
FIG. 2 is a front view thereof;
FIG. 3 is a rear view thereof;
FIG. 4 is a left side view thereof;
FIG. 5 is a right side view thereof;
FIG. 6 is a top view thereof; and,
FIG. 7 is a bottom view thereof.
The broken lines in the drawings illustrate the portions of the toy helicopter, which form no part of the claimed design.

1 Claim, 7 Drawing Sheets



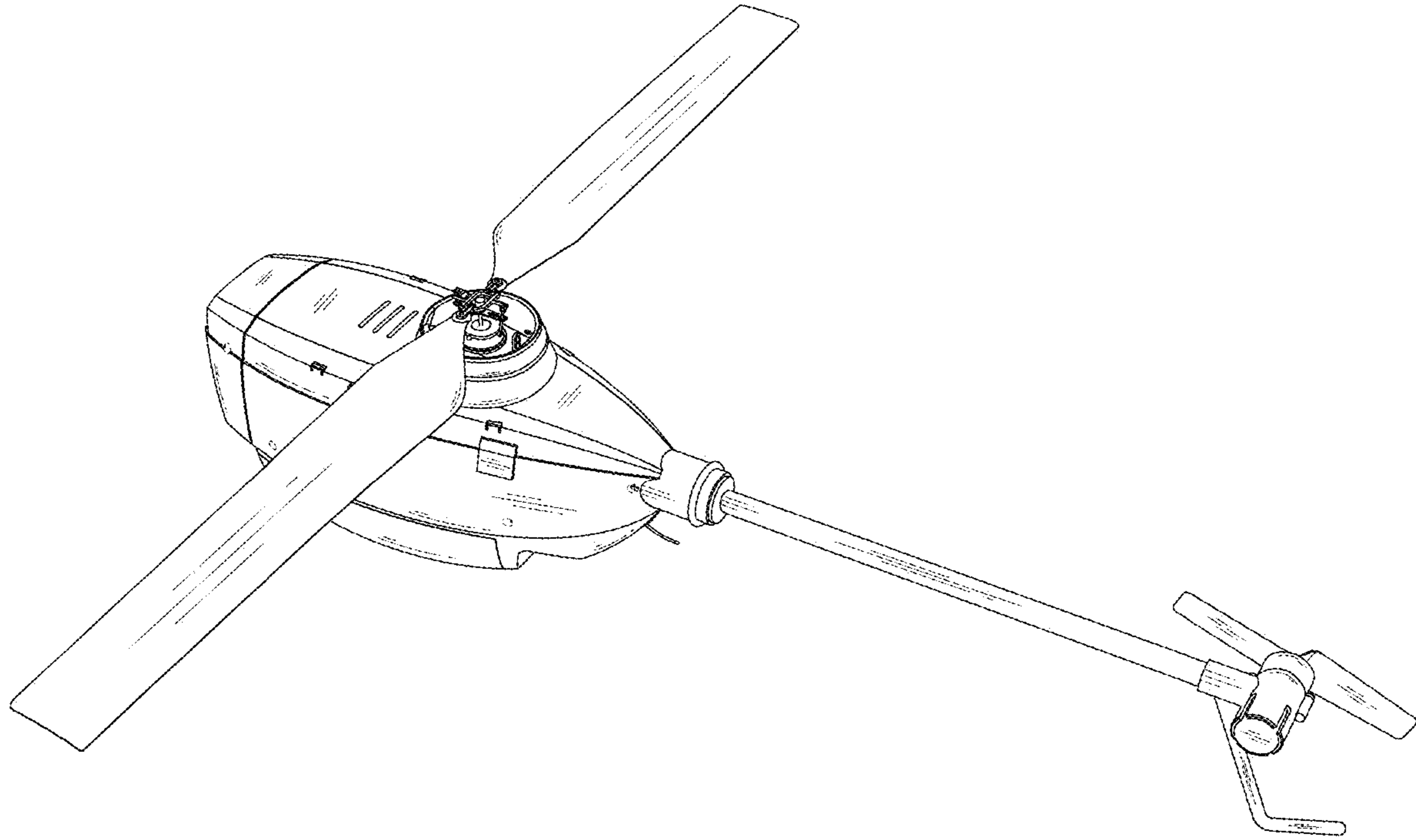


FIG. 1

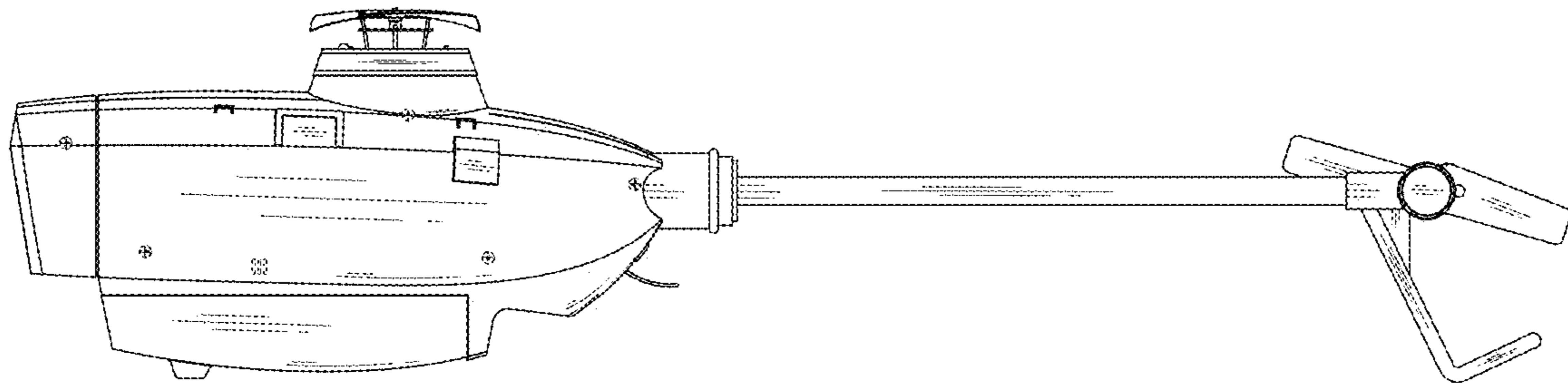


FIG. 2

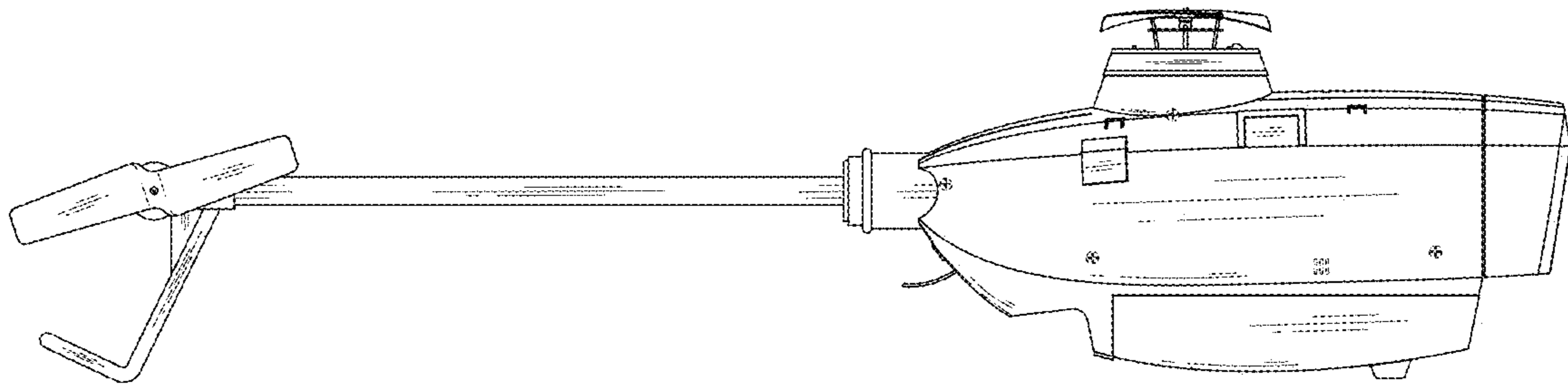


FIG. 3

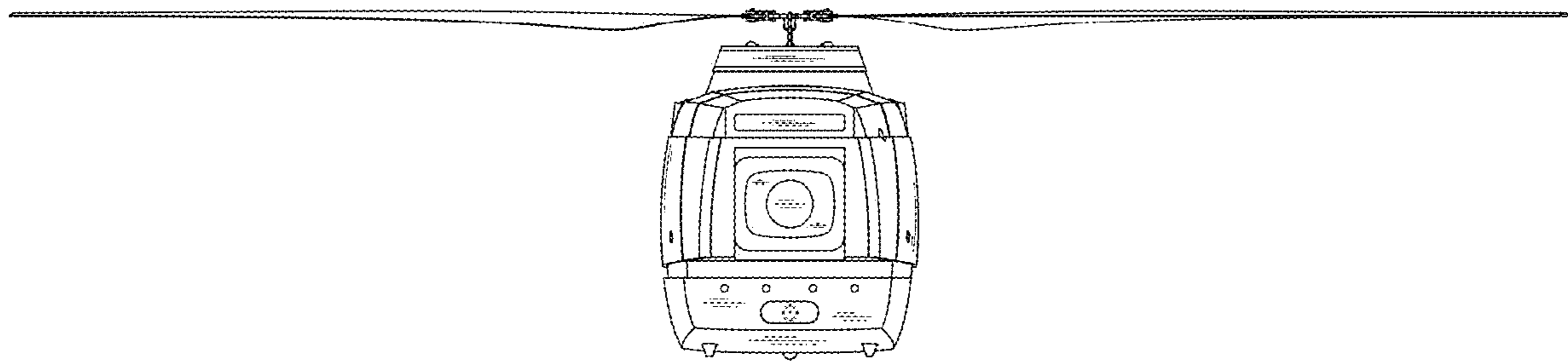


FIG. 4

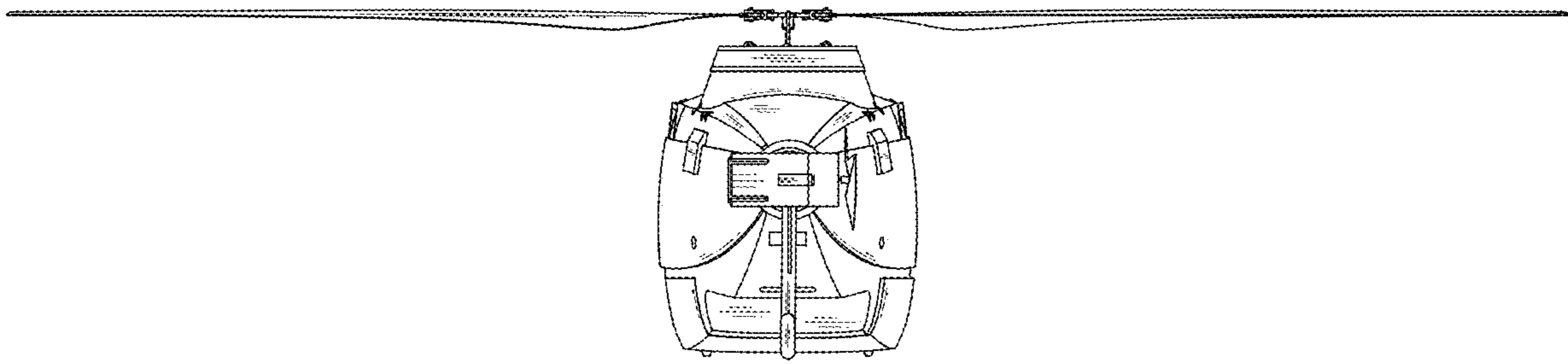


FIG. 5

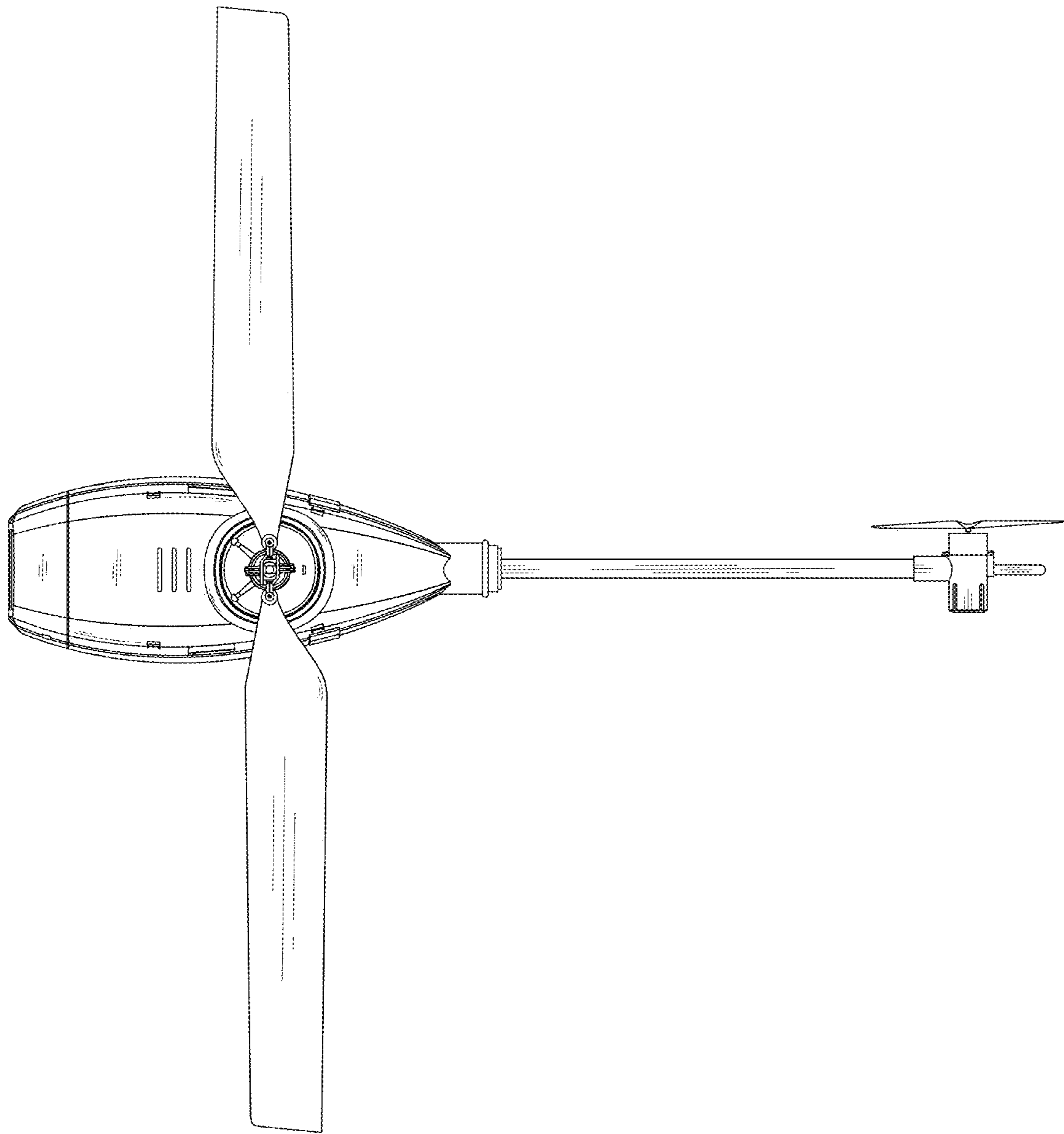


FIG. 6

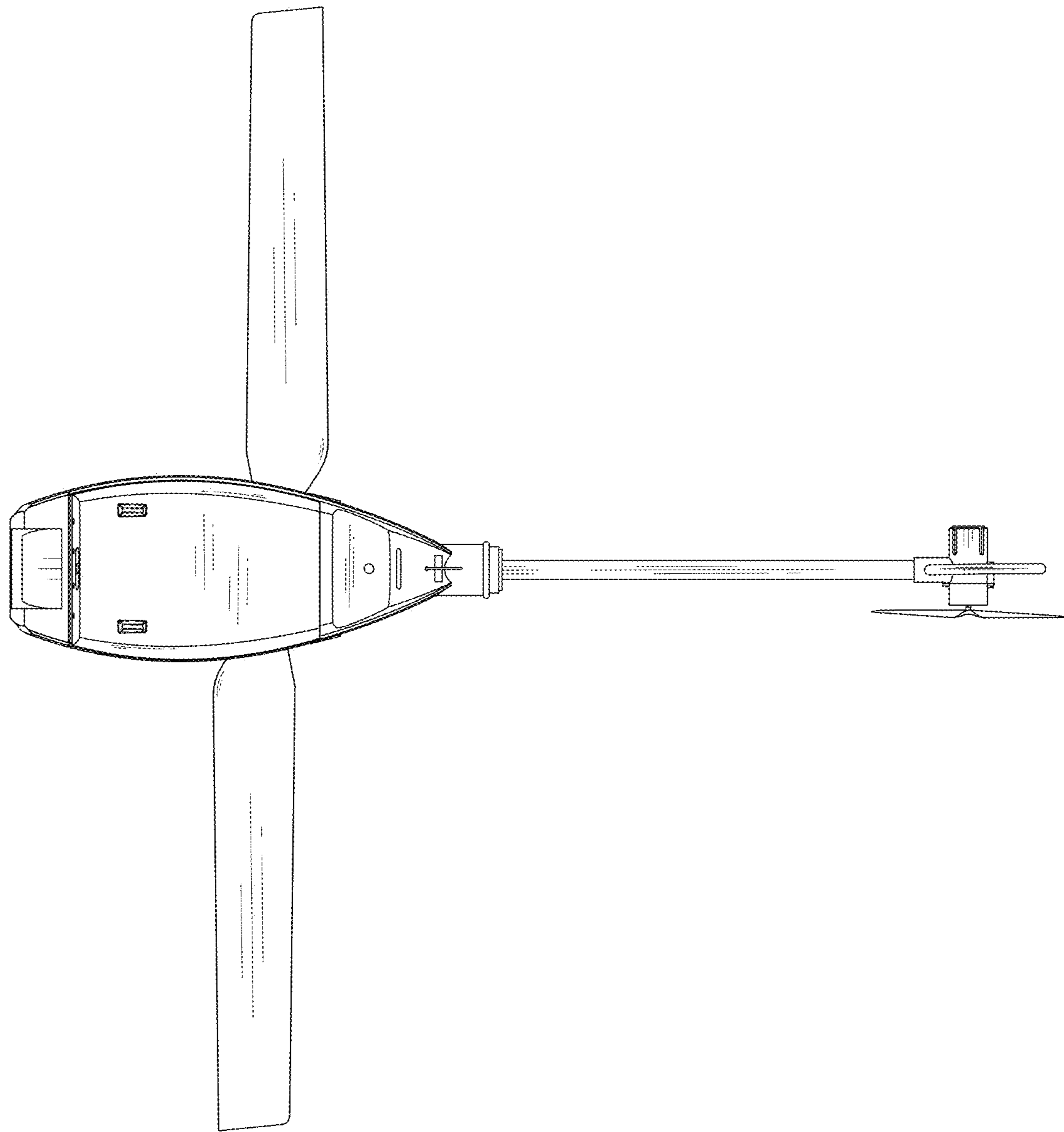


FIG. 7