



US00D980332S

(12) **United States Design Patent**  
**Cai**

(10) **Patent No.:** **US D980,332 S**  
(45) **Date of Patent:** **\*\* Mar. 7, 2023**

(54) **BUBBLE MACHINE**

(71) Applicant: **Jie Cai**, Shantou (CN)

(72) Inventor: **Jie Cai**, Shantou (CN)

(\*\*) Term: **15 Years**

(21) Appl. No.: **29/861,650**

(22) Filed: **Dec. 1, 2022**

(51) **LOC (14) Cl.** ..... **21-01**

(52) **U.S. Cl.**  
USPC ..... **D21/401**

(58) **Field of Classification Search**  
USPC ..... D21/401, 483, 532; 463/20, 31, 34;  
446/15, 16, 20, 21, 161, 211; 237/78 R;  
219/544; D15/14

CPC ..... A63H 33/28; A63H 33/26; G03B 27/32;  
G03B 27/10; F24F 8/80

See application file for complete search history.

(56) **References Cited**

**U.S. PATENT DOCUMENTS**

D620,029 S *	7/2010	Baetica	.....	D15/14
D636,444 S	4/2011	Lo		
D648,354 S *	11/2011	Hattori	.....	D15/17
D834,072 S *	11/2018	Näslund	.....	D15/14
D894,288 S	8/2020	Shapiro et al.		
D923,720 S *	6/2021	Chen	.....	D21/532
D963,051 S *	9/2022	Li	.....	D21/401
2006/0217028 A1 *	9/2006	Duncan	.....	A63H 7/02 446/280

**OTHER PUBLICATIONS**

(Upgraded 5000+ Bubbles Per Min) Bubble Lawn Mower, Lawn Mower Bubble Machine for Kids, shown in www.amazon.com. Web. Oct. 10, 2022, ASIN B0B51G2JTJ. (Year: 2022).\*  
Bellochiddo Lawn Mower Bubble Machine for Kids-Automatic Bubble Mower 5000+ Bubbles, Outdoor & Backyard Bubble Blower Toys for Kids, shown in www.amazon.com, Sep. 22, 2022, ASIN B0B185JGRK. (Year: 2022).\*

\* cited by examiner

*Primary Examiner* — Gino Colan

*Assistant Examiner* — Gregory G McLemore

(74) *Attorney, Agent, or Firm* — Georgi Korobanov

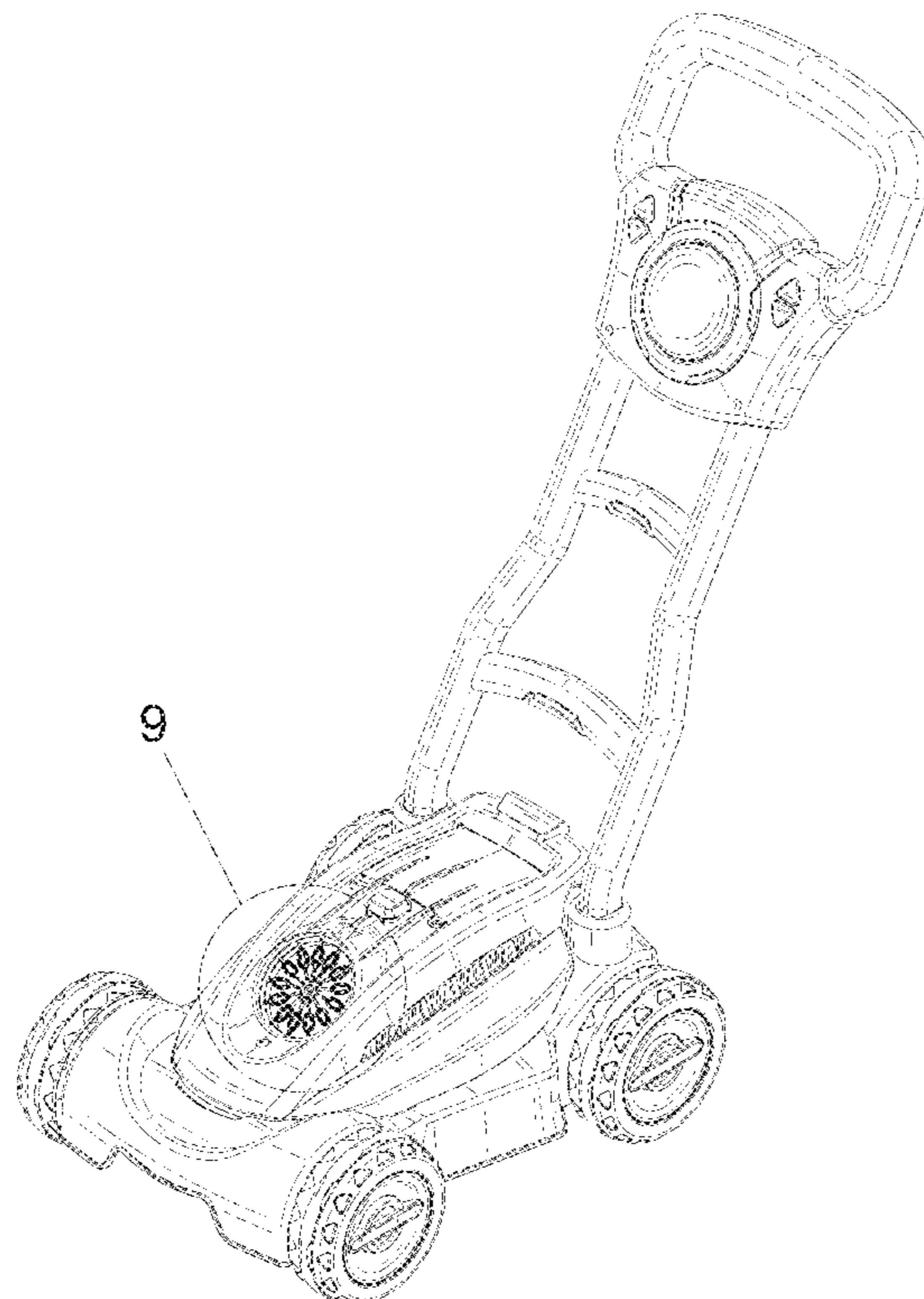
(57) **CLAIM**

The ornamental design for a bubble machine, as shown and described.

**DESCRIPTION**

FIG. 1 is a front, right and top perspective view of a bubble machine, showing my new design;  
FIG. 2 is a rear, left and bottom perspective view thereof;  
FIG. 3 is a front view thereof;  
FIG. 4 is a rear view thereof;  
FIG. 5 is a left side view thereof;  
FIG. 6 is a right side view thereof;  
FIG. 7 is a top plan view thereof;  
FIG. 8 is a bottom plan view thereof; and,  
FIG. 9 is an enlarged view of portion 9 shown in FIG. 1.  
The dot-dash broken lines depict the boundaries of the enlargements that form no part of the claimed design.

**1 Claim, 9 Drawing Sheets**



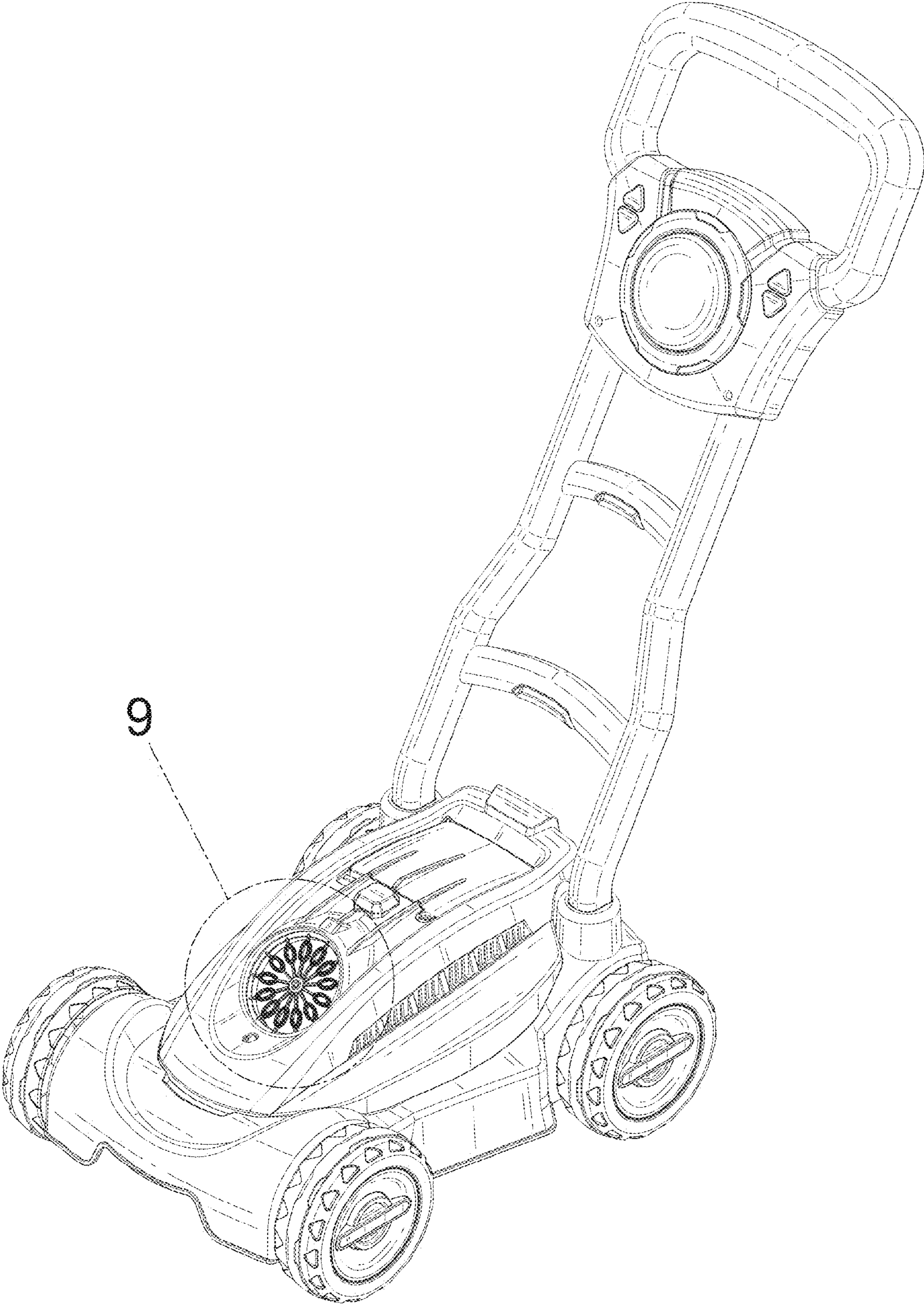


FIG. 1



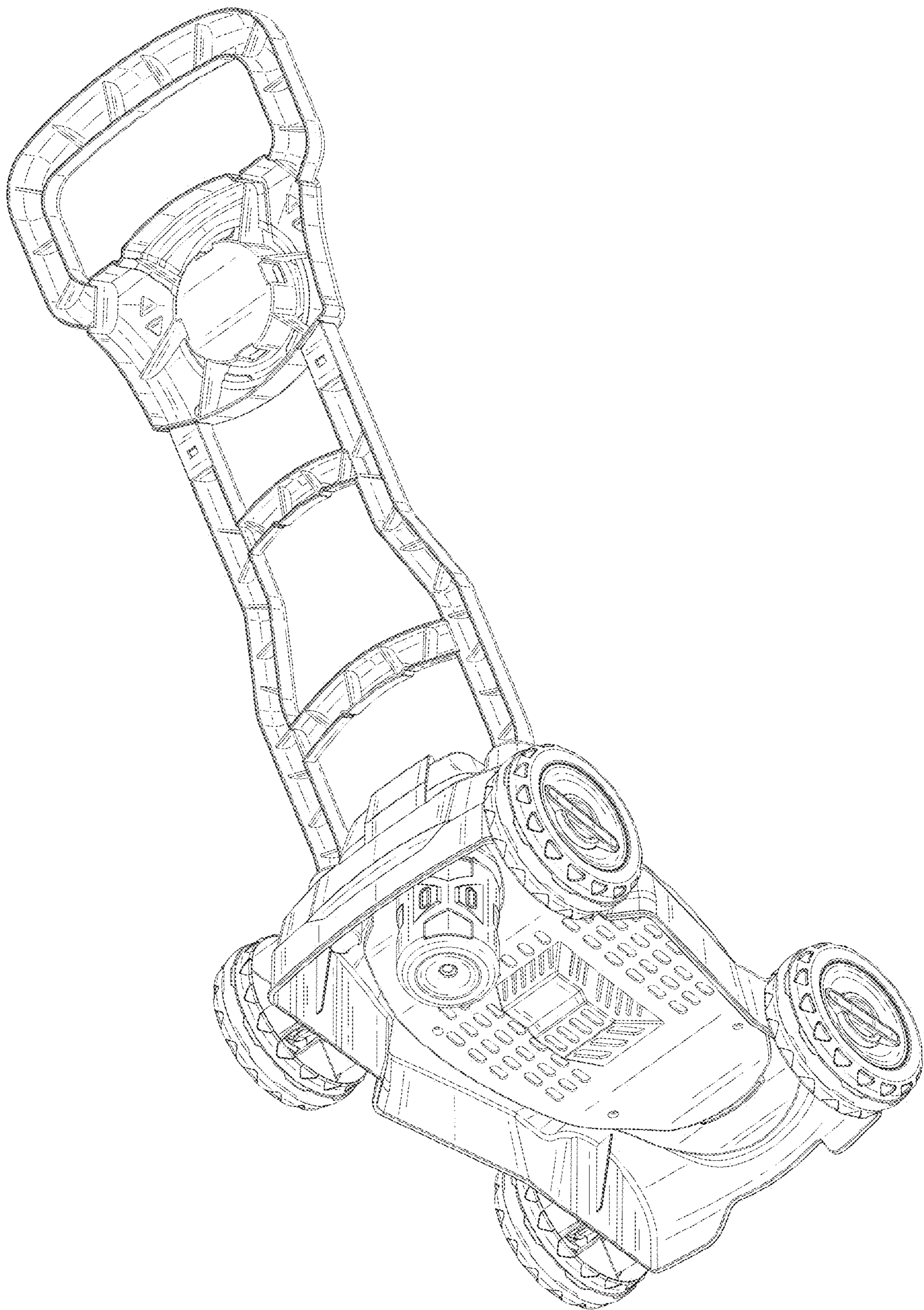


FIG. 2

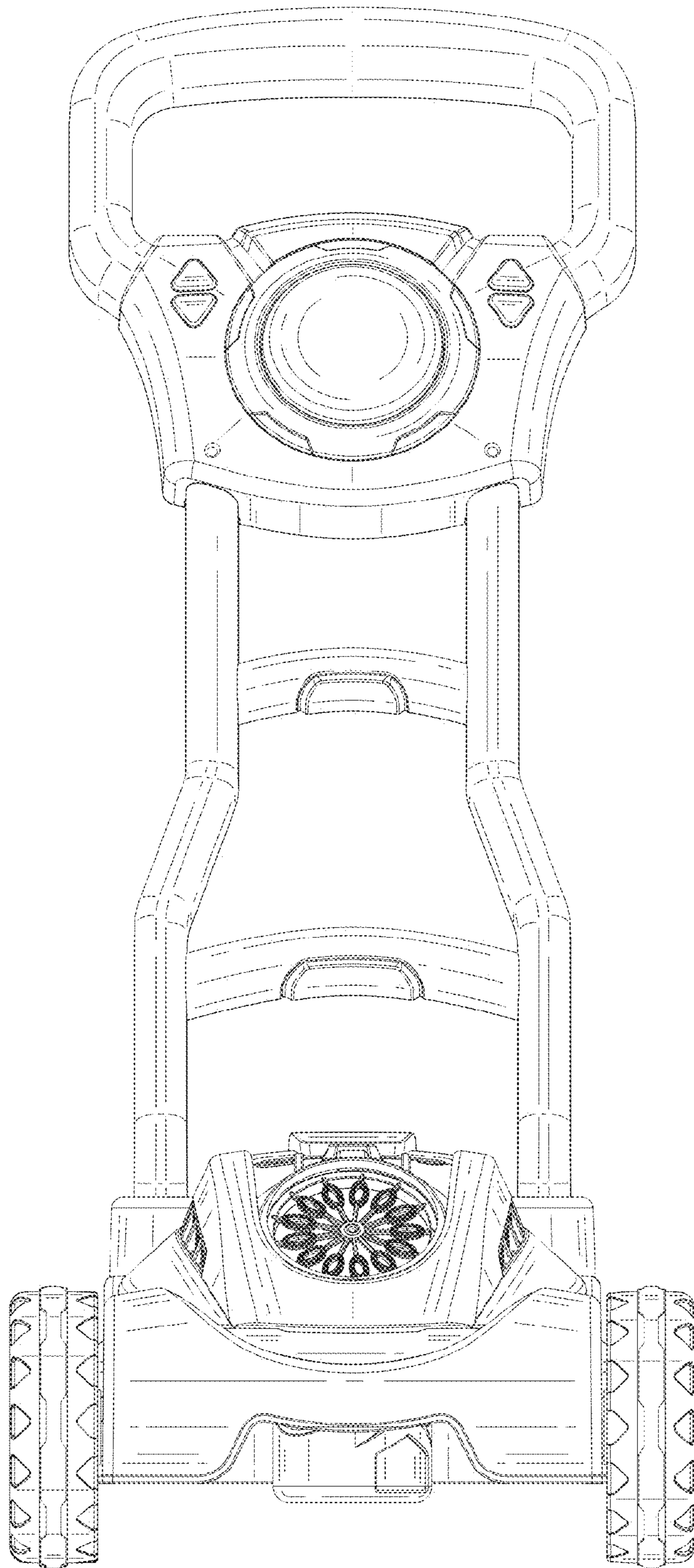


FIG. 3



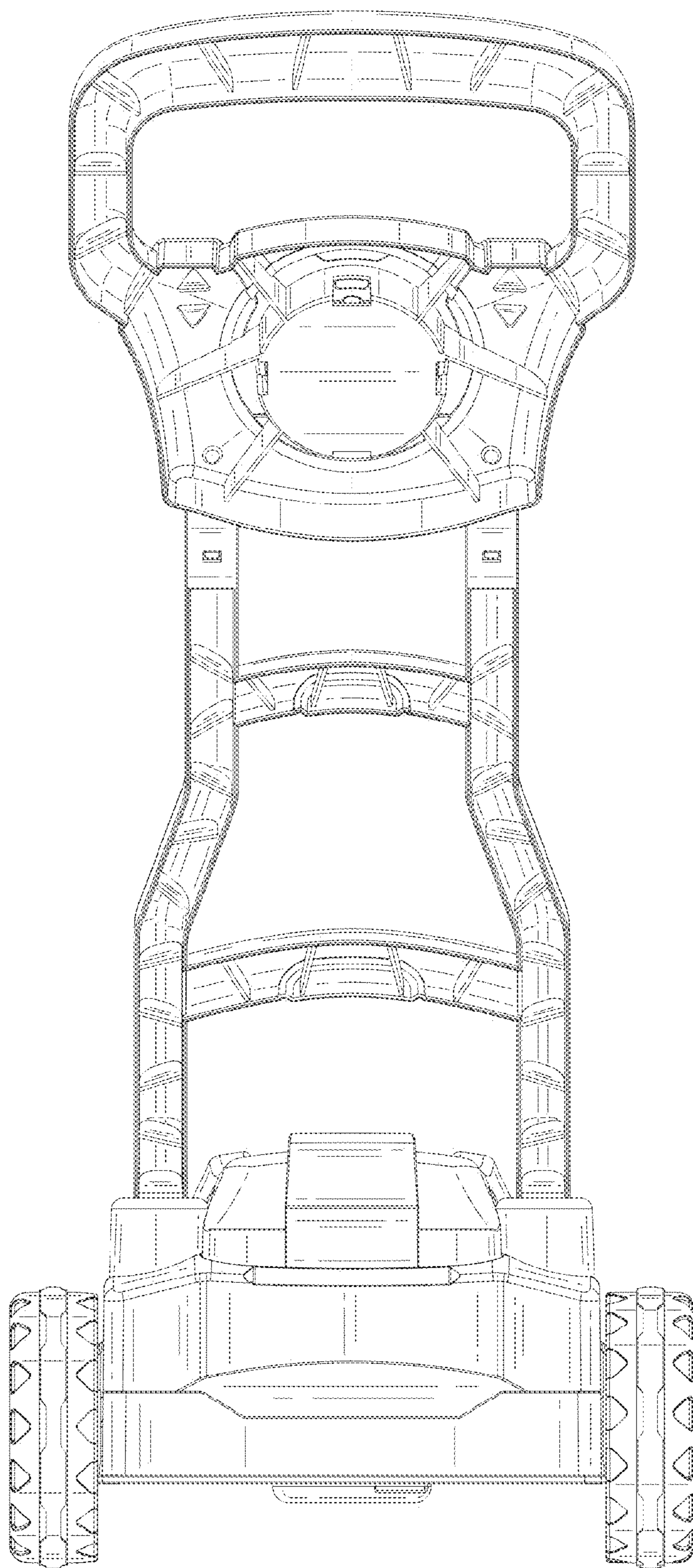


FIG. 4

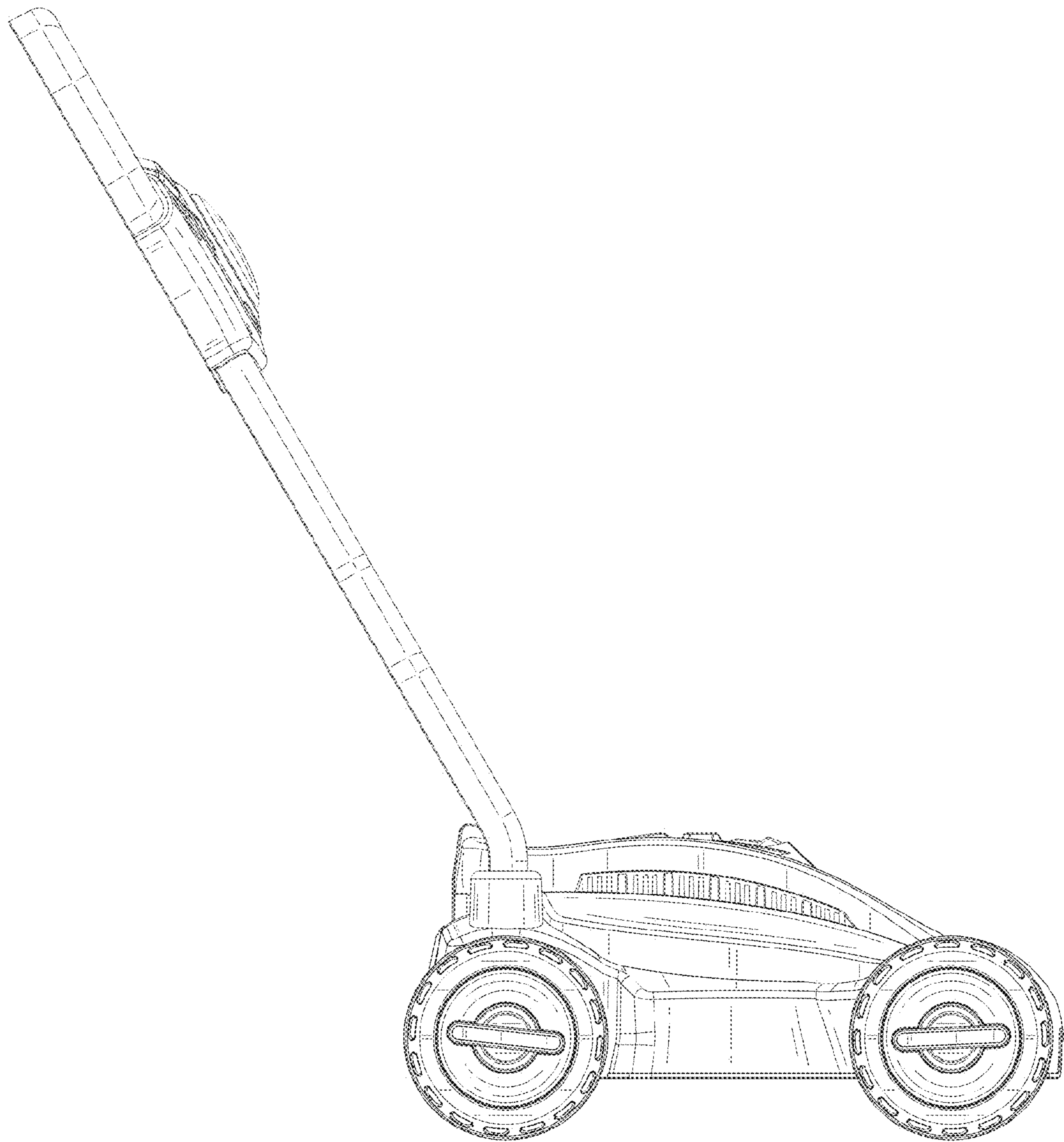


FIG. 5

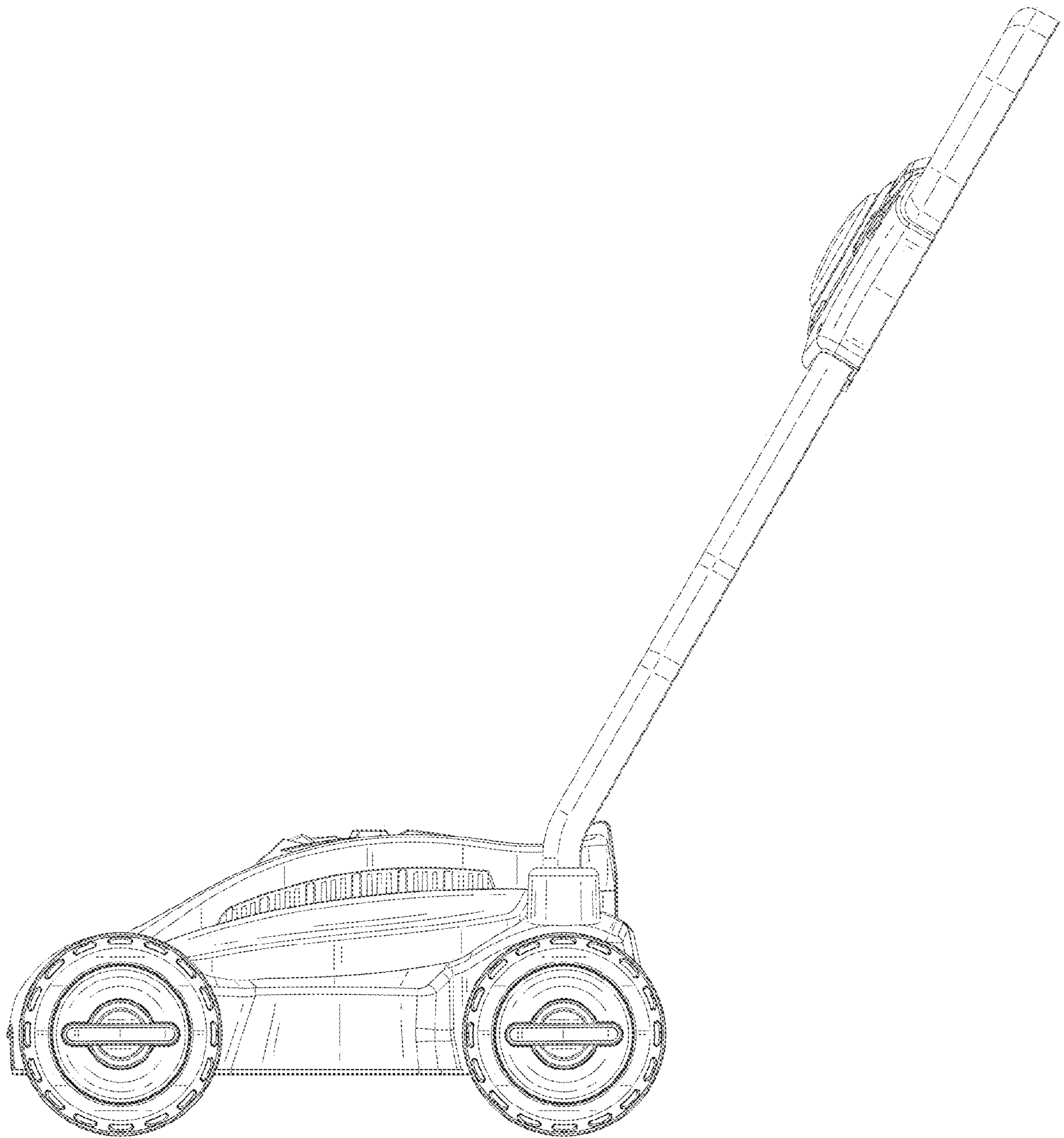


FIG. 6



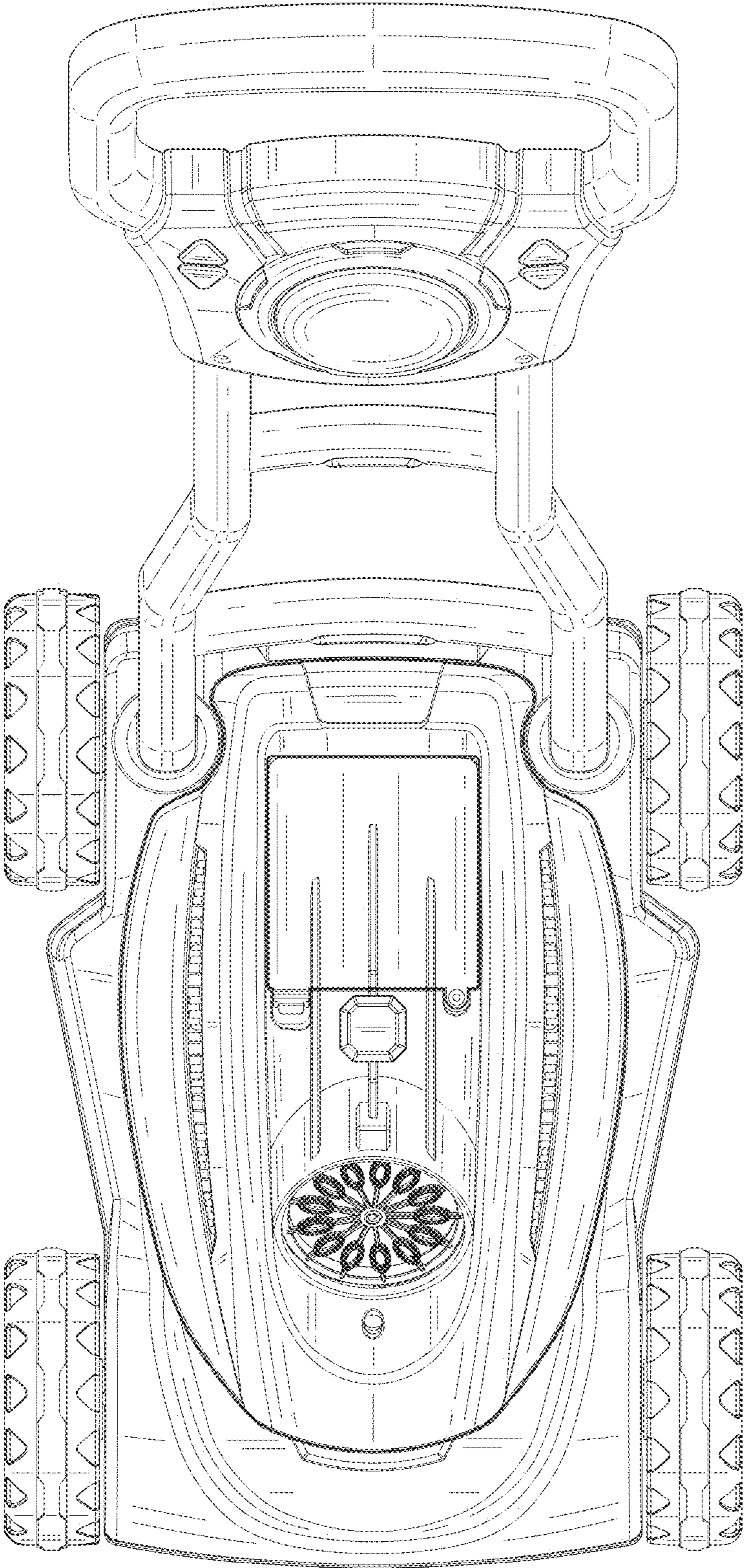


FIG. 7



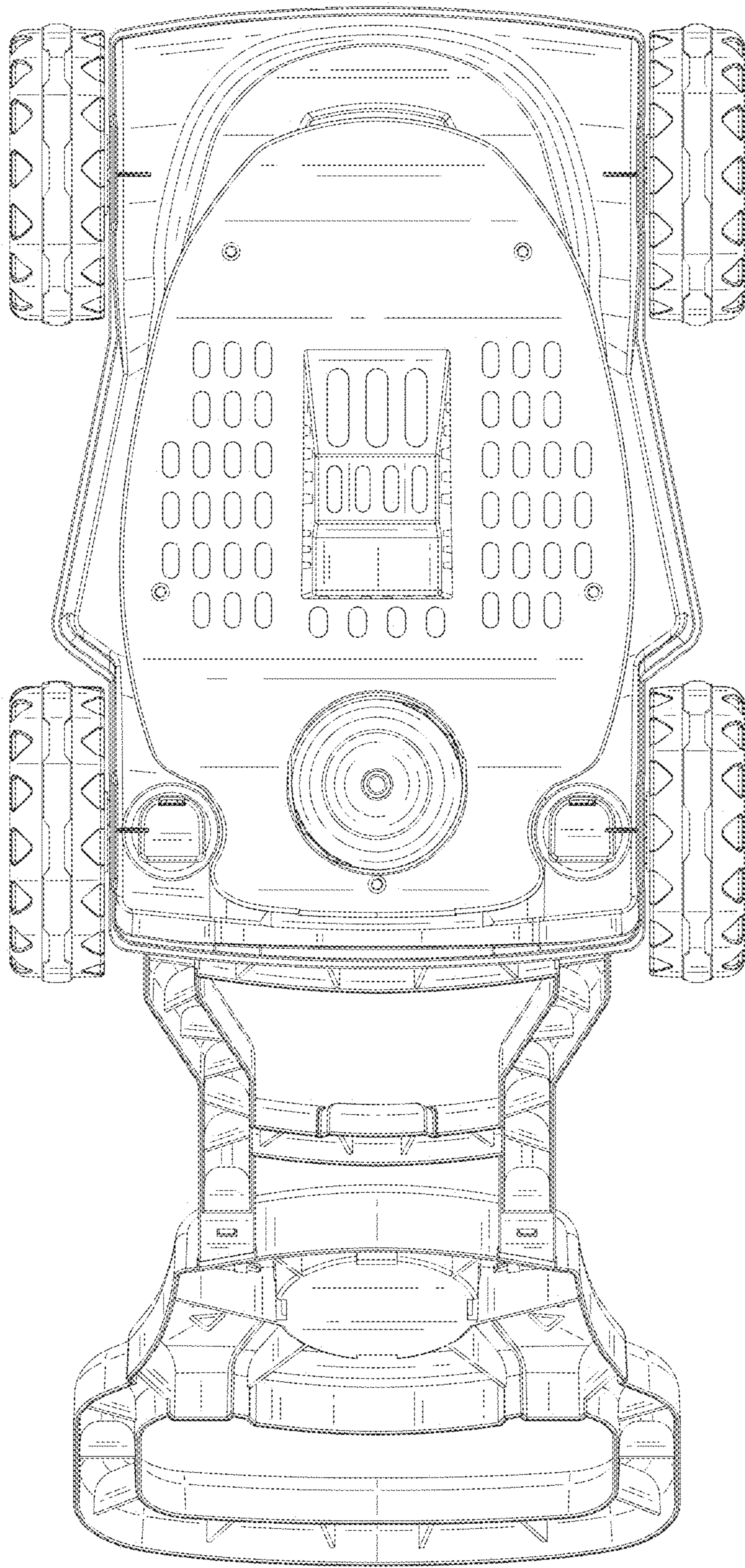


FIG. 8

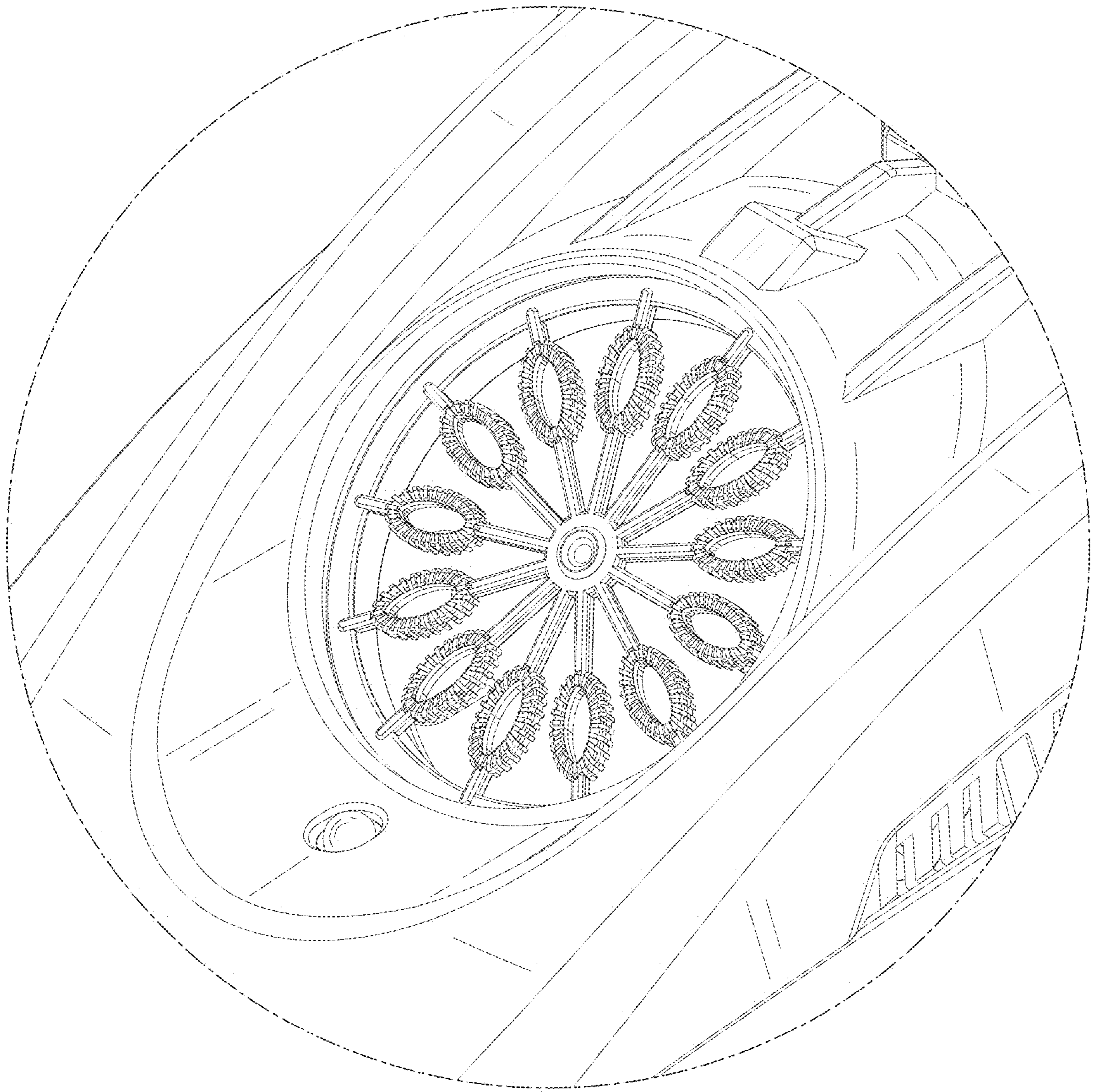


FIG. 9