



US00D980330S

(12) **United States Design Patent**
Cai

(10) **Patent No.:** **US D980,330 S**
(45) **Date of Patent:** **** Mar. 7, 2023**

(54) **BUBBLE MACHINE**

FOREIGN PATENT DOCUMENTS

(71) Applicant: **Jie Cai**, Shantou (CN)

CN 307570949 * 9/2022

(72) Inventor: **Jie Cai**, Shantou (CN)

* cited by examiner

(**) Term: **15 Years**

Primary Examiner — Gino Colan

Assistant Examiner — Gregory G McLemore

(21) Appl. No.: **29/861,327**

(74) *Attorney, Agent, or Firm* — Georgi Korobanov

(22) Filed: **Nov. 29, 2022**

(57) **CLAIM**

(51) **LOC (14) Cl.** **21-01**

The ornamental design for a bubble machine, as shown and described.

(52) **U.S. Cl.**

USPC **D21/401**

(58) **Field of Classification Search**

DESCRIPTION

USPC D21/401; 463/20, 31, 34; 446/15, 16,
446/20, 21, 161, 211; 237/78 R;
219/544

CPC A63H 33/28; A63H 33/26; G03B 27/32;
G03B 27/10; F24F 8/80

See application file for complete search history.

FIG. 1 is a front, right and top perspective view of a bubble machine, showing my new design;
FIG. 2 is a rear, left and bottom perspective view thereof;
FIG. 3 is a front view thereof;
FIG. 4 is a rear view thereof;
FIG. 5 is a left side view thereof;
FIG. 6 is a right side view thereof;
FIG. 7 is a top plan view thereof; and,
FIG. 8 is a bottom plan view thereof.

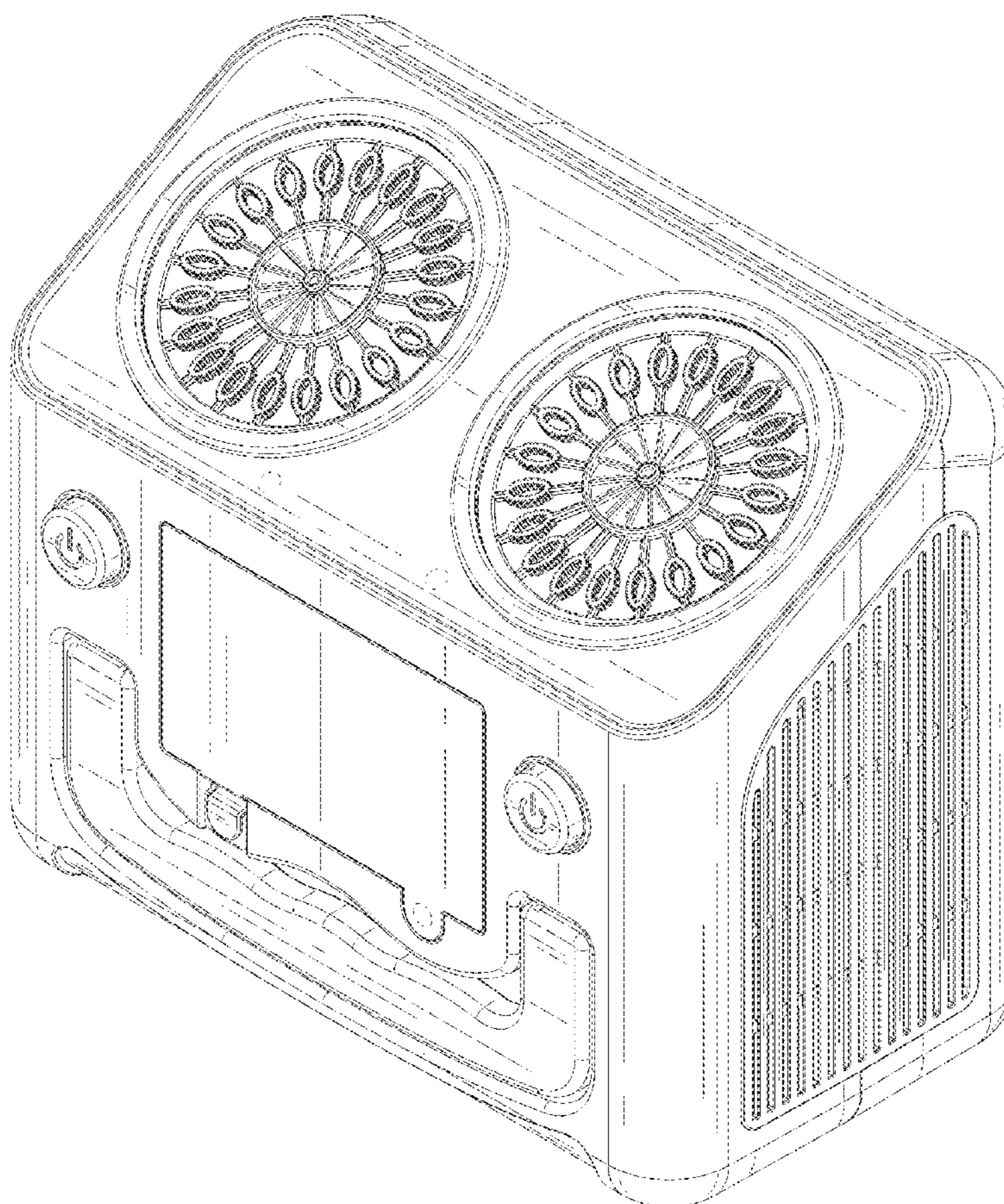
(56) **References Cited**

U.S. PATENT DOCUMENTS

D916,981 S 4/2021 Yang
D916,982 S 4/2021 Yang
D951,417 S * 5/2022 Yan D23/364
D957,528 S * 7/2022 Yang D21/401

The broken lines shown in the drawings illustrate portions of the bubble machine that form no part of the claimed design.

1 Claim, 8 Drawing Sheets



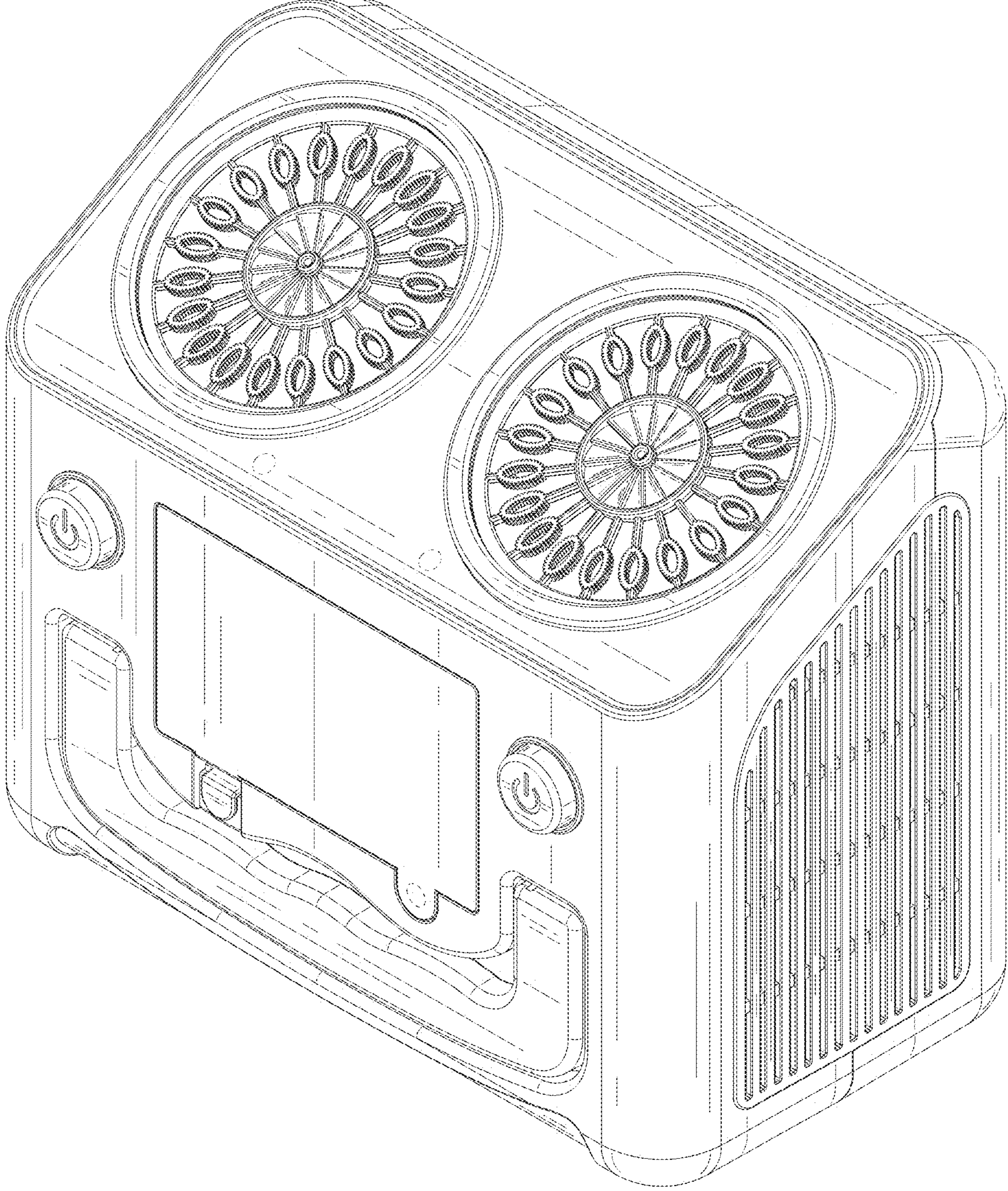


FIG. 1

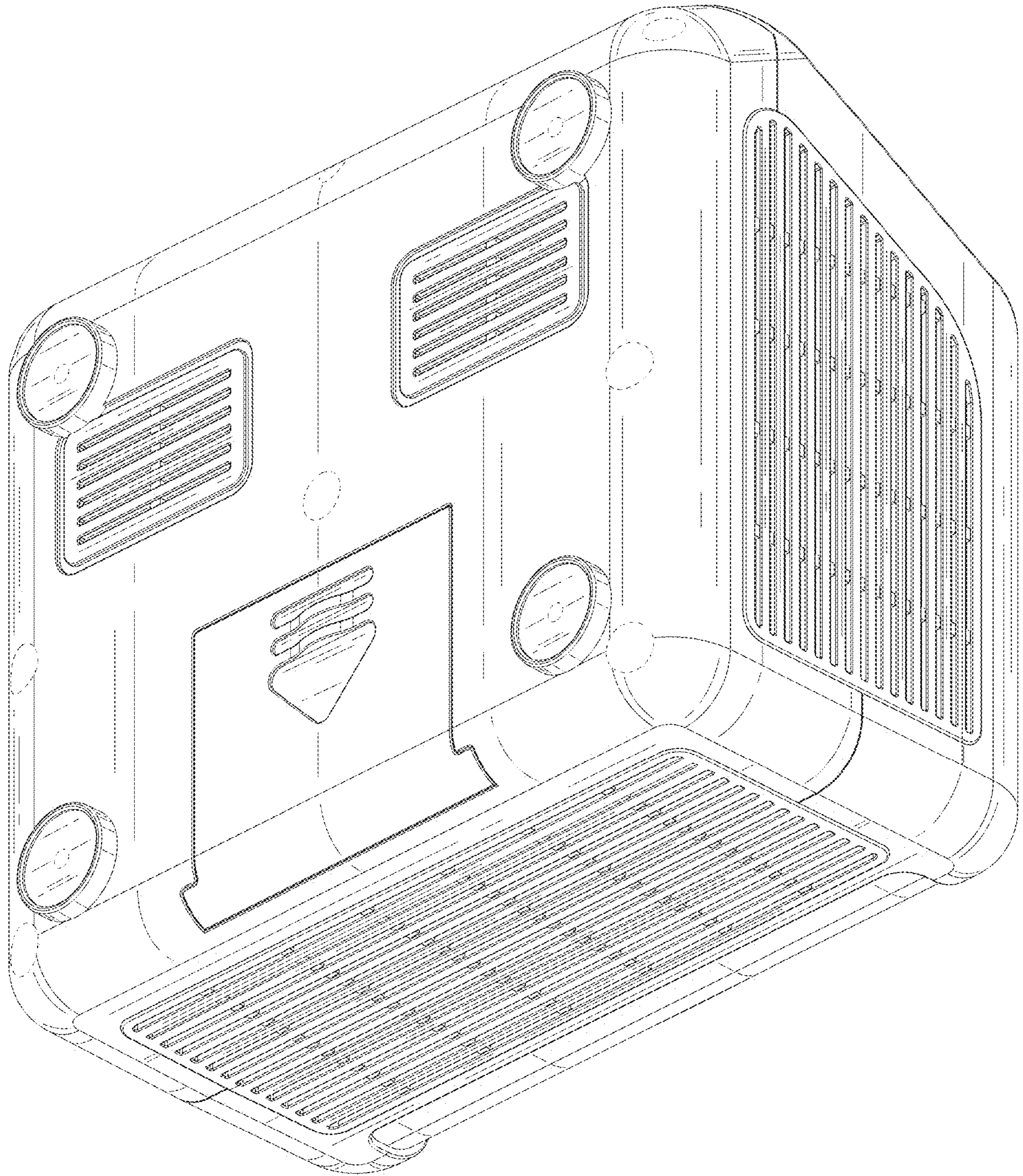


FIG. 2

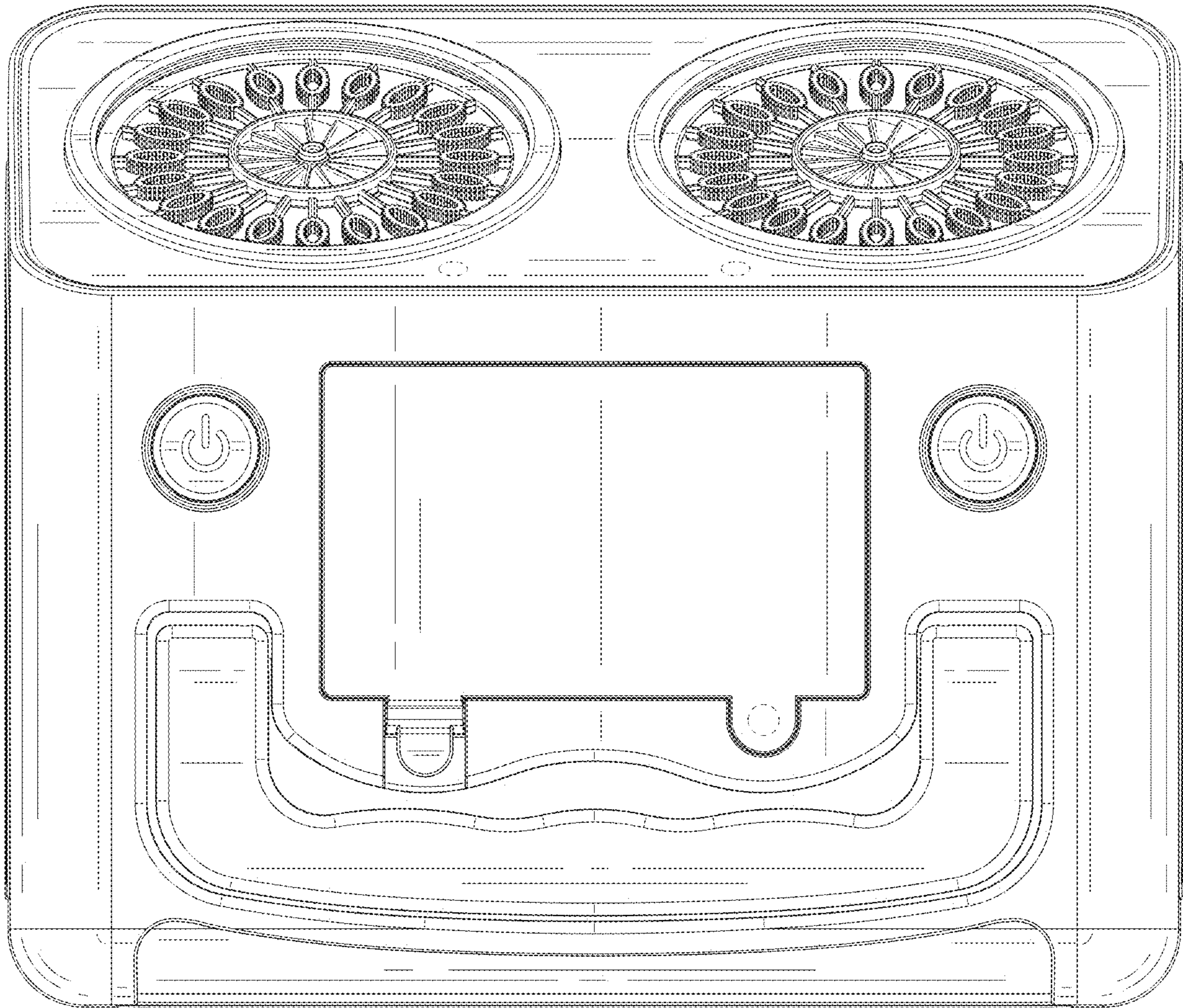


FIG. 3

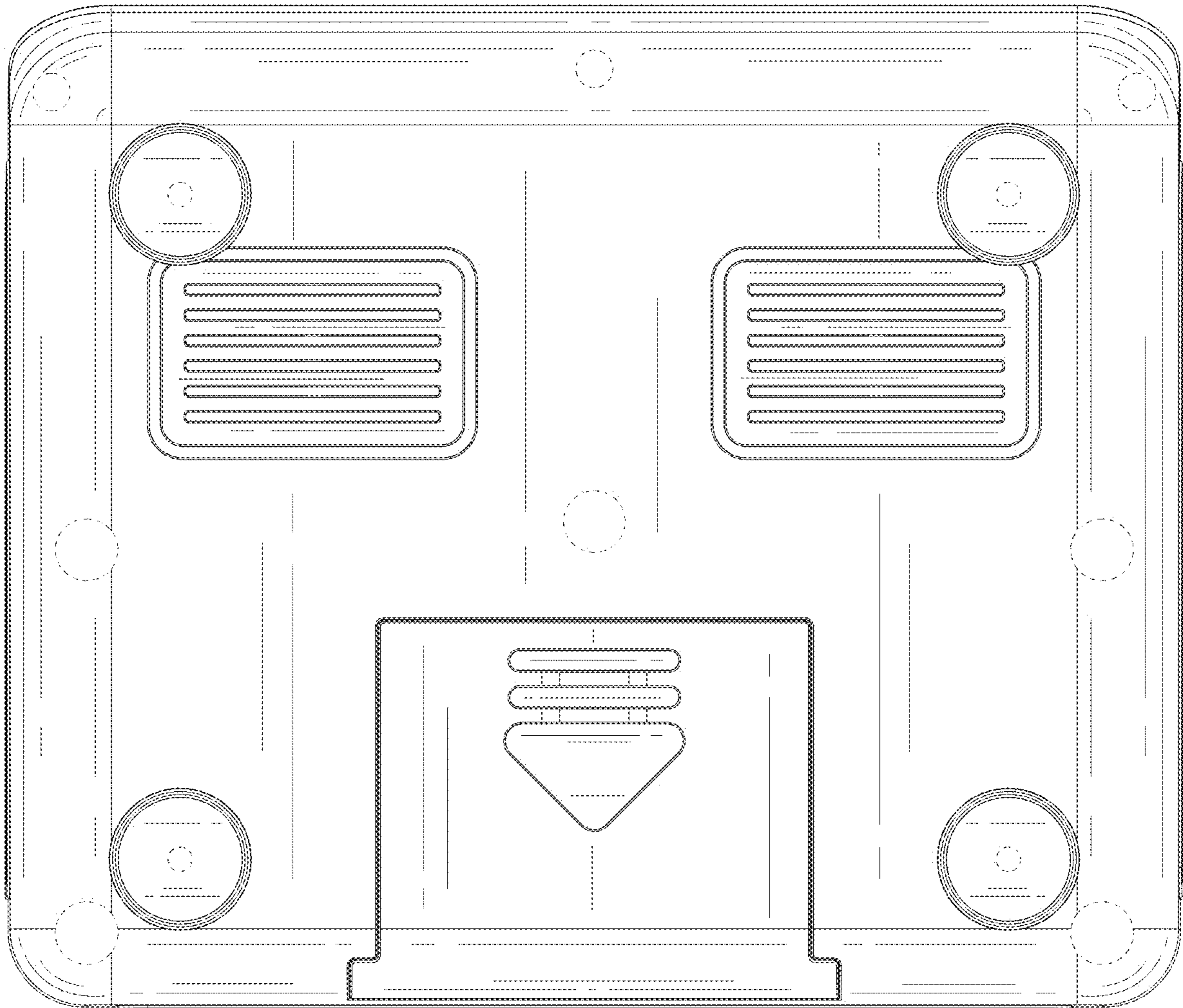


FIG. 4

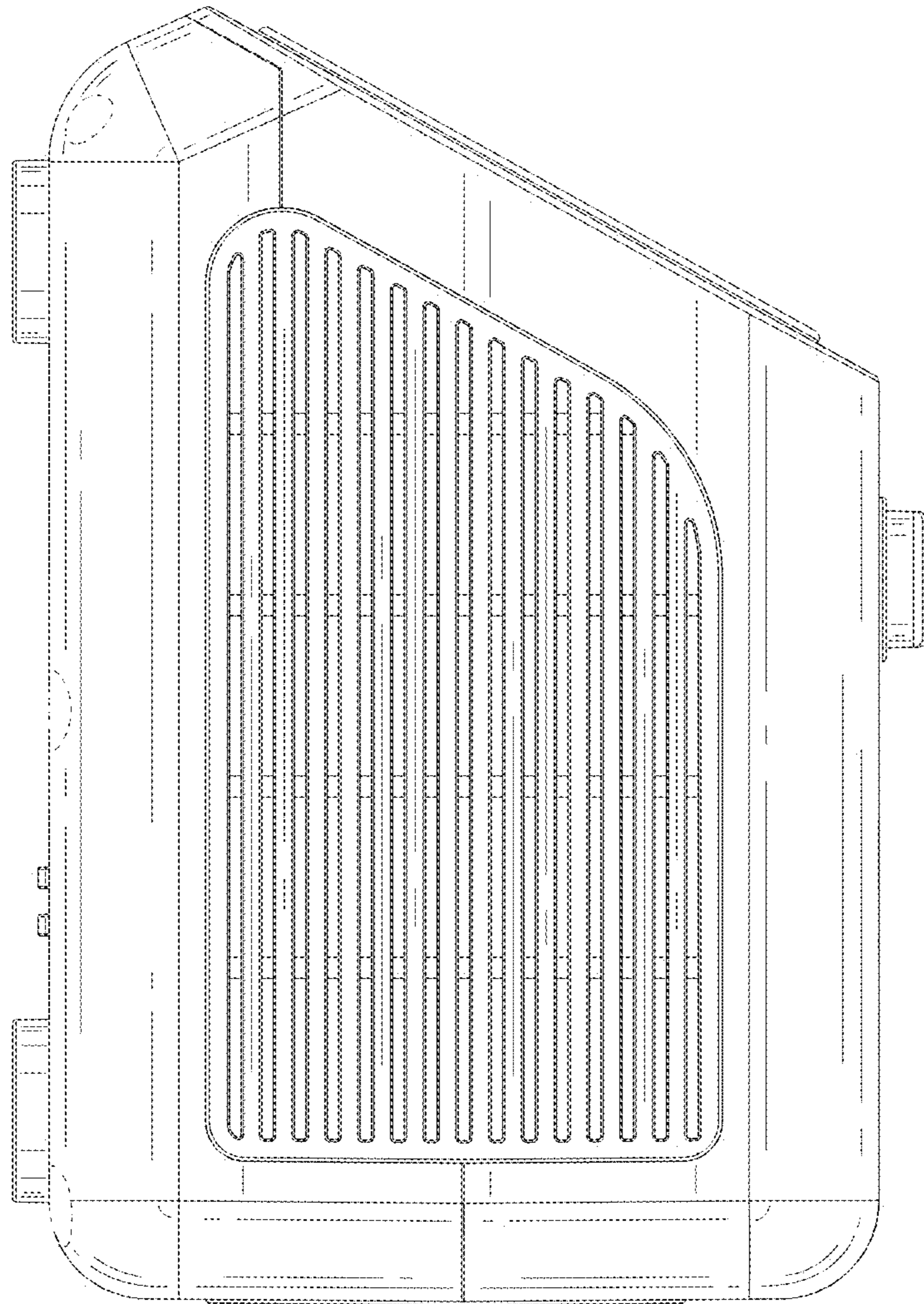


FIG. 5

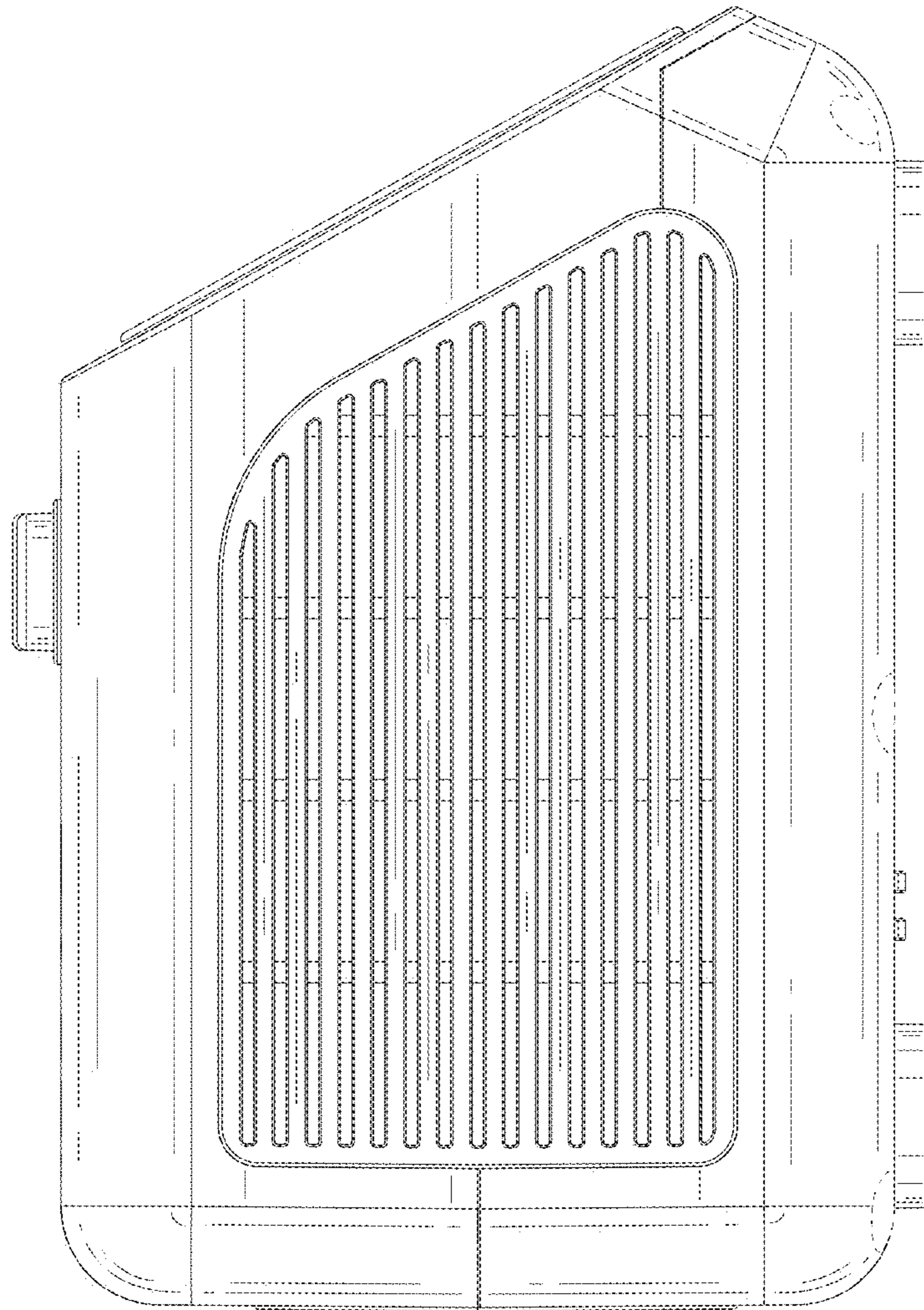


FIG. 6

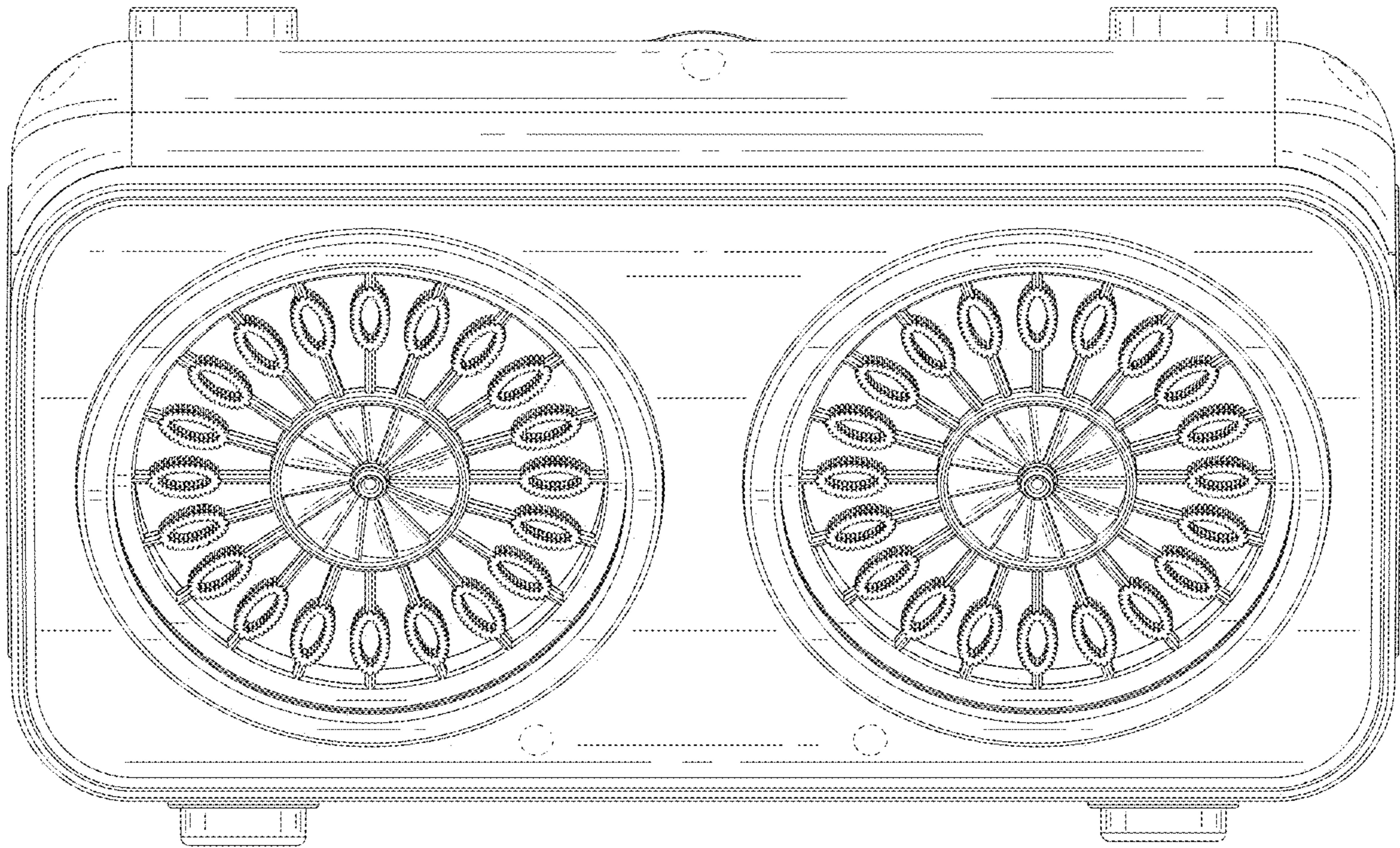


FIG. 7

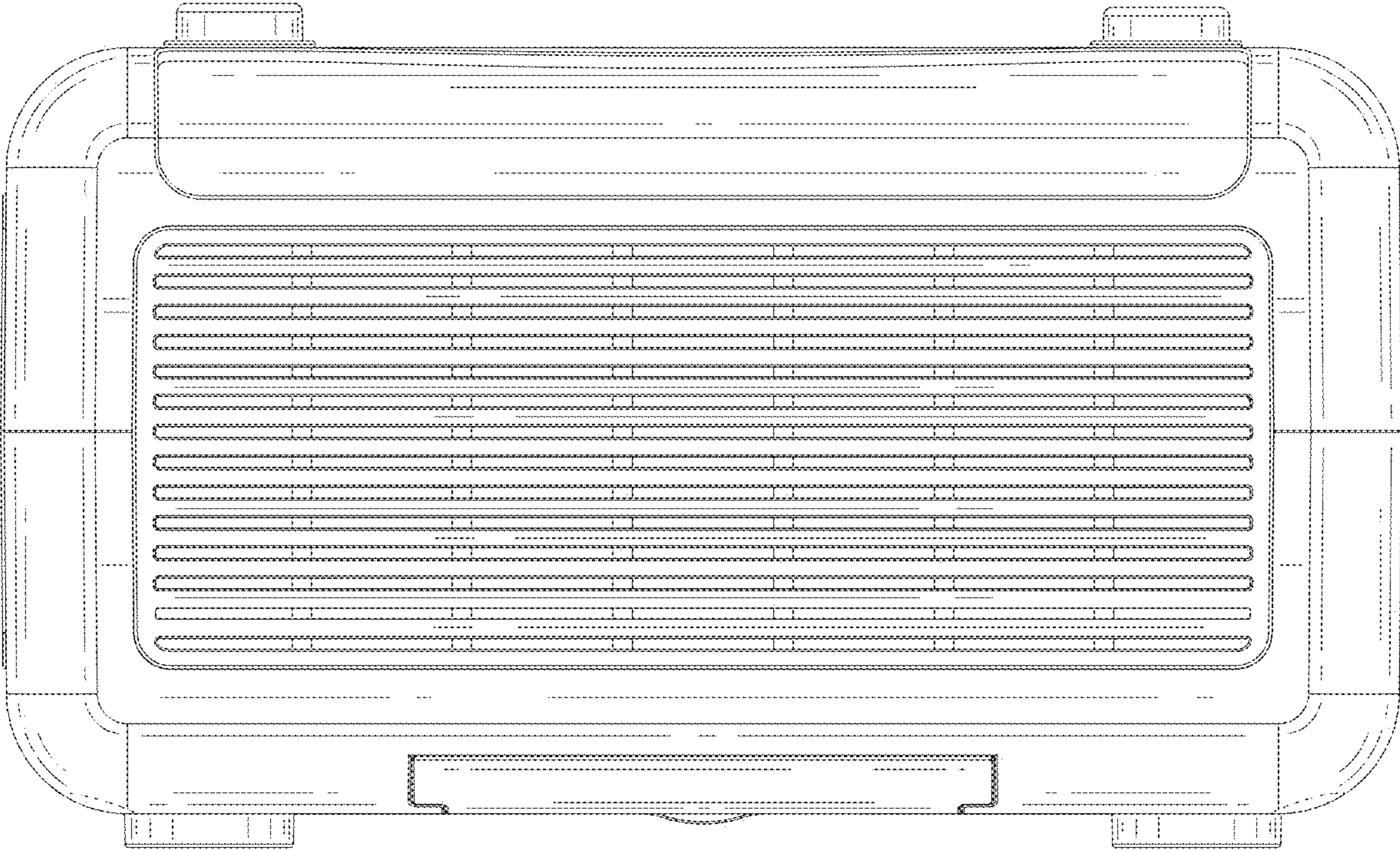


FIG. 8