



US00D980326S

(12) **United States Design Patent**
Sullivan

(10) **Patent No.:** **US D980,326 S**
(45) **Date of Patent:** **** Mar. 7, 2023**

(54) **SEE-THROUGH VERTICAL CHESS BOARD**

(71) Applicant: **Jeffrey Morris Sullivan**, Bemidji, MN
(US)

(72) Inventor: **Jeffrey Morris Sullivan**, Bemidji, MN
(US)

(**) Term: **15 Years**

(21) Appl. No.: **29/770,667**

(22) Filed: **Feb. 15, 2021**

(51) **LOC (14) Cl.** **21-01**

(52) **U.S. Cl.**

USPC **D21/337**

(58) **Field of Classification Search**

USPC D21/334, 336, 337, 338, 341, 349, 386,
D21/388, 389; 273/236, 241, 242, 260,
273/287, 288, 290, 148 R, 309, 282.1,
273/283

CPC A63F 3/00173; A63F 3/00261; A63F
3/00542; A63F 3/00697; A63F 3/02;
A63F 2003/0022; A63F 2003/00223;
A63F 2003/0023; A63F 2003/00406;
A63F 2003/0041; A63F 2003/00457;
A63F 2003/00533; A63F 2003/00536;
A63F 2003/00539; A63F 2003/00558;
A63F 2003/00599; A63F 2003/007; A63F
2003/00842; A63F 2003/00845

See application file for complete search history.

(56) **References Cited**

U.S. PATENT DOCUMENTS

D241,862 S * 10/1976 Cioffi D21/376
4,055,345 A * 10/1977 Havlik A63F 3/02
273/289
D247,273 S * 2/1978 Peters D6/571
4,187,975 A * 2/1980 Shepherd B65D 5/48038
217/31

4,448,420 A * 5/1984 Escamilla-Kelly ... A63F 3/0415
273/272
D283,012 S * 3/1986 Jankens D32/55
5,095,852 A * 3/1992 Hoover A01K 1/035
119/707
5,503,400 A * 4/1996 Silva A63F 3/02
273/288
D450,518 S * 11/2001 Frederick D6/675.1
7,114,300 B1 * 10/2006 Culp A47B 47/042
211/186
D590,215 S * 4/2009 Carrell D7/672
D613,164 S * 4/2010 Lee D9/456
D664,814 S * 8/2012 Lepore D7/672
D676,089 S * 2/2013 Schrier D21/337
8,517,189 B2 * 8/2013 Donohoe A47B 96/00
248/231.91
D717,878 S * 11/2014 Yang D21/348
D735,500 S * 8/2015 Wu D6/675
D753,423 S * 4/2016 Love D6/678.2
D759,761 S * 6/2016 Connell D21/337
9,370,243 B2 * 6/2016 Menard A47B 47/0091
9,615,663 B2 * 4/2017 Davis A47B 47/042
D883,388 S * 5/2020 Jackson, III D21/336
D946,086 S * 3/2022 Rice D21/337
2014/0263130 A1 * 9/2014 Davis A47B 47/0075
211/183

* cited by examiner

Primary Examiner — Susan Moon Lee

(74) *Attorney, Agent, or Firm* — Donald Debelak

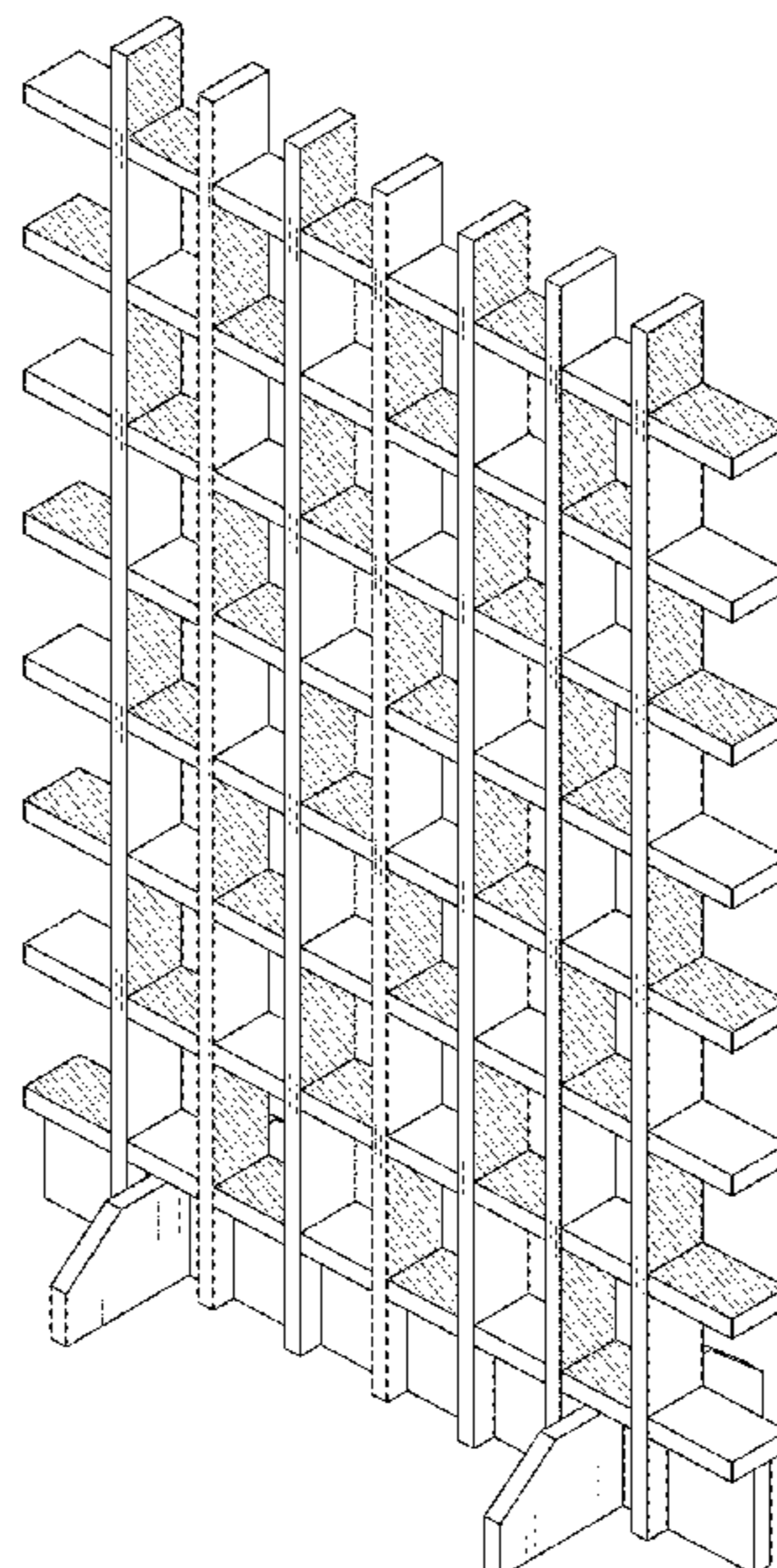
(57) **CLAIM**

I claim the ornamental design for a see-through vertical chess board, as shown and described.

DESCRIPTION

FIG. 1 is a front elevation view of see-through vertical chess board in accordance with the present design; FIG. 2 is a side elevation view thereof; and, FIG. 3 is a perspective view thereof.

1 Claim, 3 Drawing Sheets



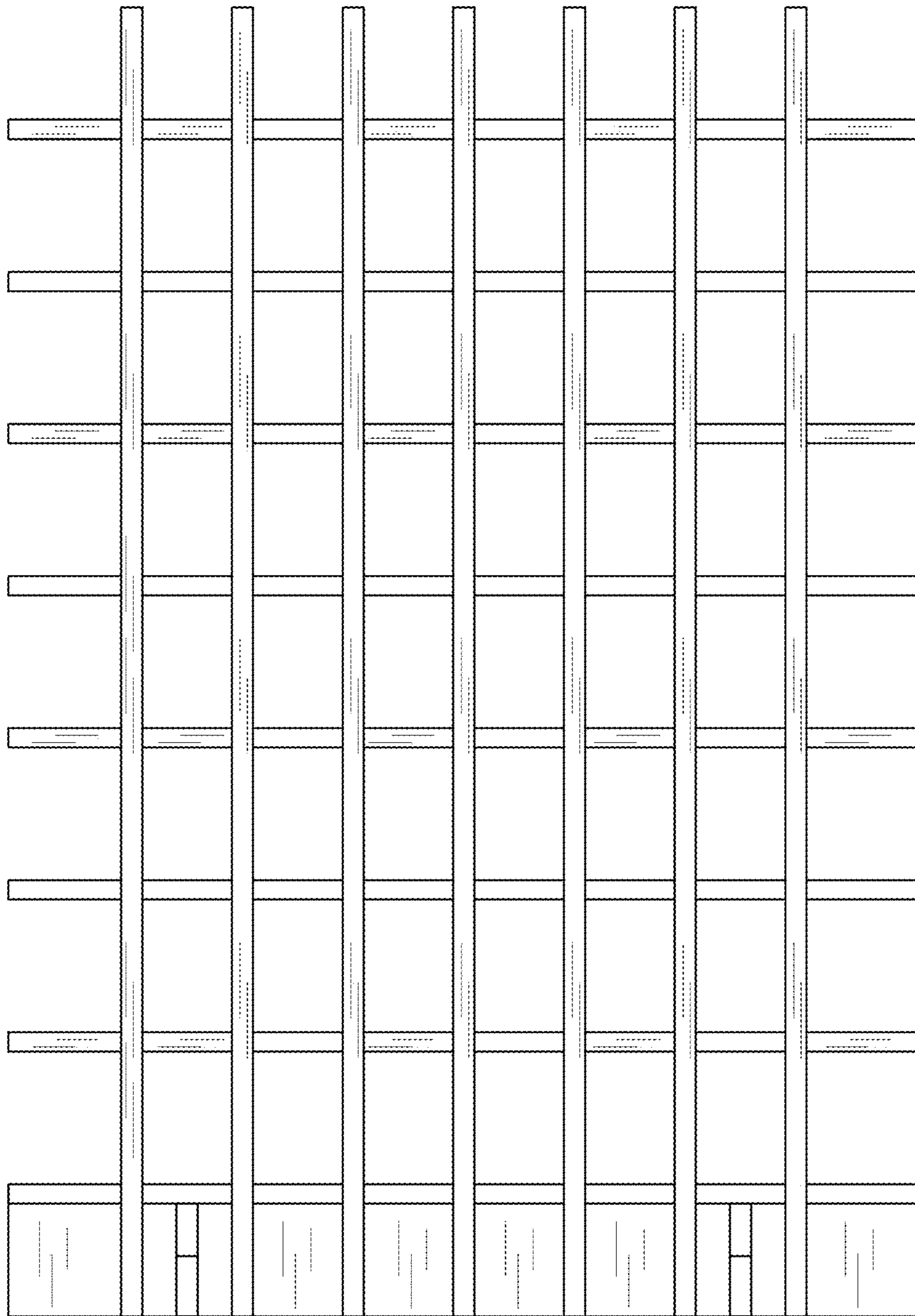


Fig. 1

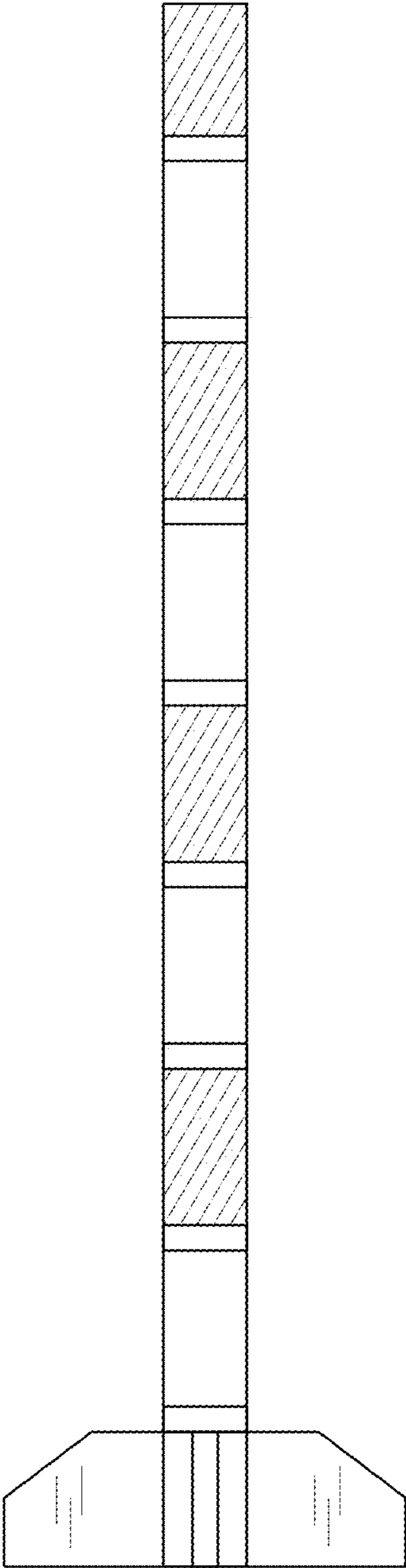


Fig. 2

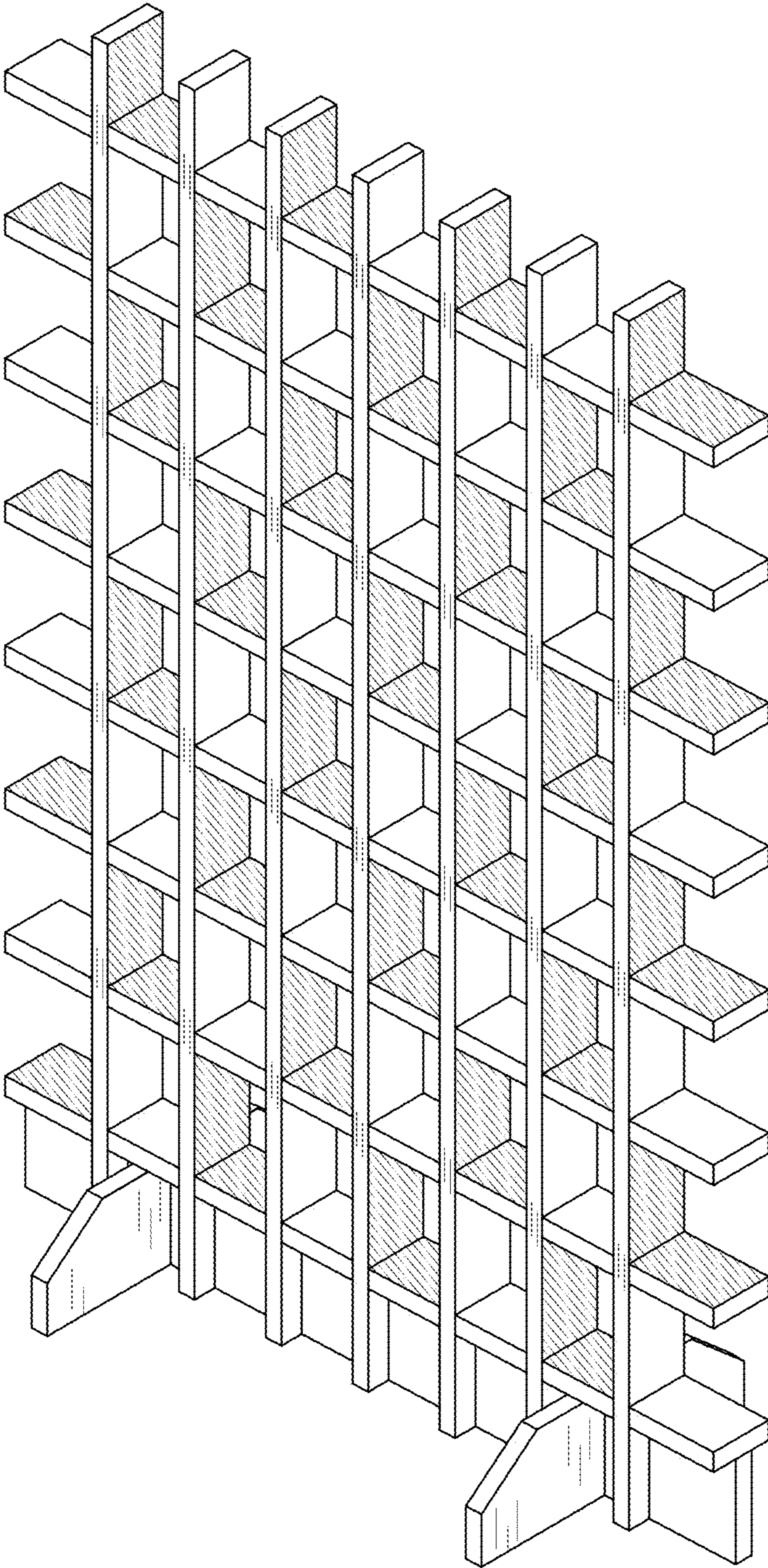


Fig. 3