



US00D980321S

(12) **United States Design Patent**  
**Hong et al.**

(10) **Patent No.:** **US D980,321 S**  
(45) **Date of Patent:** **\*\* Mar. 7, 2023**

(54) **DIGITAL SIGNAGE**

(71) Applicant: **LG ELECTRONICS INC.**, Seoul  
(KR)

(72) Inventors: **Hyeyoung Hong**, Seoul (KR); **Yongho Lee**, Seoul (KR)

(73) Assignee: **LG ELECTRONICS INC.**, Seoul  
(KR)

(\*\*) Term: **15 Years**

(21) Appl. No.: **29/759,218**

(22) Filed: **Nov. 20, 2020**

(30) **Foreign Application Priority Data**

Jun. 25, 2020 (KR) ..... 30-2020-0028983

(51) **LOC (14) Cl.** ..... **20-03**

(52) **U.S. Cl.**  
USPC ..... **D20/10; D20/19; D14/126; D6/672;**  
**D6/673**

(58) **Field of Classification Search**  
USPC ..... D5/8; D6/300, 303, 657, 672, 673;  
D10/104.1, 104.2, 109.1, 109.2;  
D13/102; D14/126, 371, 374; D20/10,  
D20/11, 18, 19, 22, 28, 27, 31, 32, 39,  
D20/40, 41, 42, 99  
CPC ..... G09F 13/18; G09F 2013/184; G09F  
2013/1872; G09F 2013/1877; G09F  
13/20; G09F 13/22; G09F 13/02; G09F  
7/00; G09F 2007/007; G09F 7/02; G09F  
9/00; G09F 19/00; G09F 15/00; G09F  
15/0006; G09F 15/0037  
See application file for complete search history.

(56) **References Cited**

**U.S. PATENT DOCUMENTS**

D354,520 S \* 1/1995 Pong ..... D19/91  
D396,170 S \* 7/1998 Conway ..... D7/590

D835,056 S \* 12/2018 Won ..... D14/126  
D845,259 S \* 4/2019 Won ..... D14/126  
D845,261 S \* 4/2019 Won ..... D14/126  
D847,771 S \* 5/2019 Won ..... D14/126  
D852,154 S \* 6/2019 Won ..... D14/126  
D886,196 S \* 6/2020 Lee ..... D20/39  
D886,902 S \* 6/2020 Lee ..... D20/39  
D949,973 S \* 4/2022 You ..... D14/126

(Continued)

**OTHER PUBLICATIONS**

NAB 2019, posted at provideocoalition.com, posted on Apr. 26, 2019, site visited Nov. 23, 2022. online, available from internet: <https://www.provideocoalition.com/nab-2019-transparent-oled-display/> (Year: 2019).\*

(Continued)

*Primary Examiner* — Catherine Ho

(74) *Attorney, Agent, or Firm* — Birch, Stewart, Kolasch & Birch, LLP

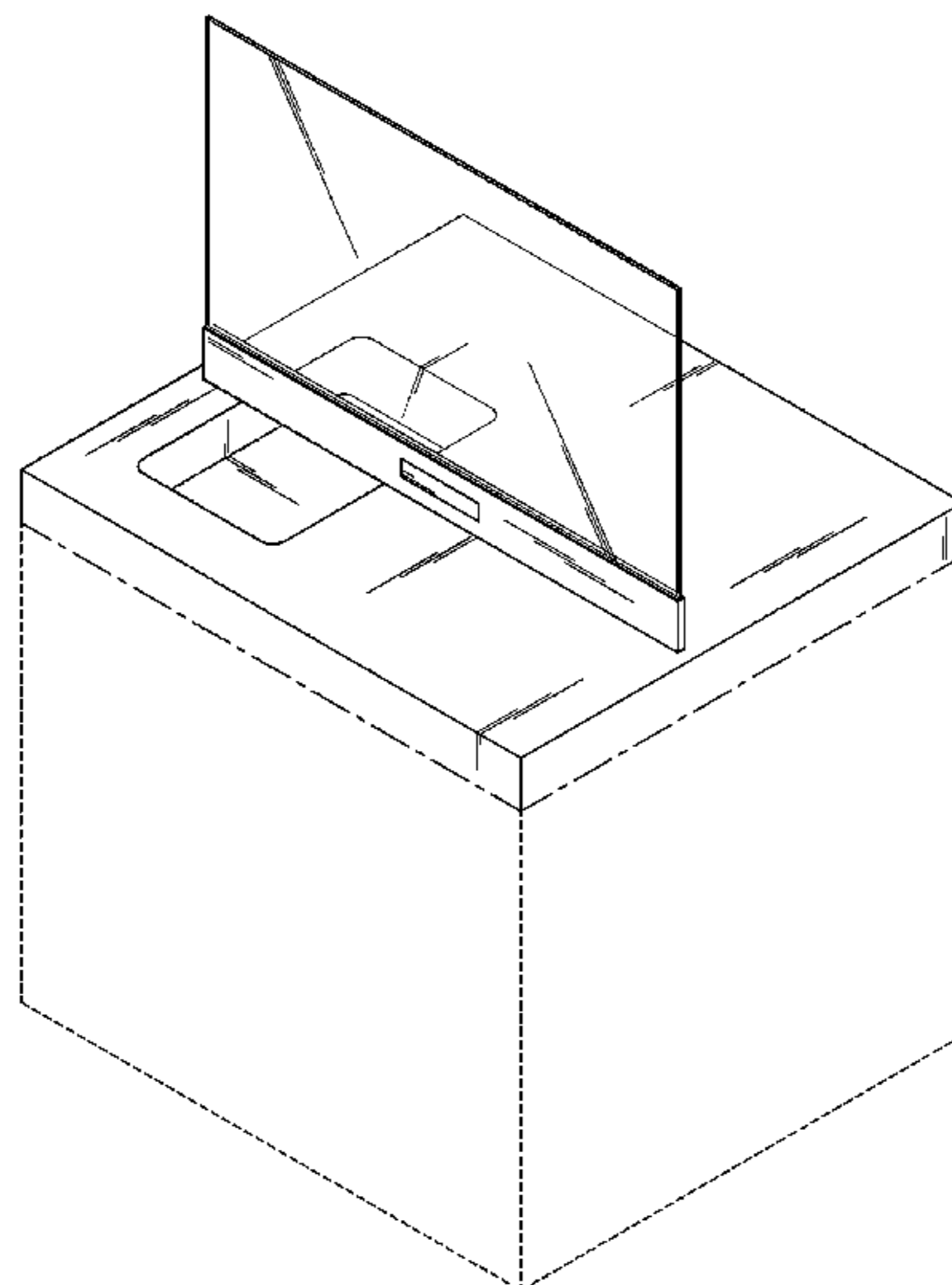
(57) **CLAIM**

We claim the ornamental design for a digital signage, as shown and described.

**DESCRIPTION**

FIG. 1 is a perspective view of a digital signage showing the new design;  
FIG. 2 is a front elevation view thereof;  
FIG. 3 is a rear elevation view thereof;  
FIG. 4 is a left-side elevation view thereof;  
FIG. 5 is a right-side elevation view thereof;  
FIG. 6 is a top plan view thereof; and,  
FIG. 7 is a bottom plan view thereof.  
The broken lines represent portions of the stand for digital signage that form no part of the claimed design. The dashed-dot lines are used to define boundaries of the claimed design and form no part thereof.

**1 Claim, 7 Drawing Sheets**



(56)

**References Cited**

U.S. PATENT DOCUMENTS

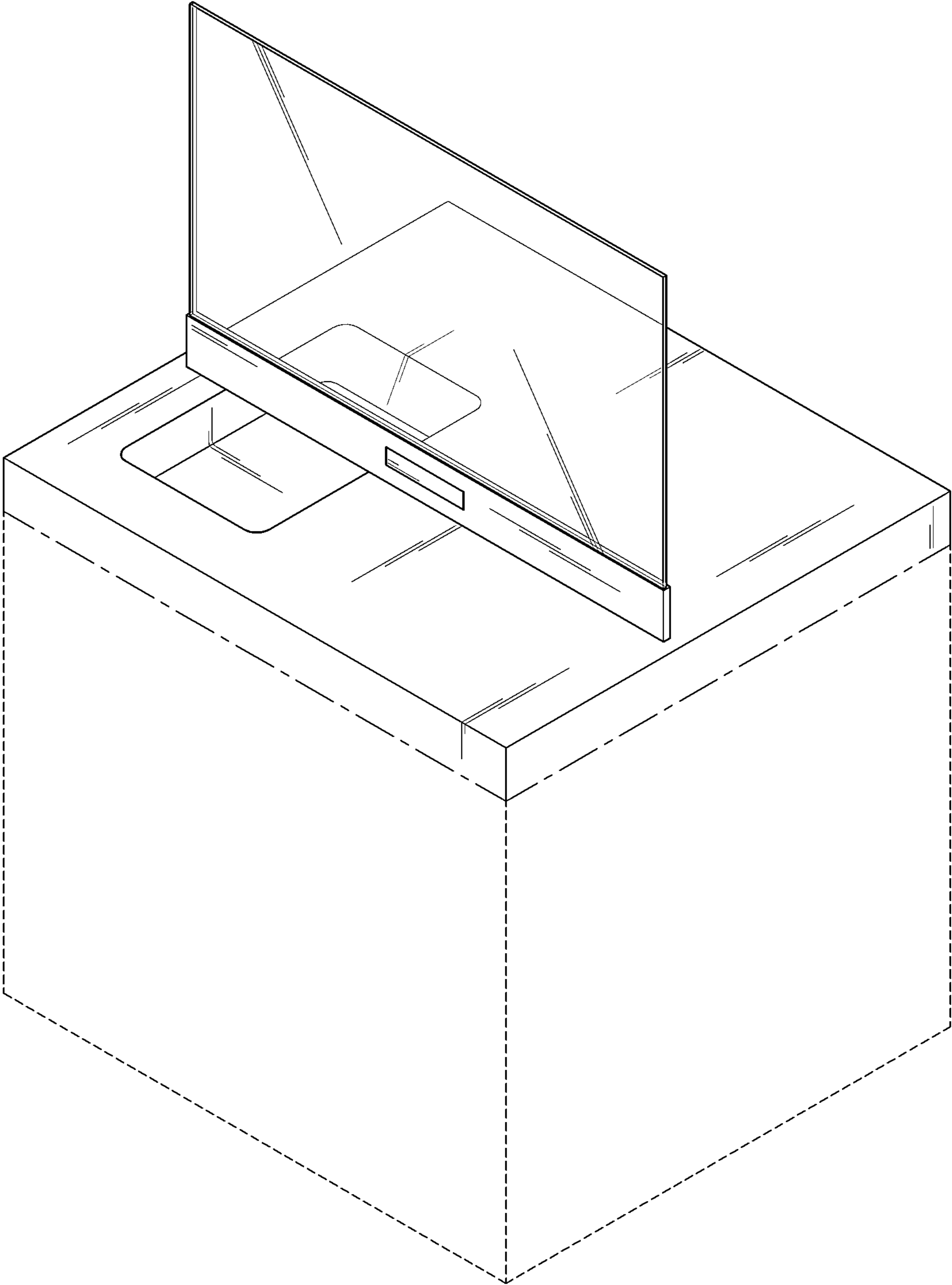
D956,456 S \* 7/2022 Hong ..... D6/675.4  
D960,979 S \* 8/2022 Lee ..... D14/127  
D963,383 S \* 9/2022 Hong ..... D6/672

OTHER PUBLICATIONS

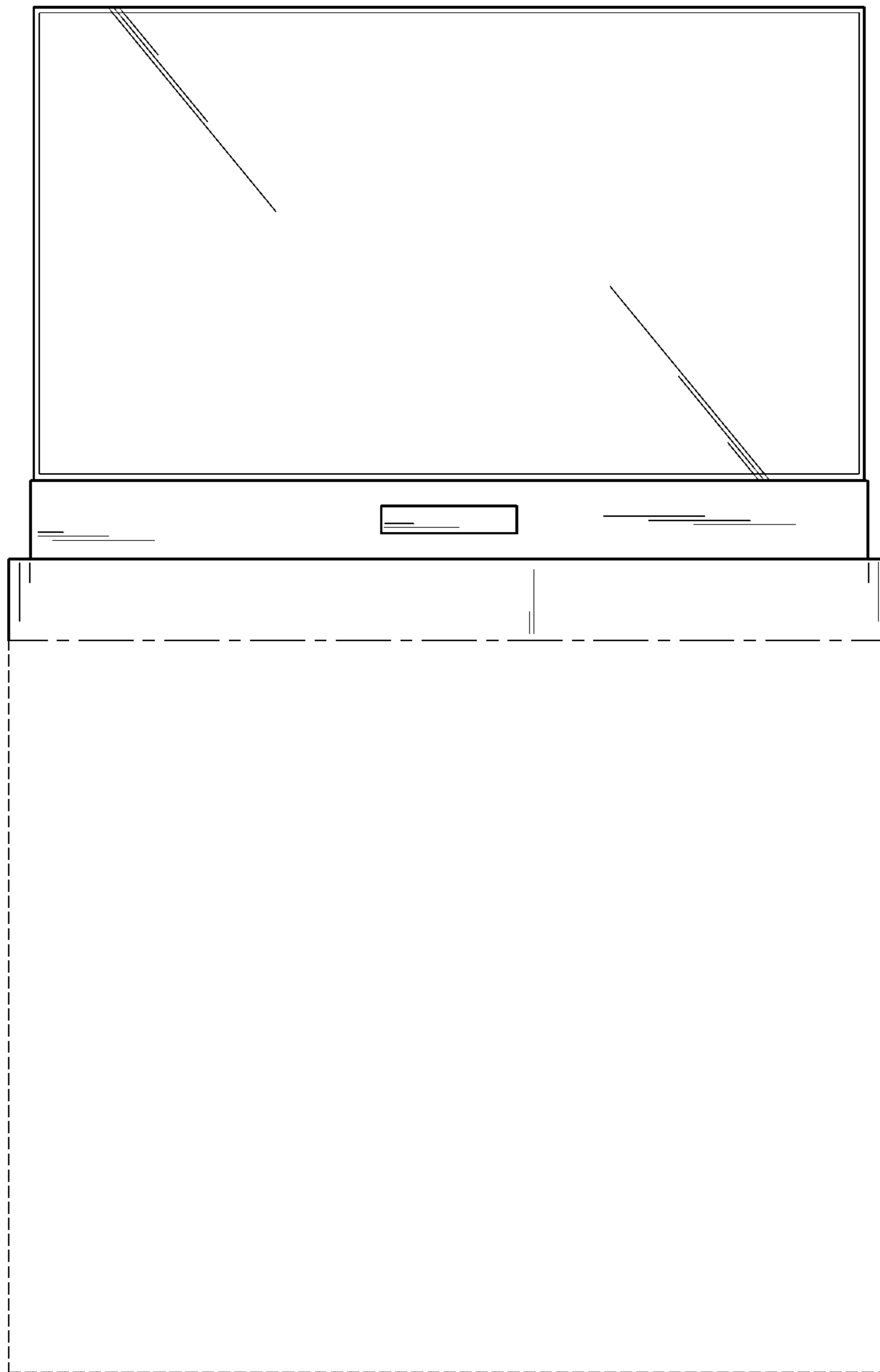
Transparent OLED signage, posted at pocnetwork.net, posted on Jun. 8, 2018, site visited Nov. 23, 2022. online, available from internet: <https://www.pocnetwork.net/technology-news/lg-shows-off-new-transparent-oled-technology-at-infocomm-2018/> (Year: 2018).\*

\* cited by examiner

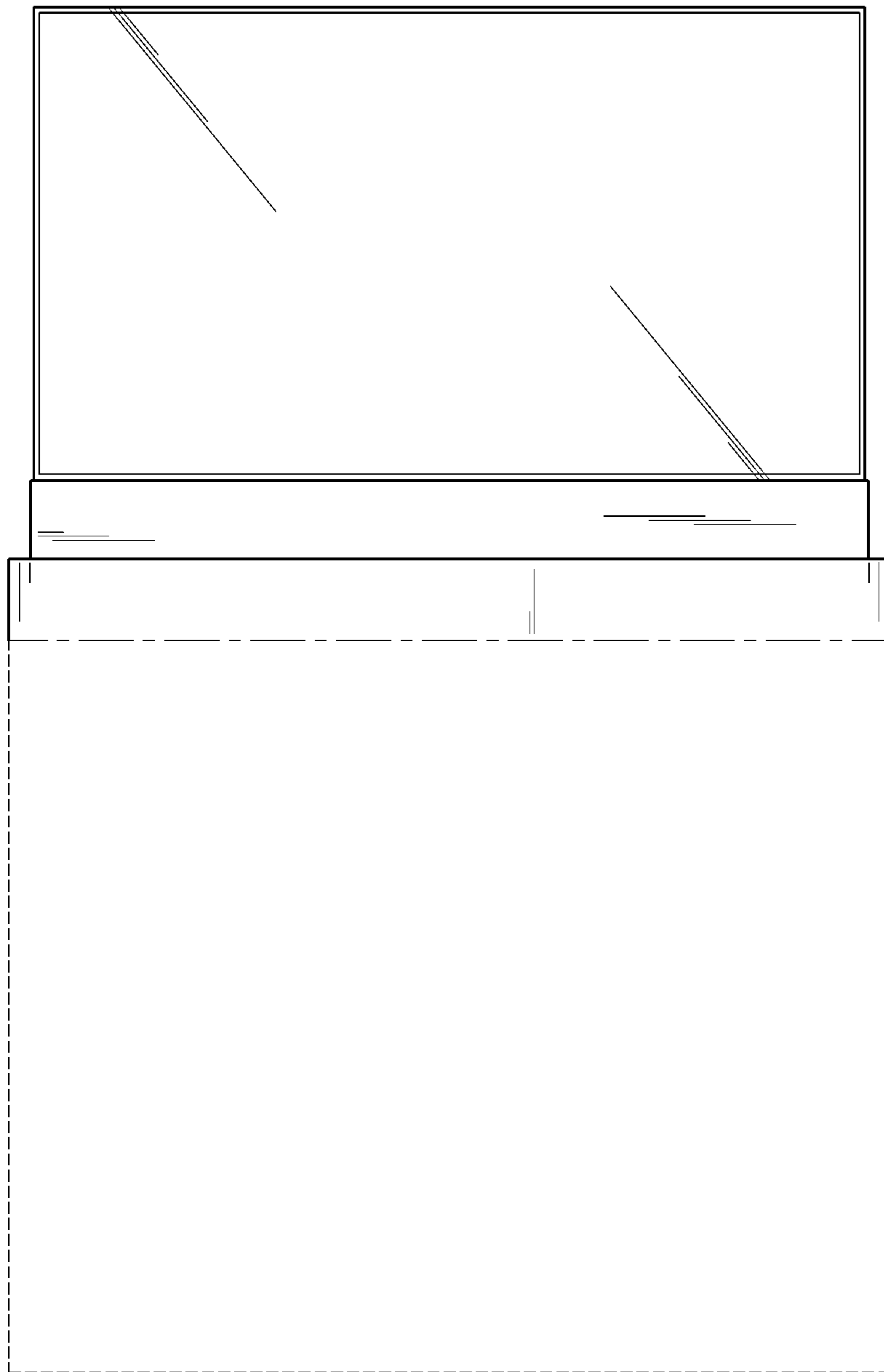
*FIG. 1*



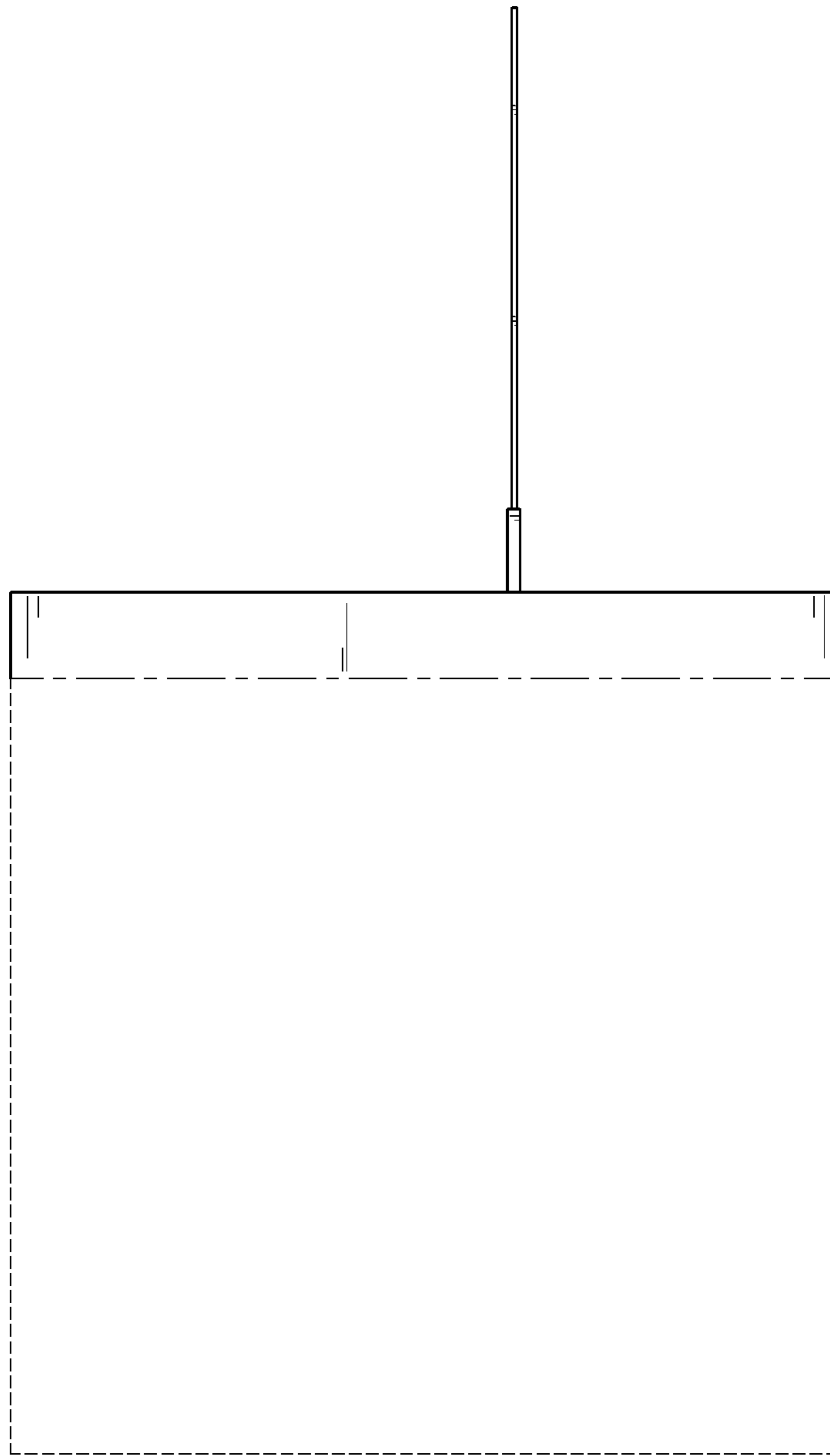
*FIG. 2*



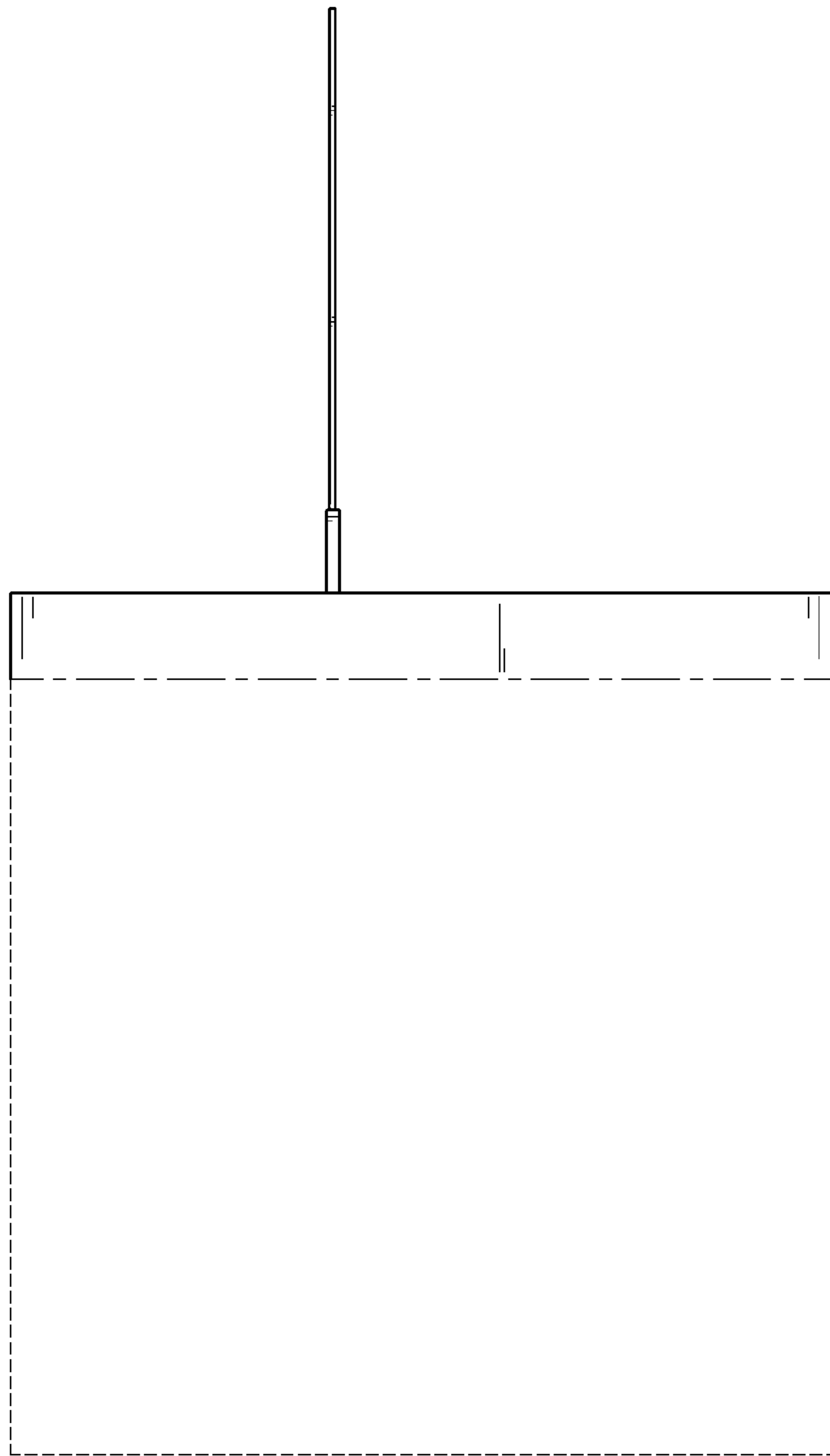
*FIG. 3*



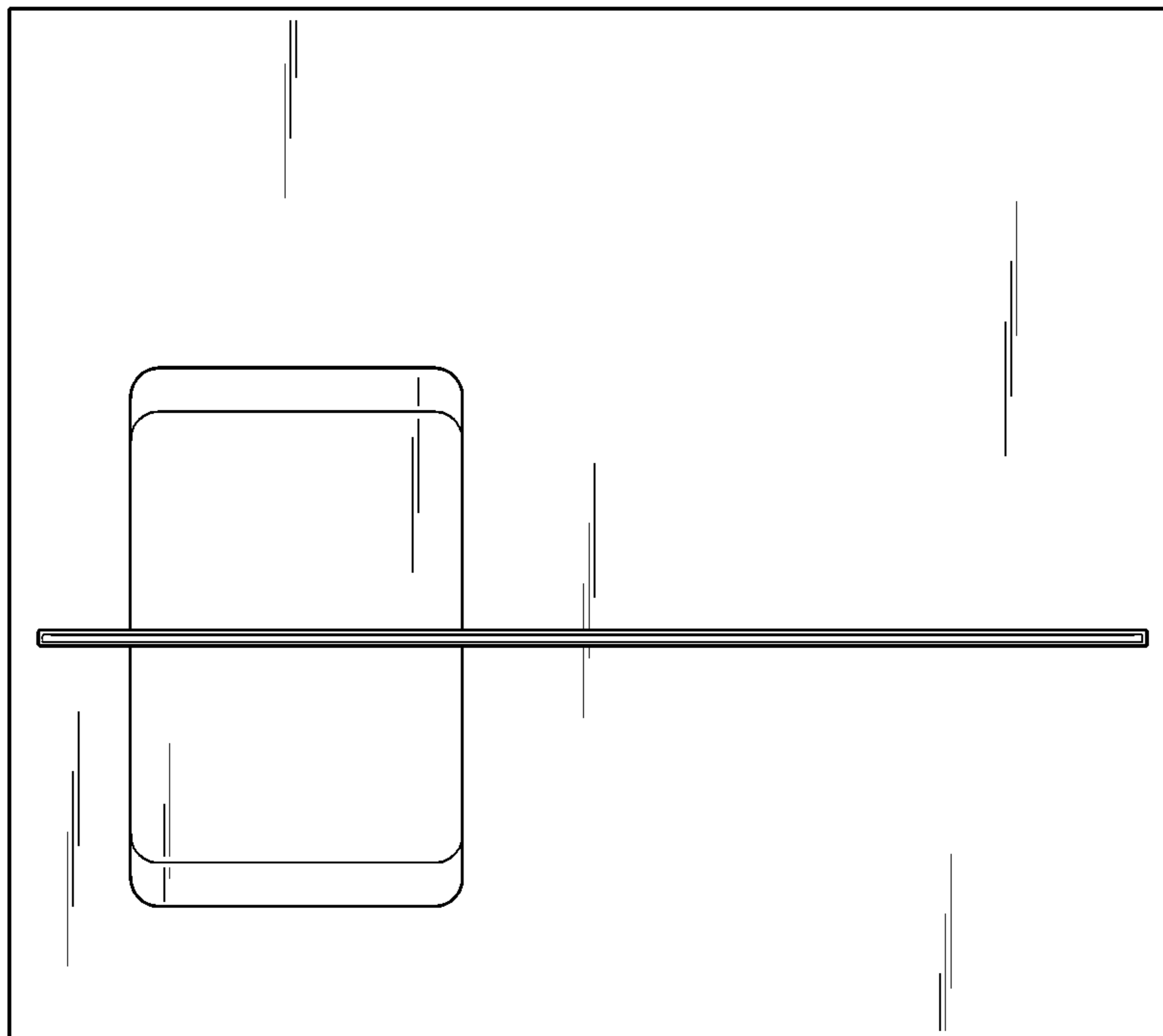
*FIG. 4*



*FIG. 5*



*FIG. 6*





*FIG. 7*

