



US00D980313S

(12) **United States Design Patent** (10) **Patent No.:** **US D980,313 S**
Park (45) **Date of Patent:** **** Mar. 7, 2023**

(54) **EYEGLOSS TEMPLE WITH TEMPLE TIP CARRYING HEART**

(71) Applicant: **Min Gyu Park**, Busan (KR)

(72) Inventor: **Min Gyu Park**, Busan (KR)

(**) Term: **15 Years**

(21) Appl. No.: **29/766,326**

(22) Filed: **Jan. 14, 2021**

(51) **LOC (14) Cl.** **16-06**

(52) **U.S. Cl.**
USPC **D16/335**

(58) **Field of Classification Search**
USPC D16/300, 306, 307, 308, 318, 321, 330,
D16/341, 342, 335, 336, 338
See application file for complete search history.

(56) **References Cited**

U.S. PATENT DOCUMENTS

207,844	A	*	9/1878	Blair	G02C 5/143 351/123
D44,504	S	*	8/1913	Wells	D16/330
D51,955	S	*	4/1918	Desha	D16/307
D97,957	S	*	12/1935	Reynolds	D16/335
D142,827	S	*	11/1945	Barrett	D16/335
D176,941	S	*	2/1956	Courtney	57/1 R
D178,154	S	*	6/1956	Stegeman	D16/335
D180,735	S	*	8/1957	Johnson	D16/336
D200,601	S	*	3/1965	Meyers	D16/335
D204,696	S	*	5/1966	Glass	D16/307
D205,314	S	*	7/1966	Boxer	D16/306
D218,572	S	*	9/1970	Simon	D16/325
D225,688	S	*	12/1972	Wick	D16/318
4,139,281	A	*	2/1979	Luttner	G02C 11/00 351/158
D367,288	S	*	2/1996	Francavilla	D16/335
D370,931	S	*	6/1996	Huang	D16/337
D371,568	S	*	7/1996	Nakabayashi	D16/335

D371,569	S	*	7/1996	Mikame	D16/335
D374,884	S	*	10/1996	Jannard	D16/335
D375,112	S	*	10/1996	Jannard	D16/335
D383,479	S	*	9/1997	Guo	D16/335
D392,992	S	*	3/1998	Freeman	D16/335
D394,447	S	*	5/1998	Khantzis	D16/334

(Continued)

OTHER PUBLICATIONS

Google Image Search: "animal eyeglass temple tips", [site visited Aug. 13, 2022]. Available from Internet, <URL: https://www.google.com/search?q=animal+eyeglass+temple+tips&sxsrf=ALiCzsYgb6-l2QAO49Xhucp0g8WD_s7dEg:1660418936642&source=lnms&tbm=isch&sa=X&ved=2ahUKewilsZXHxsT5AhXLGVkFHbi0CCYQ_AUoAnoECAEQBA&biw=1920&bih=937&dpr=1> (Year: 2022).*

(Continued)

Primary Examiner — Sanjeev Paul
(74) *Attorney, Agent, or Firm* — IPLA P.A.

(57) **CLAIM**

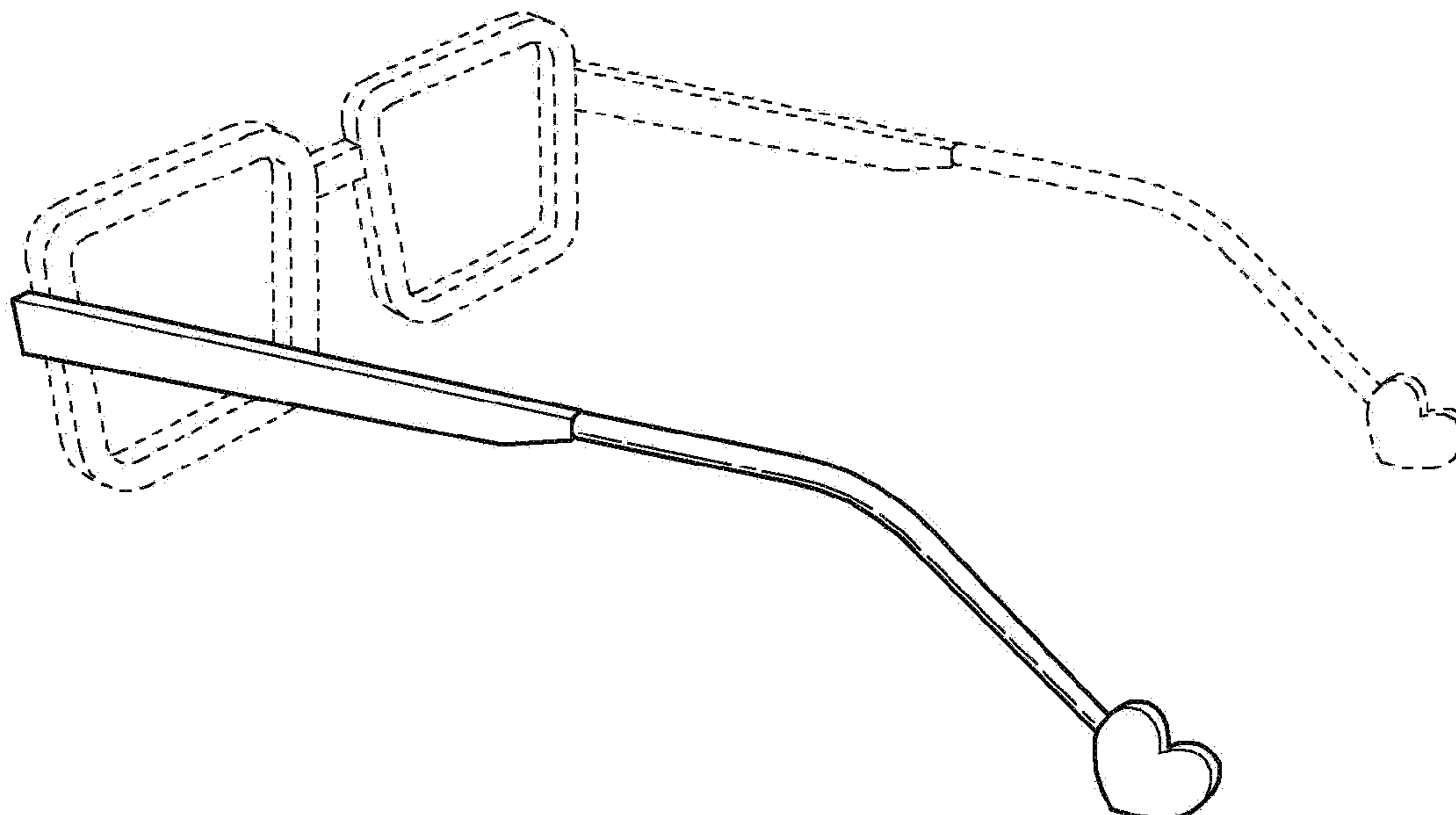
The ornamental design for an eyeglass temple with a temple tip carrying a heart, as shown and described.

DESCRIPTION

FIG. 1 is a perspective view of my new design showing an eyeglass temple with a temple tip carrying a heart; FIG. 2 is a front elevation view thereof; FIG. 3 is a top plan view thereof; FIG. 4 is a bottom plan view thereof; FIG. 5 is a left side elevation view thereof; FIG. 6 is a right side elevation view thereof; FIG. 7 is a rear elevation view thereof; and, FIG. 8 is another perspective view of my new design showing an eyeglass temple with a temple tip carrying a heart.

The broken lines shown in the drawings are included for the purpose of illustrating environmental subject matter and form no part of the claimed design.

1 Claim, 2 Drawing Sheets



(56)

References Cited

U.S. PATENT DOCUMENTS

D417,462	S *	12/1999	Chang	D16/338
D449,640	S *	10/2001	Grundy	D16/337
D629,445	S *	12/2010	Agnoli	D16/335
D751,616	S *	3/2016	McKinish	D16/101
D783,707	S *	4/2017	Uhm	D16/335
D839,340	S *	1/2019	Zargari	D16/338
D862,569	S *	10/2019	Huang	D16/335
D877,237	S *	3/2020	Bhatia	D16/335
D900,209	S *	10/2020	Marzano	D16/341
D904,503	S *	12/2020	Lee	D16/335
D939,016	S *	12/2021	Billings	D16/330
2015/0146157	A1 *	5/2015	Tipp	G02C 11/02 351/52
2018/0267337	A1 *	9/2018	Walker	G02C 5/02
2022/0187619	A1 *	6/2022	Safdieh	G02C 3/02
2022/0244574	A1 *	8/2022	Bailey	G02C 1/06

OTHER PUBLICATIONS

Google Image Search: “animal eyeglass temples”, [site visited Aug. 13, 2022]. Available from Internet, <URL: https://www.google.com/search?q=animal+eyeglass+temples&sxsrf=ALiCzsZGEw3qnviu7gIhMqYXhYlnU96cJA:1660418625764&source=lnms&tbm=isch&sa=X&ved=2ahUKewjFrfeYxcT5AhVVEIkFHRkVAikQ_AUoAnoECAEQBA&biw=1920&bih=937&dpr=1> (Year: 2022).*

* cited by examiner

FIG. 1

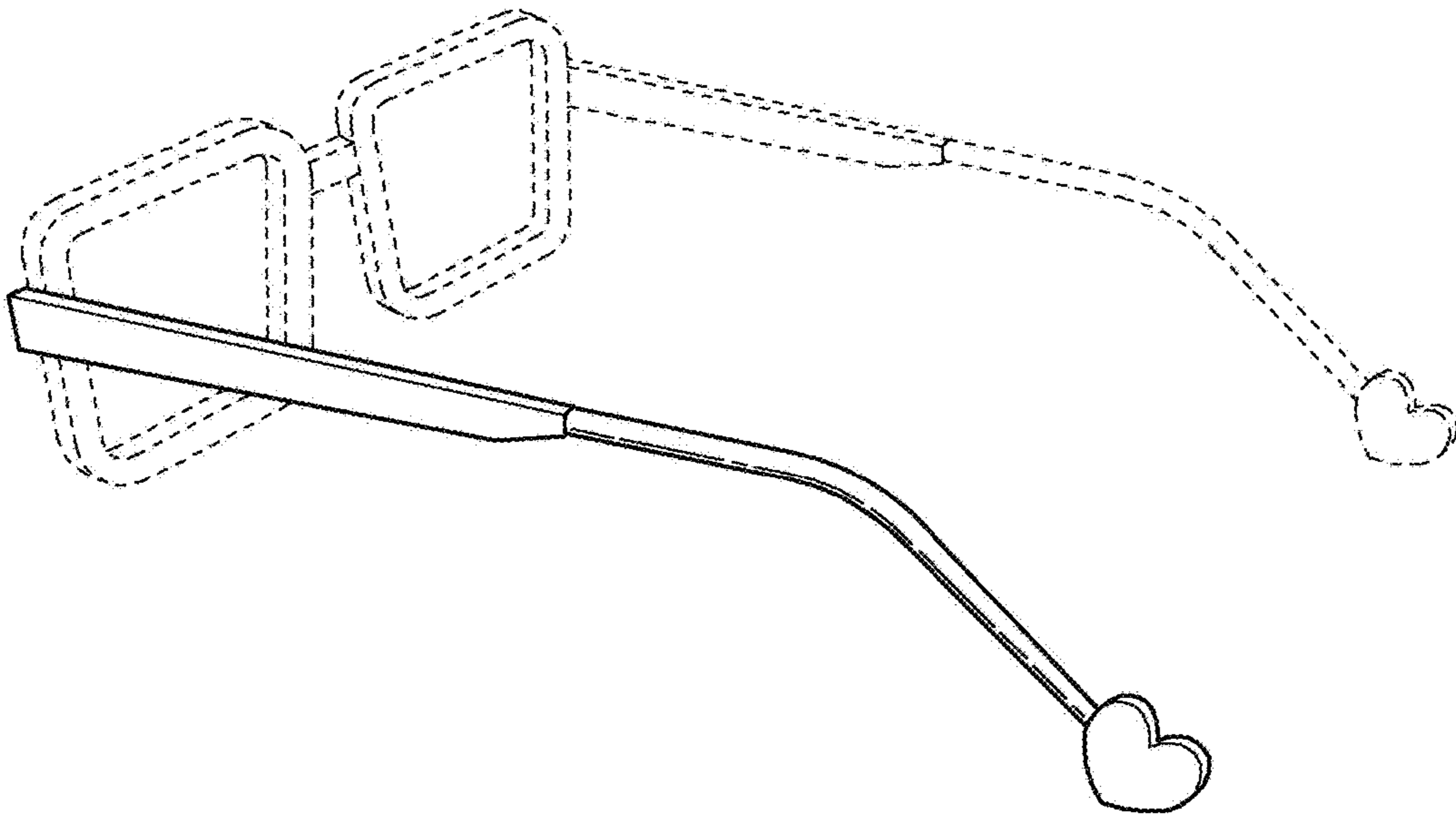


FIG. 3

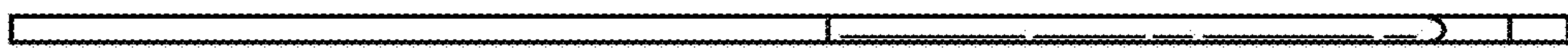


FIG. 5

FIG. 2

FIG. 6

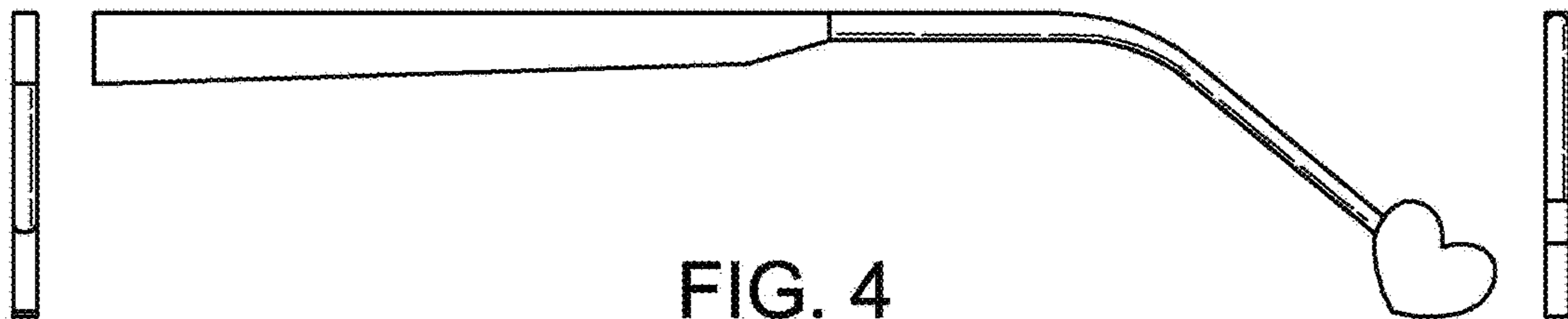


FIG. 4

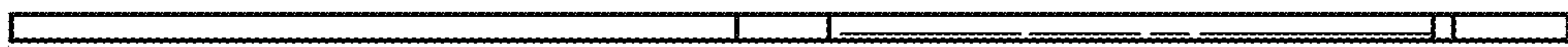


FIG. 7

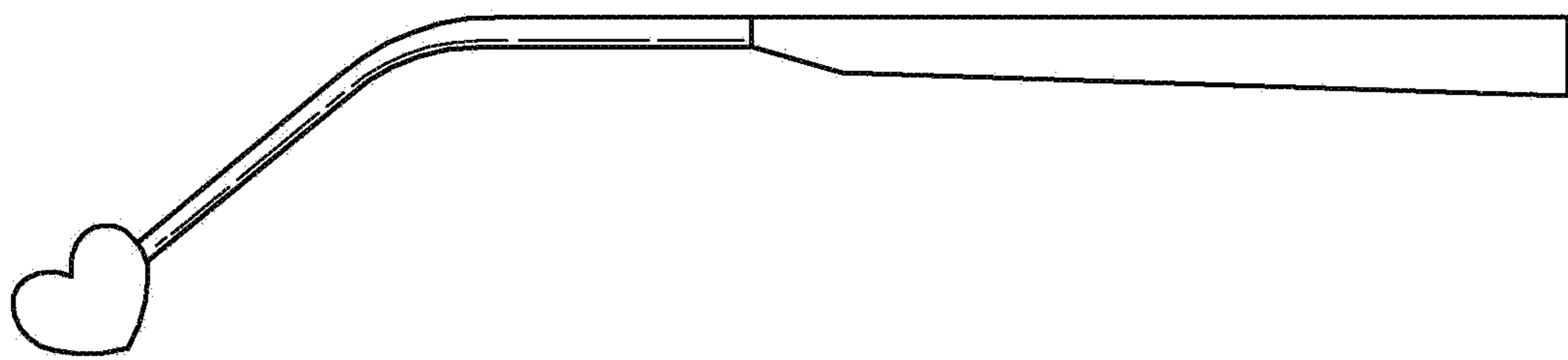


FIG. 8

