



US00D980312S

(12) **United States Design Patent**
Cowart et al.

(10) **Patent No.:** **US D980,312 S**
(45) **Date of Patent:** **** Mar. 7, 2023**

(54) **EYE SHIELD**

(71) Applicant: **DeRoyal Industries, Inc.**, Powell, TN (US)

(72) Inventors: **Walter C. Cowart**, Blaine, TN (US);
Ethan Edward Valentine, Knoxville, TN (US)

(73) Assignee: **DeRoyal Industries, Inc.**, Powell, TN (US)

(**) Term: **15 Years**

(21) Appl. No.: **29/776,613**

(22) Filed: **Mar. 31, 2021**

(51) **LOC (14) Cl.** **16-06**

(52) **U.S. Cl.**
USPC **D16/314**

(58) **Field of Classification Search**
USPC D16/300, 314, 315, 325, 341;
D24/110.1, 110.2, 110.3; D29/102, 104,
D29/105, 107, 108
CPC G02C 1/00; G02C 1/04; G02C 2200/12;
G02C 1/08
See application file for complete search history.

(56) **References Cited**

U.S. PATENT DOCUMENTS

- 4,822,158 A 4/1989 Porsche
- D347,017 S * 5/1994 Bolle D16/314
- D354,068 S * 1/1995 Canavan D16/313
- 5,765,223 A * 6/1998 McCausland A41D 13/1184
2/427
- D428,620 S * 7/2000 Maturaporn D16/329
- 6,533,412 B1 3/2003 Wang et al.
- 6,964,067 B1 11/2005 Hartman
- D555,701 S * 11/2007 Bruck D16/311
- 7,490,933 B2 * 2/2009 Bruck G02C 1/04
351/41
- RE41,097 E * 2/2010 Bruck D16/311

- 7,661,815 B2 2/2010 Lipawsky
- 8,992,007 B2 3/2015 Li
- 10,517,763 B2 * 12/2019 Quinn B65D 83/0805
- 10,543,955 B1 1/2020 Turturro et al.
- D880,779 S * 4/2020 Sato D29/110
- 10,702,345 B2 7/2020 Saito et al.

(Continued)

FOREIGN PATENT DOCUMENTS

- GB 9000358684-0001 * 6/2005
- GB 6196589 * 3/2022

(Continued)

OTHER PUBLICATIONS

Amazon Bio Mask Feather Eye Protection, earliest pictured Oct. 21, 2020, [online], [site visited Dec. 22, 2022]. Available via Internet, <URL:https://www.amazon.com/dp/B07MPCMCYL?ref_=cm_sw_r_cp_ud_dp_K1SM0VA3Z9A5VB6FQE9N> (Year: 2020).*

(Continued)

Primary Examiner — Sanjeev Paul
Assistant Examiner — Breana Copeland
(74) *Attorney, Agent, or Firm* — Luedeka Neely Group, PC

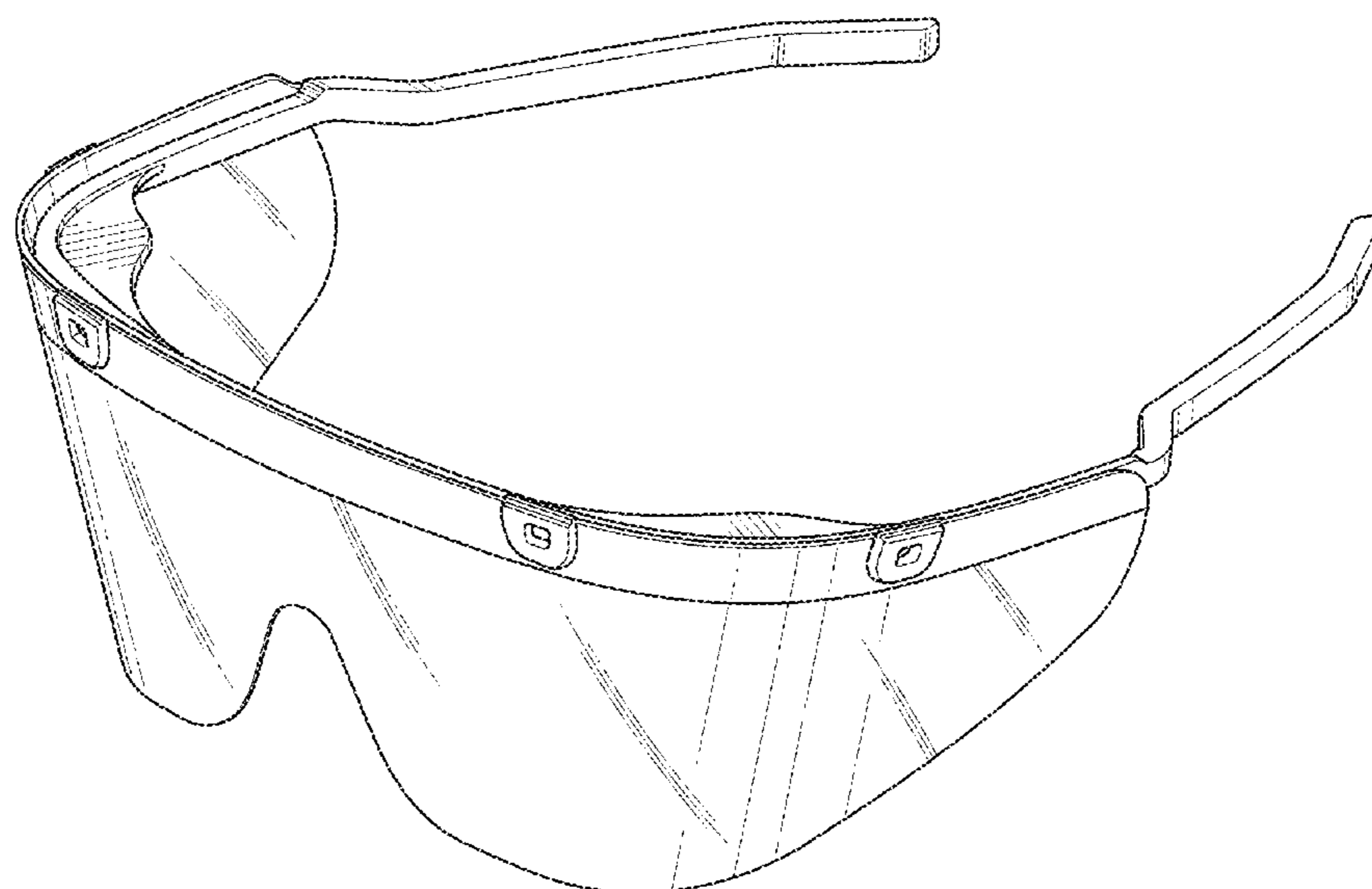
(57) **CLAIM**

The ornamental design for an eye shield, as shown and described.

DESCRIPTION

FIG. 1 is a perspective view of an eye shield of our new design.
FIG. 2 is a frontal view thereof.
FIG. 3 is a rear view thereof.
FIG. 4 is a top view thereof.
FIG. 5 is a bottom view thereof.
FIG. 6 is a left side view thereof; and,
FIG. 7 is a right side view thereof.

1 Claim, 5 Drawing Sheets



(56)

References Cited

U.S. PATENT DOCUMENTS

2009/0188015	A1	7/2009	Grad et al.	
2017/0239089	A1*	8/2017	Quinn	A61F 9/025
2018/0228652	A1*	8/2018	Ohura	A61F 9/027
2022/0113560	A1*	4/2022	Cowart	G02C 9/04
2022/0133541	A1*	5/2022	Cowart	A61F 9/025
				2/450

FOREIGN PATENT DOCUMENTS

IN	366993-001-0001	*	10/2022
KR	301092847.0000	*	1/2021

OTHER PUBLICATIONS

National Surgical Corp Clear Choice Eye Shields, earliest pictured Mar. 25, 2020, [online], [site visited Dec. 22, 2022]. Available via Internet, <URL:https://nationalsurgical.com.au/product/clear-choice-eye-shield-frames/> (Year: 2020).*

DeRoyal SPEyes Eye ShieldZ, earliest pictured Feb. 26, 2021, [online], [site visited Dec. 22, 2022]. Available via Internet, <URL:https://sfdev.deroyal.com/products/surgical/surgical-item/!/ac-surgical-speyeseyeshieldz> (Year: 2021).*

Google Search, [online], [site visited Dec. 22, 2022]. Available via Internet, <URL:https://www.google.com/search?q=+eye+shields&tbm=isch&ved=2ahUKEwik6oHz55n8AhUvD1kFHbz8DloQ2-cCegQIABAA&oq=+eye+shields&gs_l%E2%80%A6> (Year: 2022).*

* cited by examiner

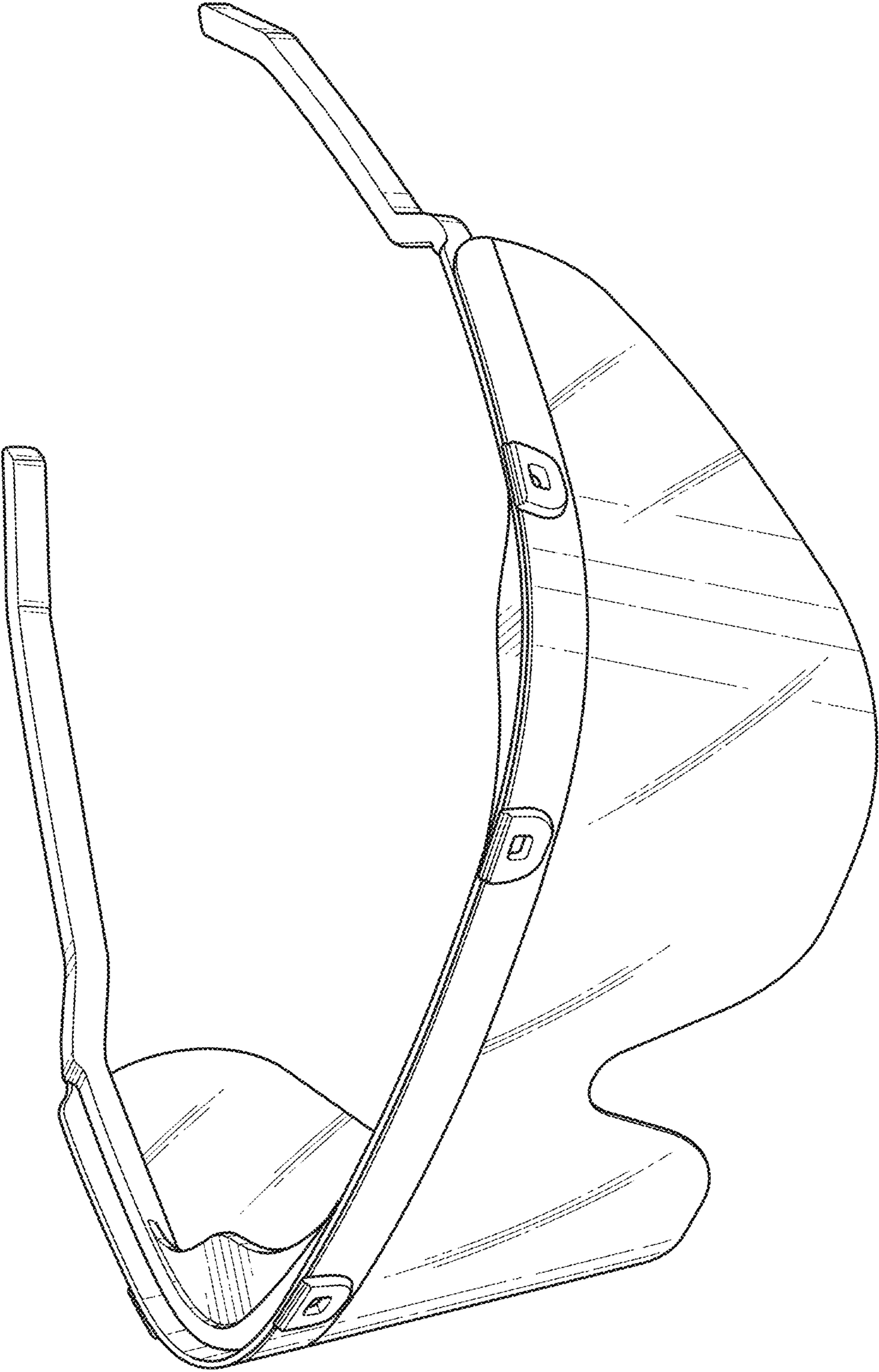


FIG. 1

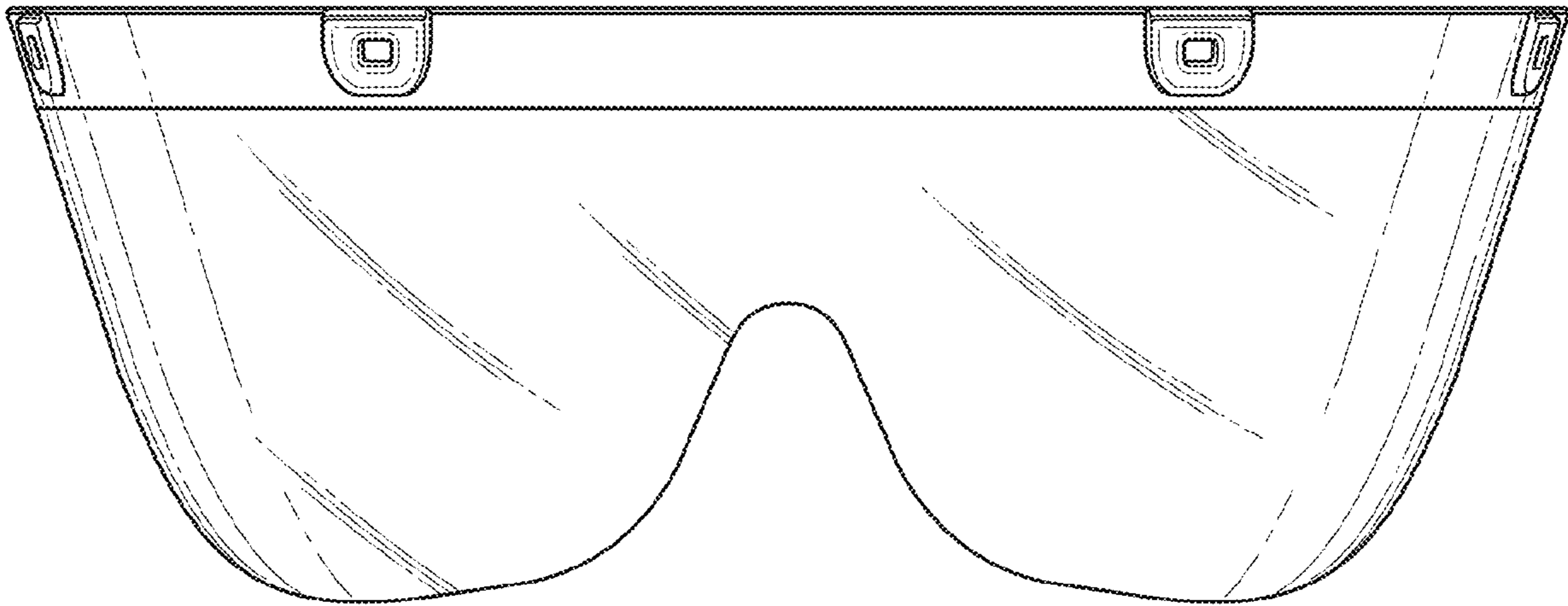


FIG. 2

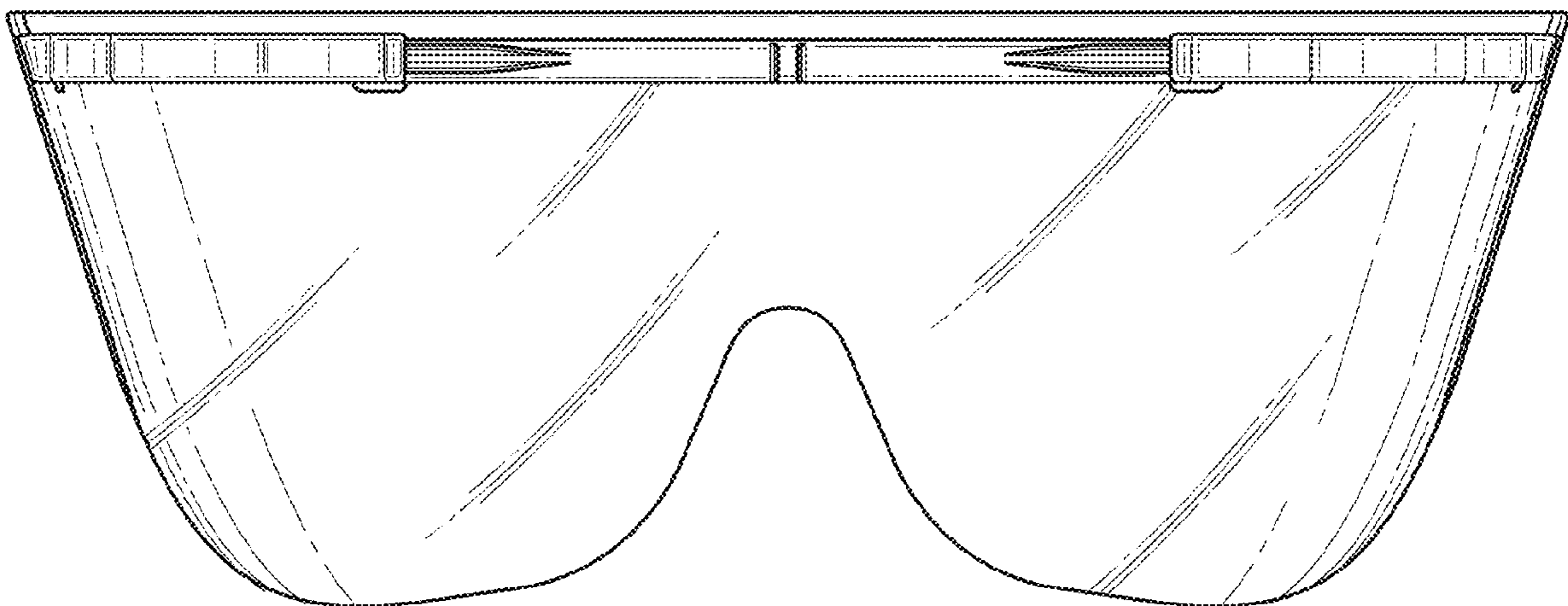


FIG. 3

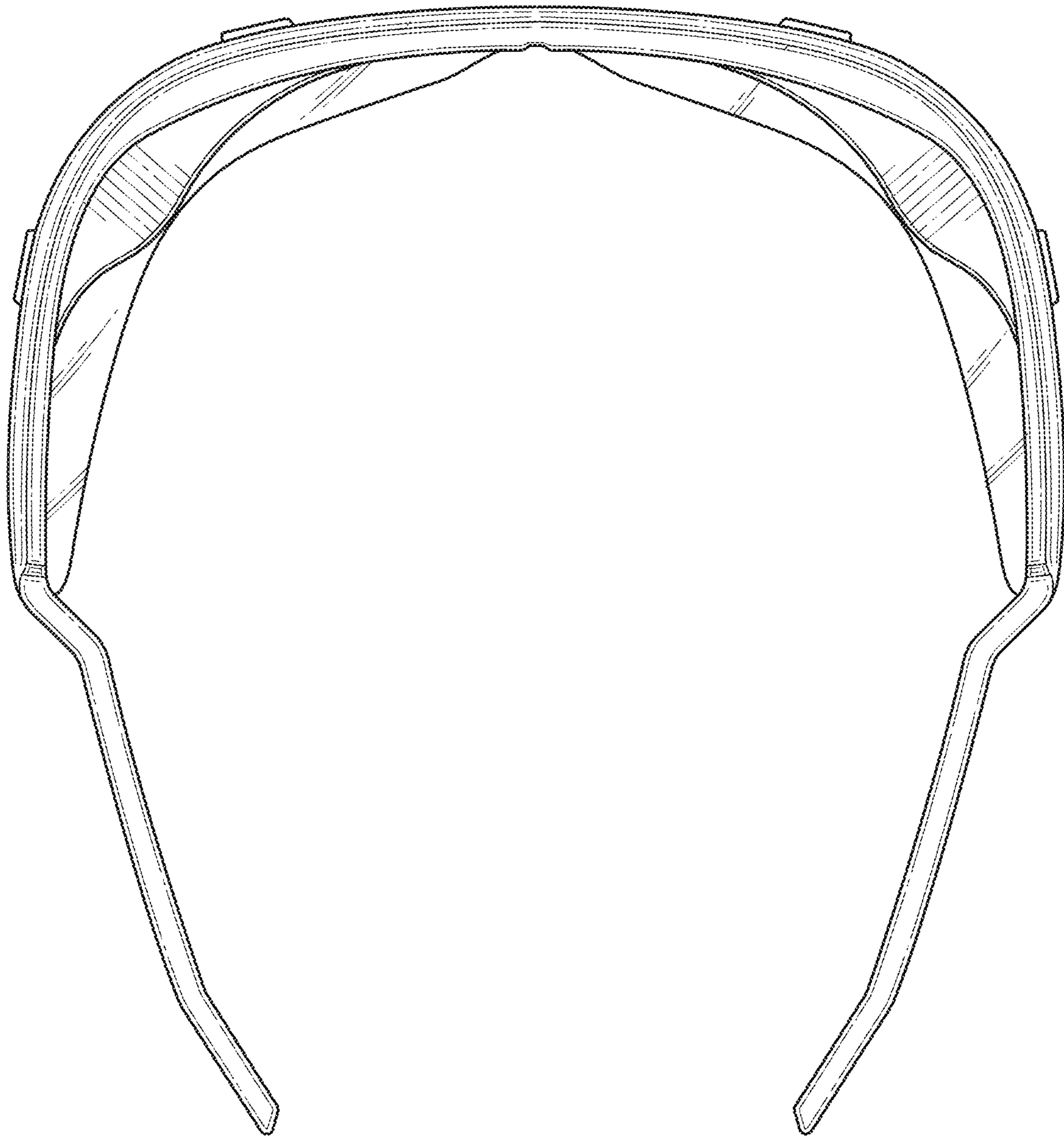


FIG. 4

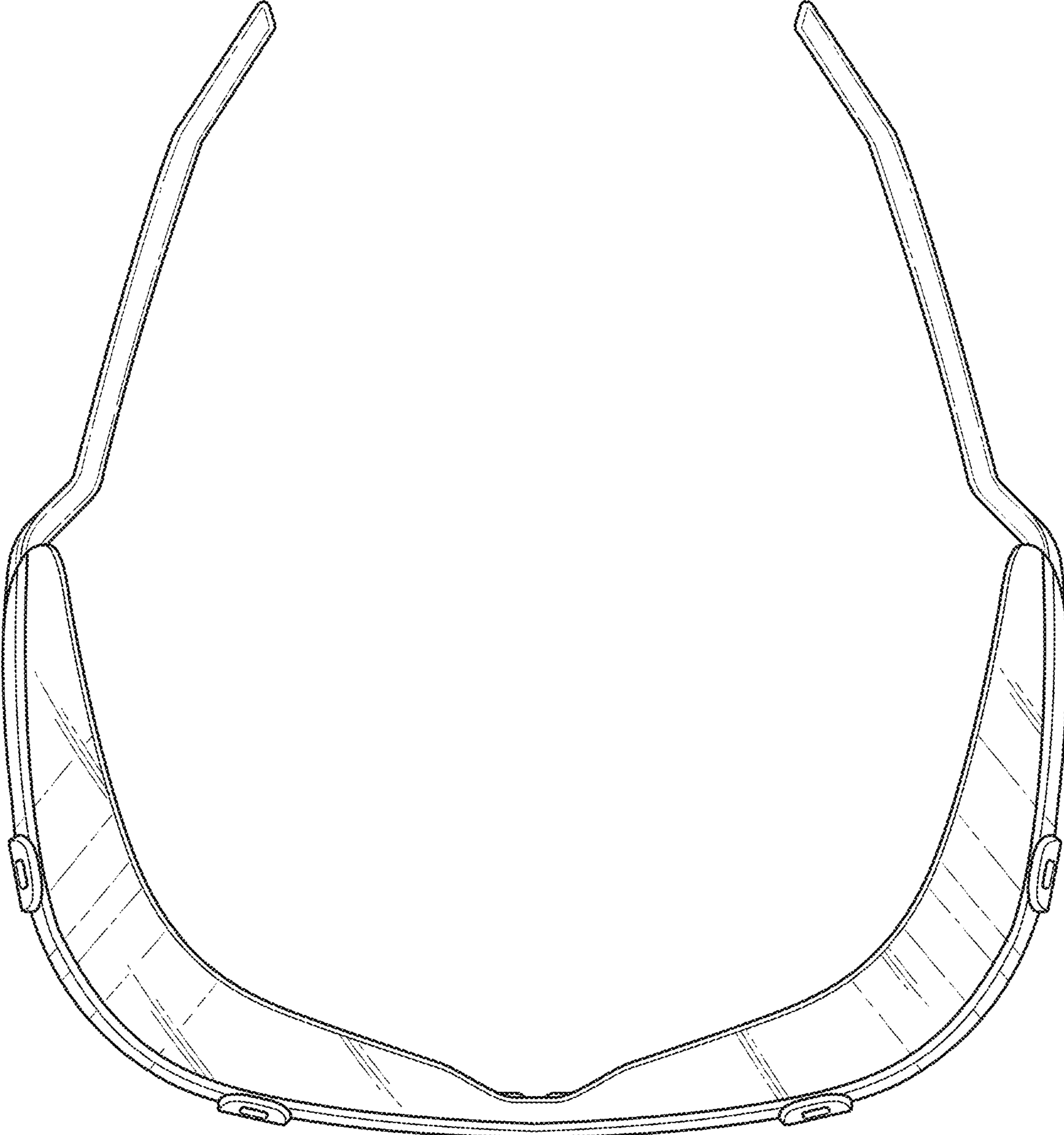


FIG. 5

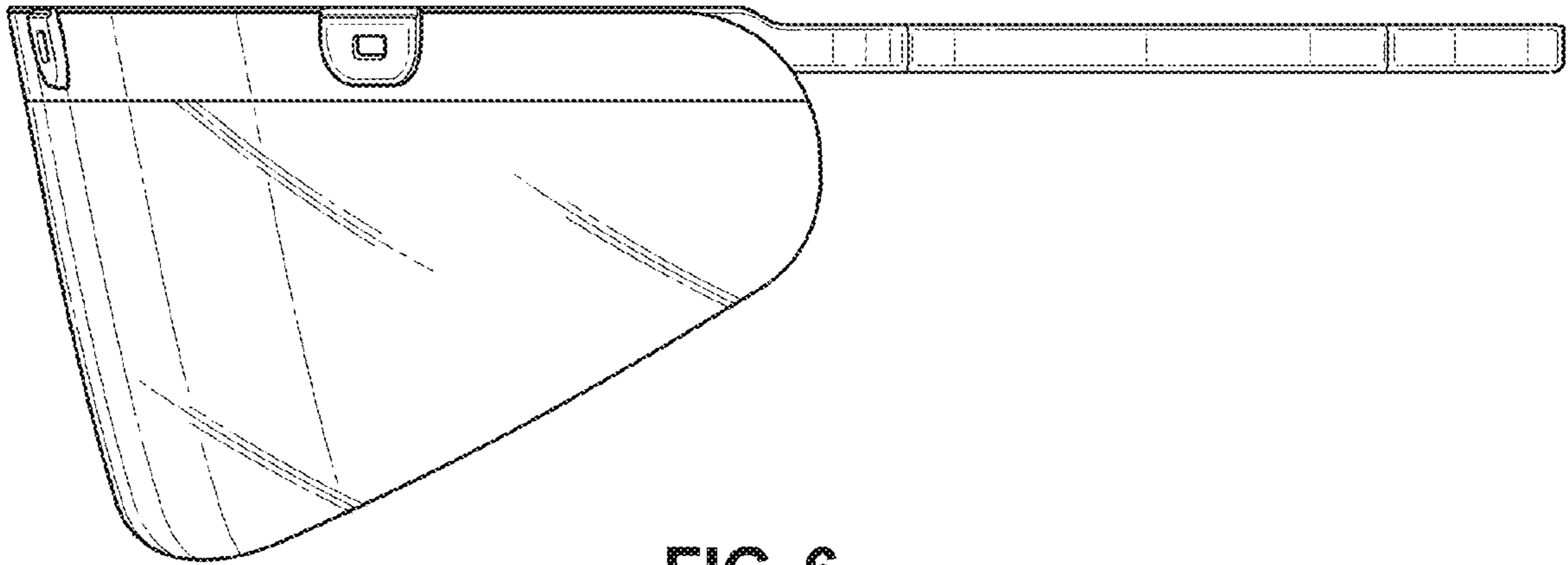


FIG. 6

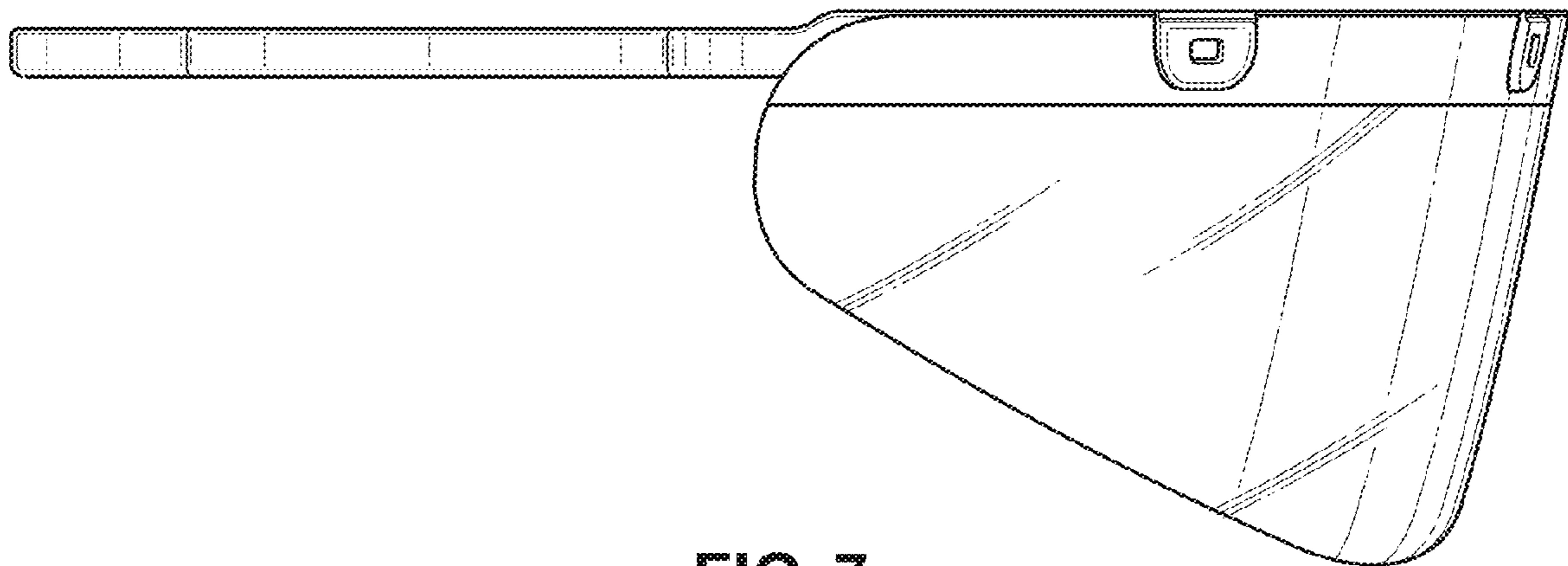


FIG. 7