



US00D980308S

(12) **United States Design Patent**
Wang et al.

(10) **Patent No.:** **US D980,308 S**
(45) **Date of Patent:** **** Mar. 7, 2023**

(54) **MOTORIZED CAMERA SLIDER**

FOREIGN PATENT DOCUMENTS

(71) Applicant: **SHENZHEN XINGYINGDA INDUSTRY CO., LTD.**, Shenzhen (CN)

GB 6225197 * 9/2022

(72) Inventors: **Jun Wang**, Shenzhen (CN); **Yan Ke**, Shenzhen (CN)

OTHER PUBLICATIONS

Filmcity SL-2 DSLR Video Camera Slider. Online, published date Apr. 20, 2016. Retrieved on Oct. 3, 2022 from URL: <https://www.youtube.com/watch?v=qk77LUvi134&t=2s>.*

(73) Assignee: **SHENZHEN XINGYINGDA INDUSTRY CO., LTD.**, Shenzhen (CN)

(Continued)

Primary Examiner — Omeed Agilee

(74) *Attorney, Agent, or Firm* — ScienBiziP, P.C.

(**) Term: **15 Years**

(57) **CLAIM**

The ornamental design for a motorized camera slider, as shown and described.

(21) Appl. No.: **29/849,481**

DESCRIPTION

(22) Filed: **Aug. 11, 2022**

(51) **LOC (14) Cl.** **16-05**

(52) **U.S. Cl.**
USPC **D16/242**

(58) **Field of Classification Search**
USPC D16/200, 204, 208, 213–219, 235, D16/237–250; D14/209, 217, 224, D14/250–253, 345, 440, 449; D8/300–303, 305, 363, 373, 394
CPC G03B 17/02; G03B 17/04; G03B 17/14; G03B 21/20; G03B 21/20666; G03B 15/041–0436; F16M 11/32
See application file for complete search history.

FIG. 1 is a front, right and top perspective view of a motorized camera slider, showing our design.
FIG. 2 is a rear, left and bottom perspective view thereof.
FIG. 3 is a front elevation view thereof.
FIG. 4 is a rear elevation view thereof.
FIG. 5 is a left side elevation view thereof.
FIG. 6 is a right side elevation view thereof.
FIG. 7 is a top plan view thereof.
FIG. 8 is a bottom plan view thereof.
FIG. 9 is a partial enlarged view of an area labeled 9 in FIG. 1.
FIG. 10 is a partial enlarged view of an area labeled 10 in FIG. 1; and,
FIG. 11 is a partial enlarged view of an area labeled 11 in FIG. 2.

(56) **References Cited**

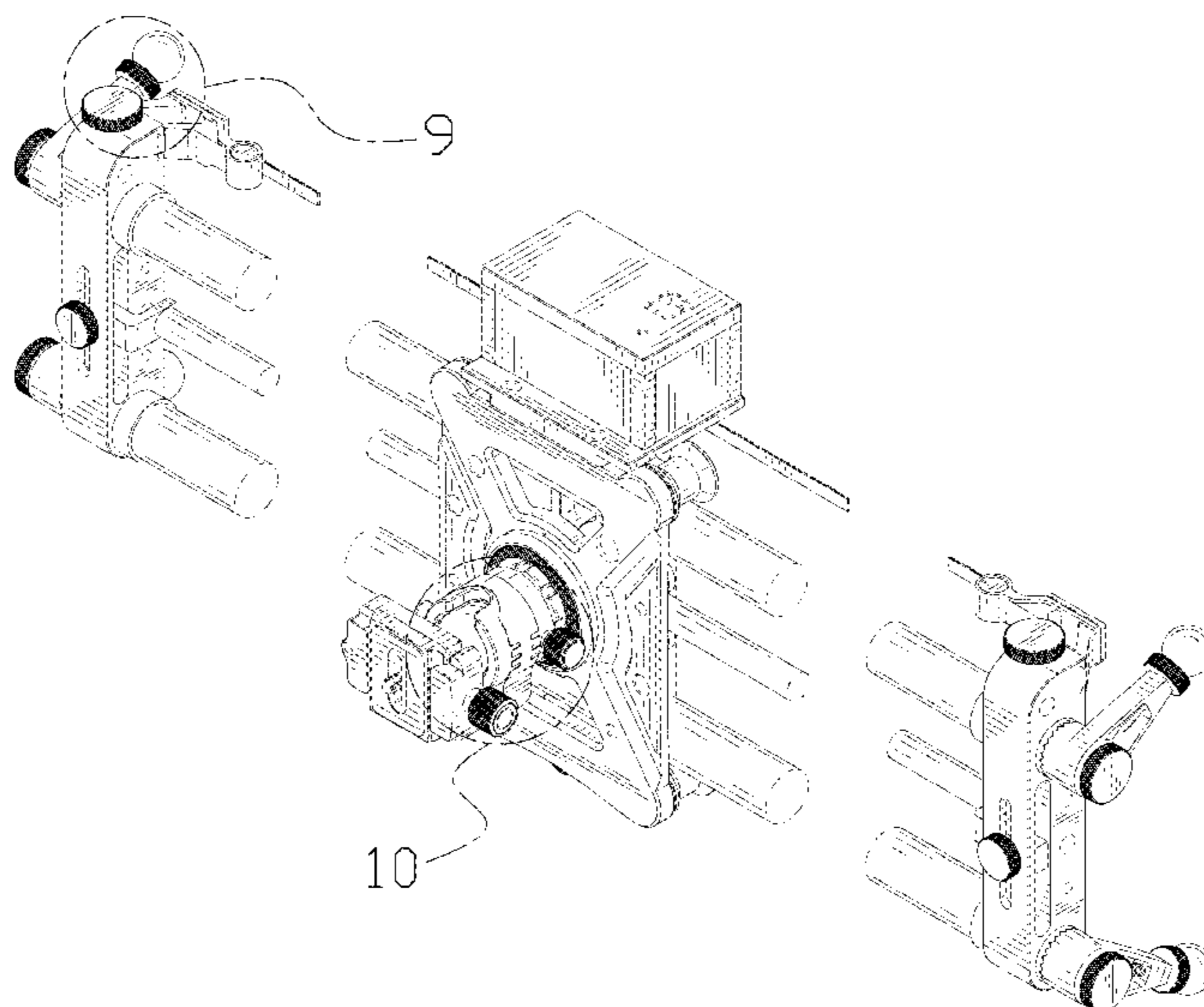
U.S. PATENT DOCUMENTS

D570,396 S	*	6/2008	Foddis	D16/242
D712,906 S		9/2014	Wengreen et al.		
D742,386 S	*	11/2015	Rost	D14/447
D754,242 S	*	4/2016	Wang	D16/242
D785,698 S	*	5/2017	Wang	D16/242
D795,328 S	*	8/2017	Martin	D16/242

(Continued)

The dot-dash lines depict symbolic break lines. The areas between the break lines form no part of the claimed design. The dash lines in the drawings depict portions of the motorized camera slider that form no part of the claimed design. In addition, the short dash-long dash lines in FIGS. 1-2 and 9-11 depict the boundaries of the enlarged views that form no part of the claimed design.

1 Claim, 11 Drawing Sheets



(56)

References Cited

U.S. PATENT DOCUMENTS

D798,941 S * 10/2017 Zheng D16/242
D798,942 S * 10/2017 Zheng D16/242
D841,075 S * 2/2019 Martin D16/242
D882,671 S * 4/2020 Yang D16/242
2010/0008661 A1* 1/2010 Wood G03B 17/561
396/428
2015/0288858 A1* 10/2015 Fee F16M 11/041
348/376
2017/0023849 A1* 1/2017 Chapman F16M 11/2007
2017/0205688 A1* 7/2017 Chapman F16M 11/18
2018/0017849 A1* 1/2018 Wood F16M 11/16

OTHER PUBLICATIONS

Neewer 31,5"/80cm Motorized Camera Slider, 2.4G Wireless Control Carbon Fiber Dolly Rail Slider, Supports Video Mode, Time-Lapse Photography, Horizontal Tracking and 120° Panoramic Shooting (VS-80WC). Online, published date Aug. 27, 2021. Retrieved on Oct. 3, 2022 from URL: <https://www.amazon.com/Neewer-Motorized-Time->*

Inventors', Jun Wang and Yan Ke, publication on Amazon dated Aug. 12, 2021. Please refer to <https://www.amazon.com/dp/B09CGZ67G6?th=1>, the Declaration, the Sales Authorization Certificate, the Business License and its translation in English, and the Proof of Identity of Legal Representative.

* cited by examiner

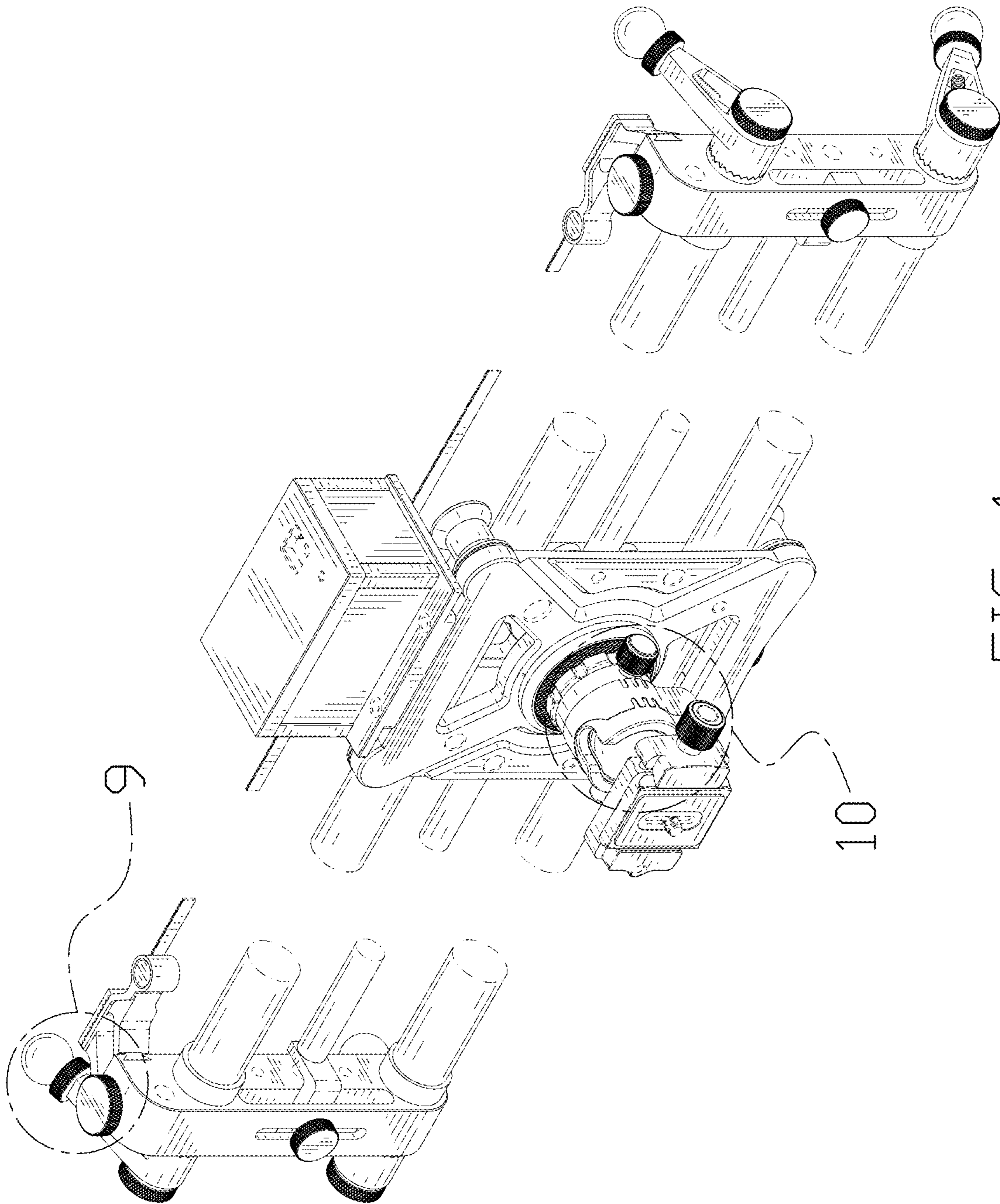


FIG. 1

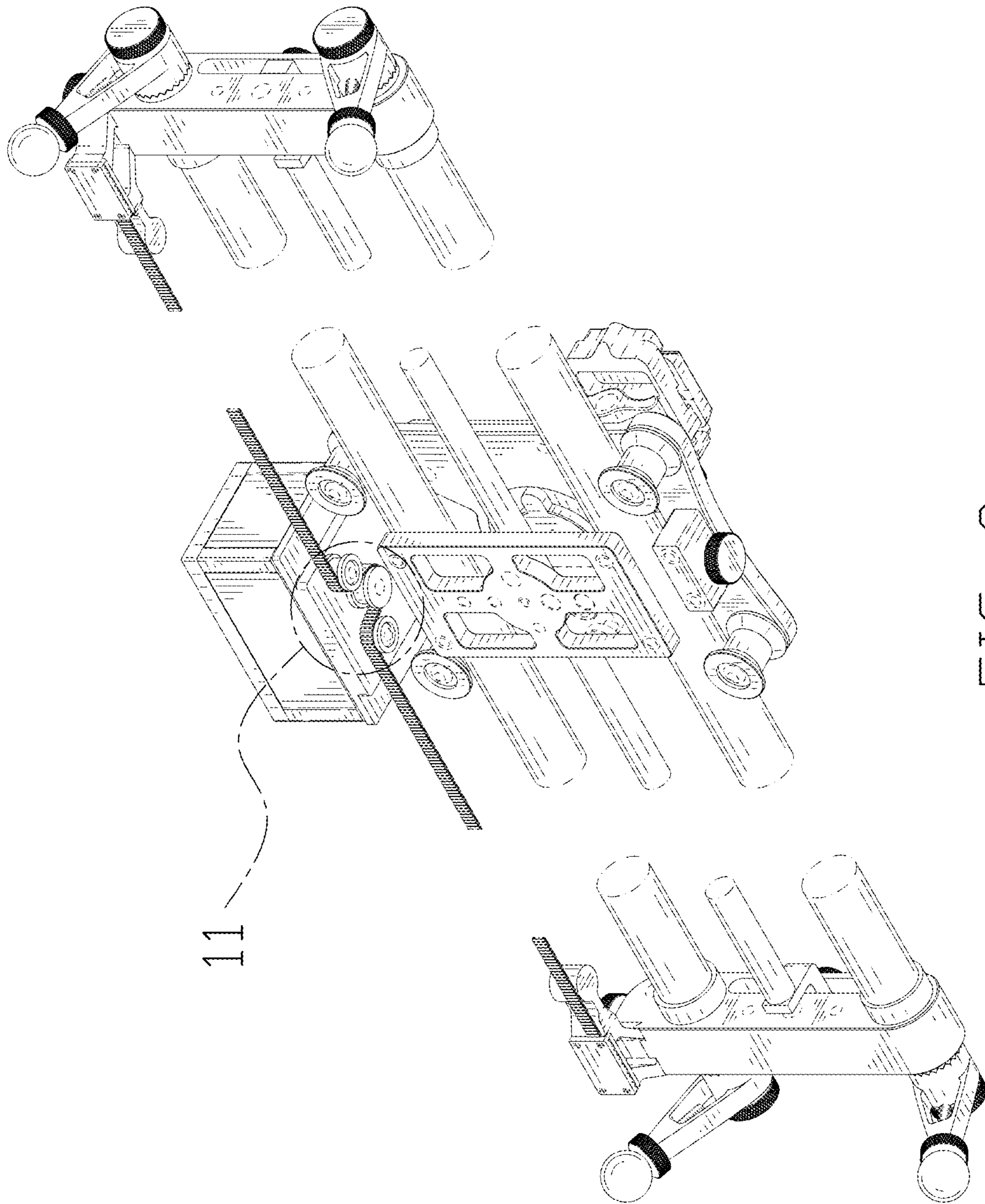


FIG. 2

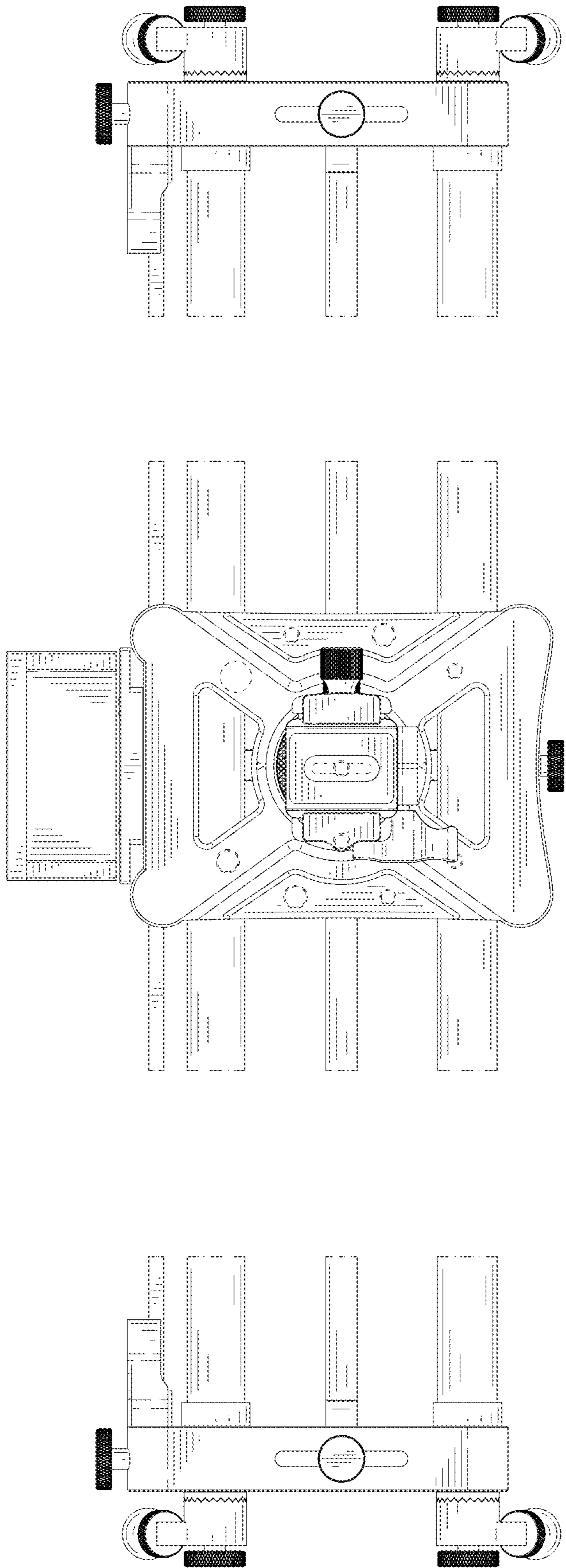


FIG. 3

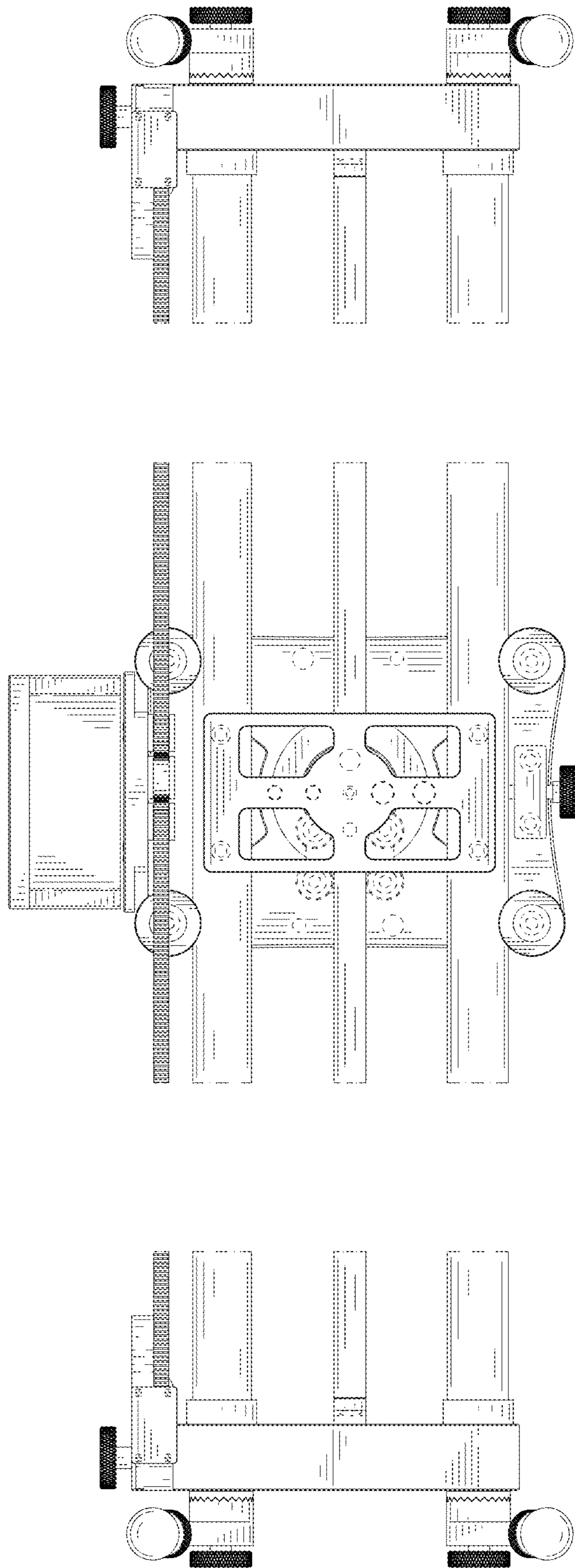


FIG. 4

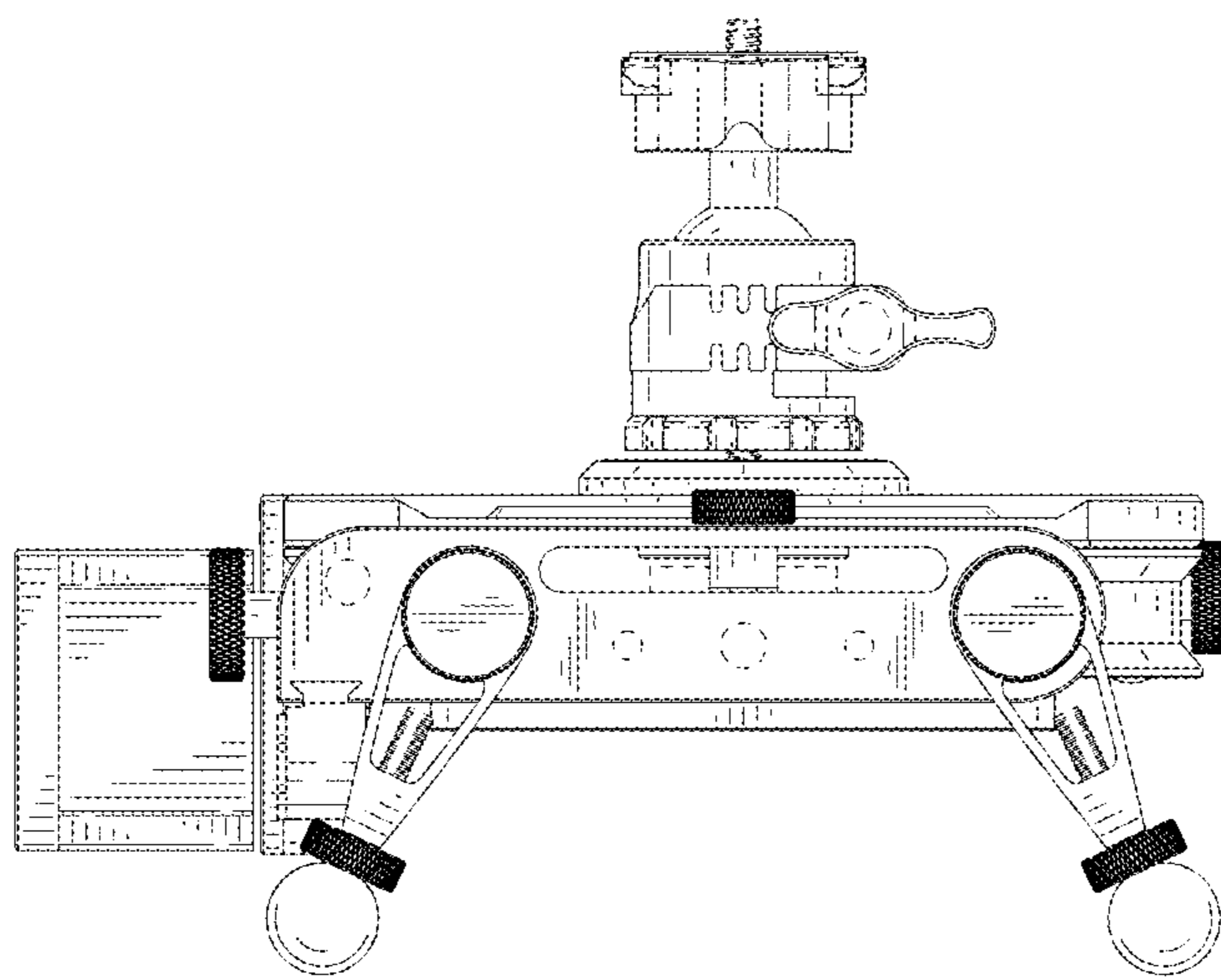


FIG. 5

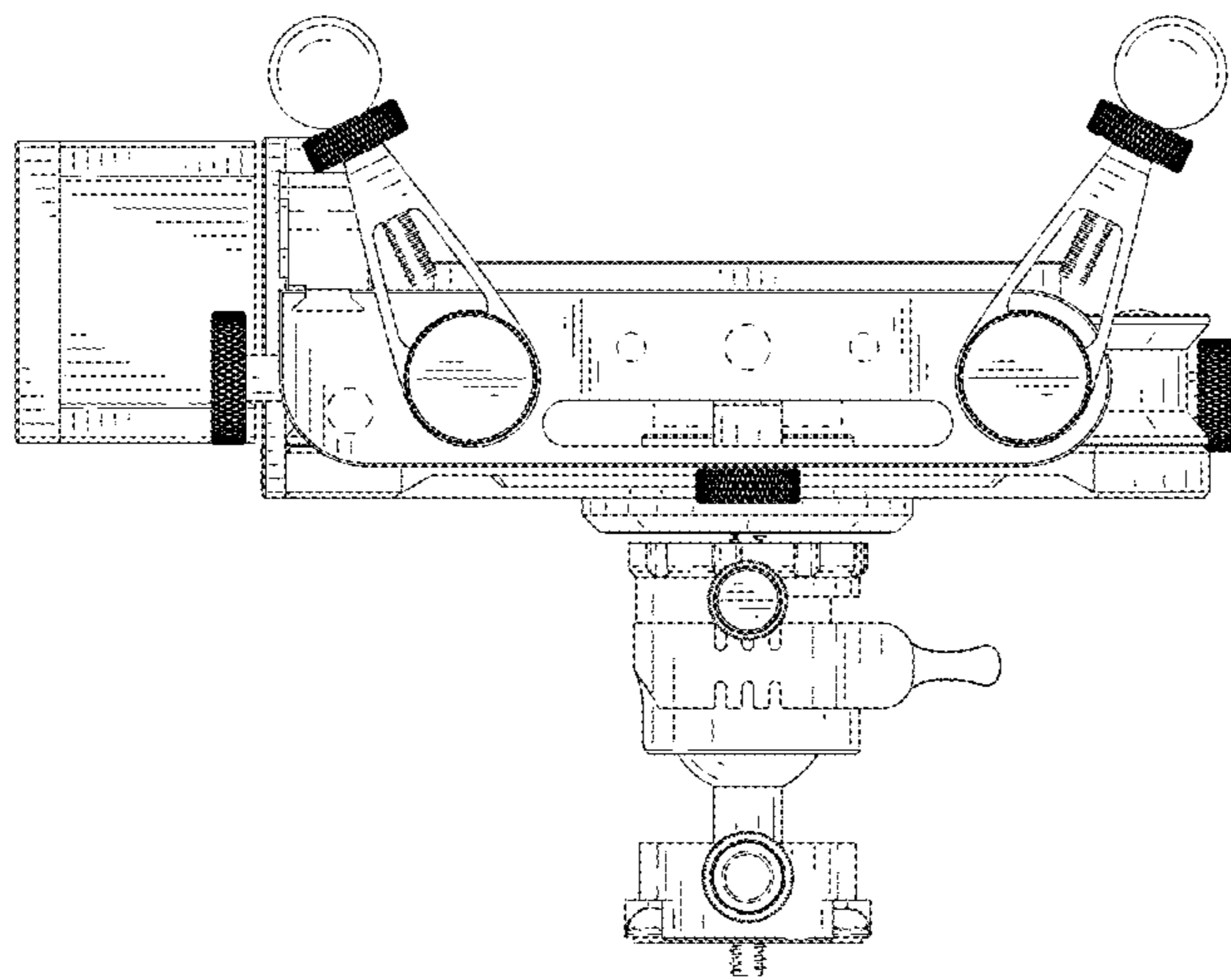


FIG. 6

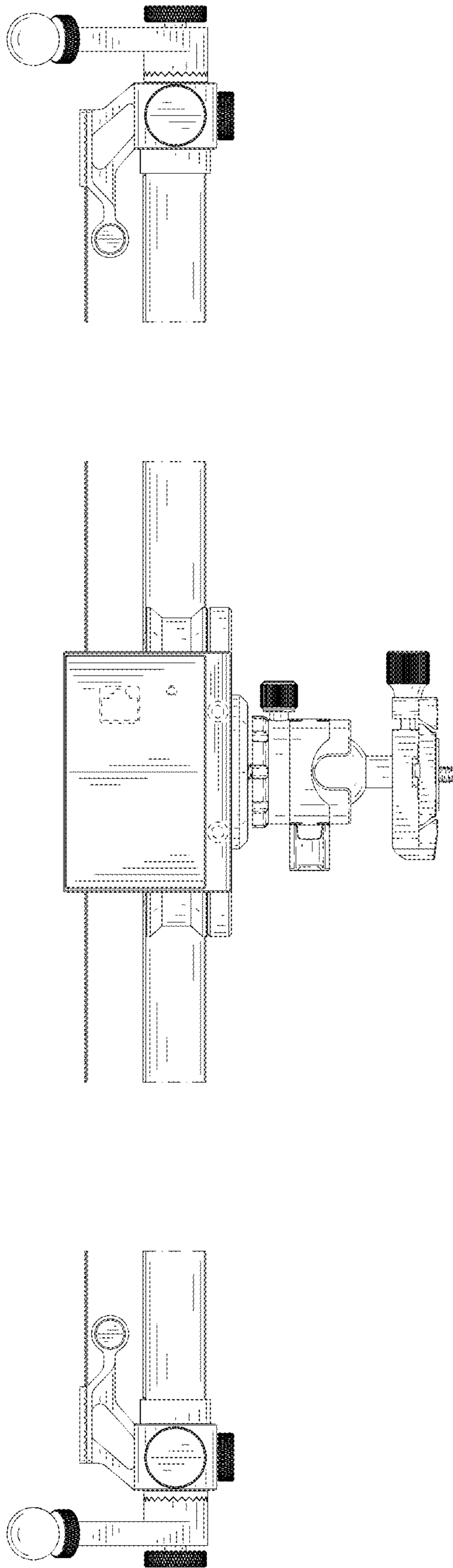


FIG. 7

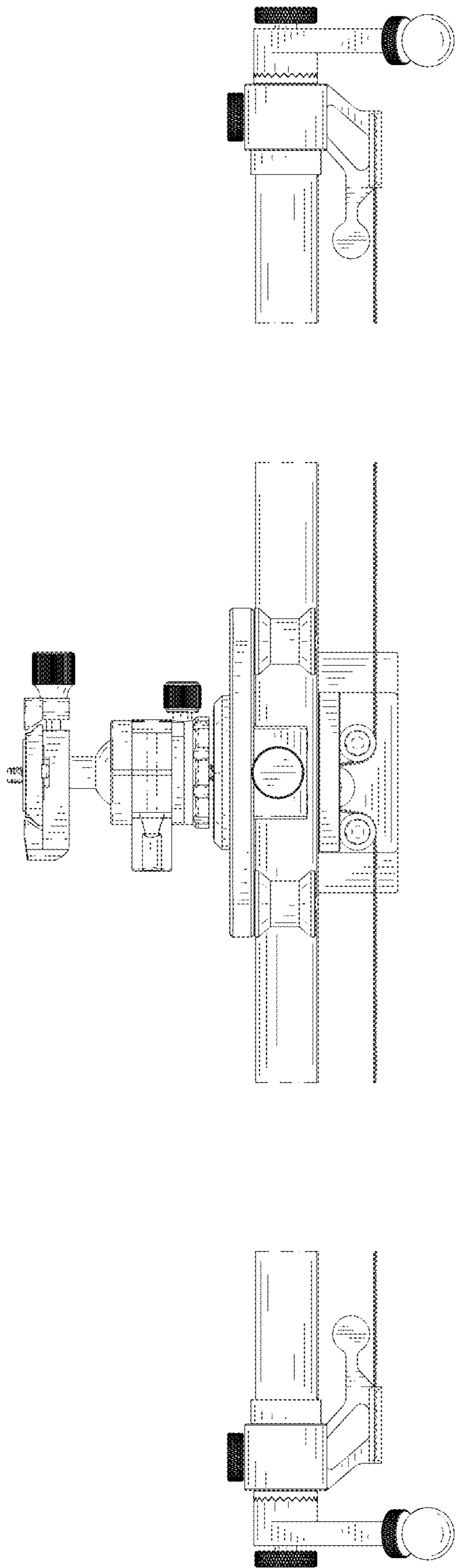


FIG. 8

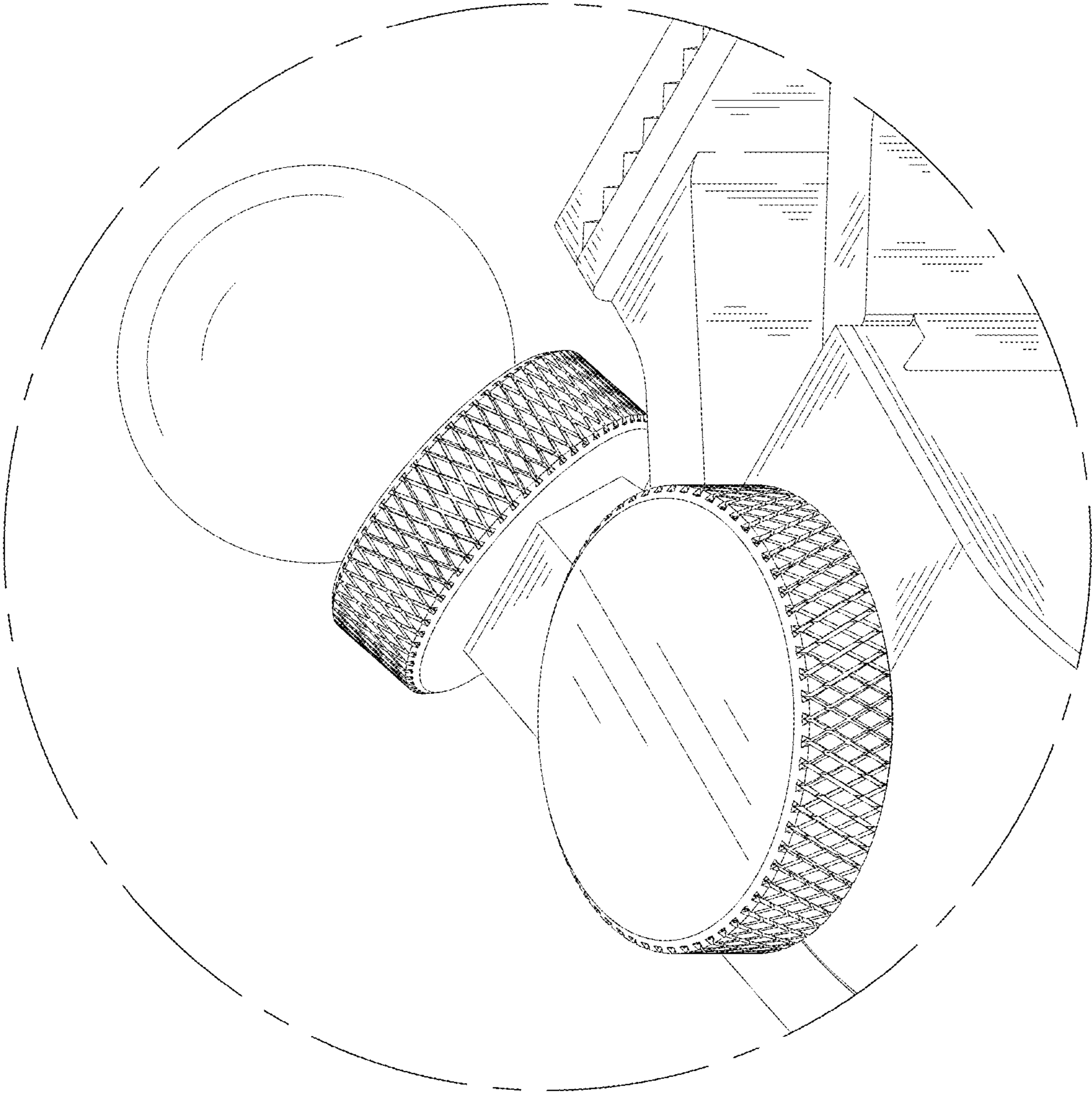


FIG. 9

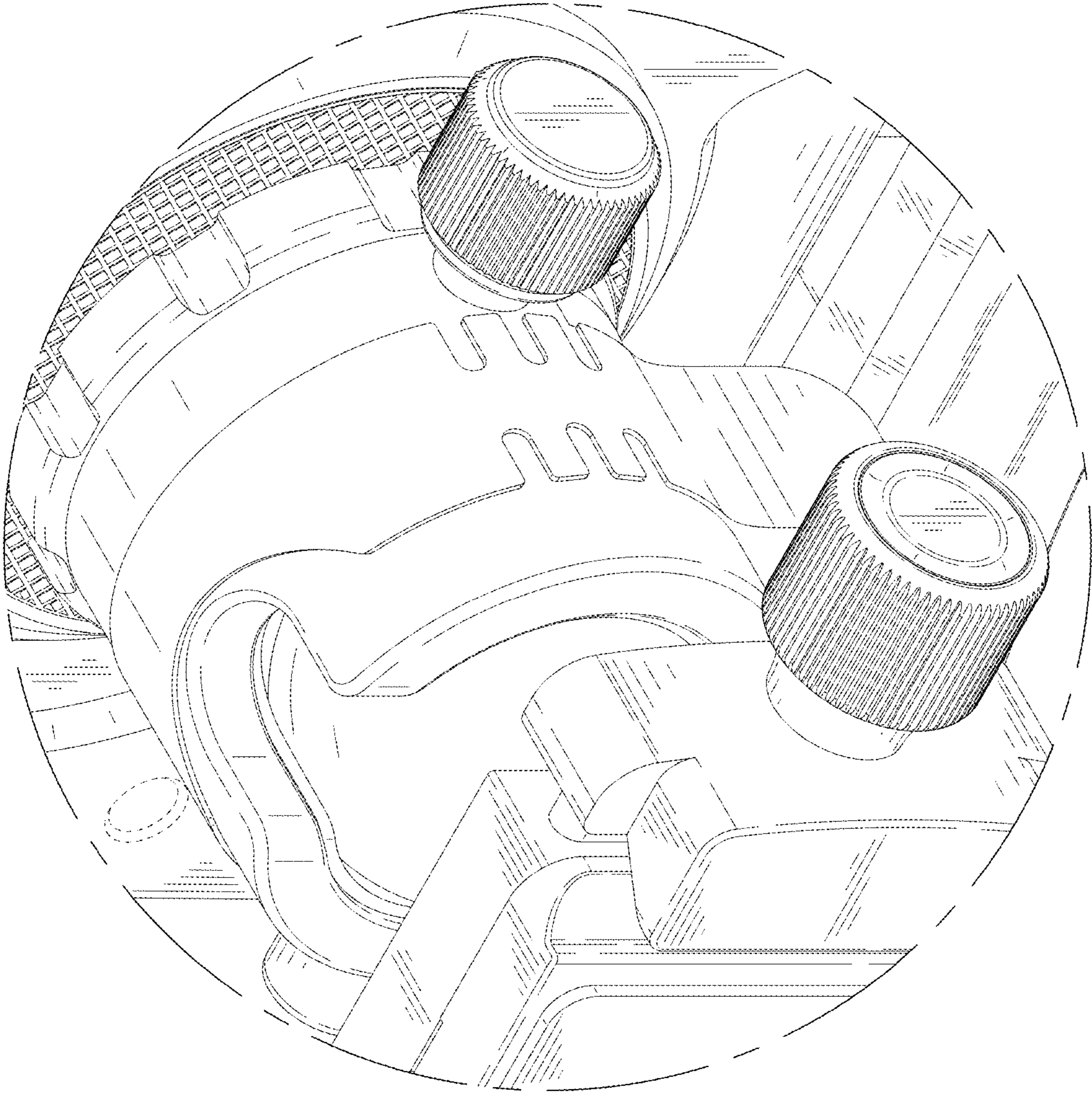


FIG. 10

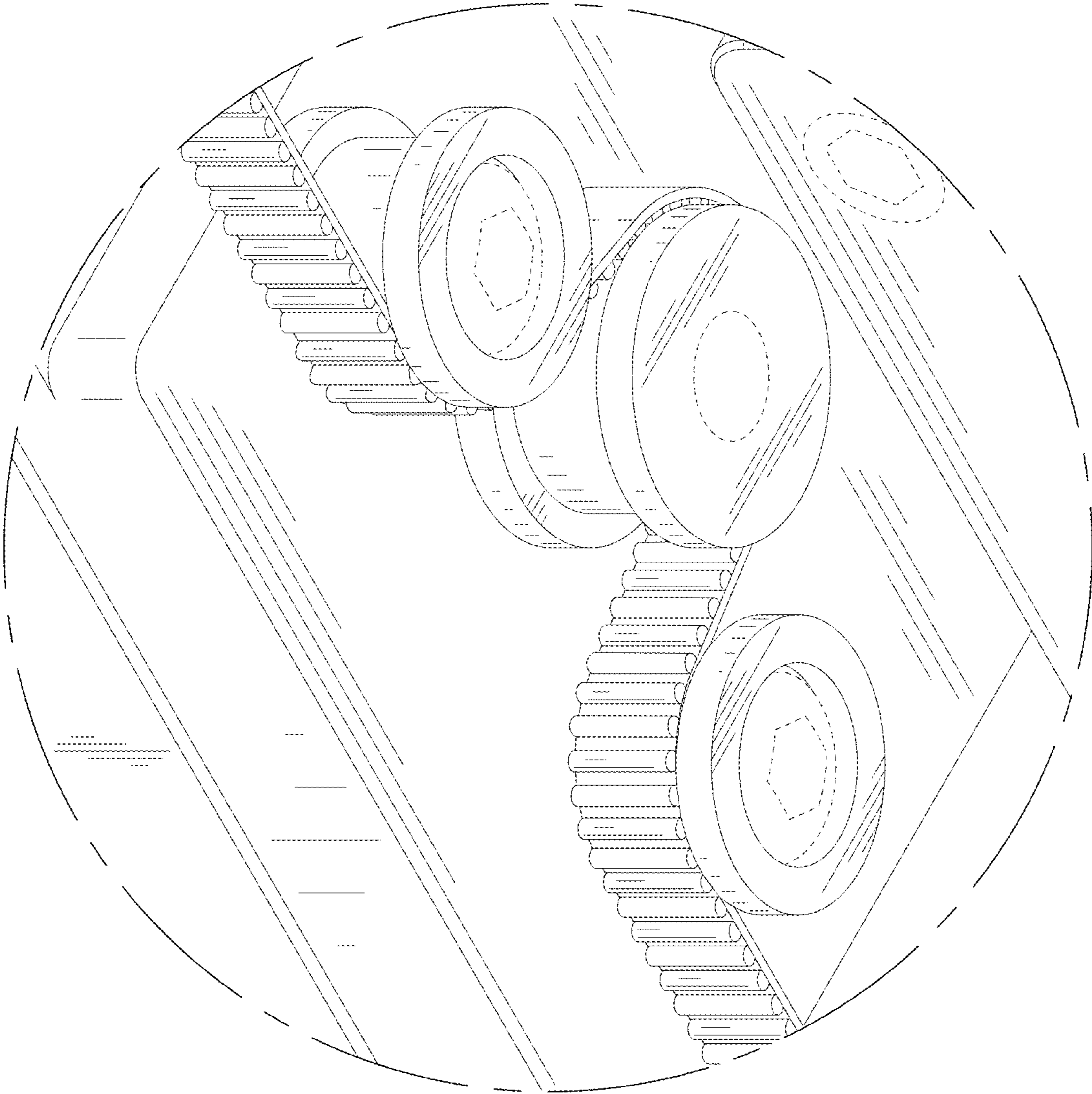


FIG. 11