



US00D980302S

(12) **United States Design Patent**  
**Han et al.**

(10) **Patent No.:** **US D980,302 S**

(45) **Date of Patent:** **\*\* Mar. 7, 2023**

(54) **ACTION CAMERA**

(71) Applicant: **SHENZHEN FUXIN ELECTRONICS CO., LTD.**, Shenzhen (CN)

(72) Inventors: **Bolin Han**, Shenzhen (CN); **Yongchun Ren**, Nanchong (CN)

(\*\*) Term: **15 Years**

(21) Appl. No.: **29/727,031**

(22) Filed: **Mar. 7, 2020**

(51) **LOC (14) Cl.** ..... **16-01**

(52) **U.S. Cl.**  
USPC ..... **D16/202**

(58) **Field of Classification Search**  
USPC ..... D16/200, 202, 203, 205, 207-209, 214,  
D16/217, 218, 219; D14/125, 130, 140,  
D14/496, 172; D10/106.6  
CPC .... G03B 17/00; G03B 17/02; G03B 2217/00;  
H04N 5/225; H04N 5/2251; H04N  
5/2252

See application file for complete search history.

(56) **References Cited**

**U.S. PATENT DOCUMENTS**

D721,395 S *	1/2015	Woodman	.....	D16/218
D737,879 S *	9/2015	Woodman	.....	D16/218
D750,686 S *	3/2016	Chen	.....	D16/218
D760,309 S *	6/2016	Parfitt	.....	D16/202
D766,351 S *	9/2016	Li	.....	D16/202
D785,695 S *	5/2017	Woodman	.....	D16/219
D839,335 S *	1/2019	Zhang	.....	D16/202
D855,675 S *	8/2019	Luo	.....	D16/202
D920,419 S *	5/2021	Muhlenkamp, IV	.....	D16/202
D923,075 S *	6/2021	Grant	.....	D16/208
D939,608 S *	12/2021	Han	.....	D16/202
D939,609 S *	12/2021	Han	.....	D16/202
D939,610 S *	12/2021	Han	.....	D16/202
D945,513 S *	3/2022	Han	.....	D16/218
D950,620 S *	5/2022	Guan	.....	D16/202

D963,022 S *	9/2022	Muhlenkamp, IV	.....	D16/200
D963,726 S *	9/2022	Au	.....	D16/200
2016/0227112 A1 *	8/2016	Ono	.....	H04N 5/2259
2017/0195550 A1 *	7/2017	Kim	.....	H04N 5/23216
2022/0124255 A1 *	4/2022	Zhang	.....	H04N 5/23216
2022/0317548 A1 *	10/2022	Sun	.....	G03B 17/02

**FOREIGN PATENT DOCUMENTS**

CN	306731404	*	8/2021
EM	007741772-0001	*	3/2020

**OTHER PUBLICATIONS**

“Akaso Brave 7 LE,” first available Jul. 2, 2020, retrieved Oct. 19, 2022 from <https://www.amazon.com/AKASO-Brave-4K30FPS-Underwater-Batteries/dp/B08B3MFDQL/> (Year: 2020).\*

\* cited by examiner

*Primary Examiner* — Maria J. Edwards

*Assistant Examiner* — Dina Michelle Hoeynck

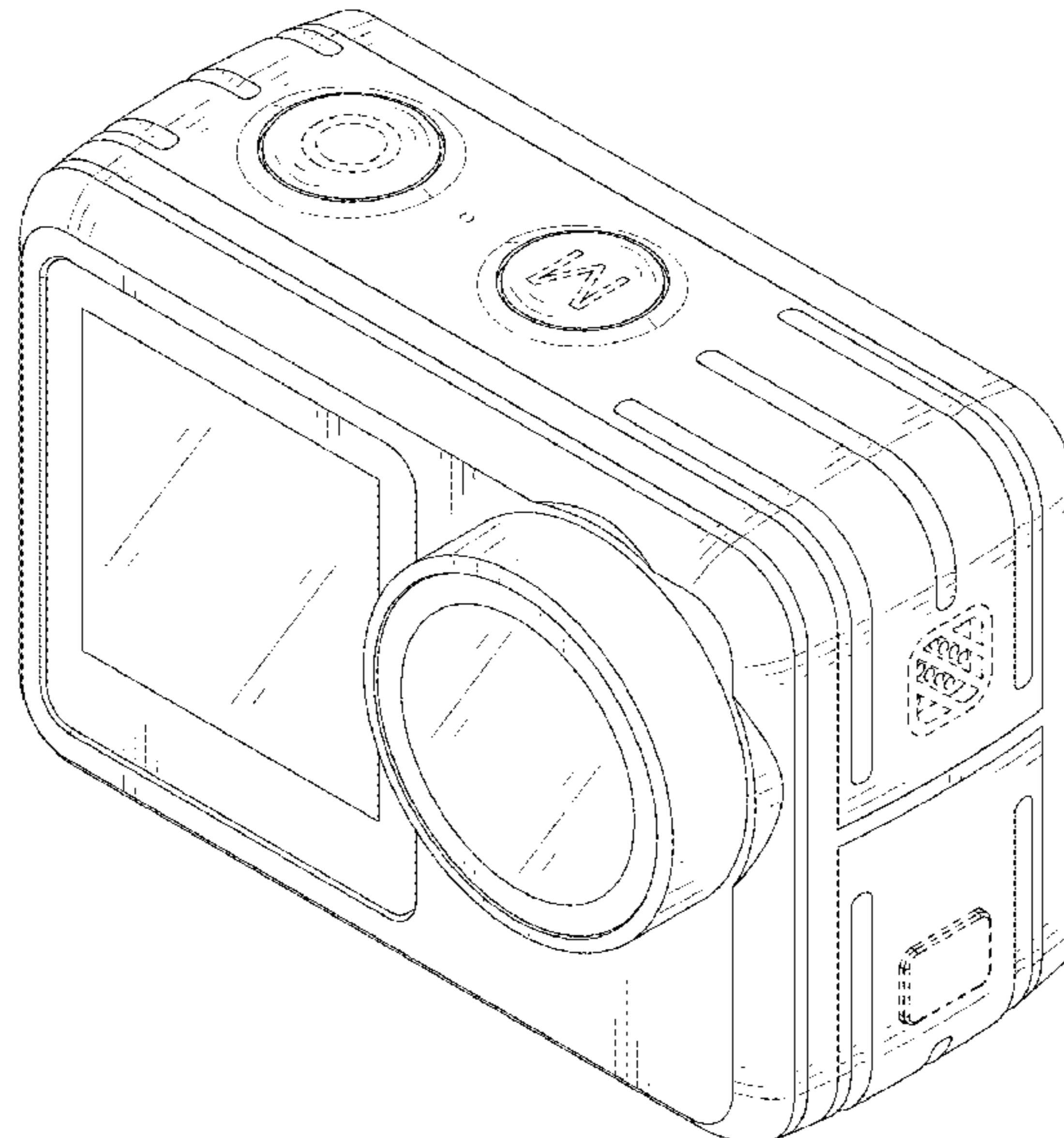
(57) **CLAIM**

The ornamental design for an action camera, as shown and described.

**DESCRIPTION**

FIG. 1 is a front, right side, top perspective view of an action camera showing our new design; FIG. 2 is a rear, left side, bottom perspective view thereof; FIG. 3 is a front elevational view thereof; FIG. 4 is a rear elevational view thereof; FIG. 5 is a left side elevational view thereof; FIG. 6 is a right side elevational view thereof; FIG. 7 is a top plan view thereof; and, FIG. 8 is a bottom plan view thereof. The broken lines depict portions of the action camera that form no part of the claimed design.

**1 Claim, 8 Drawing Sheets**



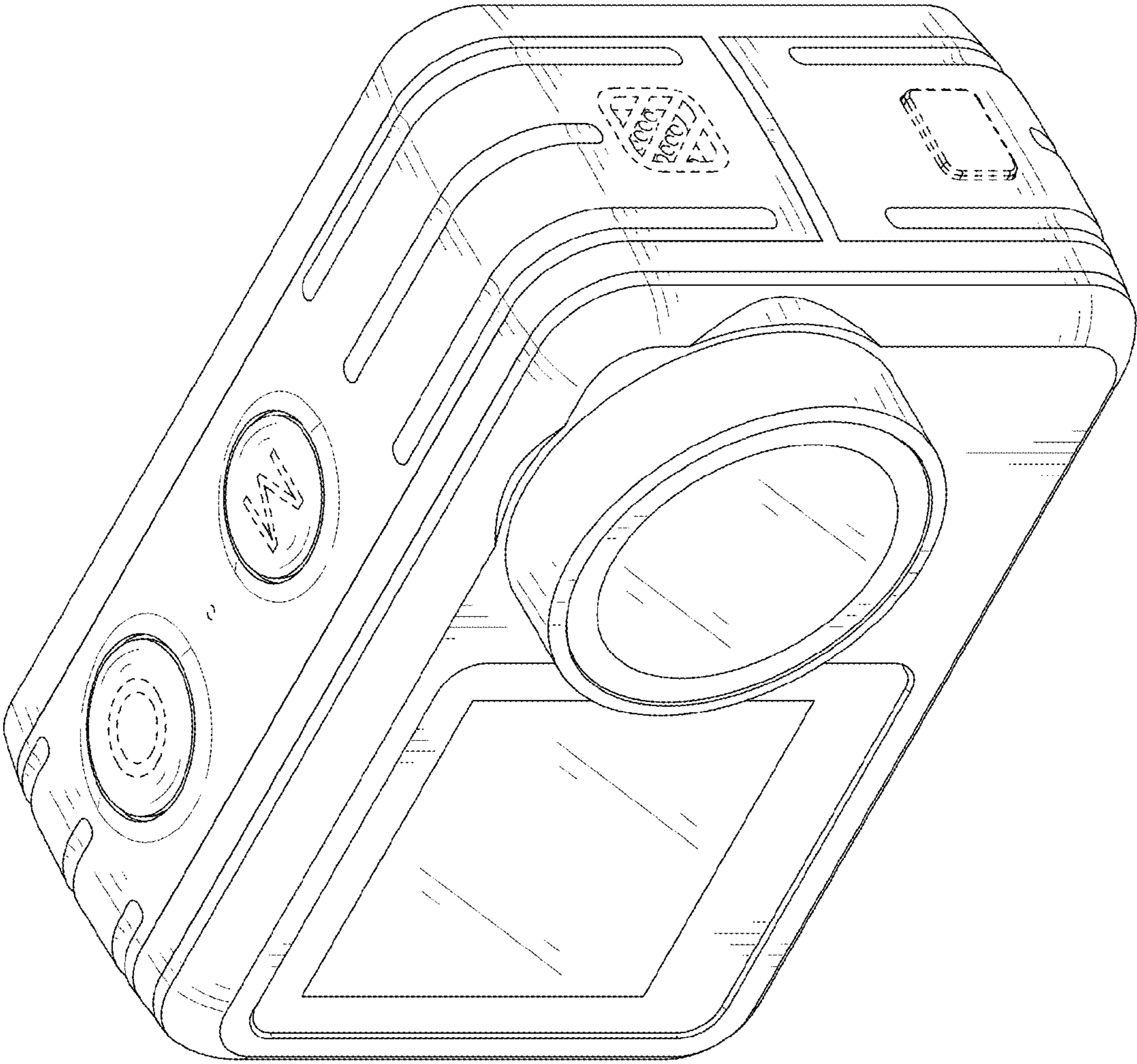


FIG. 1

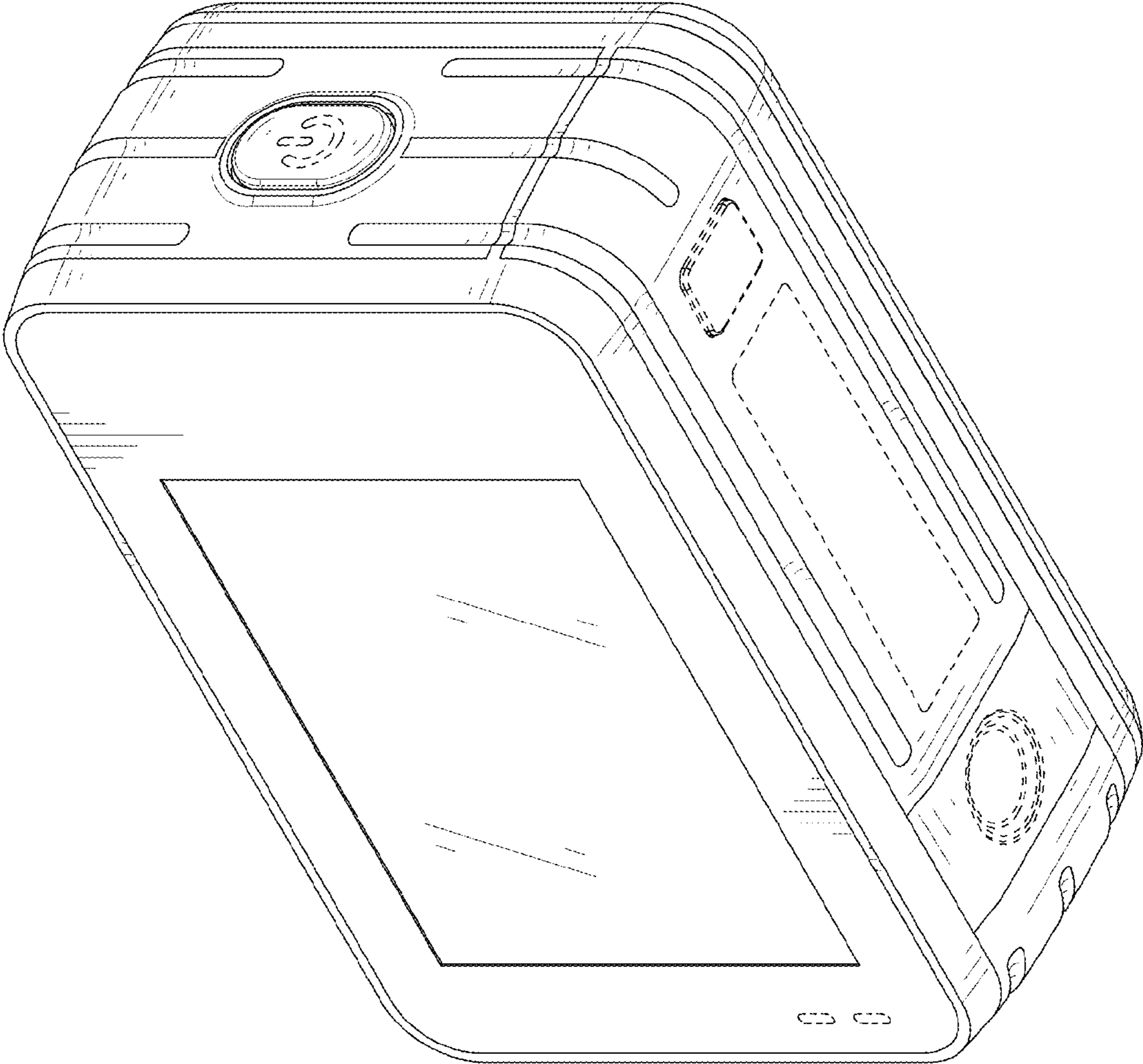


FIG. 2

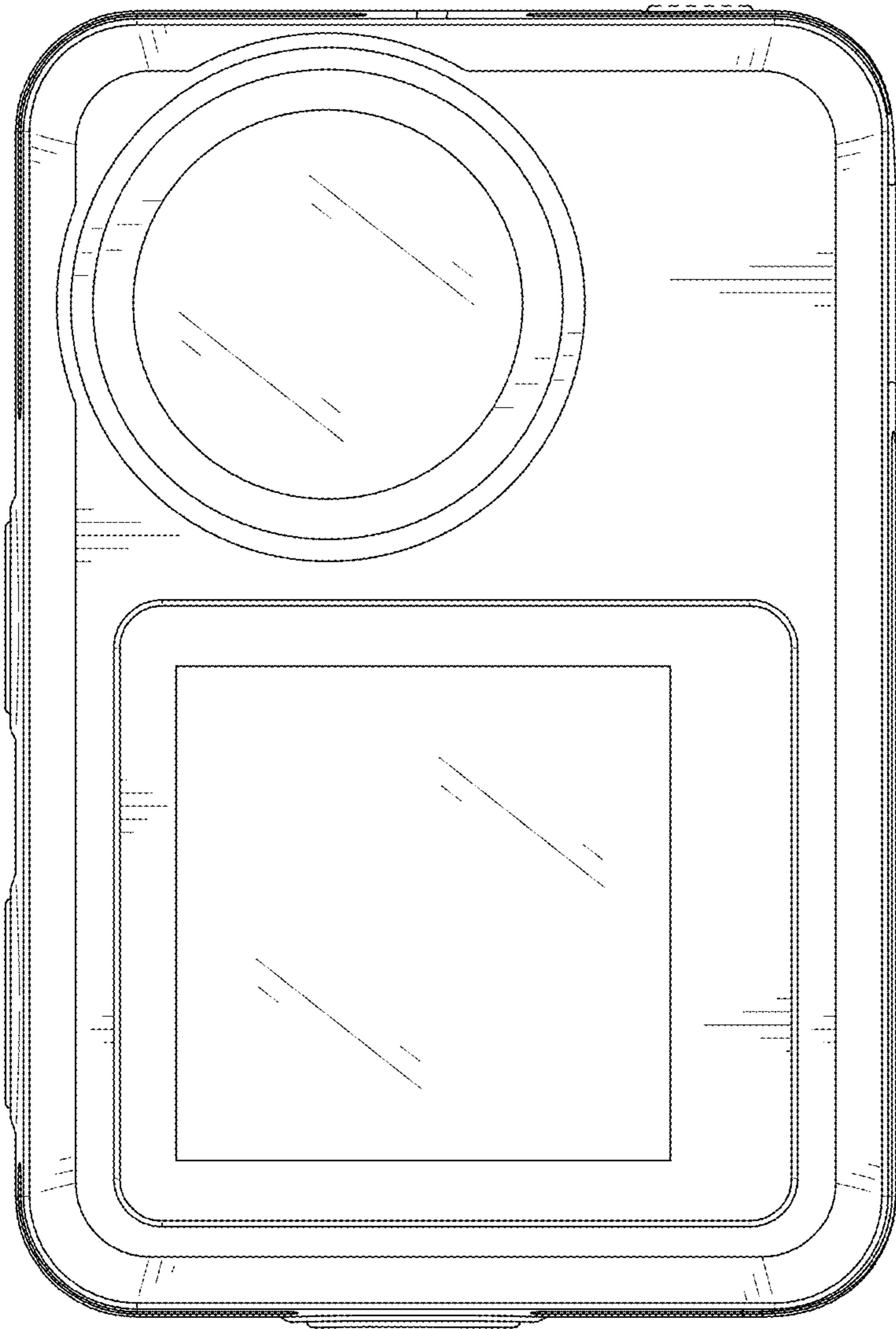


FIG. 3

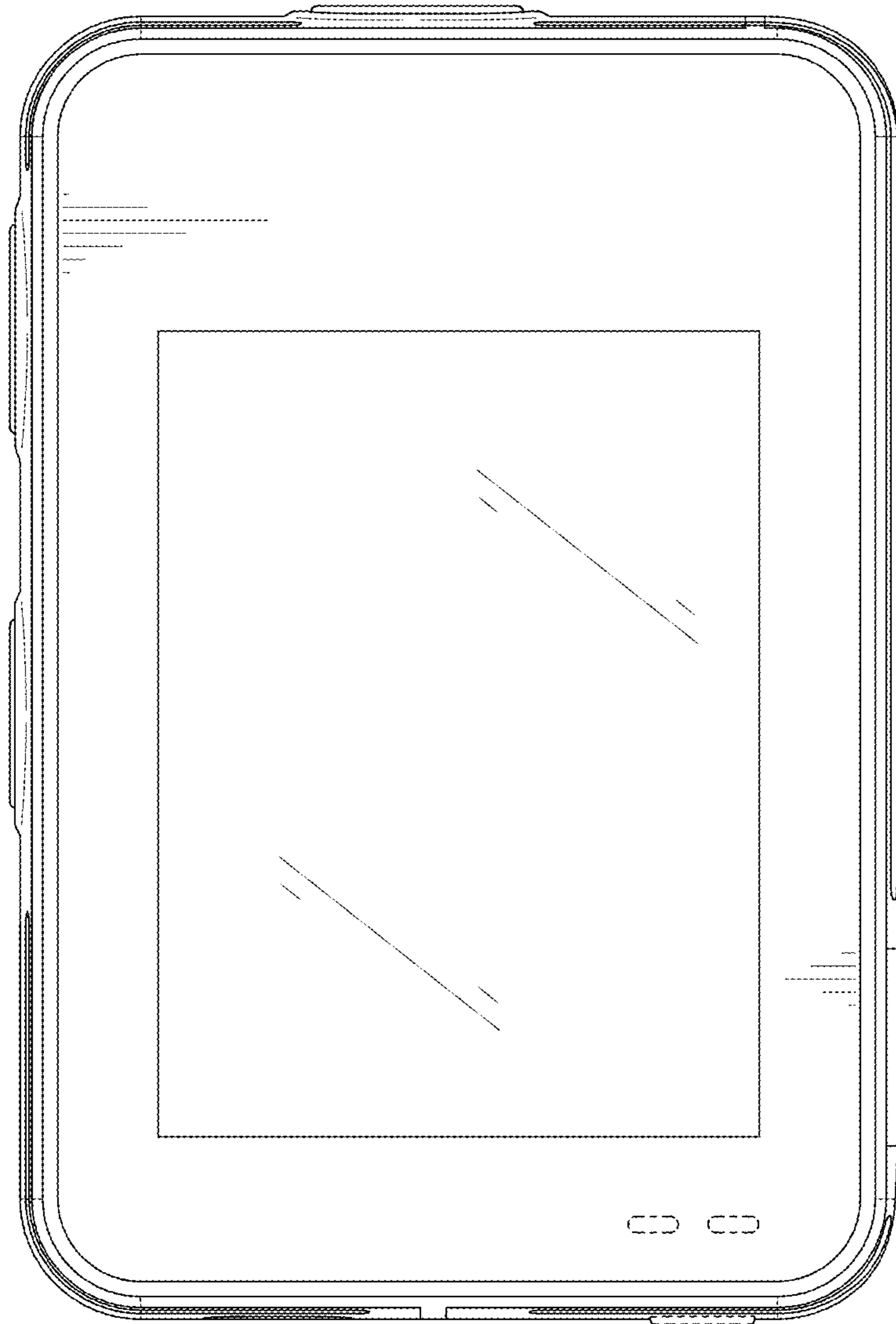


FIG. 4

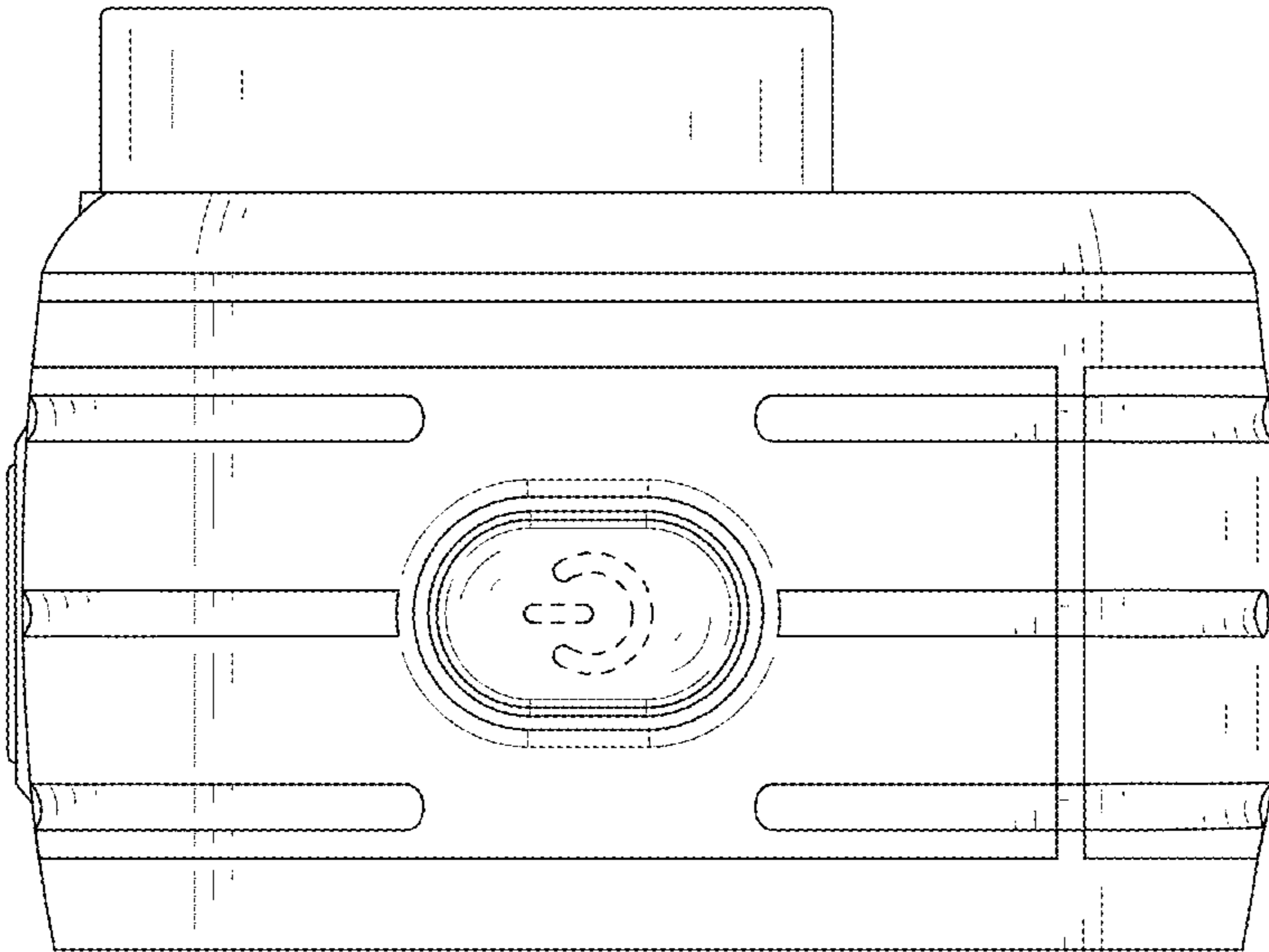


FIG. 5

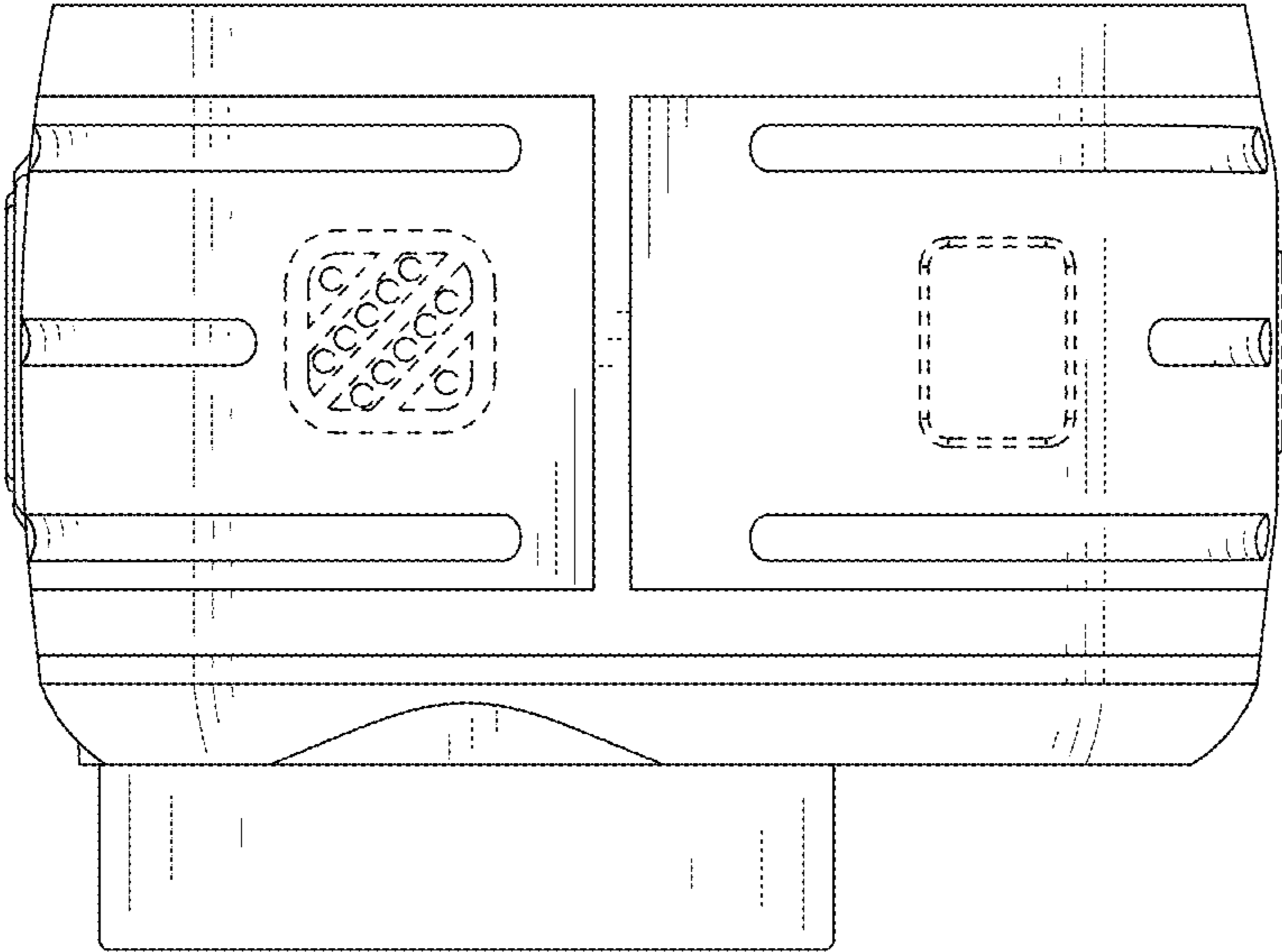


FIG. 6

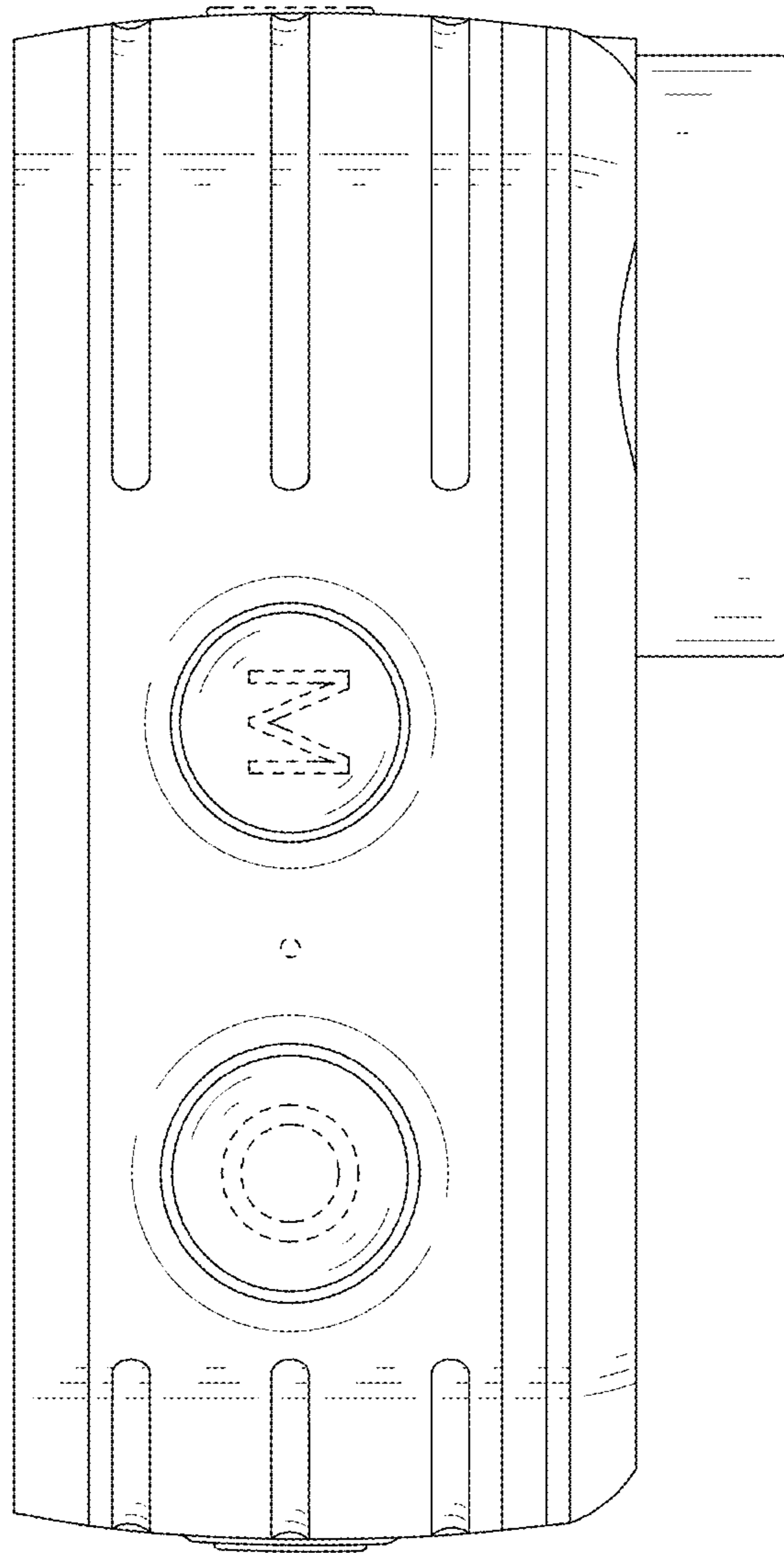


FIG. 7



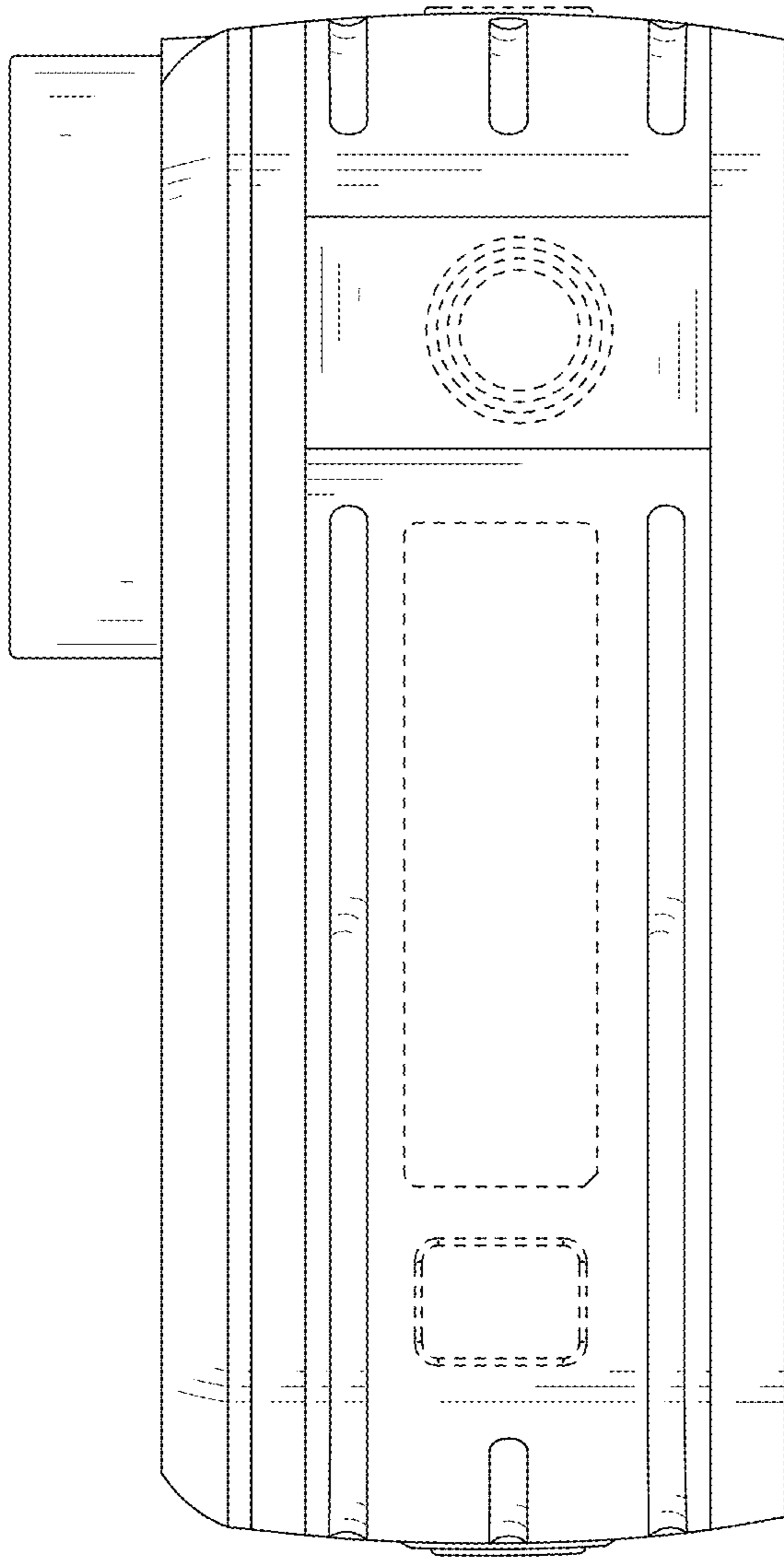


FIG. 8