



US00D980301S

(12) **United States Design Patent** (10) **Patent No.:** **US D980,301 S**  
**Bergman et al.** (45) **Date of Patent:** **\*\* Mar. 7, 2023**

(54) **CAMERA HOUSING**  
(71) Applicant: **GoPro, Inc.**, San Mateo, CA (US)  
(72) Inventors: **Senka Agic Bergman**, Montara, CA (US); **Daniel J. Coster**, Oakura (NZ); **Jordan Todd**, Piedmont, CA (US); **Zhijun Guo**, Shenzhen (CN)

4,763,151 A 8/1988 Klinger  
D321,704 S 11/1991 Leonard  
D321,705 S 11/1991 Ohmura  
D338,220 S 8/1993 Kohno  
D367,283 S 2/1996 Lyon  
D377,940 S 2/1997 Totsch  
D388,109 S 12/1997 Kimura  
(Continued)

(73) Assignee: **GoPro, Inc.**, San Mateo, CA (US)  
(\*\*) Term: **15 Years**

FOREIGN PATENT DOCUMENTS

EP 0025866020001 B2 2/2015  
EP 0025866020002 B1 2/2015  
JP 2002006389 A 1/2002

(21) Appl. No.: **29/838,778**  
(22) Filed: **May 16, 2022**

OTHER PUBLICATIONS

'Custom Surf Housing Examples for Video Cameras,' Sexton Photographies, The Sexton Company LLC, 2004, [Online] [Retrieved on Nov. 16, 2008] Retrieved from the Internet&It;URL:http://www.thesextonco.com/ch.sub.--surf.sub.--video.html- &gt;. 3 pages.

**Related U.S. Application Data**

(60) Continuation of application No. 29/817,136, filed on Nov. 29, 2021, now Pat. No. Des. 954,781, which is a division of application No. 29/705,997, filed on Sep. 17, 2019, now Pat. No. Des. 949,222.

(Continued)

(51) **LOC (14) Cl.** ..... **16-01**  
(52) **U.S. Cl.**  
USPC ..... **D16/200**

*Primary Examiner* — Ramzi Almatrahi

(74) *Attorney, Agent, or Firm* — Young Basile Hanlon & MacFarlane, P.C.

(58) **Field of Classification Search**  
USPC ..... D16/200, 202–204, 208, 211, 218, 219, D16/237, 242; D3/263, 267, 268  
CPC ..... G03B 15/03; G03B 17/02; G03B 17/04; G03B 17/08; G03B 17/56; G03B 19/04; H04N 5/2251; H04N 5/2252; H04N 5/2253; H04N 5/2254; A45C 11/38  
See application file for complete search history.

(57) **CLAIM**

The ornamental design for a camera housing, as shown and described.

**DESCRIPTION**

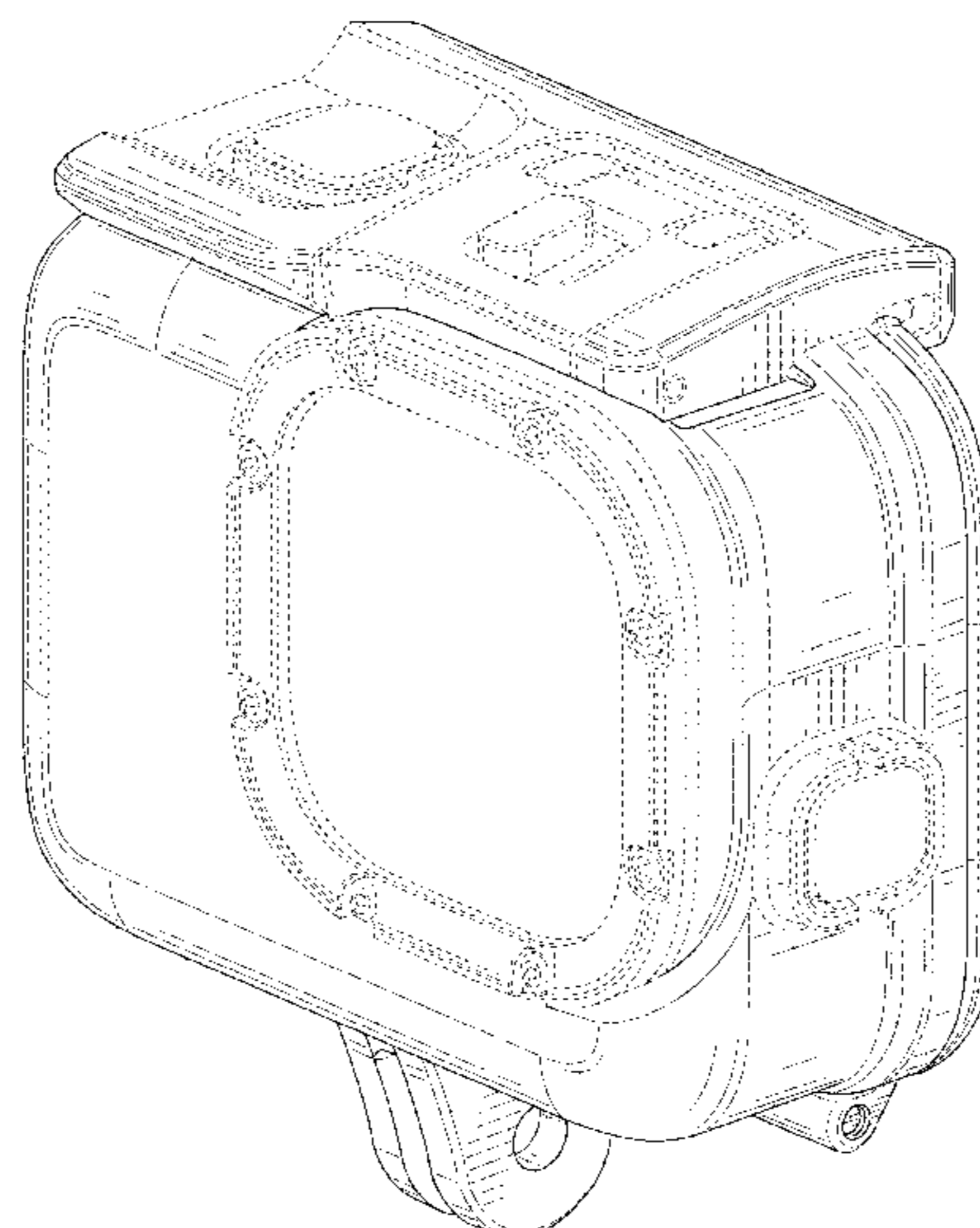
FIG. 1 is a top, front and right perspective view of a camera housing showing our new design;  
FIG. 2 is a front view thereof;  
FIG. 3 is a rear view thereof;  
FIG. 4 is top view thereof;  
FIG. 5 is a bottom view thereof;  
FIG. 6 is a right view thereof; and,  
FIG. 7 is a left view thereof.  
The broken lines depict portions of the camera housing in which the design is embodied that form no part of the claimed design.

(56) **References Cited**

U.S. PATENT DOCUMENTS

D96,348 S 7/1935 Teaque  
D150,289 S 7/1948 Crapsey  
D164,285 S 8/1951 Clark  
3,418,909 A 12/1968 Rabinow  
D265,829 S 8/1982 Shimoda  
4,646,141 A 2/1987 Timmermans

**1 Claim, 6 Drawing Sheets**



(56)

References Cited

U.S. PATENT DOCUMENTS

D392,659 S	3/1998	Takano	D657,811 S	4/2012	Woodman
5,997,376 A	12/1999	Block	8,150,248 B1	4/2012	Woodman
D419,296 S	1/2000	Shinano	D667,041 S	9/2012	Uehara
D425,092 S	5/2000	Eto	D668,874 S	10/2012	Robinson
D425,924 S	5/2000	Burchard	D674,428 S	1/2013	Woodman
D439,593 S	3/2001	Enderby	D674,429 S	1/2013	Woodman
D441,386 S	5/2001	Yamazaki	D684,569 S	6/2013	Willenborg
6,233,400 B1	5/2001	Muramatsu	D685,178 S	7/2013	Lv
6,315,180 B1	11/2001	Watkins	8,544,643 B2	10/2013	Yim
D453,177 S	1/2002	Uehara	D693,114 S	11/2013	Lemanski, Sr.
D458,620 S	6/2002	Su	8,596,890 B2	12/2013	Yim
D460,474 S	7/2002	Gotham, Sr.	D699,276 S	2/2014	Samuels
6,545,825 B2	4/2003	Shoji	D699,277 S	2/2014	Samuels
D474,221 S	5/2003	Cheng	D699,947 S	2/2014	To
D487,104 S	2/2004	Obata	D700,778 S	3/2014	To
D491,968 S	6/2004	Isshiki	D702,276 S	4/2014	Woodman
6,821,173 B2	11/2004	McCausland	D702,277 S	4/2014	Woodman
D504,904 S	5/2005	Nagai	D702,747 S	4/2014	Woodman
6,955,484 B2	10/2005	Woodman	D702,754 S	4/2014	Bould
6,991,504 B1	1/2006	English	D710,611 S	8/2014	To
7,060,921 B2	6/2006	Kubo	D710,921 S	8/2014	Gioscia
D524,836 S	7/2006	Morita	D710,922 S	8/2014	Gioscia
D527,403 S	8/2006	Byun	8,837,928 B1	9/2014	Clearman
D528,580 S	9/2006	Sumita	8,870,475 B1	10/2014	Bennett
7,117,699 B2	10/2006	Bistline	D719,811 S	12/2014	Cooper
D532,029 S	11/2006	Kim	D721,395 S	1/2015	Woodman
D532,030 S	11/2006	Yoshida	D724,637 S	3/2015	Samuels
D532,433 S	11/2006	Sato	D724,638 S	3/2015	Samuels
D533,574 S	12/2006	Hamamura	D725,169 S	3/2015	Gioscia
D534,564 S	1/2007	Tainaka	9,004,783 B1	4/2015	Woodman
D535,676 S	1/2007	Dayan	D729,515 S	5/2015	Slimane
7,182,529 B2	2/2007	Kurosawa	D732,593 S	6/2015	Woodman
7,182,661 B2	2/2007	Sams	D733,787 S	7/2015	Baker
D538,322 S	3/2007	Horikiri	D733,788 S	7/2015	Baker
D538,324 S	3/2007	Masamitsu	D734,799 S	7/2015	Woodman
D540,669 S	4/2007	George	D735,260 S	7/2015	Bould
D540,841 S	4/2007	Yamagishi	D735,790 S	8/2015	Gioscia
D550,742 S	9/2007	Ishii	D737,879 S	9/2015	Woodman
7,295,388 B2	11/2007	Shyu	D739,451 S	9/2015	Gioscia
D562,374 S	2/2008	Miyashita	D740,868 S	10/2015	Gioscia
D566,148 S	4/2008	Akita	D740,875 S	10/2015	Woodman
D566,714 S	4/2008	Schaefer	D740,876 S	10/2015	Woodman
7,413,357 B2	8/2008	Badalian	D741,394 S	10/2015	Gioscia
D582,955 S	12/2008	Sekine	D750,146 S	2/2016	Costa
D600,265 S	9/2009	Miyashita	D750,680 S	3/2016	Chen
D605,680 S	12/2009	Okada	D751,133 S	3/2016	Gioscia
7,626,621 B2	12/2009	Ito	D752,671 S	3/2016	Harrison
7,653,292 B2	1/2010	Yamaguchi	D752,672 S	3/2016	Clearman
7,683,968 B2	3/2010	Hagihara	D754,238 S	4/2016	Woodman
7,690,852 B2	4/2010	Kato	D754,240 S	4/2016	Samuels
D616,479 S	5/2010	Ganahl, Jr.	D763,941 S	8/2016	Smith
D618,266 S	6/2010	Imaeda	D767,009 S	9/2016	Hinkel
D621,432 S	8/2010	Yim	D768,752 S	10/2016	Silver
D622,591 S	8/2010	Biesecker, II	D772,322 S	11/2016	Xianzhi
7,768,727 B2	8/2010	Iida	D776,741 S	1/2017	Parfitt
7,801,439 B2	9/2010	Nagata	D777,821 S	1/2017	Gioscia
D635,436 S	4/2011	Barton	D778,335 S	2/2017	Gioscia
D635,437 S	4/2011	Barton	D778,336 S	2/2017	Gioscia
D635,438 S	4/2011	Barton	D785,696 S *	5/2017	Parfitt ..... D16/242
D635,439 S	4/2011	Barton	D785,697 S	5/2017	Costa
D635,440 S	4/2011	Barton	D789,435 S	6/2017	Nguyen
D639,844 S	6/2011	Lee	D799,479 S	10/2017	Wieser
D640,058 S	6/2011	Molina	D800,818 S	10/2017	Woodman
D641,388 S	7/2011	Shih	D800,819 S	10/2017	Parfitt
D641,389 S	7/2011	Dastagir	D804,560 S	12/2017	Costa
D642,054 S	7/2011	Samartgis	D806,775 S	1/2018	Nguyen
D644,679 S	9/2011	Woodman	D808,163 S	1/2018	Song
D645,725 S	9/2011	Katz	D818,029 S	5/2018	Fujita
8,014,656 B2	9/2011	Woodman	D821,480 S	6/2018	Gioscia
D646,313 S	10/2011	Woodman	D821,481 S	6/2018	Gioscia
D647,303 S	10/2011	Mish	10,101,637 B2	10/2018	Peddecord
D647,554 S	10/2011	Yim	D835,910 S	12/2018	Eliyahu
D648,363 S	11/2011	Takagi	D837,861 S	1/2019	Luo
D648,364 S	11/2011	Tsukamoto	D840,463 S	2/2019	Nguyen
D657,808 S	4/2012	Woodman	D852,259 S	6/2019	Gioscia
			D856,391 S	8/2019	Liu
			D868,131 S	11/2019	Hu
			D869,539 S	12/2019	Hu
			D876,521 S	2/2020	Costa

(56)

References Cited

U.S. PATENT DOCUMENTS

D888,792	S	6/2020	Luo	
D890,835	S	7/2020	Nguyen	
D911,418	S	2/2021	Yap	
D921,084	S	6/2021	Muhlenkamp, IV	
D924,297	S	7/2021	Imai	
D935,506	S *	11/2021	Tan .....	D16/200
D940,775	S *	1/2022	Moshier .....	D16/200
D947,920	S	4/2022	Muhlenkamp	
D949,222	S	4/2022	Bergman	
D951,321	S	5/2022	Muhlenkamp	
D954,125	S *	6/2022	Muhlenkamp, IV .....	D16/200
D954,776	S *	6/2022	Muhlenkamp, IV .....	D16/200
D963,016	S *	9/2022	Todd .....	D16/200
D963,726	S *	9/2022	Au .....	D16/200
2003/0035052	A1	2/2003	Baron	
2003/0133206	A1	7/2003	Belefant	
2005/0007553	A1	1/2005	Romanoff	
2005/0019029	A1	1/2005	Kawakami	
2005/0212959	A1	9/2005	Manabe	
2006/0233545	A1	10/2006	Senba	
2007/0071423	A1	3/2007	Fantone	
2007/0242134	A1	10/2007	Zernov	
2008/0083360	A1	4/2008	Rowley	
2009/0032420	A1	2/2009	Zenzai	
2009/0110380	A1	4/2009	Fantone	
2009/0317069	A1	12/2009	Yim	
2010/0061711	A1	3/2010	Woodman	
2011/0147245	A1	6/2011	Yim	
2015/0030320	A1	1/2015	Clearman	
2016/0134788	A1	5/2016	Clearman	
2016/0252801	A1	9/2016	Harrison	

OTHER PUBLICATIONS

'GoPro Hero 3 Sports Wrist Camera Review,' PaddleDogNation, 2006, 6 pages, [Online] [Retrieved on Aug. 8, 2007] Retrieved from

the Internet <URL:http://paddledognation.com/Reviews/PaddlingGearReviews/He-ro3Ca . . . >.

'Maui Surf Report: New SUP Camera Mount,' 8 Pages, [Online] [Retrieved on Nov. 16, 2008] Retrieved from the Internet<URL:http://mauisurfreport.blogspot.com/2007/08/new-sup-camera- -mount.html>.

'Sticky Pod—Boat Camera Mount,' Sticky Pod Camera Mounts, Sticky Pod.RTM., 2003-2007, [Online] [Retrieved on Nov. 16, 2008] Retrieved from the Internet&It;URL:http://www.stickypod.com/boat.sub.--camera.sub.--moun-t.html&gt;. 3 pages.

'Tekkno Trading Project—Brandnews,' NSP, Jan. 2008, p. 59.

Gopro, Inc., 'Cameras,' 2014, 3 Pages, [online][Archived on webarchive.org on Mar. 30, 2014] [Retrieved on Aug. 31, 2015] Retrieved from the internet <URL:https://web.archive.org/web/20140330221442/http://gopro.com/cameras>.

Huang, J., "Part 19—Oct. 21: Interbike Bits and Baubles," Interbike Show, Las Vegas, Nevada, USA, Sep. 22-26, 2008, Cyclingnews.com, [Online] [Retrieved on Oct. 21, 2008] Retrieved from the Internet<URL:http://www.cyclingnews.com/tech/2008/shows/interbike08/?i- d=result . . >. 3 pages.

Office Action for U.S. Appl. No. 12/498,876, filed Jan. 12, 2011, 10 Pages.

Office Action for U.S. Appl. No. 12/498,876, filed Sep. 17, 2010, 12 Pages.

Office Action for U.S. Appl. No. 13/193,369, filed Oct. 18, 2011, 6 Pages.

PCT International Search Report and Written Opinion, PCT/US2009/049823, dated Sep. 1, 2009, 7 pages.

Volk, W., 'Go Pro's Digital Hero Camera,' Divester, Posted Dec. 5, 2008, [Online] [Retrieved on Sep. 16, 2009] Retrieved from the Internet<URL:http://www.divester.com/2006/12/05/go-pro-digital-hero-camera/>. 3 pages.

\* cited by examiner

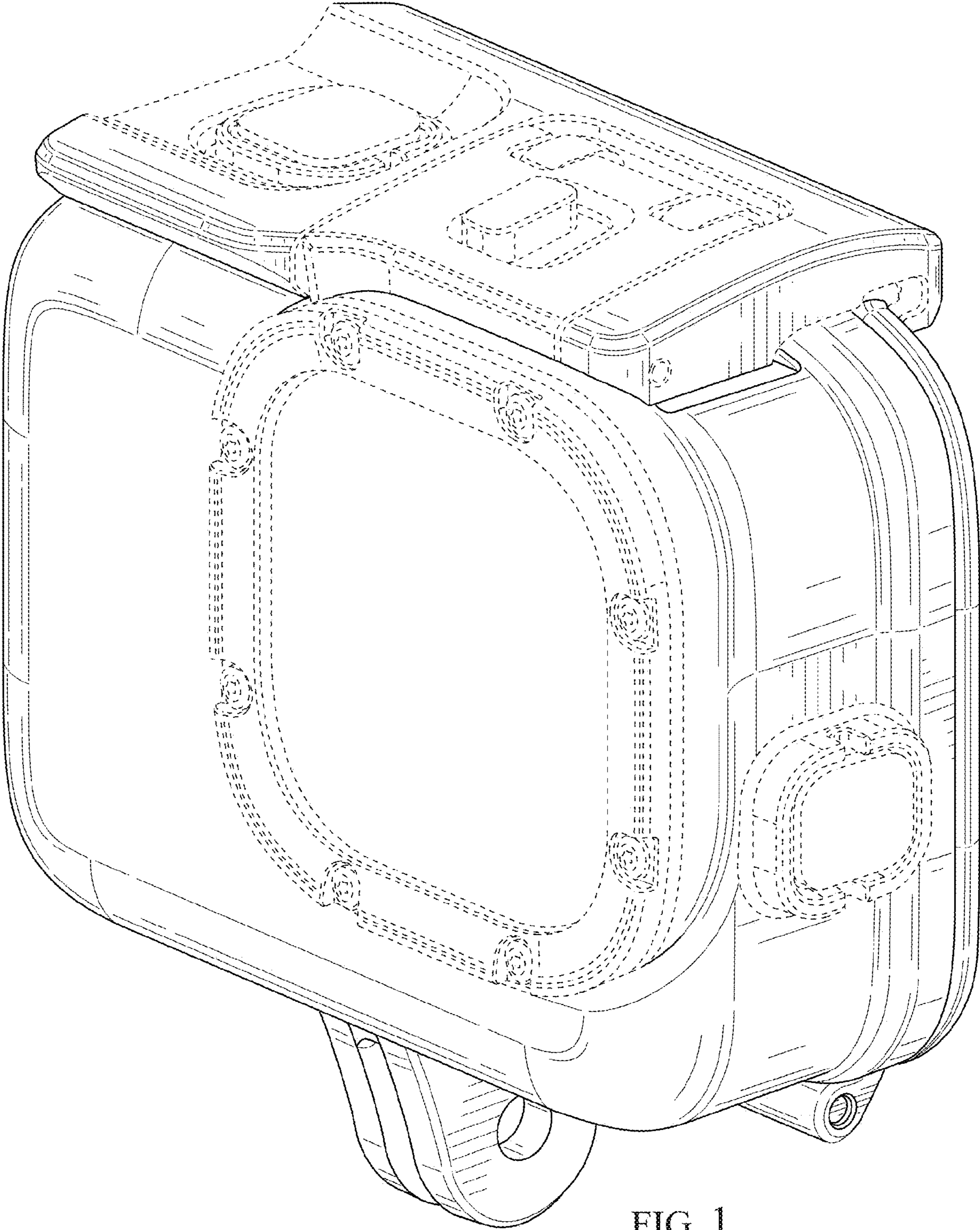


FIG. 1

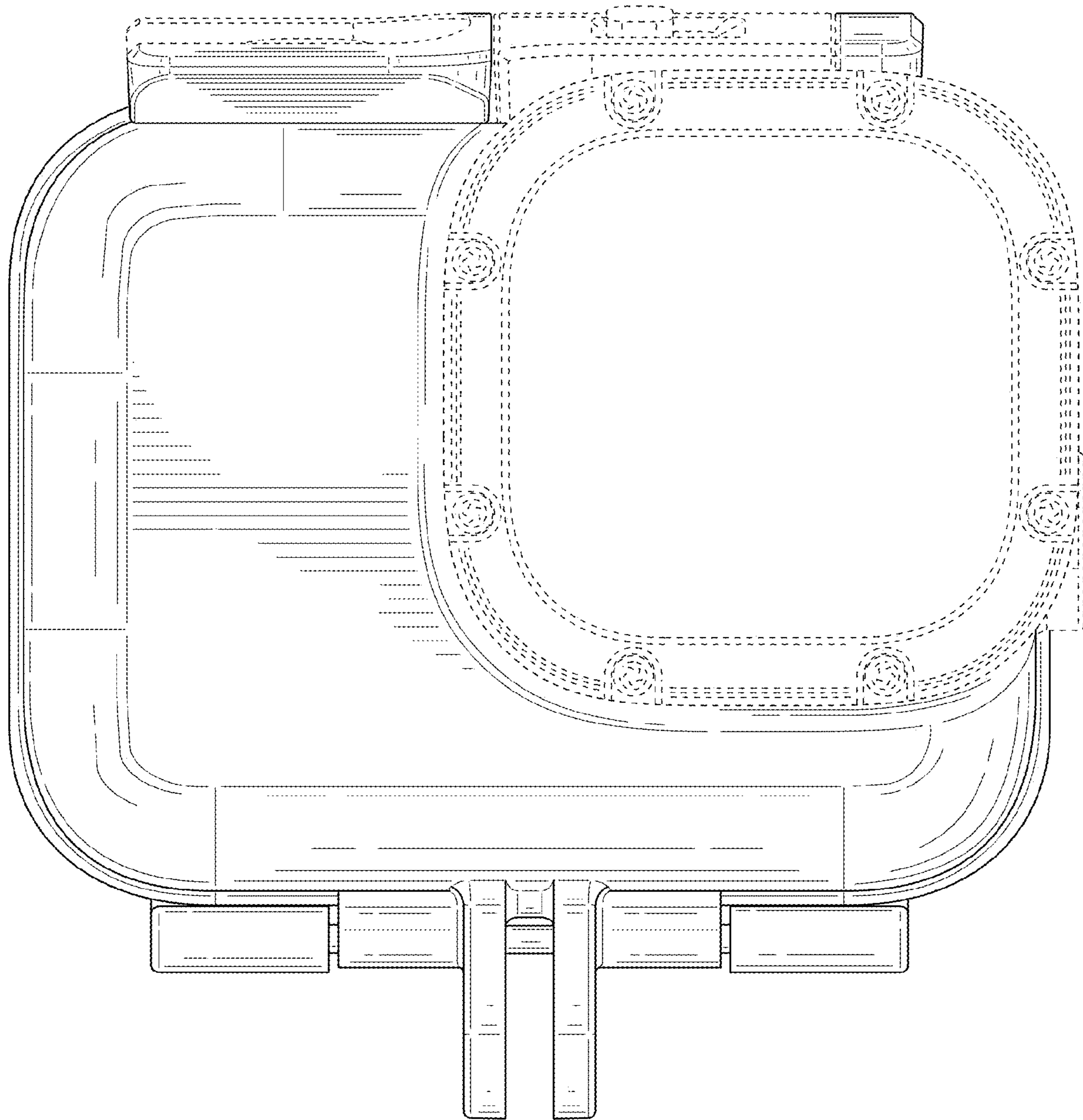


FIG. 2

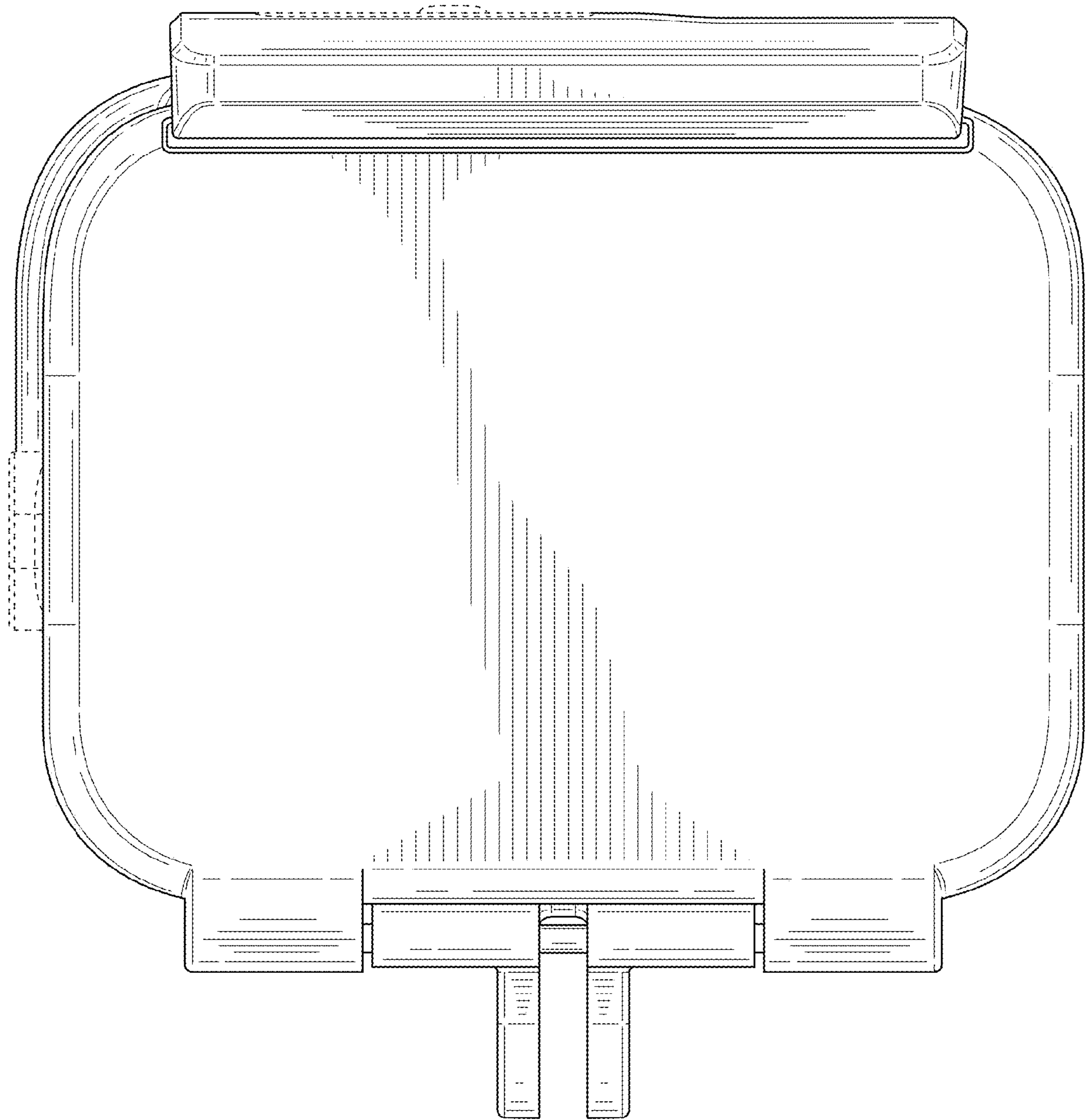


FIG. 3

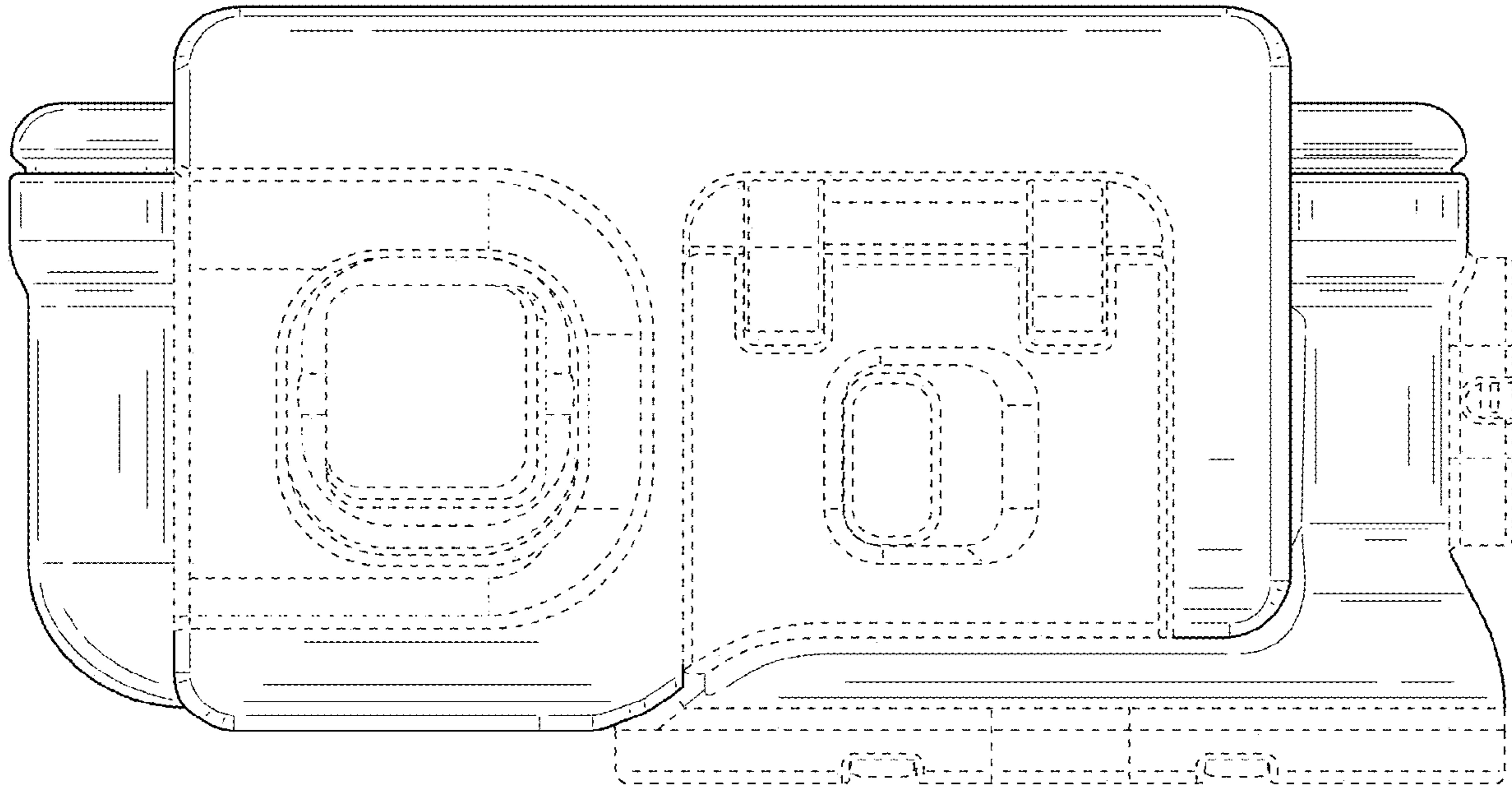


FIG. 4

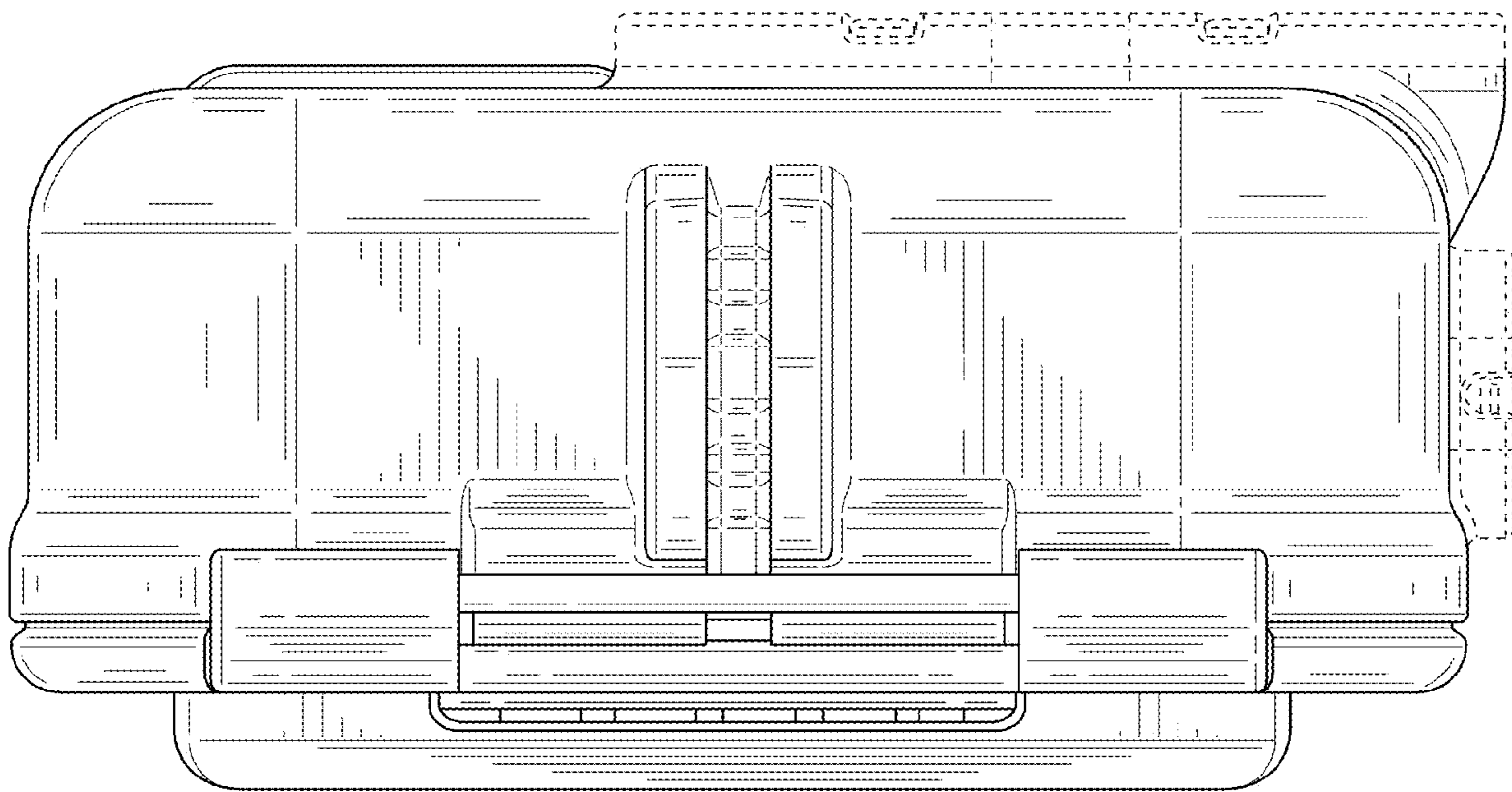


FIG. 5

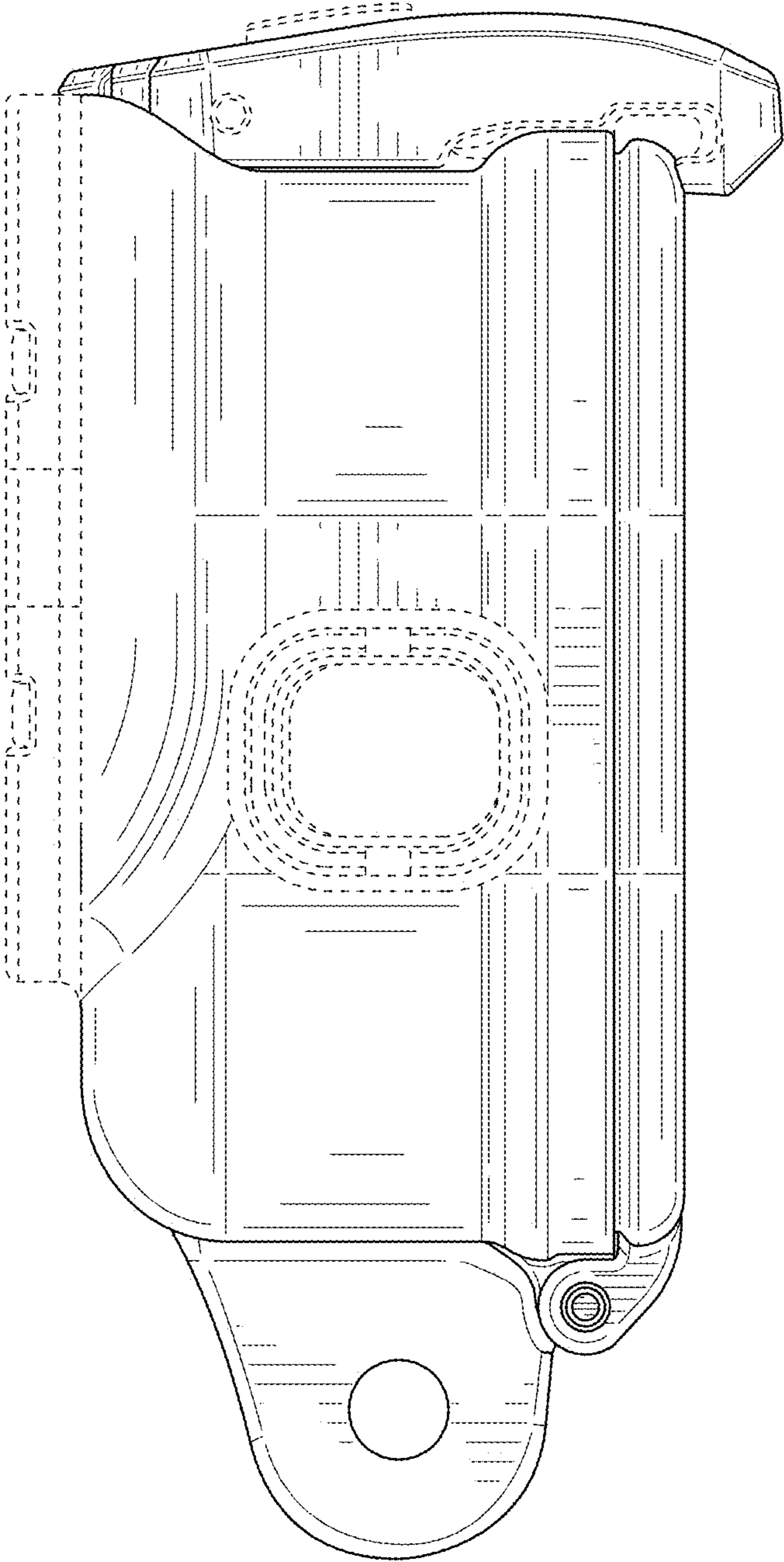


FIG. 6



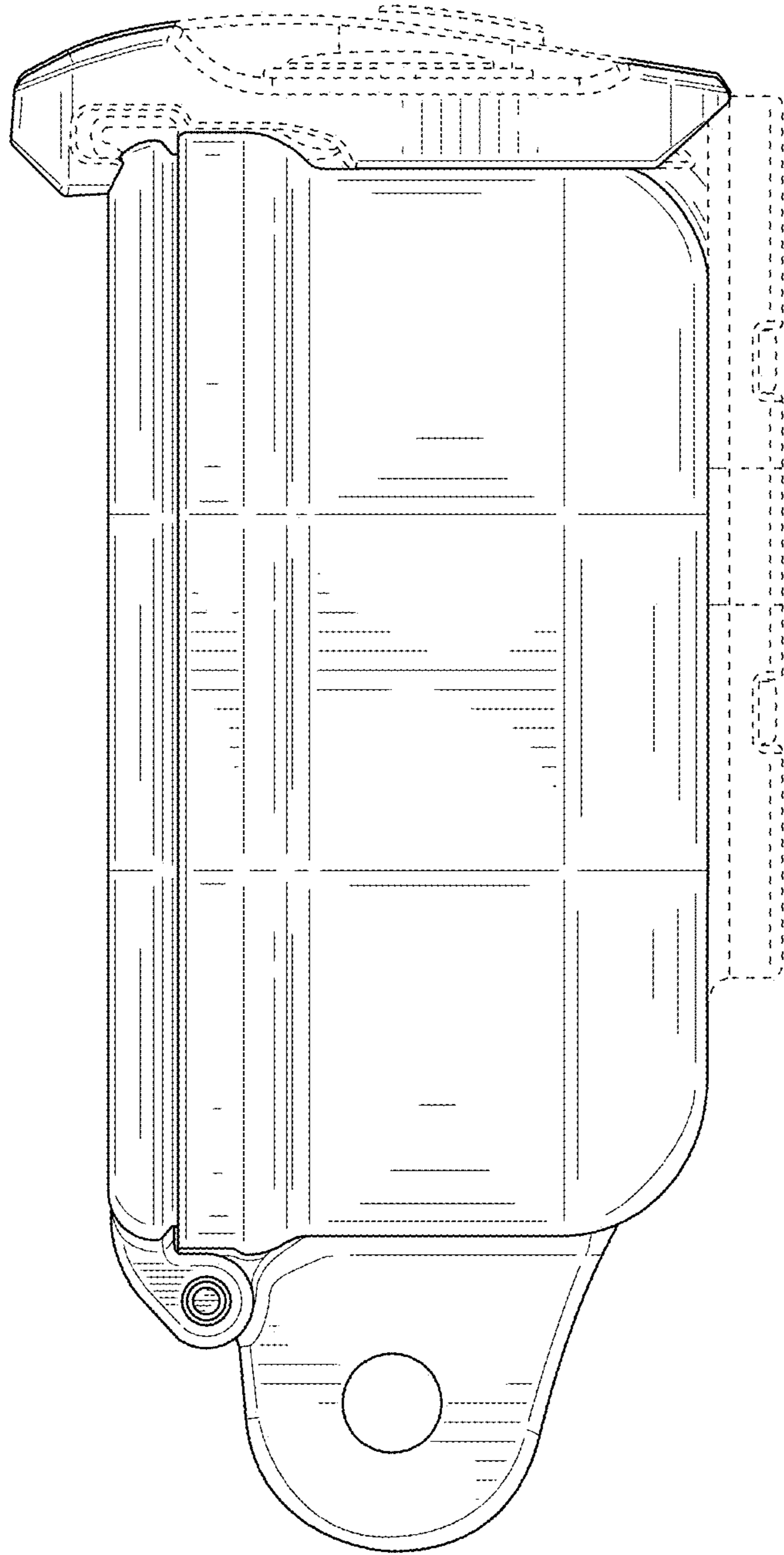


FIG. 7