



US00D980299S

(12) **United States Design Patent** (10) **Patent No.:** **US D980,299 S**
Robèrt et al. (45) **Date of Patent:** **** Mar. 7, 2023**

(54) **INDUSTRIAL ROBOT TOOL**
(71) Applicant: **Lamiflex Group AB**, Nyköping (SE)
(72) Inventors: **Adrian Robèrt**, Nyköping (SE); **Petter Järte**, Nyköping (SE); **Marcus Forssblad**, Nyköping (SE); **Fredrik Rosenlind**, Nyköping (SE); **Kristoffer Olsson**, Nyköping (SE)
(73) Assignee: **Lamiflex Group AB**, Nyköping (SE)
(**) Term: **15 Years**

D810,801 S * 2/2018 Hsu D15/199
D819,102 S * 5/2018 Kobayashi D15/199
D884,757 S * 5/2020 Fujii D15/130
2007/0222245 A1 9/2007 Maffeis et al.
2016/0272351 A1 9/2016 Faehrenkaemper

FOREIGN PATENT DOCUMENTS

DE 1192094 B 4/1965
FR 2 537 556 A1 6/1984
GB 1014463 A 12/1965
KR 102028468 B1 10/2019
SK 279238 B6 8/1998
WO WO-01/70575 A1 9/2001
WO WO-2016/195578 A1 12/2016

(21) Appl. No.: **29/756,528**
(22) Filed: **Oct. 29, 2020**
(30) **Foreign Application Priority Data**

Apr. 30, 2020 (EM) 007849799

(51) **LOC (14) Cl.** **15-99**
(52) **U.S. Cl.**
USPC **D15/199**
(58) **Field of Classification Search**
USPC D15/140, 143, 199; D21/369, 578, 580,
D21/581, 582, 583, 621, 622
CPC B60T 17/223; G01M 17/0074
See application file for complete search history.

(56) **References Cited**

U.S. PATENT DOCUMENTS

4,631,898 A 12/1986 Brambilla
5,086,983 A 2/1992 Darrieux
D431,040 S * 9/2000 Makabe D15/140
D438,220 S * 2/2001 Ishibashi D15/140
D440,988 S * 4/2001 Ishibashi D15/140
D457,900 S * 5/2002 Hanne D15/140
D482,051 S * 11/2003 Hanne D15/140
6,705,060 B1 3/2004 McGuinness et al.
D748,705 S * 2/2016 Sekido D15/143

OTHER PUBLICATIONS

Notice and Search Report issued in Swedish Patent application No. 2050501-2, dated Dec. 18, 2020.

* cited by examiner

Primary Examiner — Michael C Stout
Assistant Examiner — Fritzgerald L Butac
(74) *Attorney, Agent, or Firm* — Faegre Drinker Biddle & Reath LLP

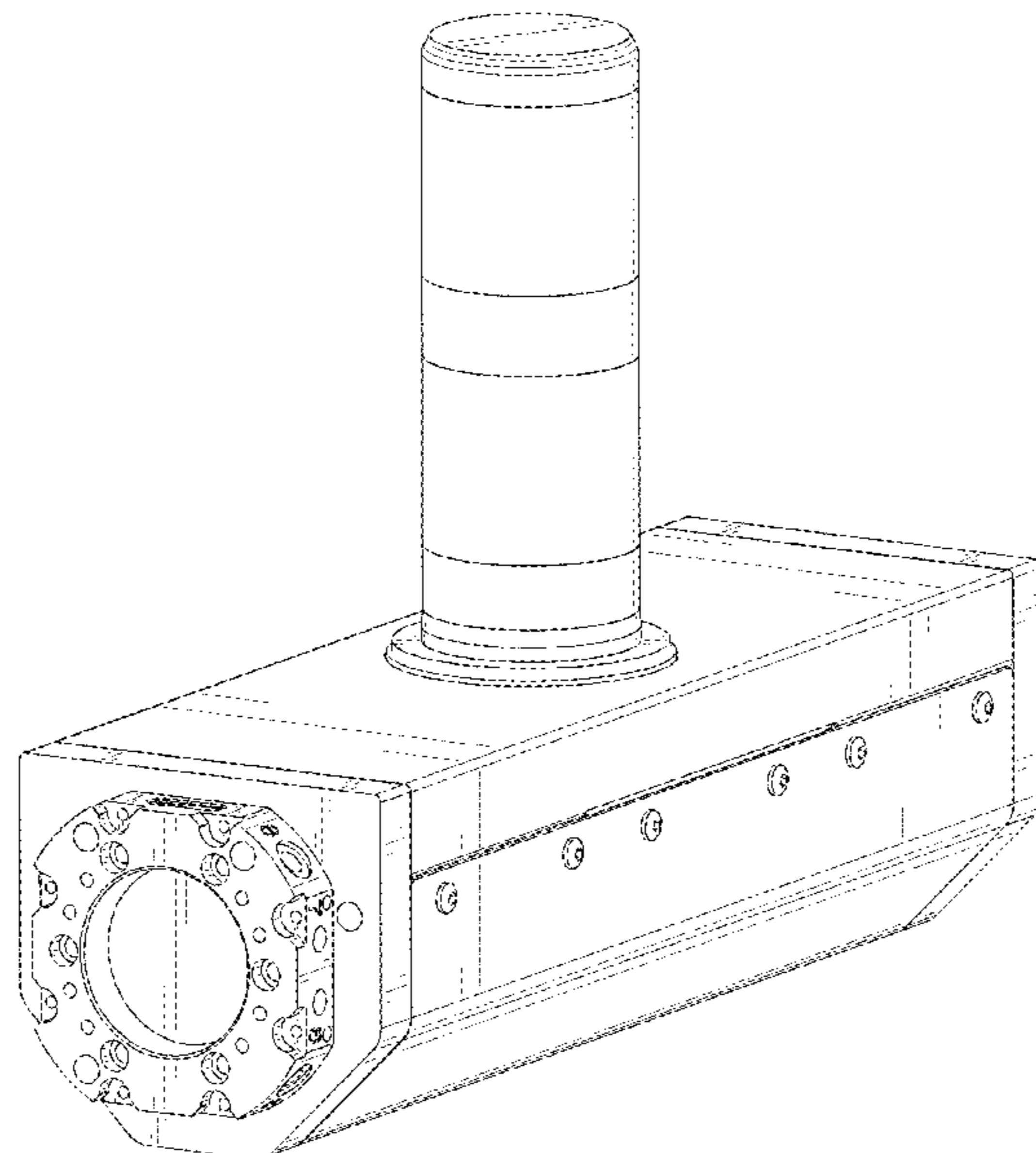
(57) **CLAIM**

The ornamental design for an industrial robot tool, as shown and described.

DESCRIPTION

FIG. 1 is a front perspective view of an industrial robot tool, illustrating our new design;
FIG. 2 is a top view thereof;
FIG. 3 is a left side view thereof;
FIG. 4 is a rear view thereof;
FIG. 5 is a right side view thereof; and,
FIG. 6 is a bottom view thereof.

1 Claim, 6 Drawing Sheets



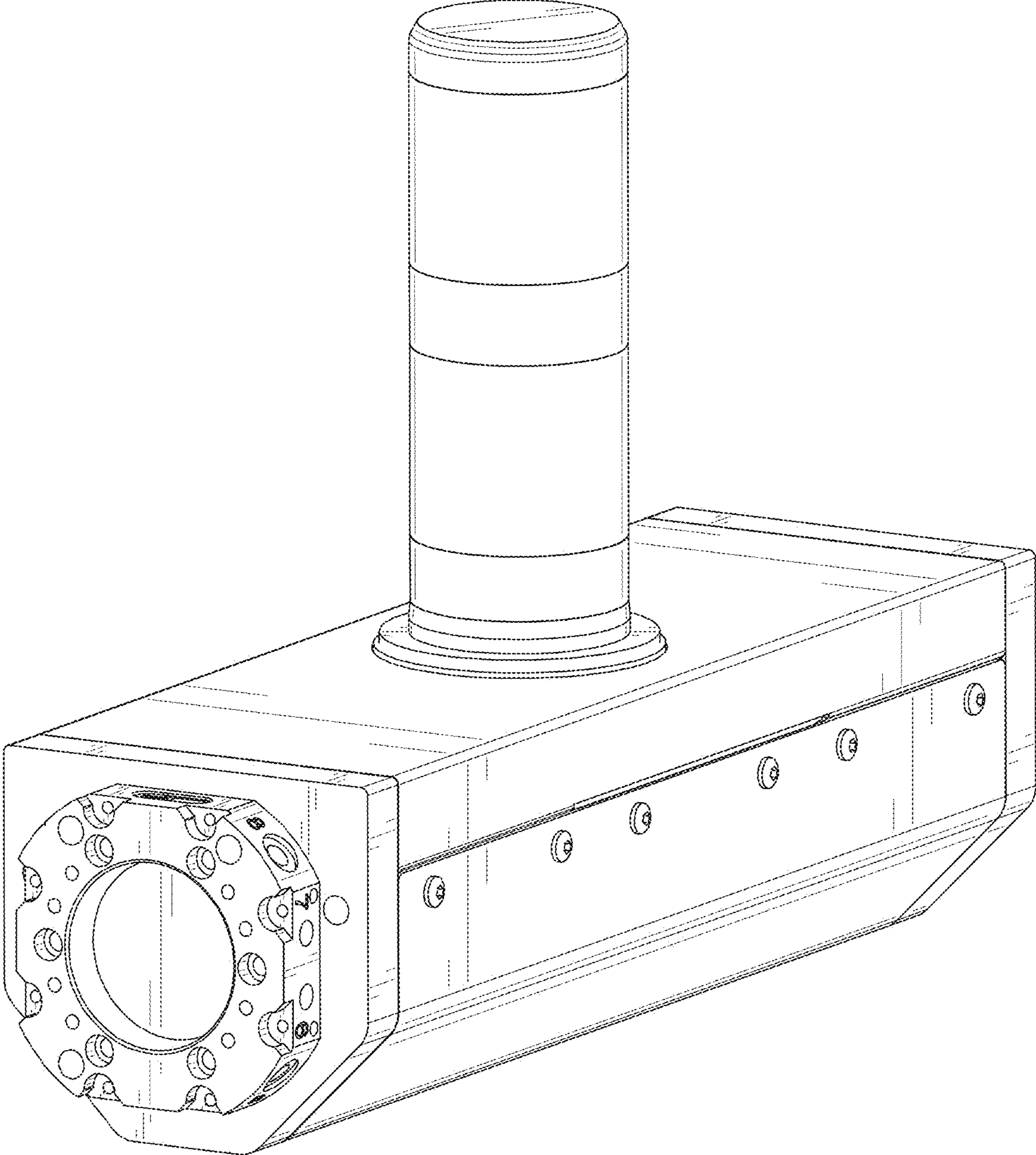


FIG. 1

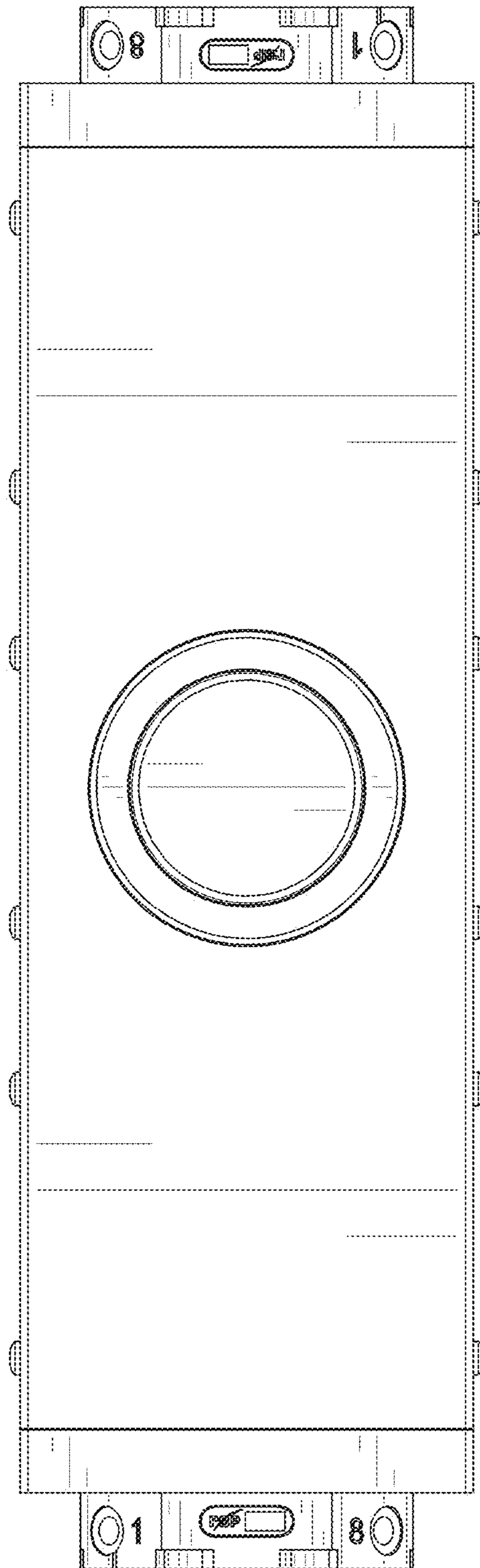


FIG. 2

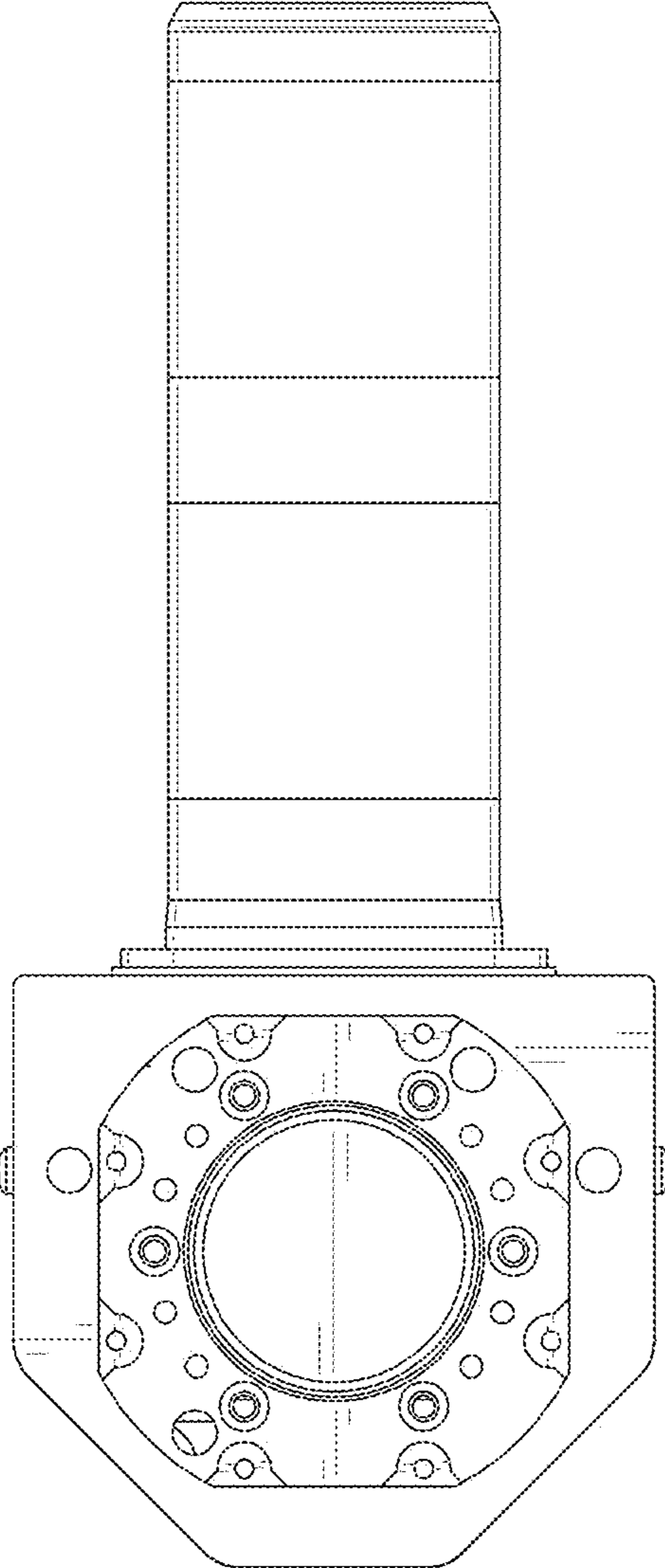


FIG. 3

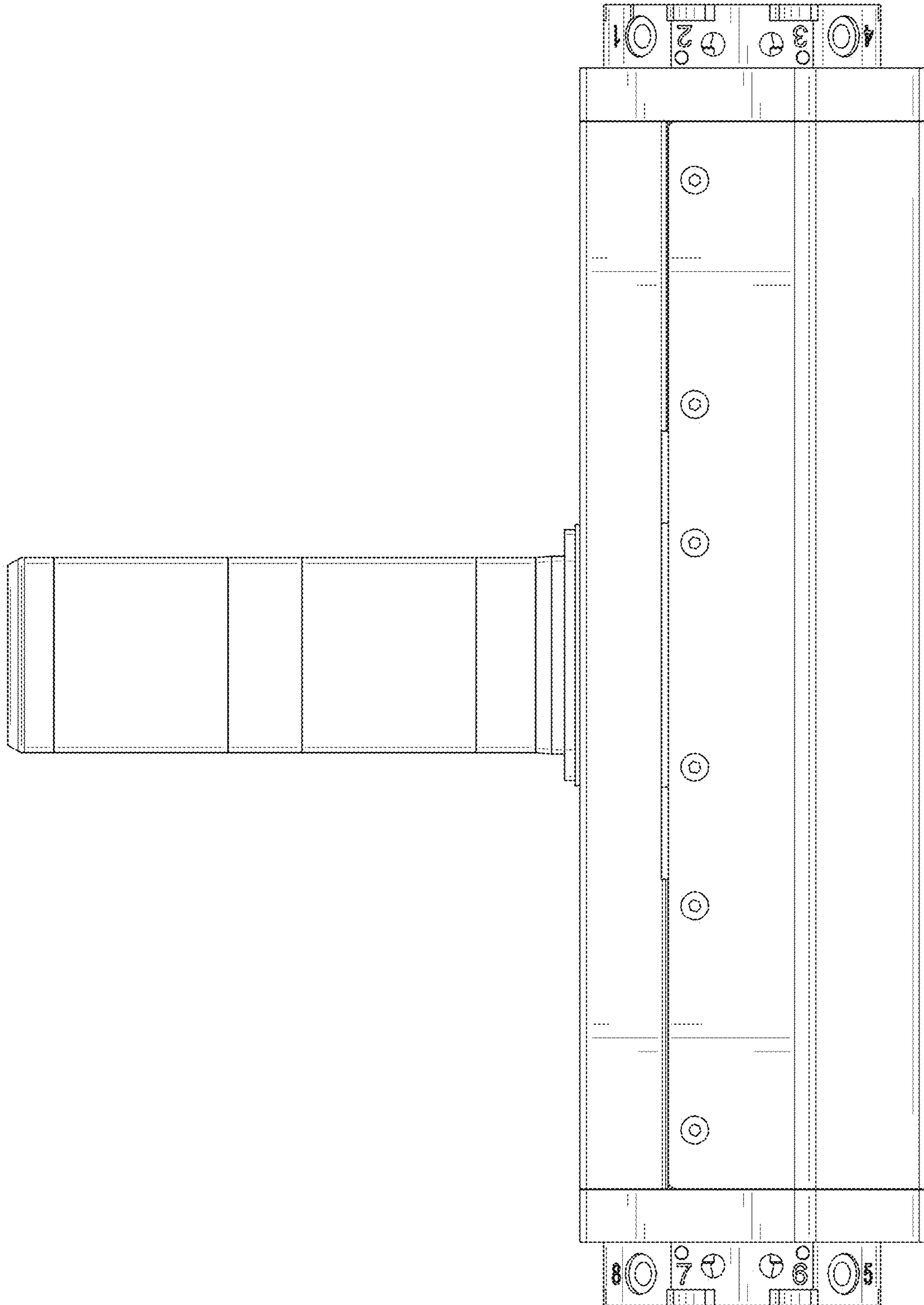


FIG. 4

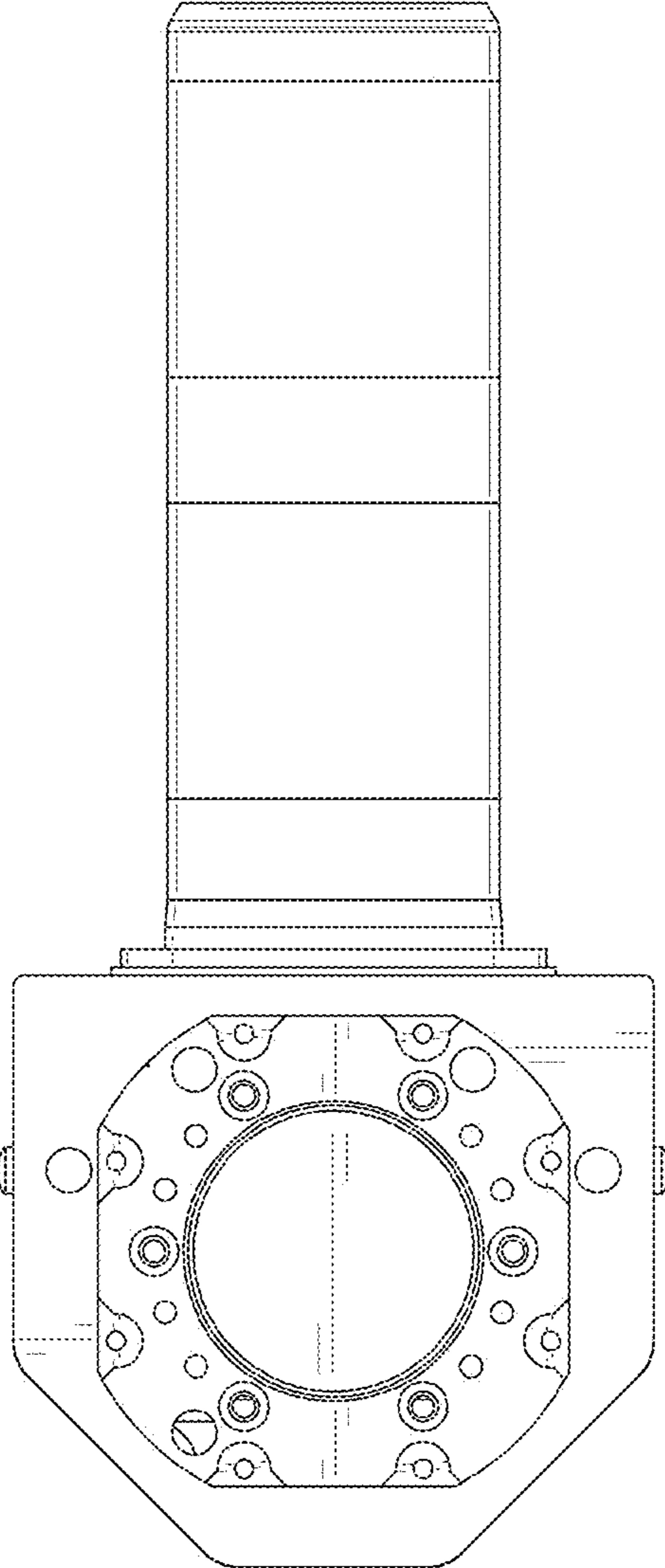


FIG. 5

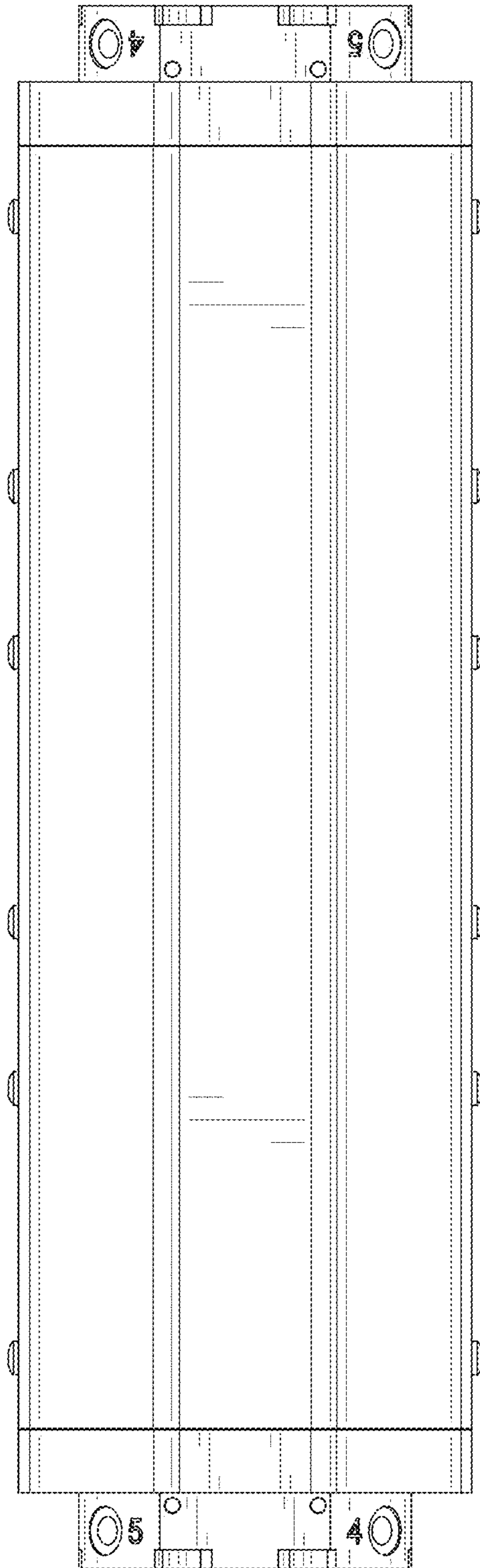


FIG. 6