



US00D980298S

(12) **United States Design Patent**
Miller et al.

(10) **Patent No.:** **US D980,298 S**
(45) **Date of Patent:** **** Mar. 7, 2023**

(54) **INSPECTION SYSTEM**

(71) Applicant: **Teledyne FLIR Detection, Inc.**,
Stillwater, OK (US)

(72) Inventors: **Randall Miller**, Chelmsford, MA (US);
Jordan D. Jesiolowski, Chelmsford,
MA (US); **Elliott Leslie**, Chelmsford,
MA (US); **Carl H. Vonnegut**,
Chelmsford, MA (US); **Tung L. Ng**,
Chelmsford, MA (US); **Christopher T.**
Brown, Chelmsford, MA (US)

(73) Assignee: **Teledyne FLIR Detection, Inc.**,
Stillwater, OK (US)

(**) Term: **15 Years**

(21) Appl. No.: **29/752,282**

(22) Filed: **Sep. 25, 2020**

(51) **LOC (14) Cl.** **15-99**

(52) **U.S. Cl.**
USPC **D15/199; D16/242**

(58) **Field of Classification Search**
USPC D8/14, 16, 19, 21, 82-86, 107, 34, 300,
D8/303, 314, 372, 374, 394; D15/199;
D24/133, 143, 146, 134, 137, 138, 142,
D24/200; D12/128-133
CPC A61B 1/00087; A61B 1/00147; A61B
1/00193; A61B 1/041; A61B 5/6882
See application file for complete search history.

(56) **References Cited**

U.S. PATENT DOCUMENTS

D746,353 S *	12/2015	Woodman	
D753,210 S *	4/2016	Gorsuch	
D757,843 S *	5/2016	Gorsuch	D16/242
D785,074 S *	4/2017	Woodman	D16/243
D822,671 S *	7/2018	Chu	
D841,707 S *	2/2019	Yamamoto	D15/199
D841,712 S *	2/2019	Hontani	D15/199

D844,039 S *	3/2019	Yoon	D15/199
D853,466 S *	7/2019	DeMarino	D16/243
10,486,311 B2 *	11/2019	Mozeika	B25J 13/006
10,486,757 B2 *	11/2019	Ohm	B62D 55/24

(Continued)

OTHER PUBLICATIONS

Packbot Mobile Robot; posted on youtube.com; posted Dec. 6, 2018, [online]; [site visited Jun. 10, 2022]; available from internet, URL: <https://www.youtube.com/watch?v=Z16QxKFvF2U> (Year: 2018).*

(Continued)

Primary Examiner — Michael C Stout
Assistant Examiner — Fritzgerald L Butac

(74) *Attorney, Agent, or Firm* — Haynes and Boone, LLP

(57) **CLAIM**

The ornamental design for an inspection system, as shown and described.

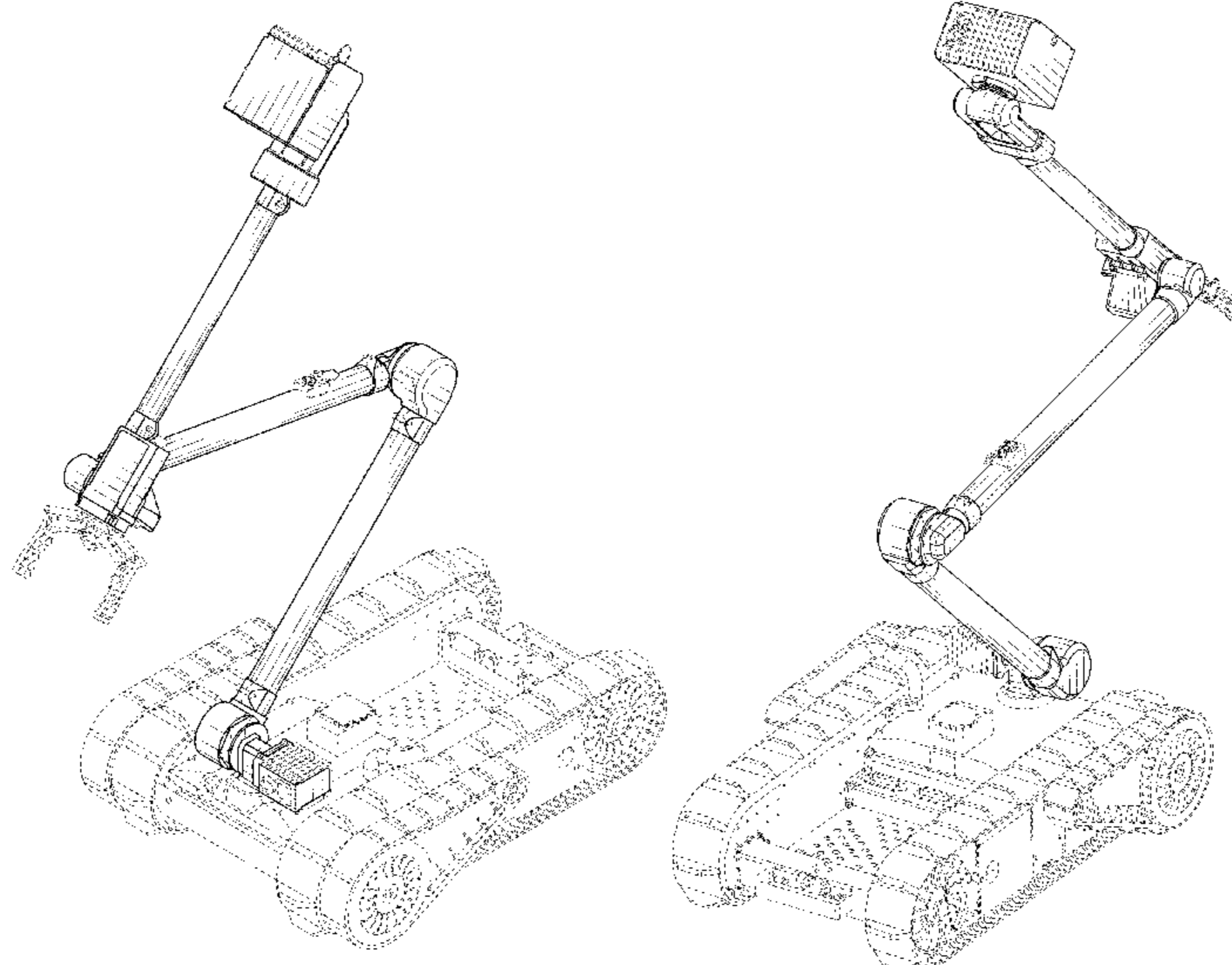
DESCRIPTION

This U.S. Design Patent Application is related to U.S. Design patent application Ser. No. 29/752,287 filed Sep. 25, 2020 and entitled "Housing," which is incorporated herein by reference in its entirety.

FIG. 1 is a front, left, and top perspective view of the inspection system embodying the new design;
FIG. 2 is a rear, right, and top perspective view thereof;
FIG. 3 is a front, left, and bottom perspective view thereof;
FIG. 4 is a front elevational view thereof;
FIG. 5 is a rear elevational view thereof;
FIG. 6 is a right side elevational view thereof;
FIG. 7 is a left side elevational view thereof;
FIG. 8 is a top plan view thereof; and,
FIG. 9 is a bottom plan view thereof.

The broken lines show portions of an inspection system which form no part of the claimed design.

1 Claim, 9 Drawing Sheets



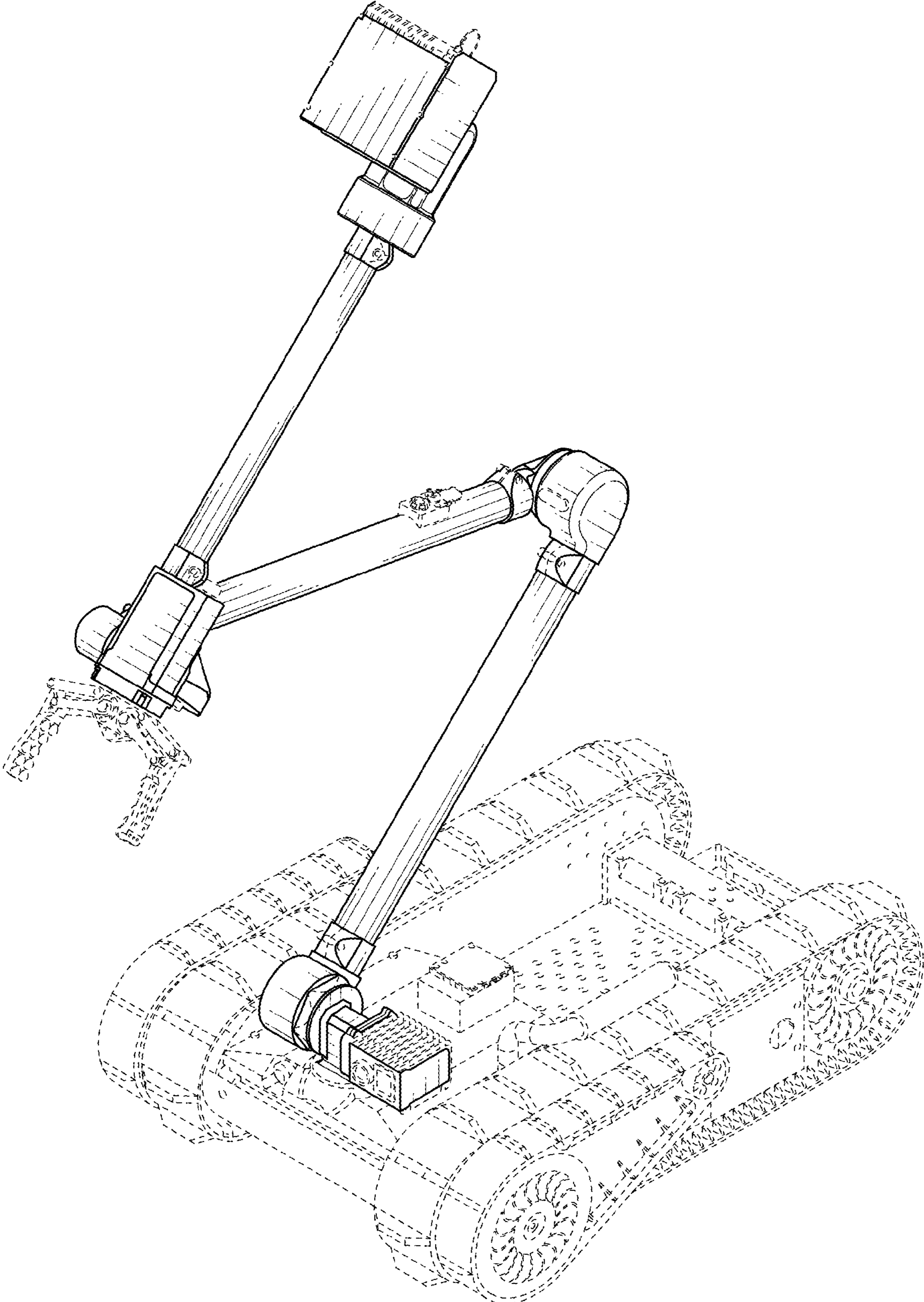


FIG. 1

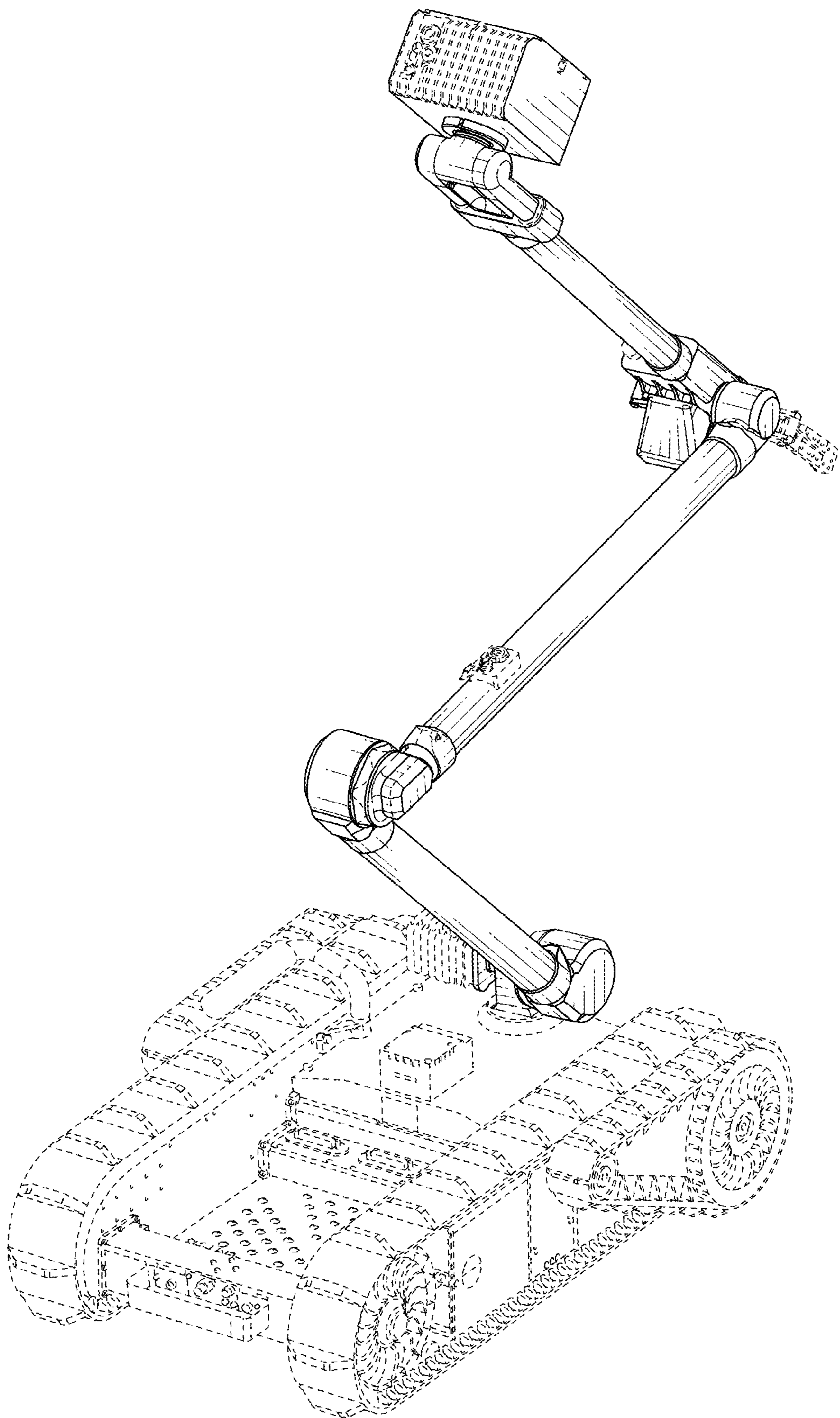


FIG. 2

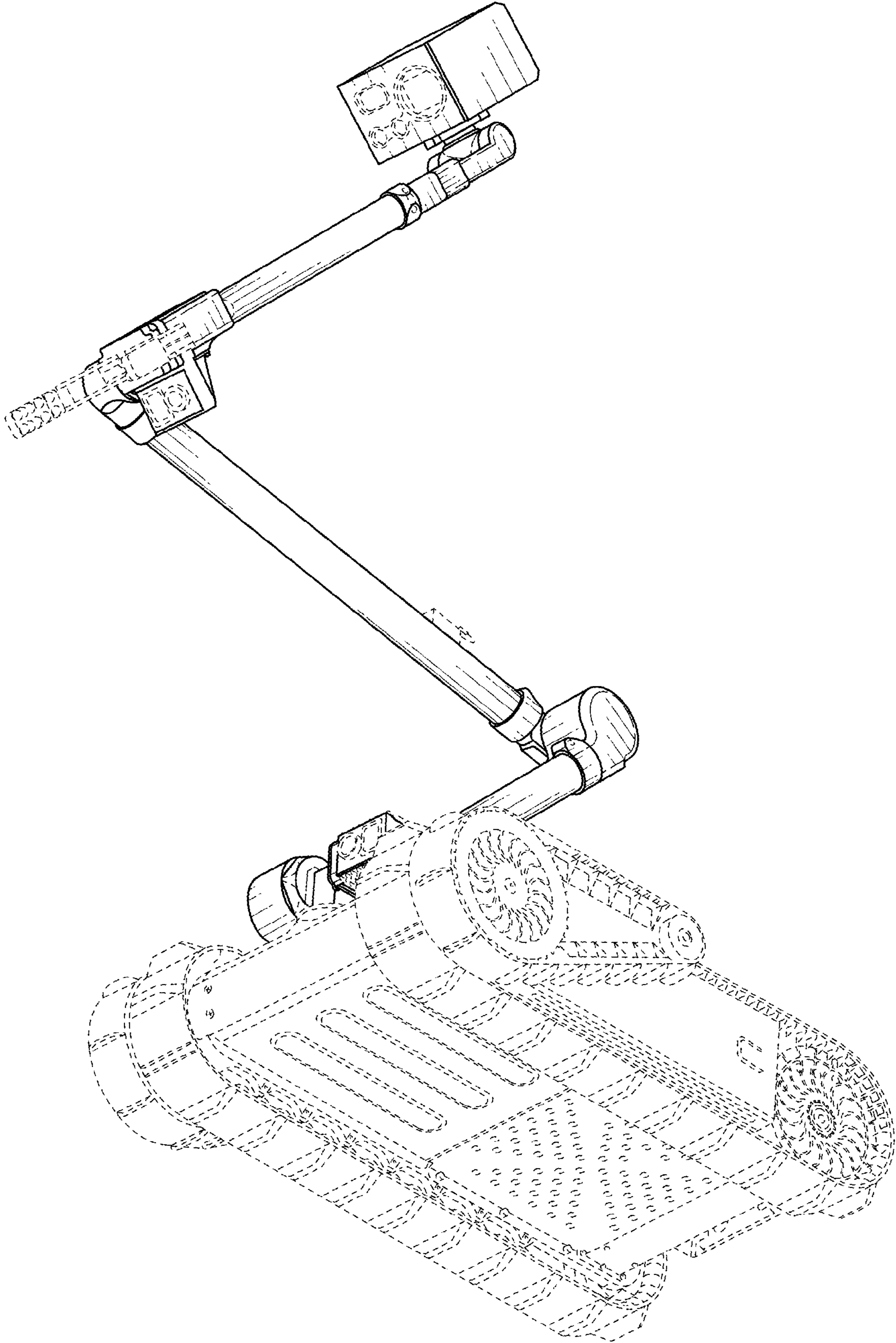


FIG. 3

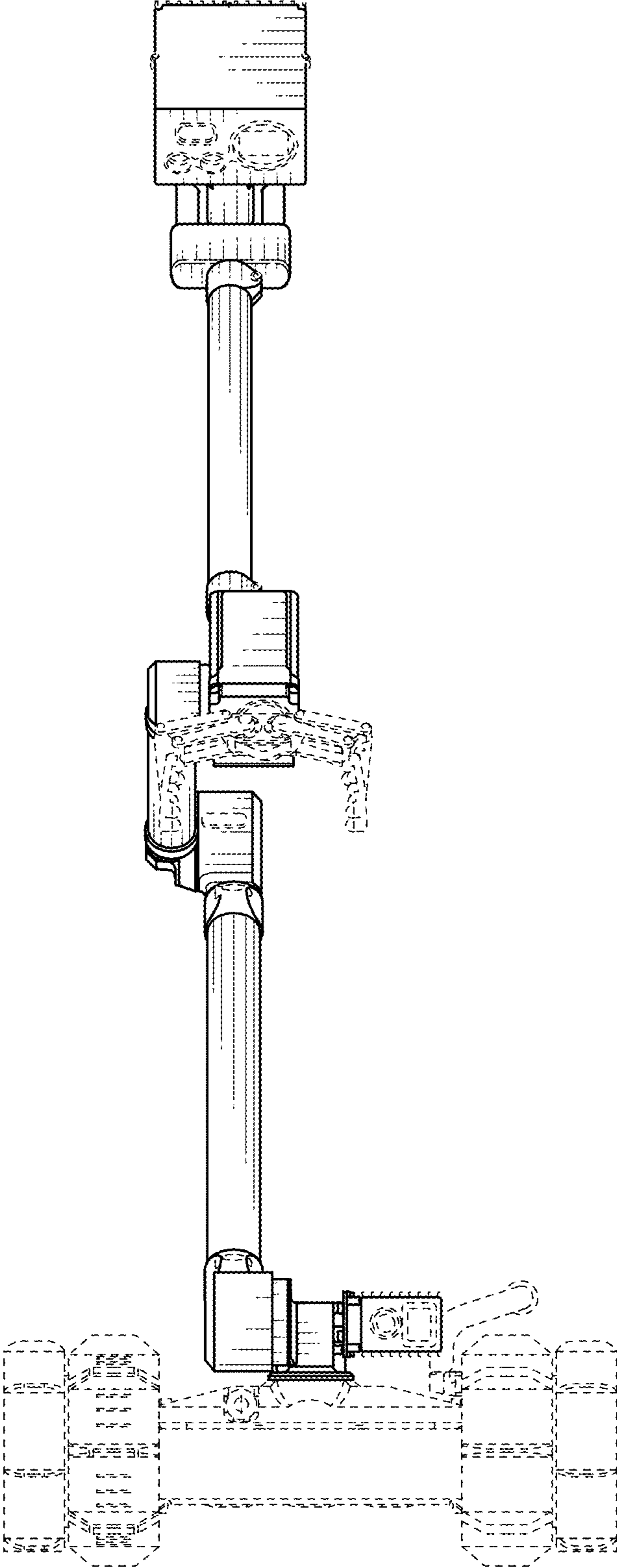


FIG. 4

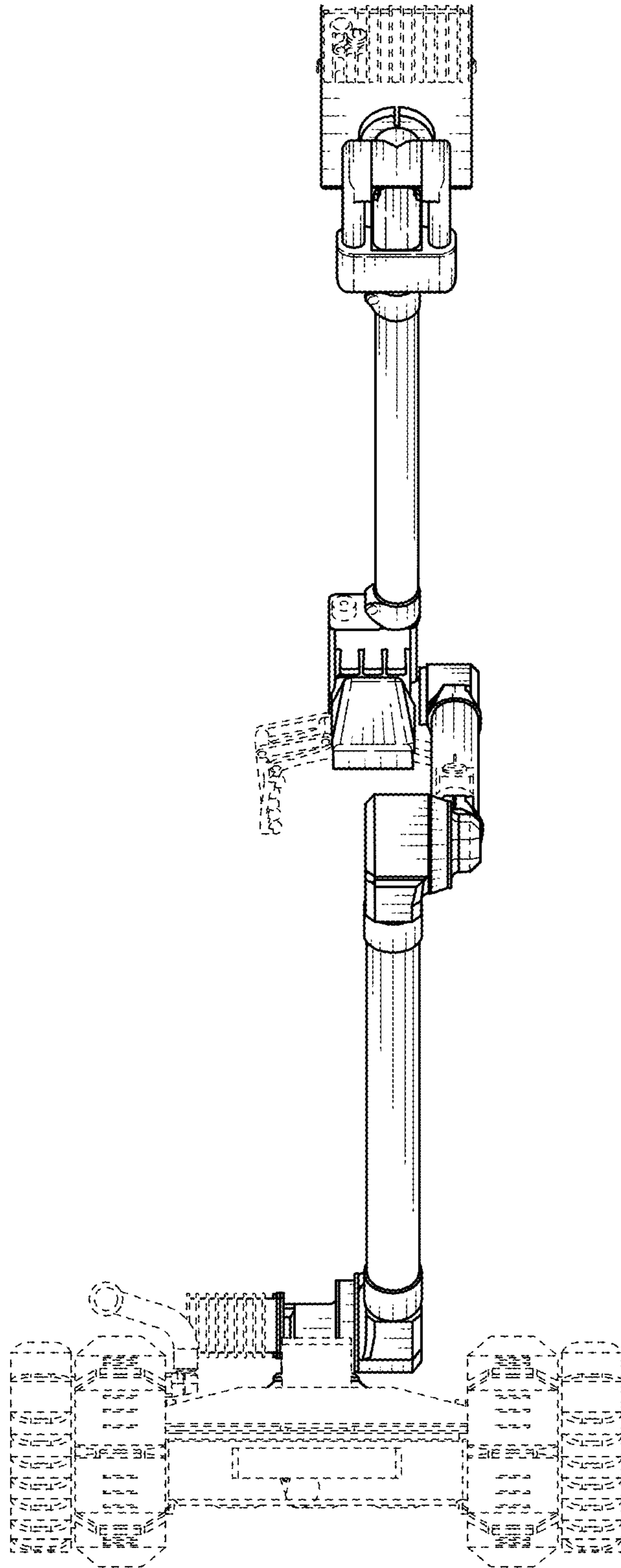


FIG. 5

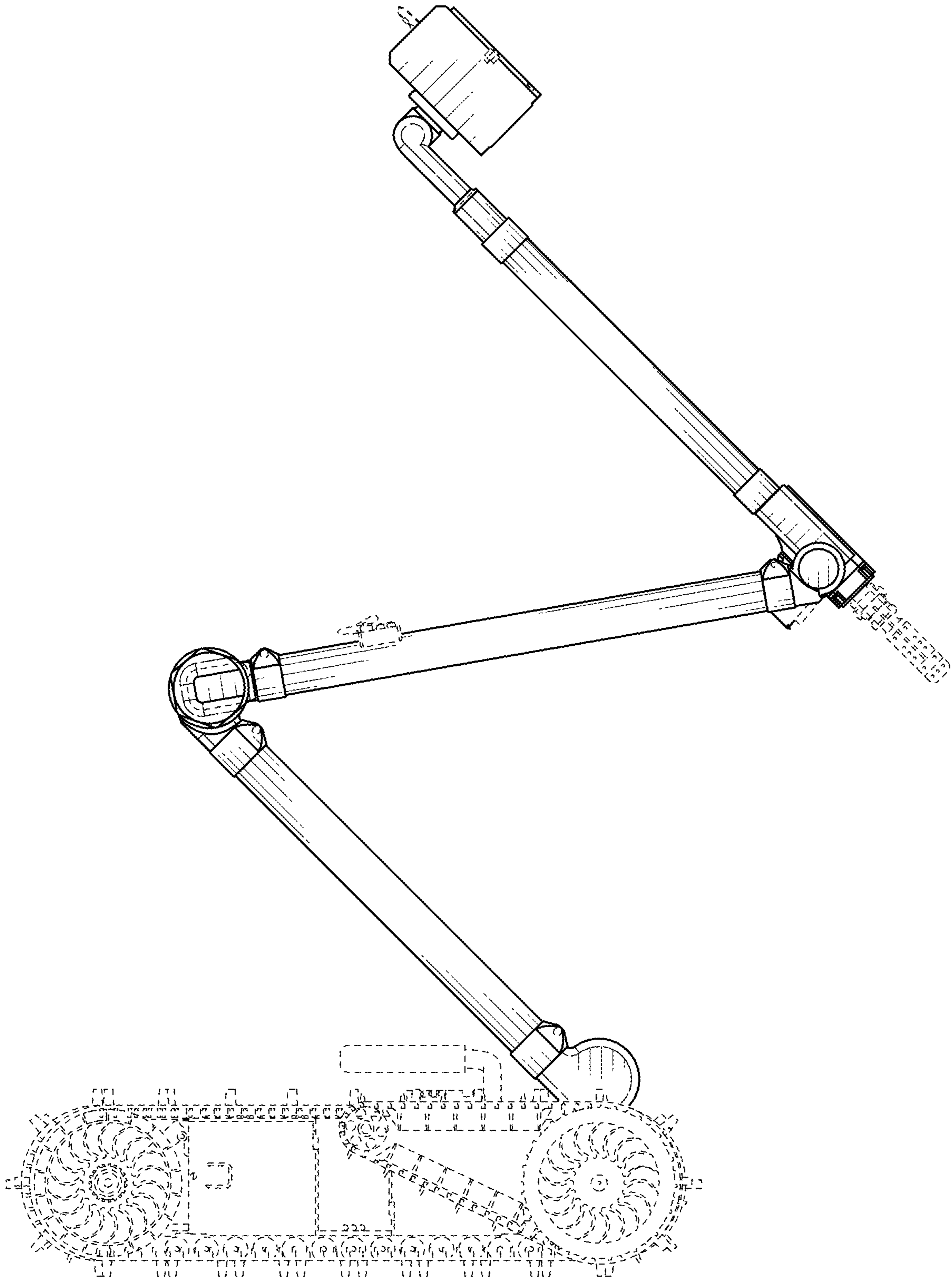


FIG. 6

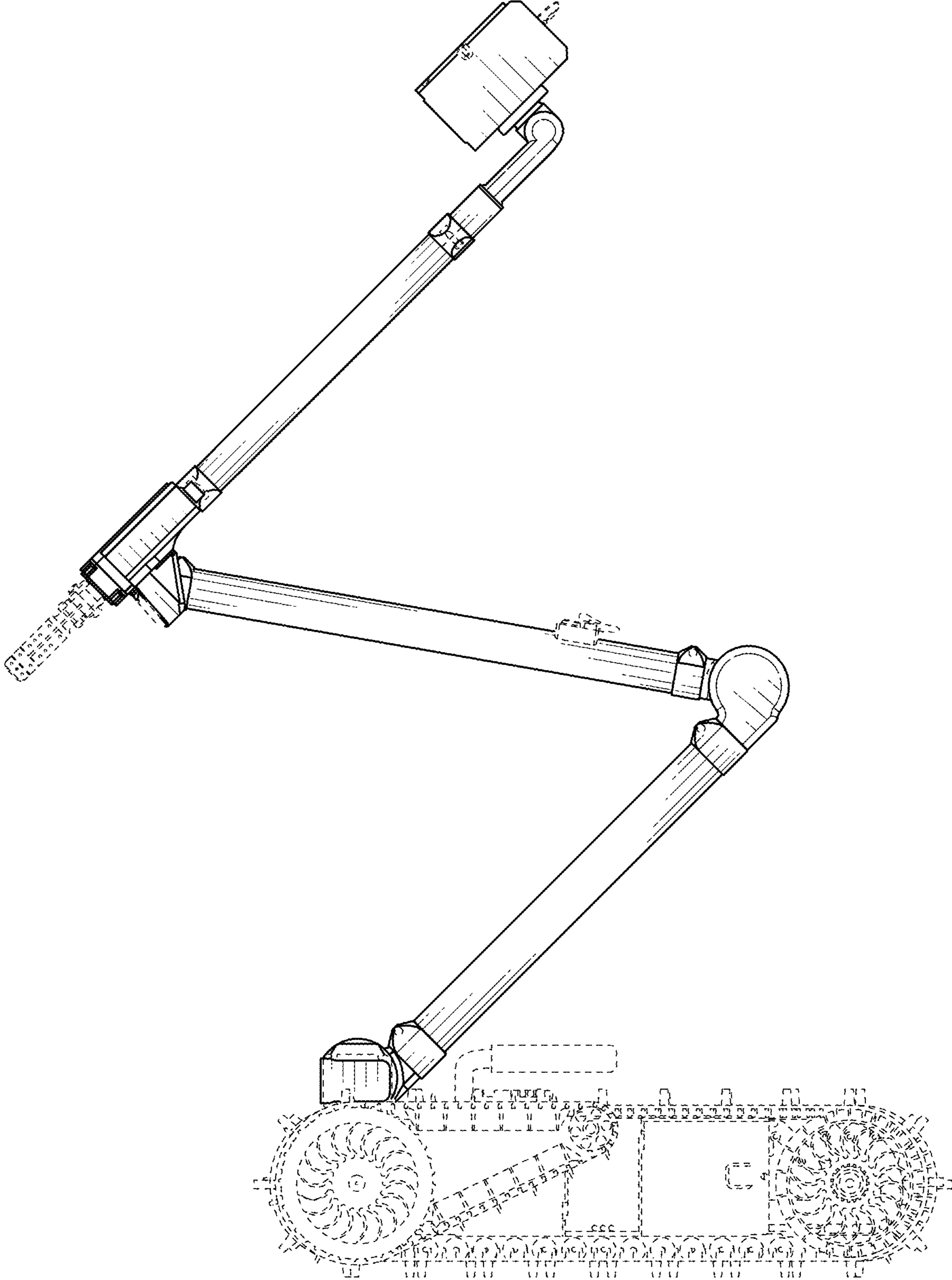


FIG. 7

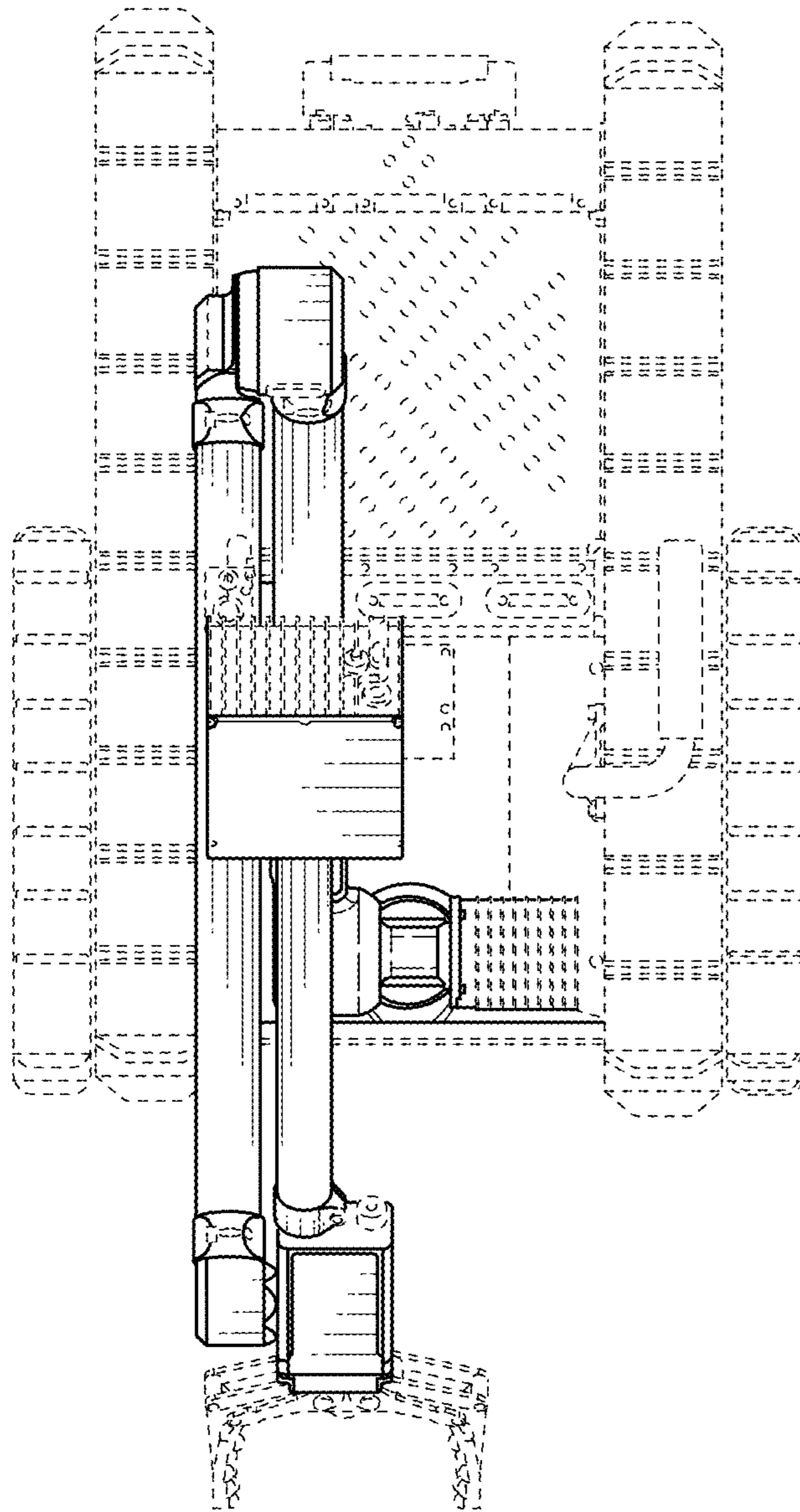


FIG. 8

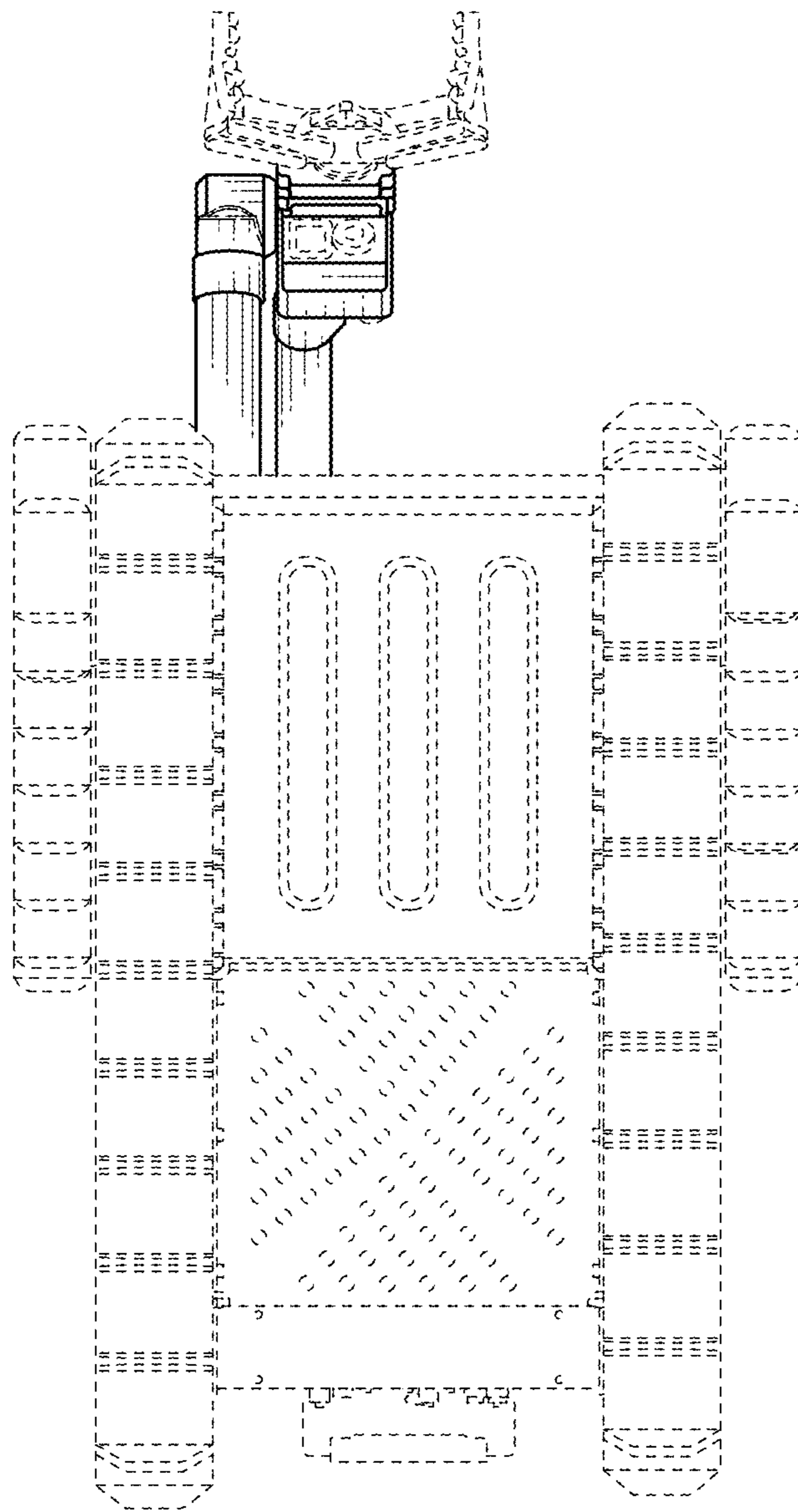


FIG. 9

UNITED STATES PATENT AND TRADEMARK OFFICE
CERTIFICATE OF CORRECTION

PATENT NO. : D980,298 S
APPLICATION NO. : 29/752282
DATED : March 7, 2023
INVENTOR(S) : Randall Miller et al.

Page 1 of 1

It is certified that error appears in the above-identified patent and that said Letters Patent is hereby corrected as shown below:

On the Title Page

Column 2 Line 2 In the Description:

Change "patent application Ser. No." to --Patent Application No.--.

Signed and Sealed this
Twenty-fifth Day of April, 2023
Katherine Kelly Vidal

Katherine Kelly Vidal
Director of the United States Patent and Trademark Office