



US00D980295S

(12) **United States Design Patent**
He et al.

(10) **Patent No.: US D980,295 S**
(45) **Date of Patent: ** Mar. 7, 2023**

(54) **3D PRINTER**

(71) Applicant: **Shenzhen AtomStack Technologies Co., Ltd.**, Guangdong (CN)

(72) Inventors: **Yun He**, Guangdong (CN); **Huigang Lin**, Guangdong (CN)

(73) Assignee: **SHENZHEN ATOMSTACK TECHNOLOGIES CO., LTD.**, Shenzhen (CN)

(**) Term: **15 Years**

(21) Appl. No.: **29/783,867**

(22) Filed: **May 16, 2021**

(30) **Foreign Application Priority Data**

Nov. 16, 2020 (CN) 202030691924.7

(51) **LOC (14) Cl.** **15-09**

(52) **U.S. Cl.**
USPC **D15/122**

(58) **Field of Classification Search**
USPC D15/122, 135, 138, 199; D18/6-7, 14, D18/19, 50, 54, 54.1, 55, 59
CPC .. B29C 47/12; B29C 67/0059; B29C 67/6659
See application file for complete search history.

(56) **References Cited**

U.S. PATENT DOCUMENTS

D722,108 S *	2/2015	Reches	D18/50
D740,863 S *	10/2015	Kemperle	D15/122
D791,203 S *	7/2017	Zhang	D15/135
D799,567 S *	10/2017	Cesar	D15/122
D799,568 S *	10/2017	Cesar	D15/122
D861,749 S *	10/2019	Besim	D15/122

D899,471 S *	10/2020	Liu	D15/122
D930,055 S *	9/2021	Oshima	B29C 64/00
				D15/122
D933,723 S *	10/2021	Chen	D15/122
D943,011 S *	2/2022	Besim	D15/122
D958,236 S *	7/2022	Wu	D18/50
2016/0176108 A1 *	6/2016	Tadin	B33Y 30/00
				425/375
2019/0212716 A1 *	7/2019	Lee	G05B 19/4099
2021/0112845 A1 *	4/2021	Fan	A23P 20/20
2021/0206074 A1 *	7/2021	Lee	B29C 64/25

* cited by examiner

Primary Examiner — Patricia A Palasik

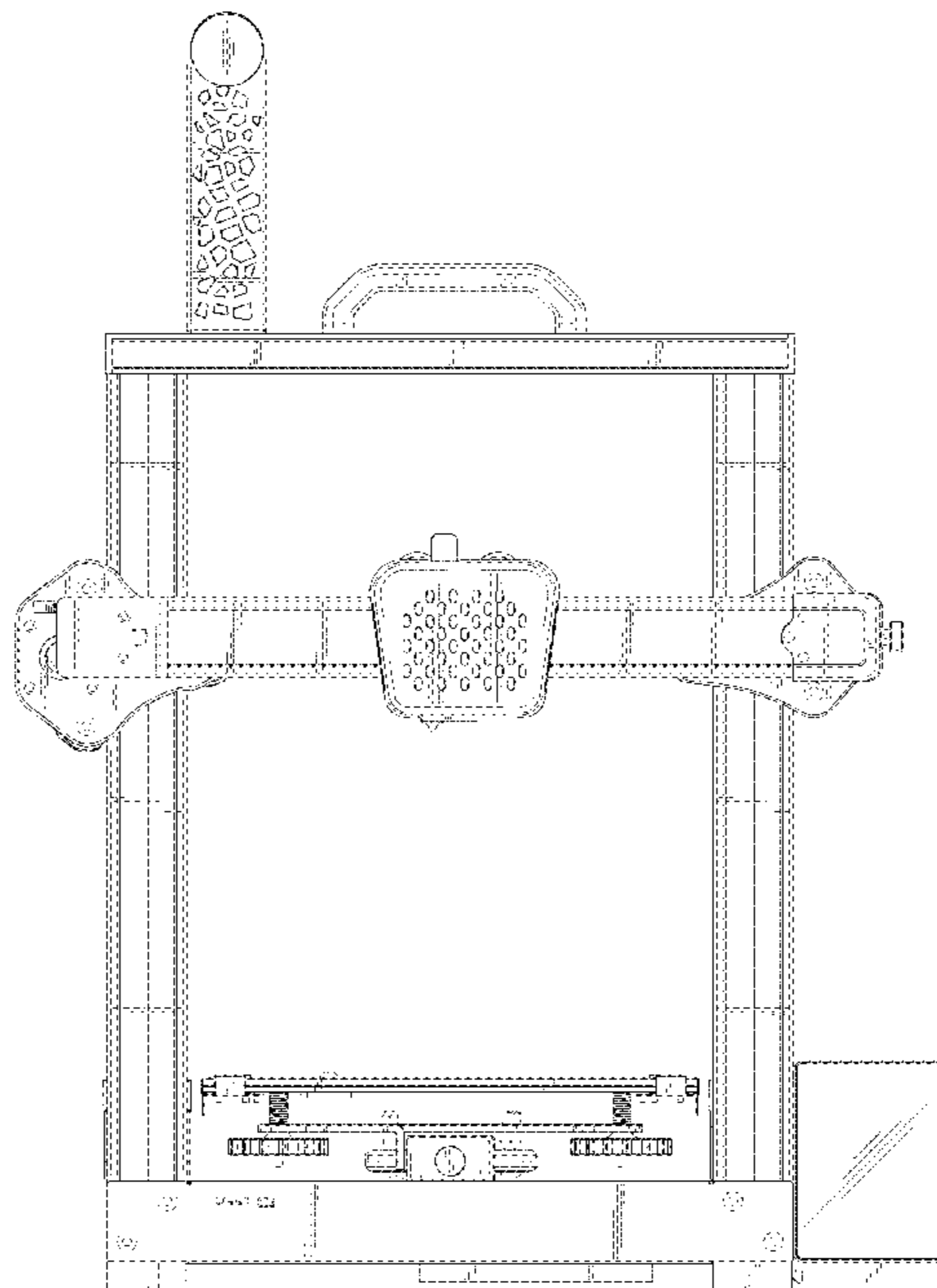
(57) **CLAIM**

The ornamental design for a 3D printer, as shown and described.

DESCRIPTION

FIG. 1 is a front elevational view of a 3D printer showing our new design;
 FIG. 2 is a rear elevational view thereof;
 FIG. 3 is a left side view thereof;
 FIG. 4 is a right side view thereof;
 FIG. 5 is a top plan view thereof;
 FIG. 6 is a bottom plan view thereof;
 FIG. 7 is a top, front and right side perspective view thereof;
 FIG. 8 is a bottom, front and left side perspective view thereof;
 FIG. 9 is a top, rear and left side perspective view thereof;
 and,
 FIG. 10 is a bottom, rear and right side perspective view thereof.
 The broken lines in the drawings illustrate portions of the 3D printer which form no part of the claimed design.

1 Claim, 10 Drawing Sheets



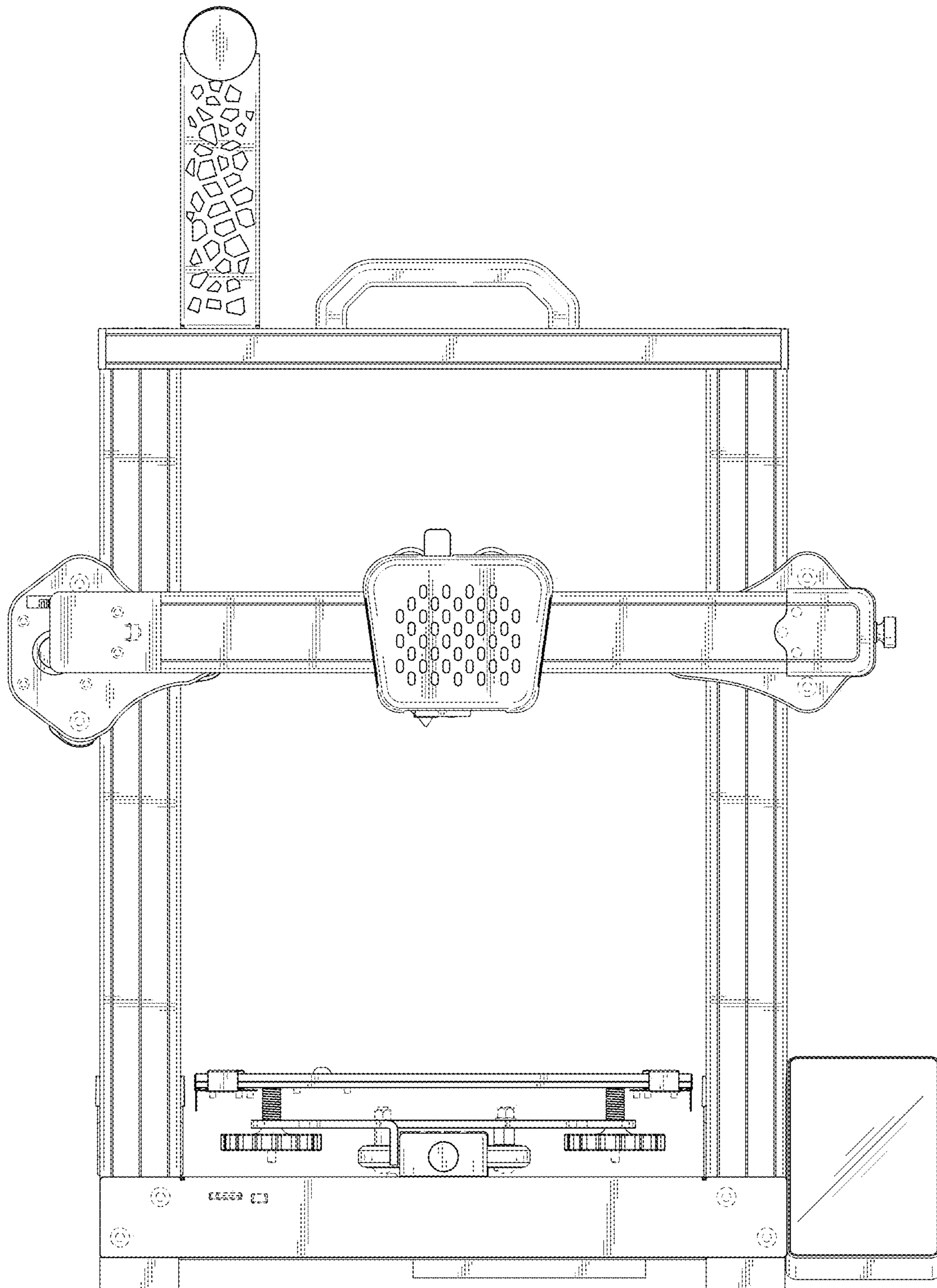


FIG. 1

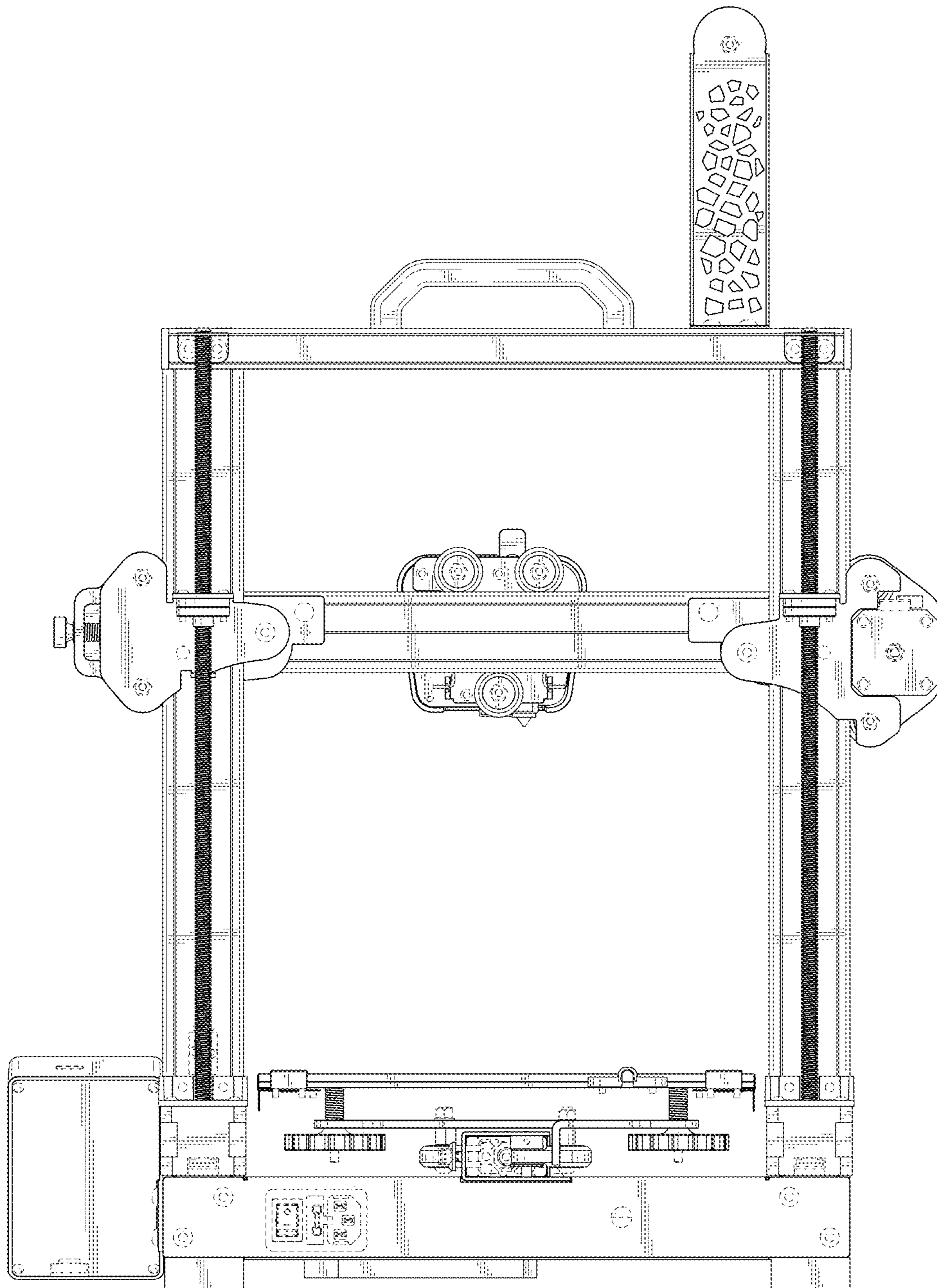


FIG. 2

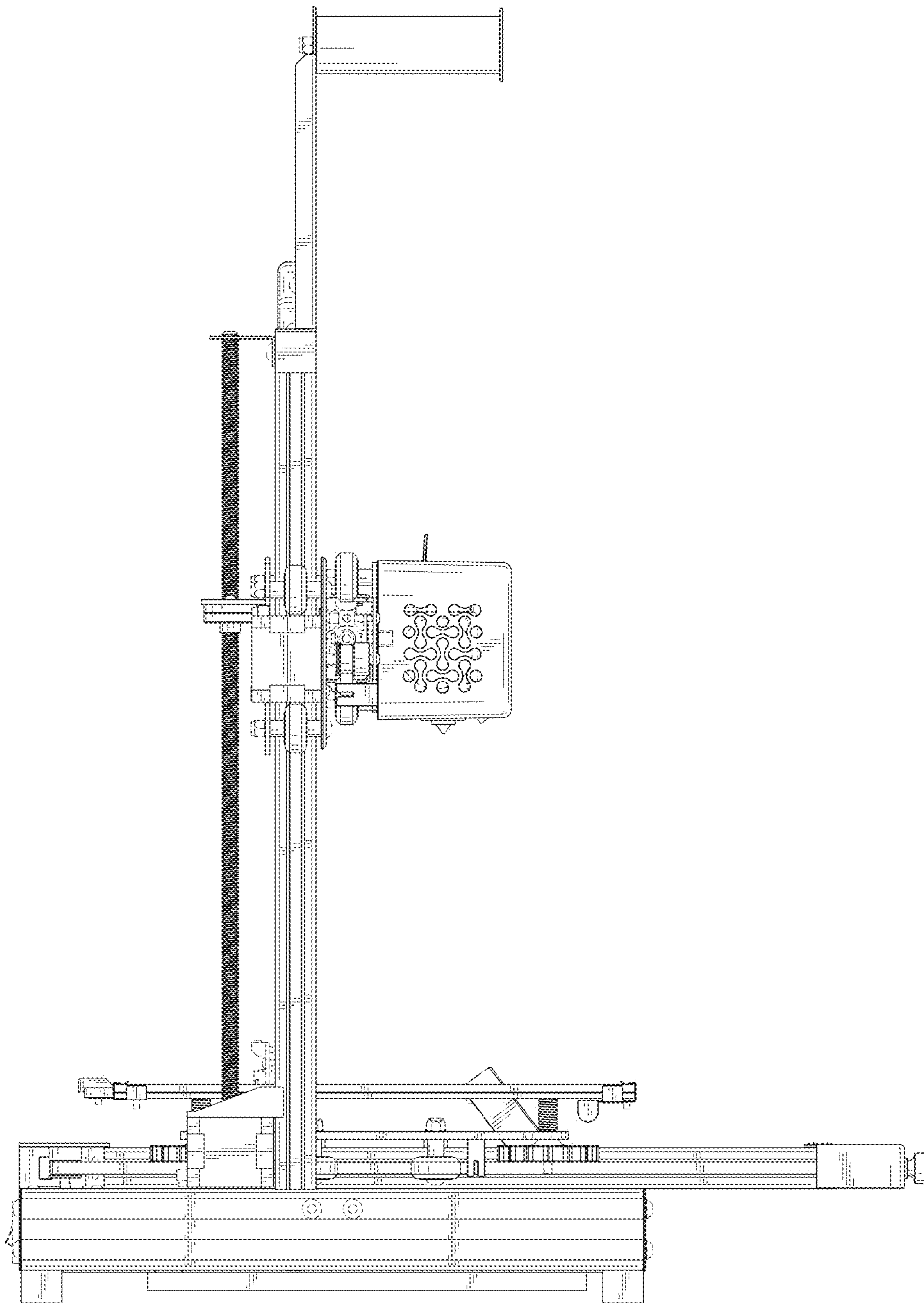


FIG. 3

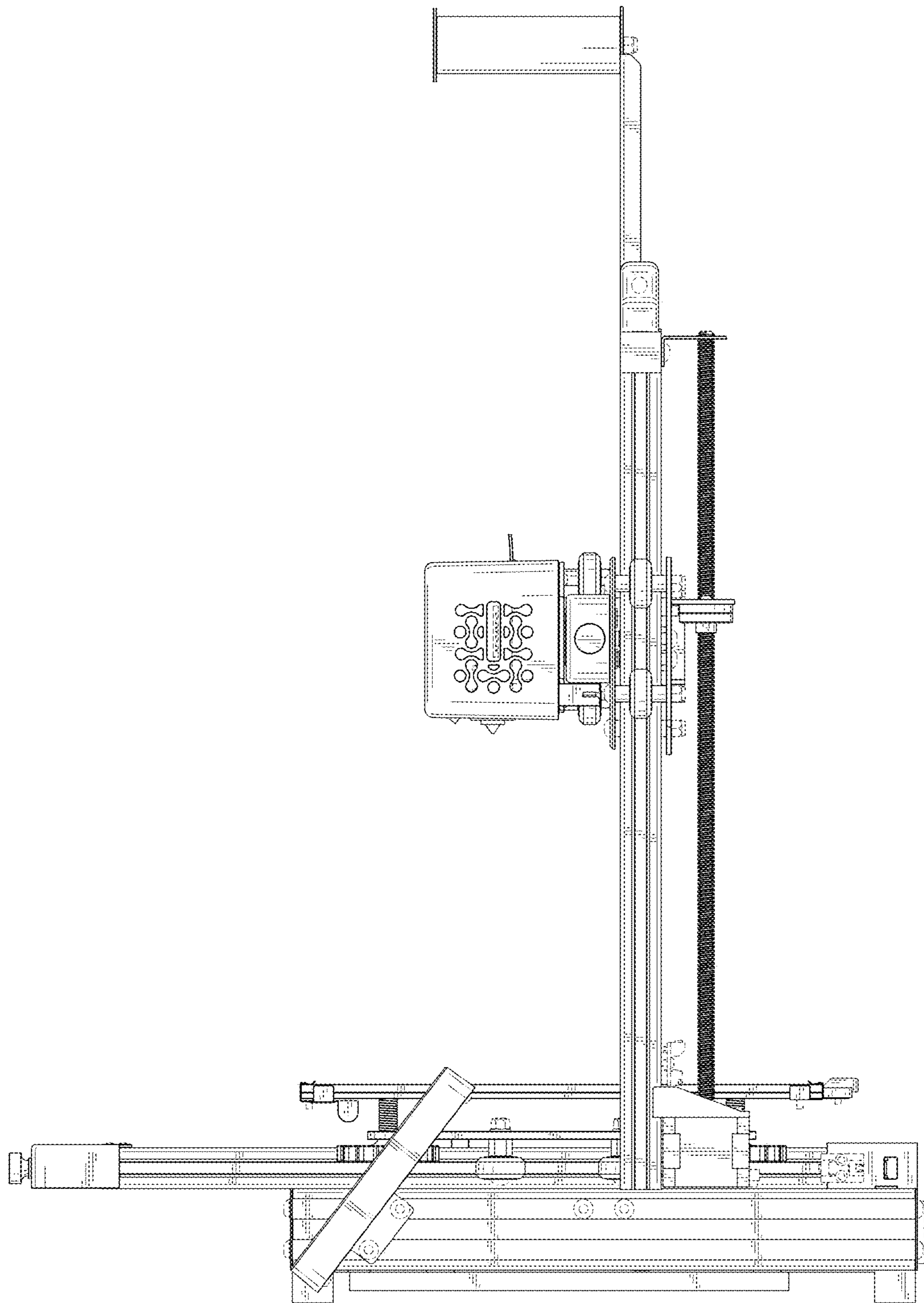


FIG. 4

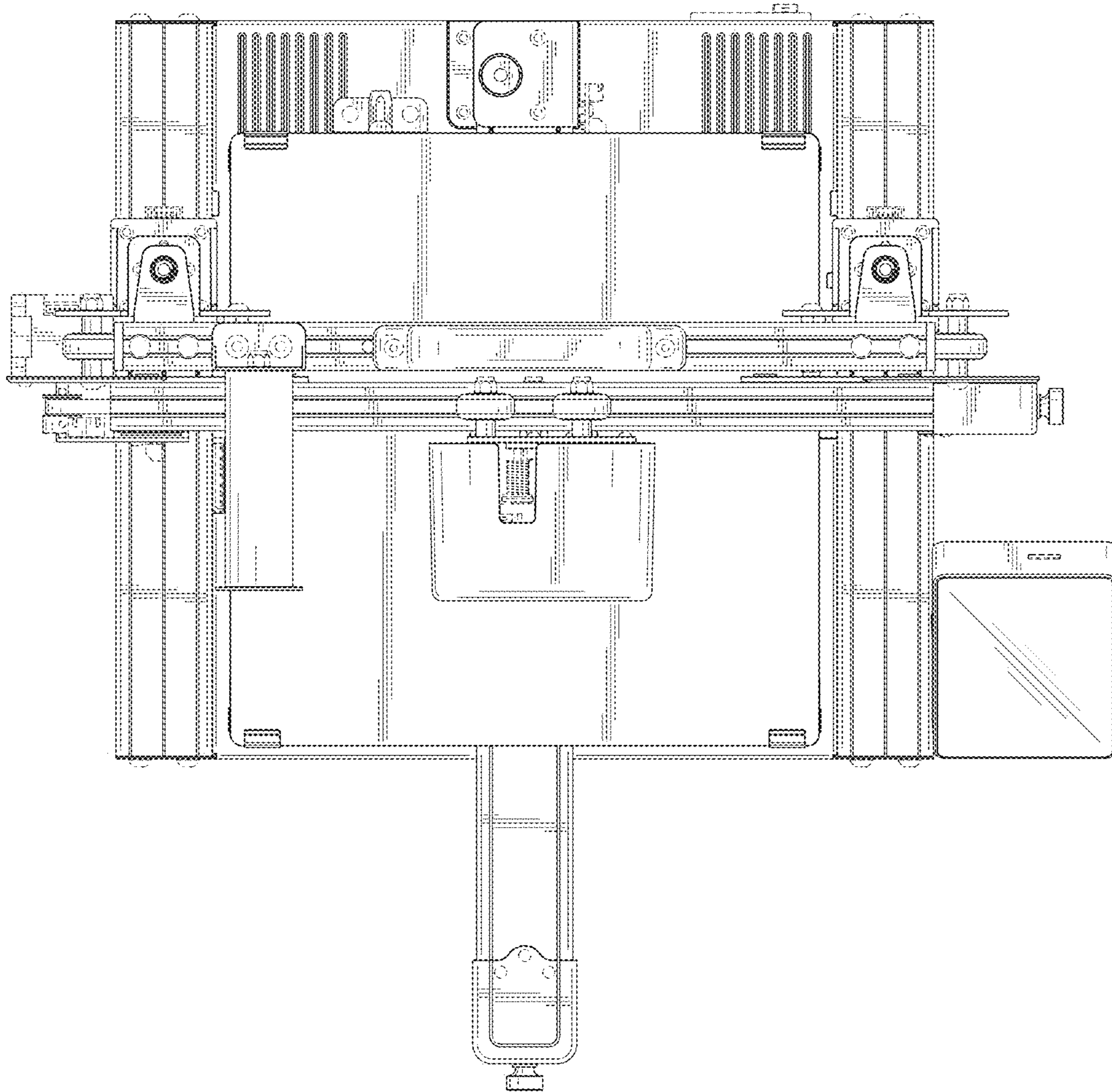


FIG. 5

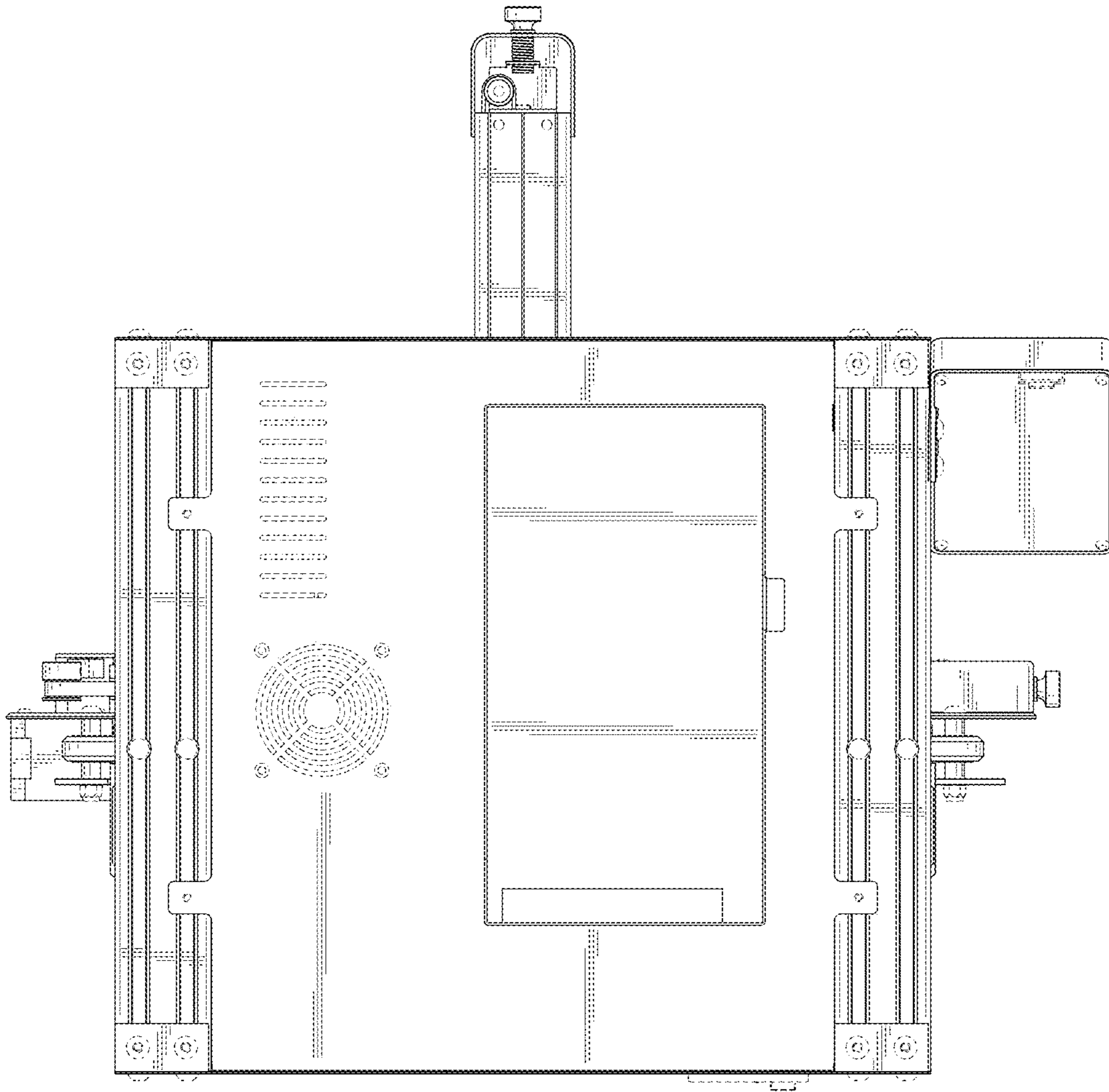


FIG. 6

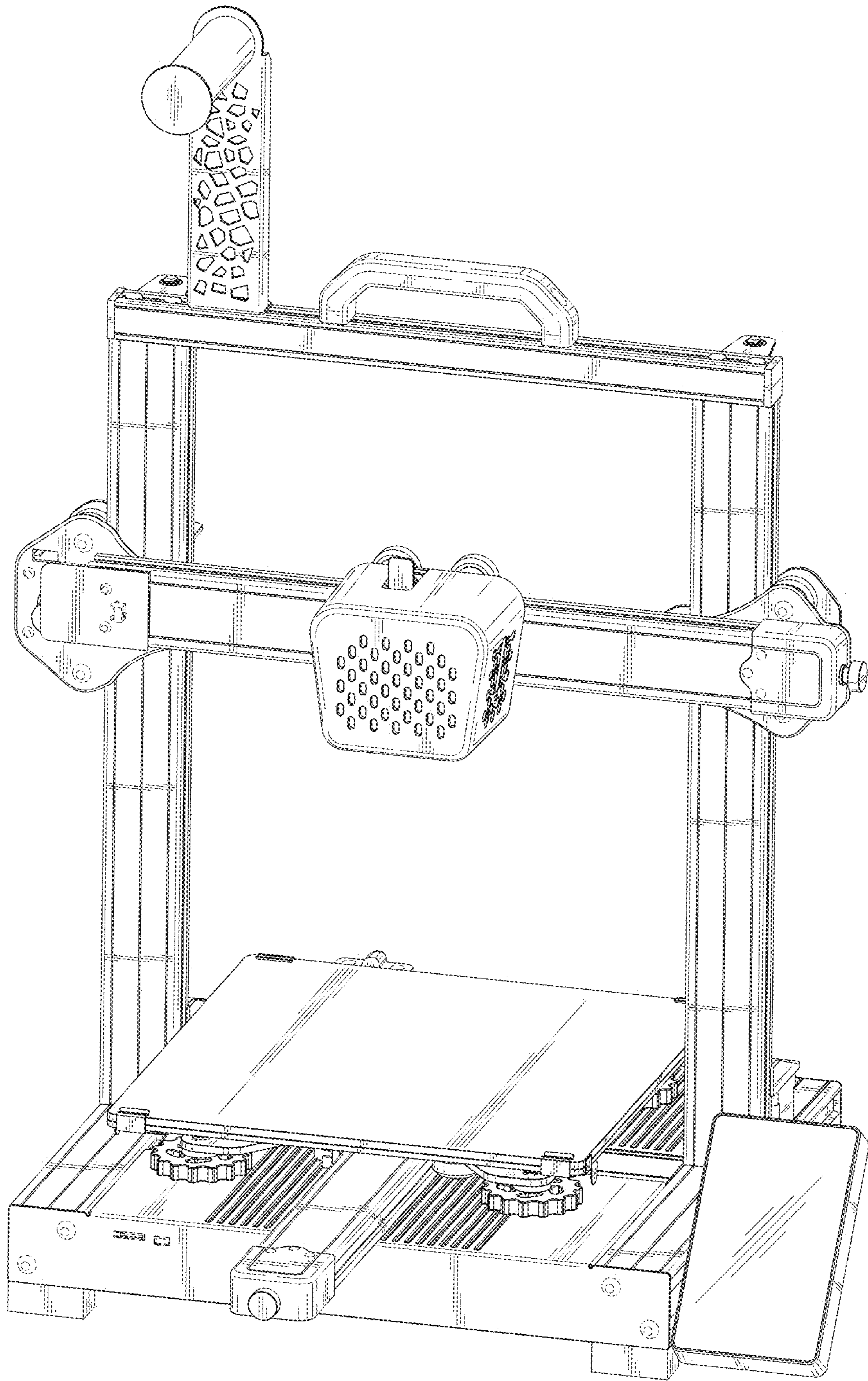


FIG. 7

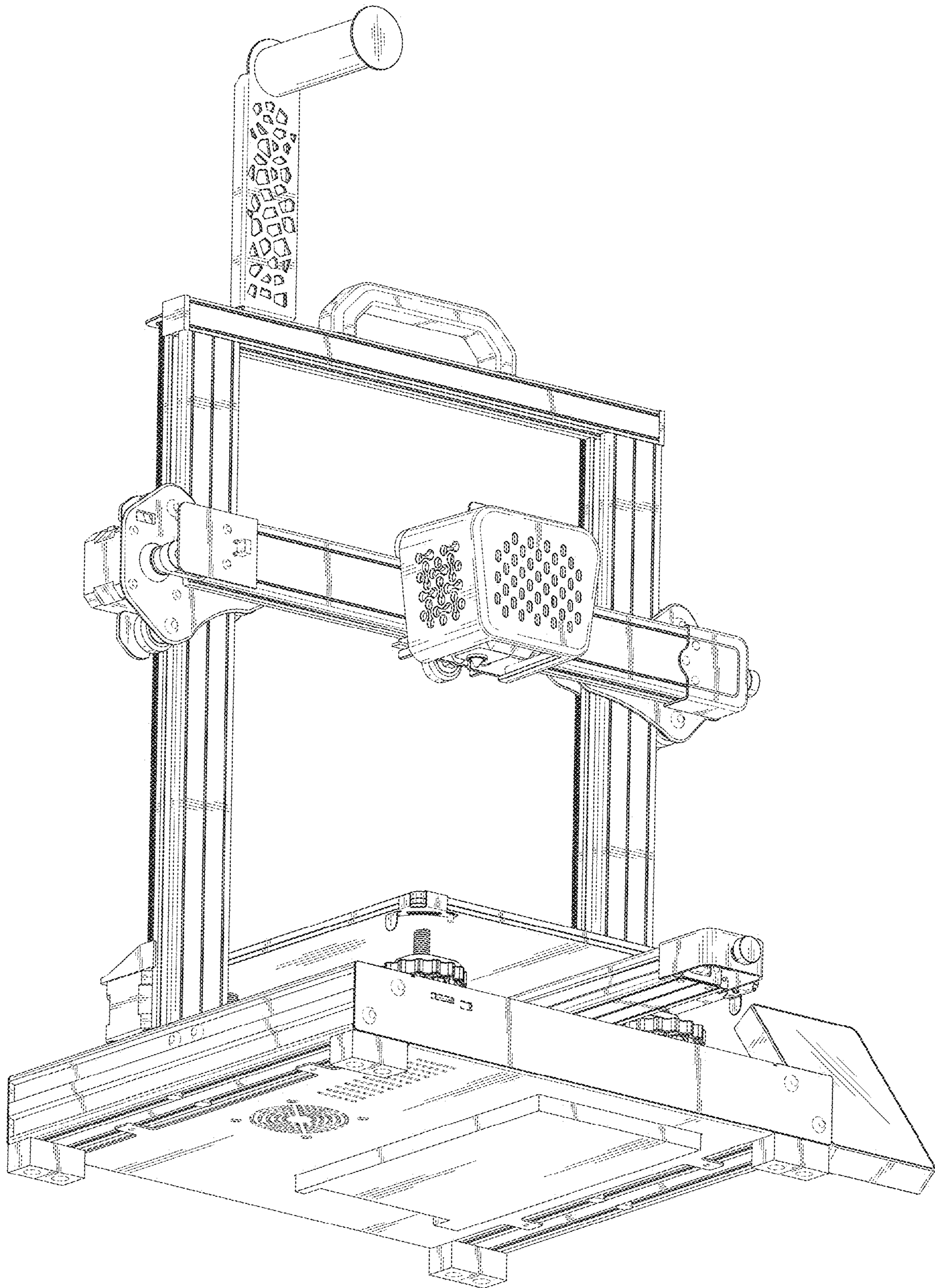


FIG. 8

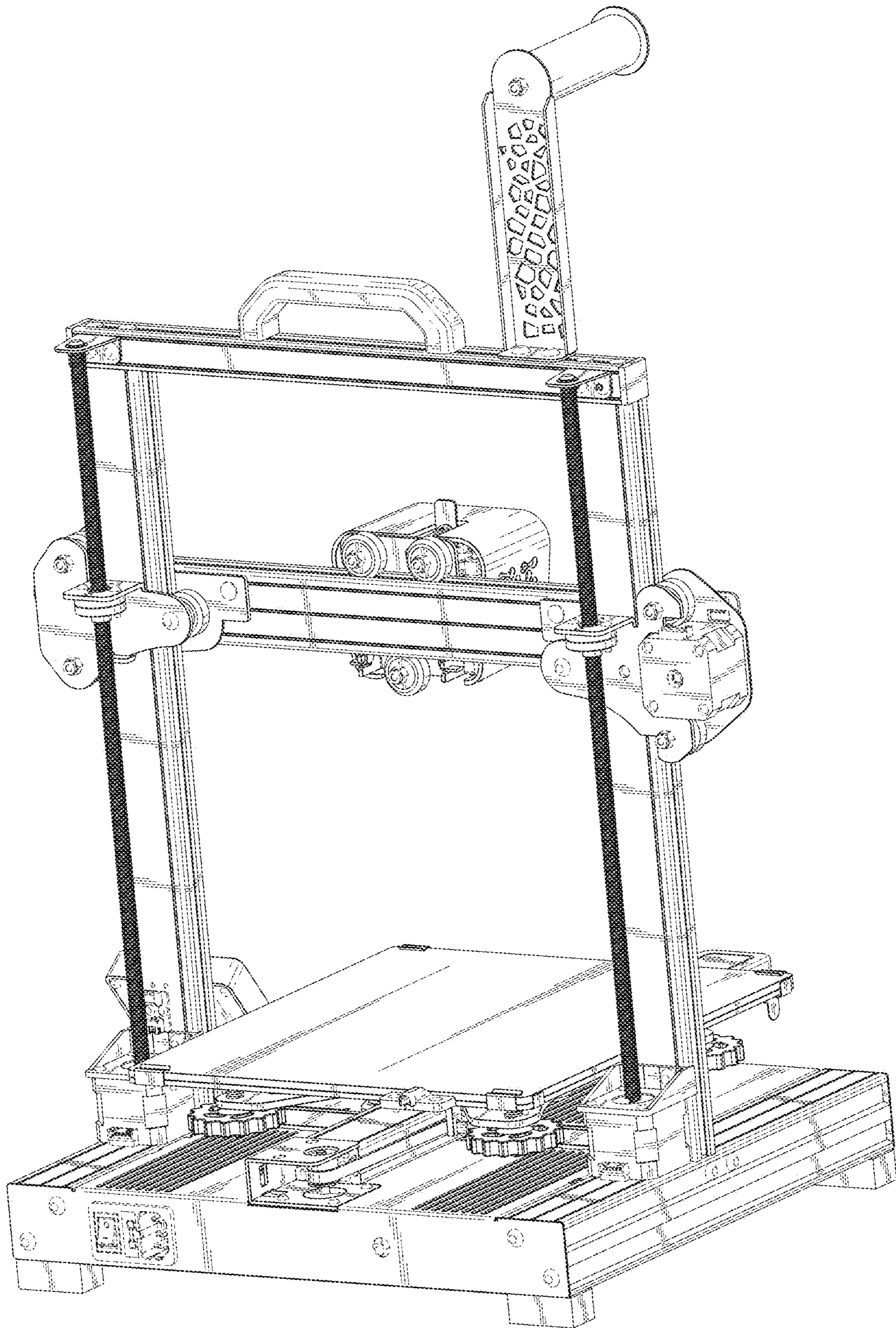


FIG. 9

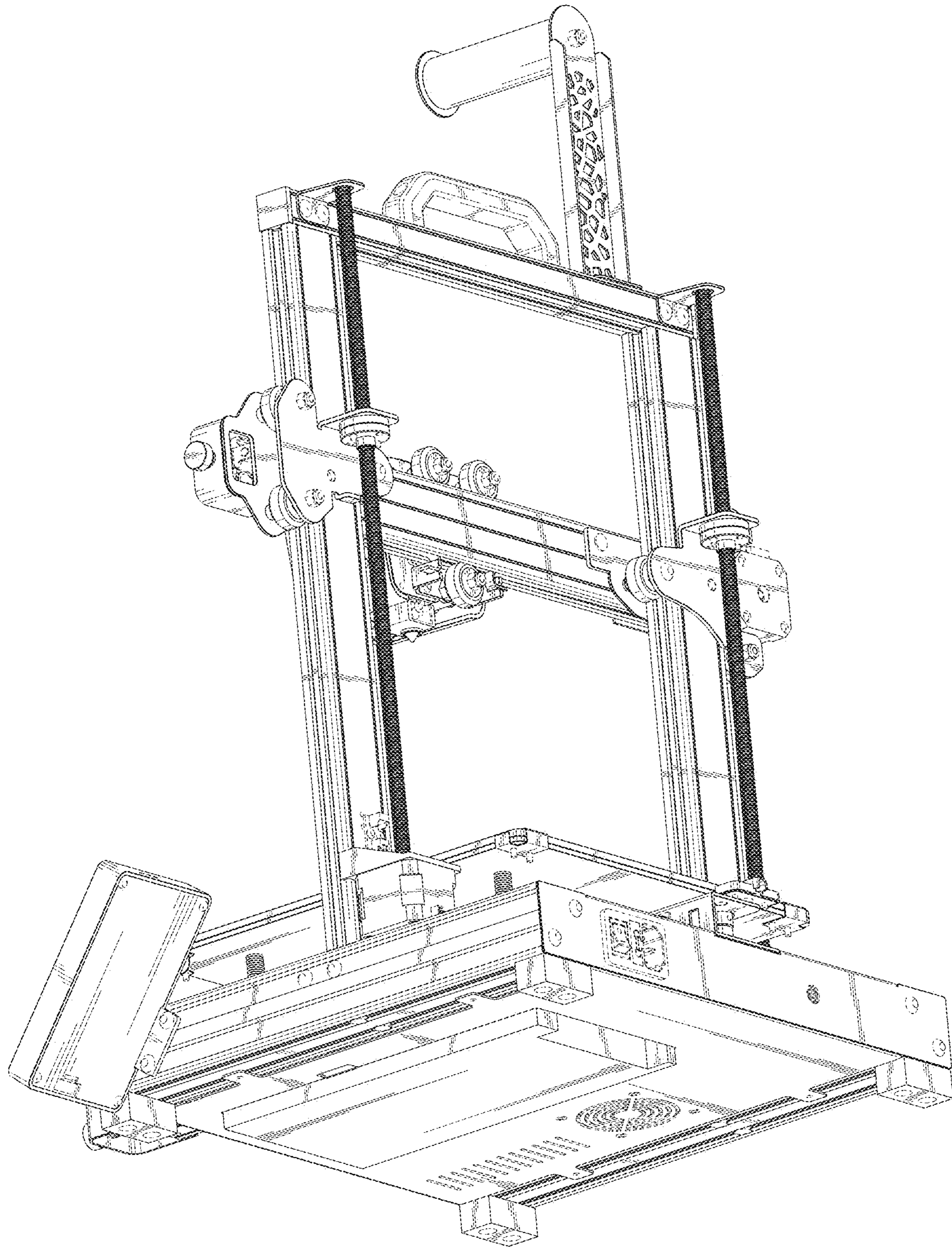


FIG. 10