



US00D980292S

(12) **United States Design Patent**
Kimura

(10) **Patent No.:** **US D980,292 S**
(45) **Date of Patent:** **** Mar. 7, 2023**

(54) **ENGINE HOOD FOR WORKING MACHINE**

(71) Applicant: **Kubota Corporation**, Osaka (JP)

(72) Inventor: **Chihiro Kimura**, Sakai (JP)

(73) Assignee: **Kubota Corporation**, Osaka (JP)

(**) Term: **15 Years**

(21) Appl. No.: **35/513,601**

(22) Filed: **Dec. 22, 2021**

(80) **Hague Agreement Data**

Int. Filing Date: **Dec. 22, 2021**

Int. Reg. No.: **DM/218654**

Int. Reg. Date: **Dec. 22, 2021**

Int. Reg. Pub. Date: **Feb. 11, 2022**

(30) **Foreign Application Priority Data**

Jul. 29, 2021 (JP) 2021-016434D

(51) **LOC (14) Cl.** **15-03**

(52) **U.S. Cl.**
USPC **D15/31**

(58) **Field of Classification Search**

USPC D15/10, 15, 23, 28, 31; D12/173

CPC .. B60R 19/52; B62D 49/00-85; B62D 25/00;

B62D 25/10; B62D 25/081

See application file for complete search history.

(56) **References Cited**

U.S. PATENT DOCUMENTS

D458,944 S *	6/2002	Crookes	D15/31
D526,335 S *	8/2006	Kuwae	D15/23
D553,159 S *	10/2007	Higashikawa	D15/15
D557,714 S *	12/2007	Higashikawa	D15/31
D564,544 S *	3/2008	Higashikawa	D15/26
D599,826 S *	9/2009	Kuwae	D15/26
D600,255 S *	9/2009	Kushita	D15/26
D642,598 S *	8/2011	Wikner	D15/31
D678,353 S *	3/2013	Kakudate	D15/23

D690,327 S *	9/2013	Kim	D15/31
D706,837 S *	6/2014	Takagi	D15/23
D706,841 S *	6/2014	Shimomura	D15/31
D716,846 S *	11/2014	Carter	D15/31
D720,369 S *	12/2014	Furukawa	D15/26
D720,371 S *	12/2014	Furukawa	D15/31

(Continued)

FOREIGN PATENT DOCUMENTS

IN	2185531-0001	*	9/2008
JP	D1518657	*	2/2015

OTHER PUBLICATIONS

Kubota, M5-111 Utility Tractors, (site visited Dec. 22, 2022),
Kubota Canada, URL:<<https://kubota.ca/products/M5111>> (Year:
2022).*

(Continued)

Primary Examiner — Calvin E Vansant

Assistant Examiner — Mark T. Philipps

(74) *Attorney, Agent, or Firm* — The Webb Law Firm

(57) **CLAIM**

The ornamental design for an engine hood for working
machine, as shown and described.

DESCRIPTION

1. Engine hood for working machine

1.1 : Front

1.2 : Left

1.3 : Right

1.4 : Top

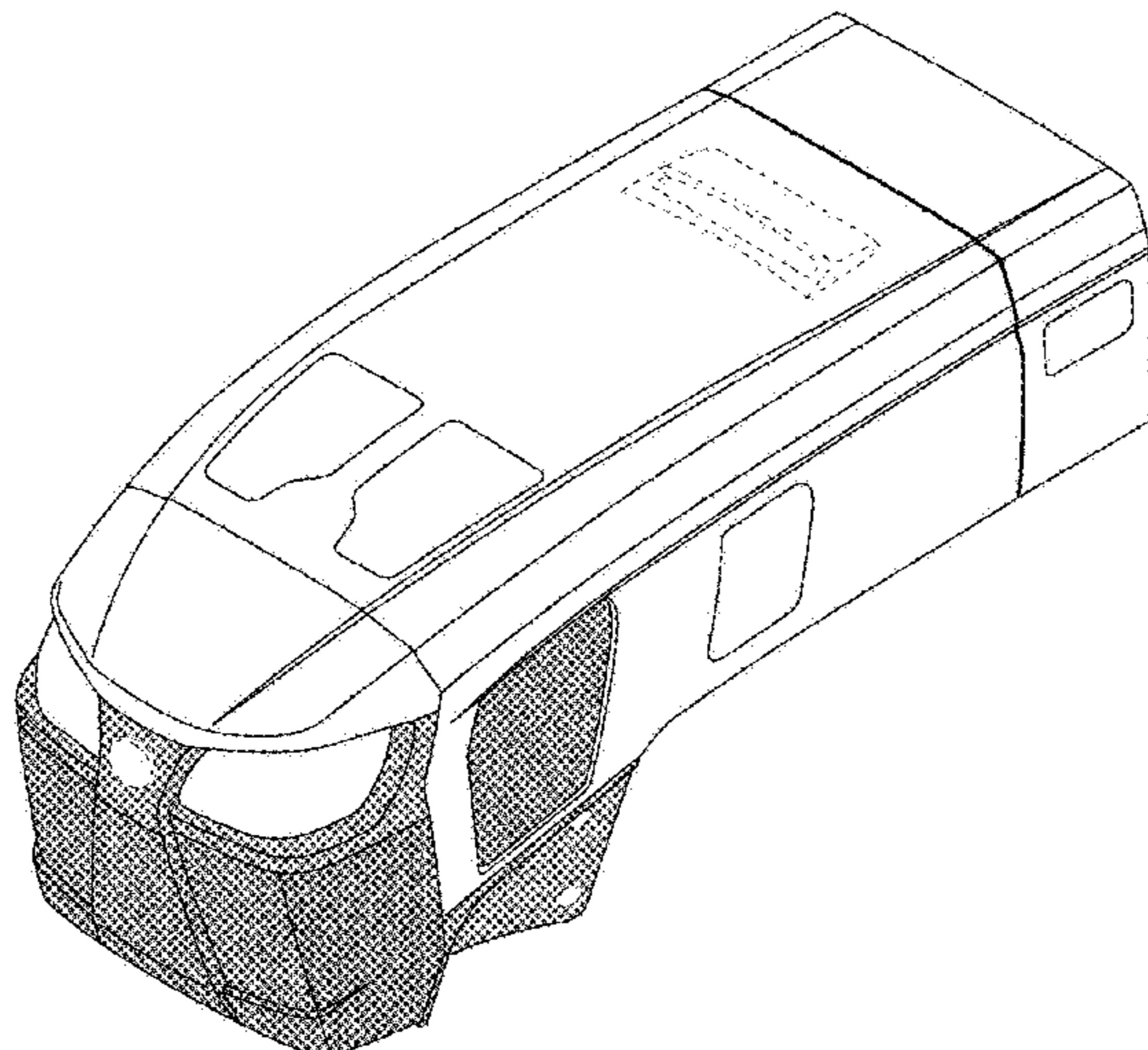
1.5 : Bottom

1.6 : Perspective

1.1 front view; 1.2 left side view; 1.3 right side view; 1.4 top
view; 1.5 bottom view; 1.6 perspective view. A back view is
omitted because the back view is symmetrical to the front
view.

The broken lines shown in the reproductions No. 1.1-1.6
depict environment and form no part of the claimed design.

1 Claim, 6 Drawing Sheets



(56)

References Cited

U.S. PATENT DOCUMENTS

D749,144	S	*	2/2016	Higashikawa	D15/23
D759,128	S	*	6/2016	Yang	D15/26
D759,129	S	*	6/2016	Kushita	D15/31
D786,941	S	*	5/2017	Kushita	D15/26
D816,125	S	*	4/2018	Galib	D15/23
D878,428	S	*	3/2020	Furuki	D15/26
D898,781	S	*	10/2020	Kaneko	B62D 49/00 D15/23
D910,086	S	*	2/2021	Keen	D15/33
D928,852	S	*	8/2021	Kaneko	A01B 51/026 D15/33
D932,522	S	*	10/2021	Kaneko	D15/31
D960,938	S	*	8/2022	Omachi	B62D 25/10 D15/31

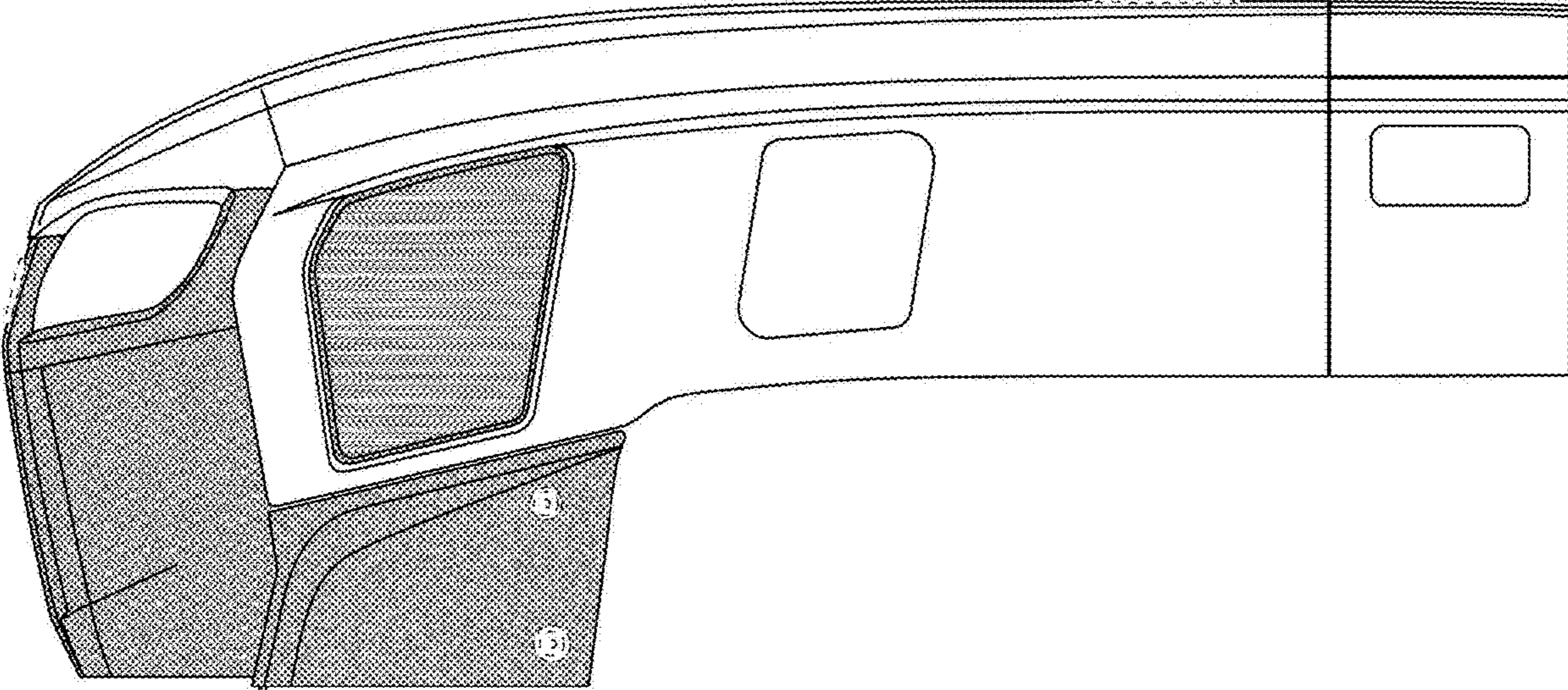
OTHER PUBLICATIONS

John Naughton, "Why American Farmers are hacking their own tractors.", (published Mar. 26, 2017), The Guardian, URL:< <https://www.theguardian.com/commentisfree/2017/mar/26/why-american-farmers-hacking-own-tractors>> (Year: 2017).*

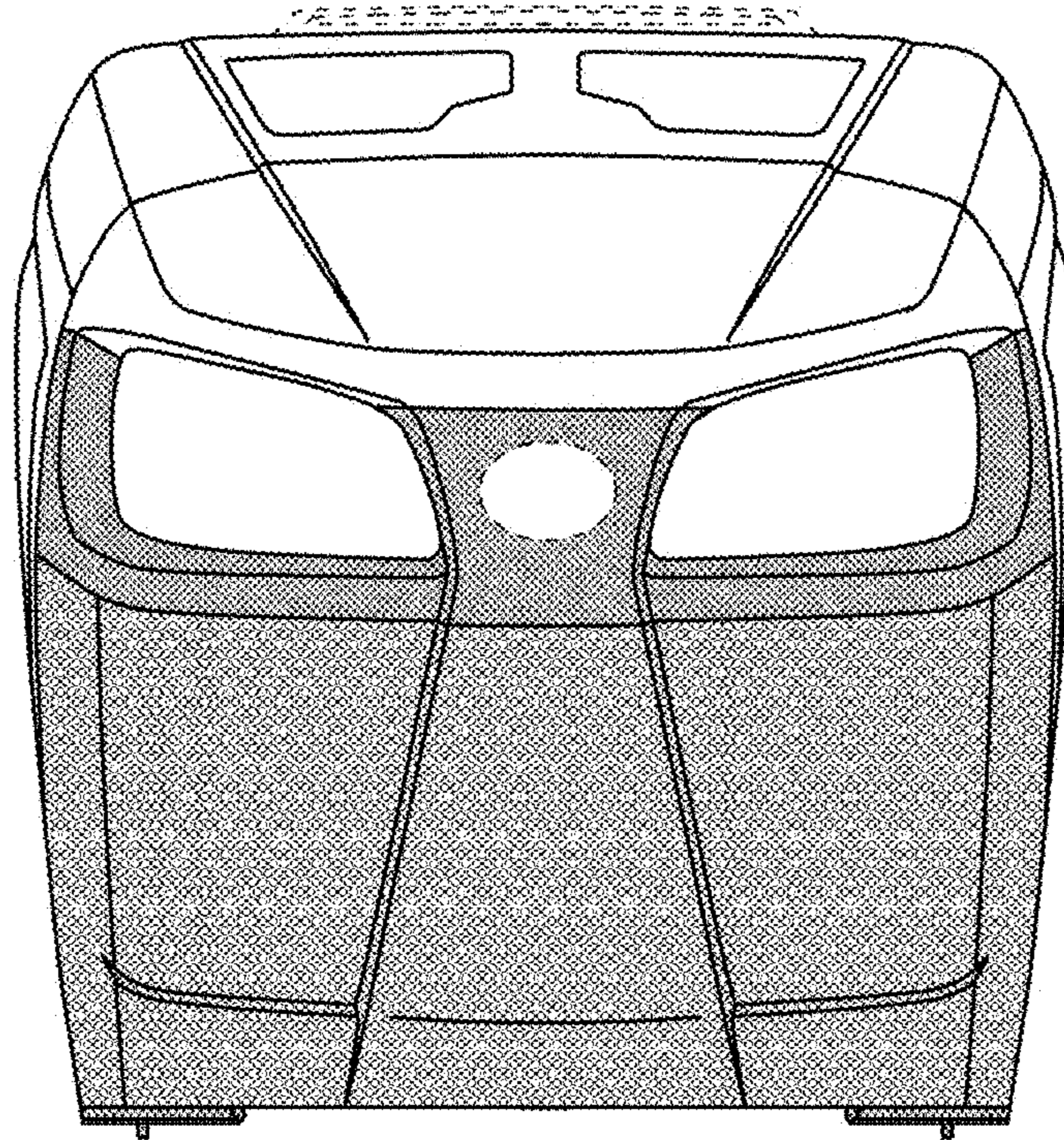
John Deere, Count On These Compact Tractors To Maintain 10 Acres Or More, (Feb. 4, 2022), Ag-Pro Companies News, URL:< <https://www.agprocompanies.com/news/ag-pro-news/john-deere-compact-tractors-for-those-with-10-acres-or-more/>> (Year: 2022).*

* cited by examiner

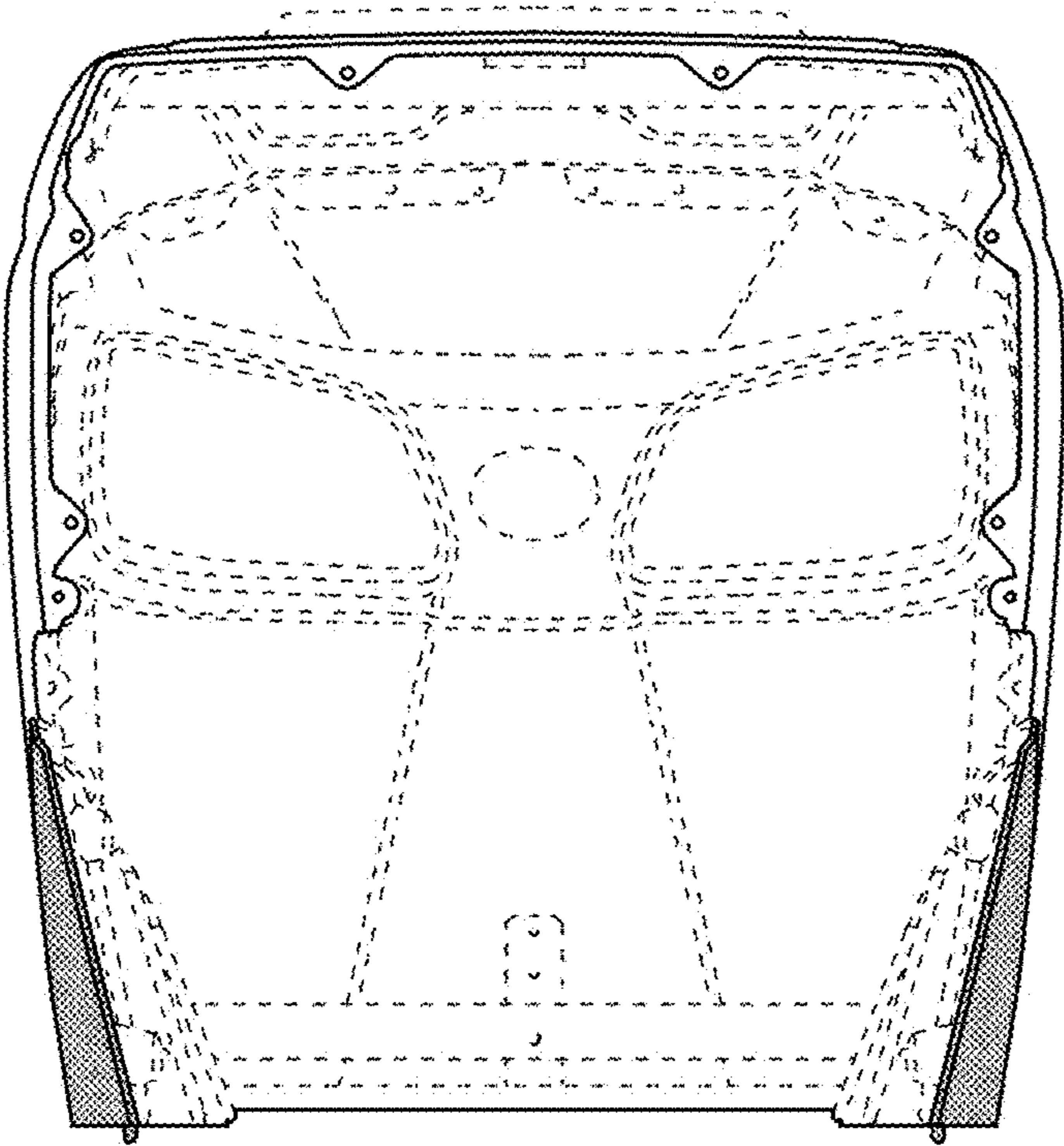
1.1



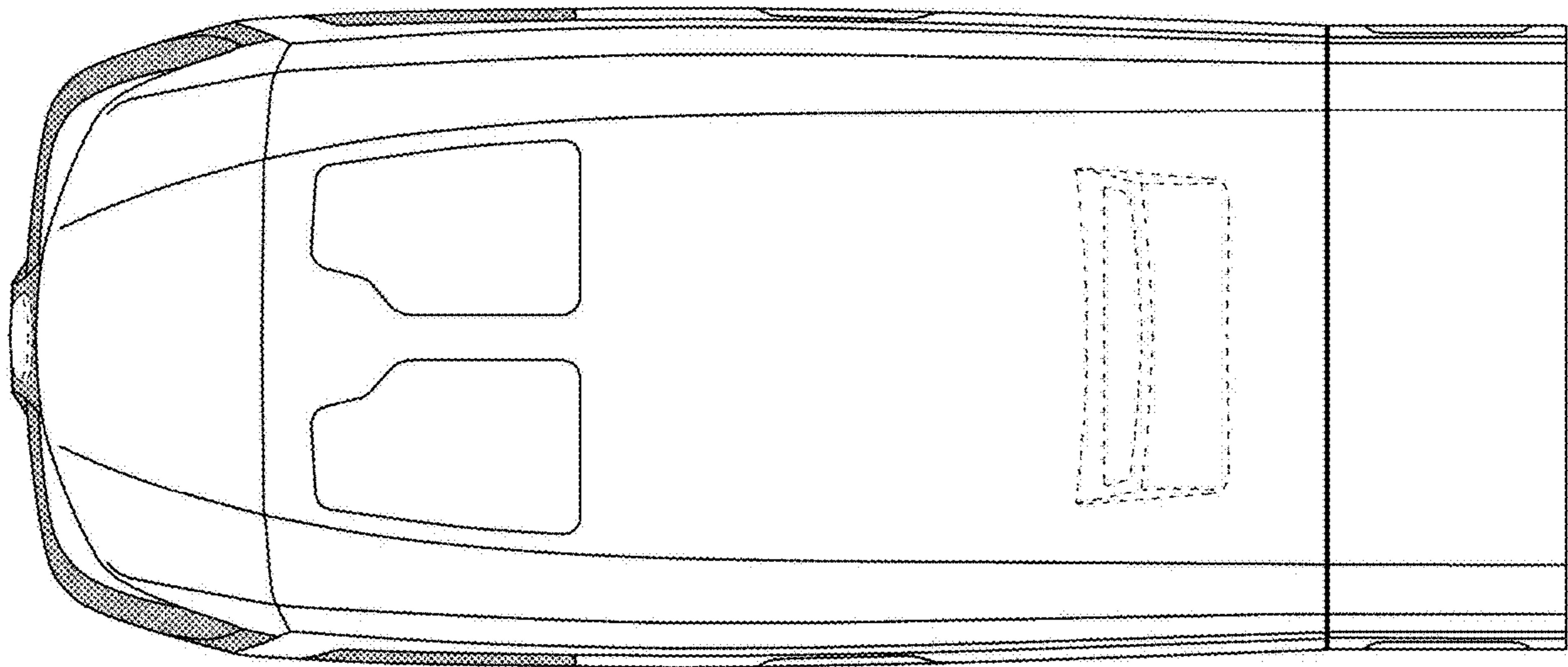
1.2



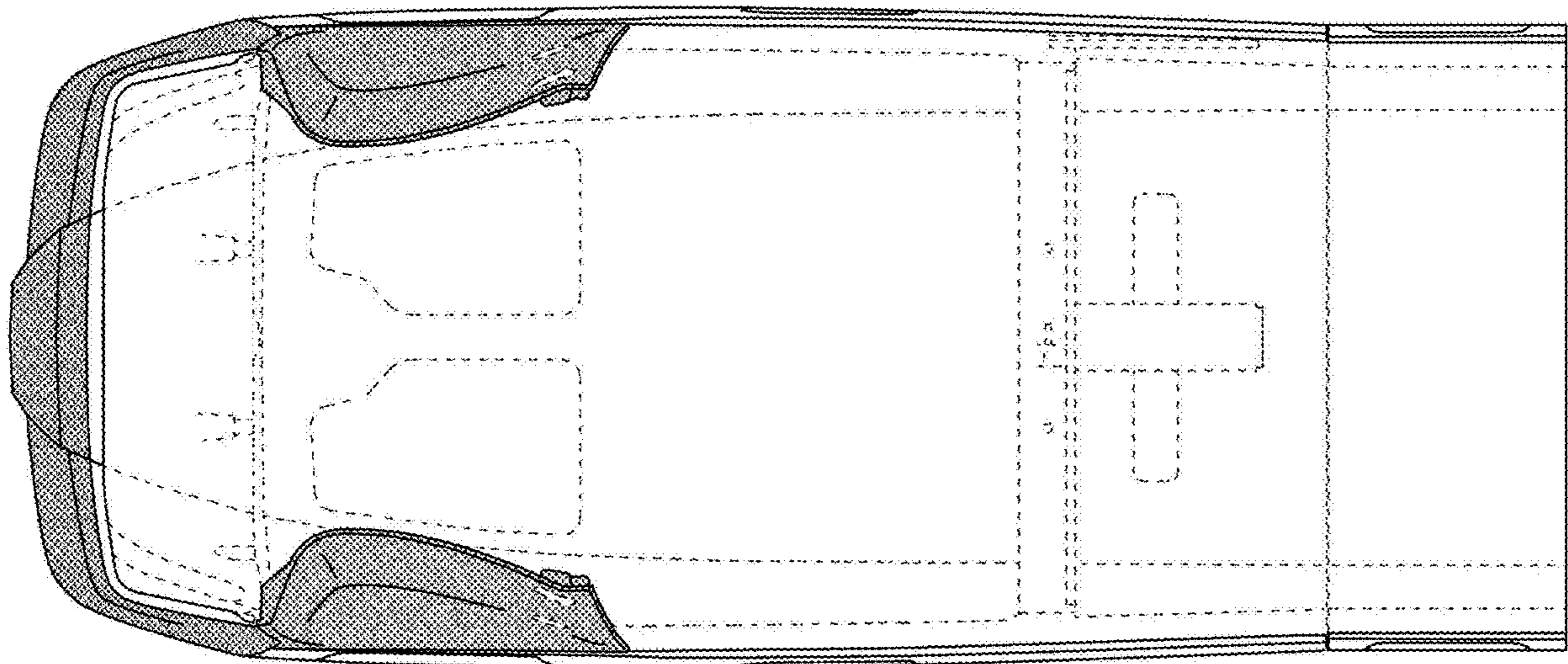
1.3



1.4



1.5



1.6

