



US00D980291S

(12) **United States Design Patent** (10) **Patent No.:** **US D980,291 S**  
**Sasaki et al.** (45) **Date of Patent:** **\*\* Mar. 7, 2023**

(54) **FRONT COVER PORTION OF OPERATION TOWER OF WORK VEHICLE**

(71) Applicant: **KUBOTA CORPORATION**, Osaka (JP)

(72) Inventors: **Wataru Sasaki**, Sakai (JP); **Yasuhiro Fujii**, Sakai (JP)

(73) Assignee: **Kubota Corporation**, Osaka (JP)

(\*\*) Term: **15 Years**

(21) Appl. No.: **35/512,316**

(22) Filed: **Apr. 26, 2021**

(80) **Hague Agreement Data**

Int. Filing Date: **Apr. 26, 2021**

Int. Reg. No.: **DM/215519**

Int. Reg. Date: **Apr. 26, 2021**

Int. Reg. Pub. Date: **Aug. 6, 2021**

(30) **Foreign Application Priority Data**

Oct. 28, 2020 (JP) ..... 2020-023250

Oct. 28, 2020 (JP) ..... 2020-023251

(51) **LOC (14) Cl.** ..... **15-03**

(52) **U.S. Cl.**

USPC ..... **D15/31**

CPC ..... **B66C 13/54** (2013.01)

(58) **Field of Classification Search**

USPC .... D15/22-26, 28, 30, 31; 180/89.11-89.19, 180/900

CPC .. B66C 13/54; E02F 9/16; E02F 9/163; E02F 9/06; B62D 33/0617; B62D 49/00-085; B62D 33/06-073; B60J 7/00; B60J 1/004; B60J 1/02; B60J 1/04; B60J 5/0487

See application file for complete search history.

(56) **References Cited**

**U.S. PATENT DOCUMENTS**

D327,276 S \* 6/1992 Sorensen ..... D12/163

D352,723 S \* 11/1994 DeBraal ..... D12/163

D382,279 S \* 8/1997 Goebert ..... D15/31  
D412,712 S \* 8/1999 Miller ..... D15/31  
D419,164 S \* 1/2000 Heiler ..... D12/163  
D498,774 S \* 11/2004 Radtke ..... D15/144  
D499,750 S \* 12/2004 Mistry ..... D15/31  
D500,772 S \* 1/2005 Montgomery ..... D15/31  
D507,582 S \* 7/2005 Higashikawa ..... D15/31  
D629,818 S \* 12/2010 Rummer ..... D15/31  
D642,597 S \* 8/2011 Krogh ..... D15/31  
D643,050 S \* 8/2011 Rajderkar ..... D15/31  
D646,305 S \* 10/2011 Krogh ..... D15/31  
D675,234 S \* 1/2013 Kushita ..... D15/31  
D690,328 S \* 9/2013 Cha ..... D15/31  
D772,309 S \* 11/2016 Underhill ..... D15/31  
D785,053 S \* 4/2017 Okuyama ..... D15/31  
D792,483 S \* 7/2017 Jackson ..... D15/31  
D809,025 S \* 1/2018 Okuyama ..... D15/31  
D854,056 S \* 7/2019 Futagami ..... D15/31  
D898,082 S \* 10/2020 Niclot ..... D15/30

(Continued)

*Primary Examiner* — Richard E Chilcot

(74) *Attorney, Agent, or Firm* — The Webb Law Firm

(57) **CLAIM**

The ornamental design for a front cover portion of operation tower of work vehicle, as shown and described.

**DESCRIPTION**

1. Front cover portion of operation tower of work vehicle

**1.1** : Front

**1.2** : Back

**1.3** : Left

**1.4** : Right

**1.5** : Top

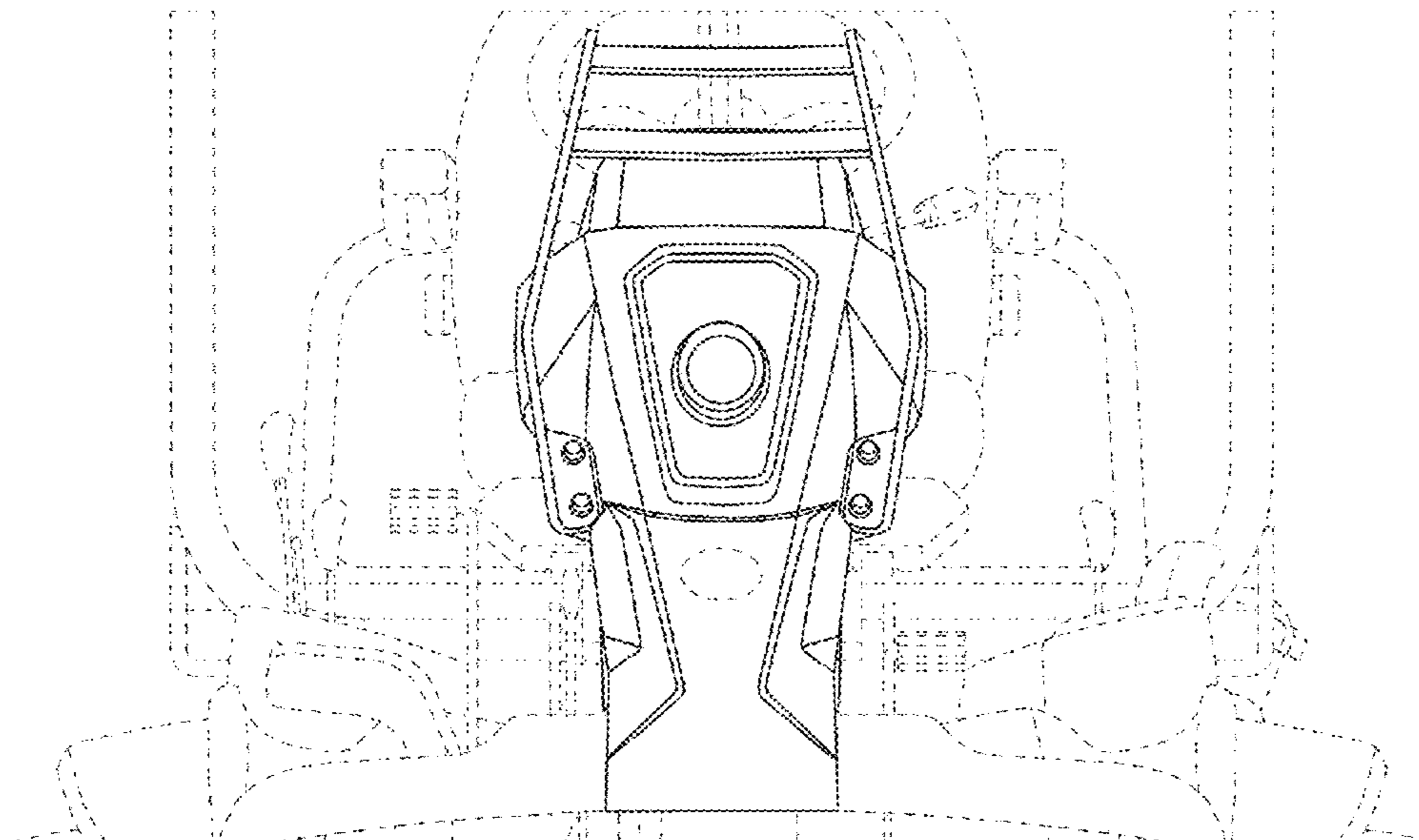
**1.6** : Perspective

**1.7** : Enlarged

**1.8** : Enlarged

A bottom view is omitted because the article is heavy; the broken lines shown in the reproductions **1.1-1.8** form no part of the claimed design.

**1 Claim, 8 Drawing Sheets**



(56)

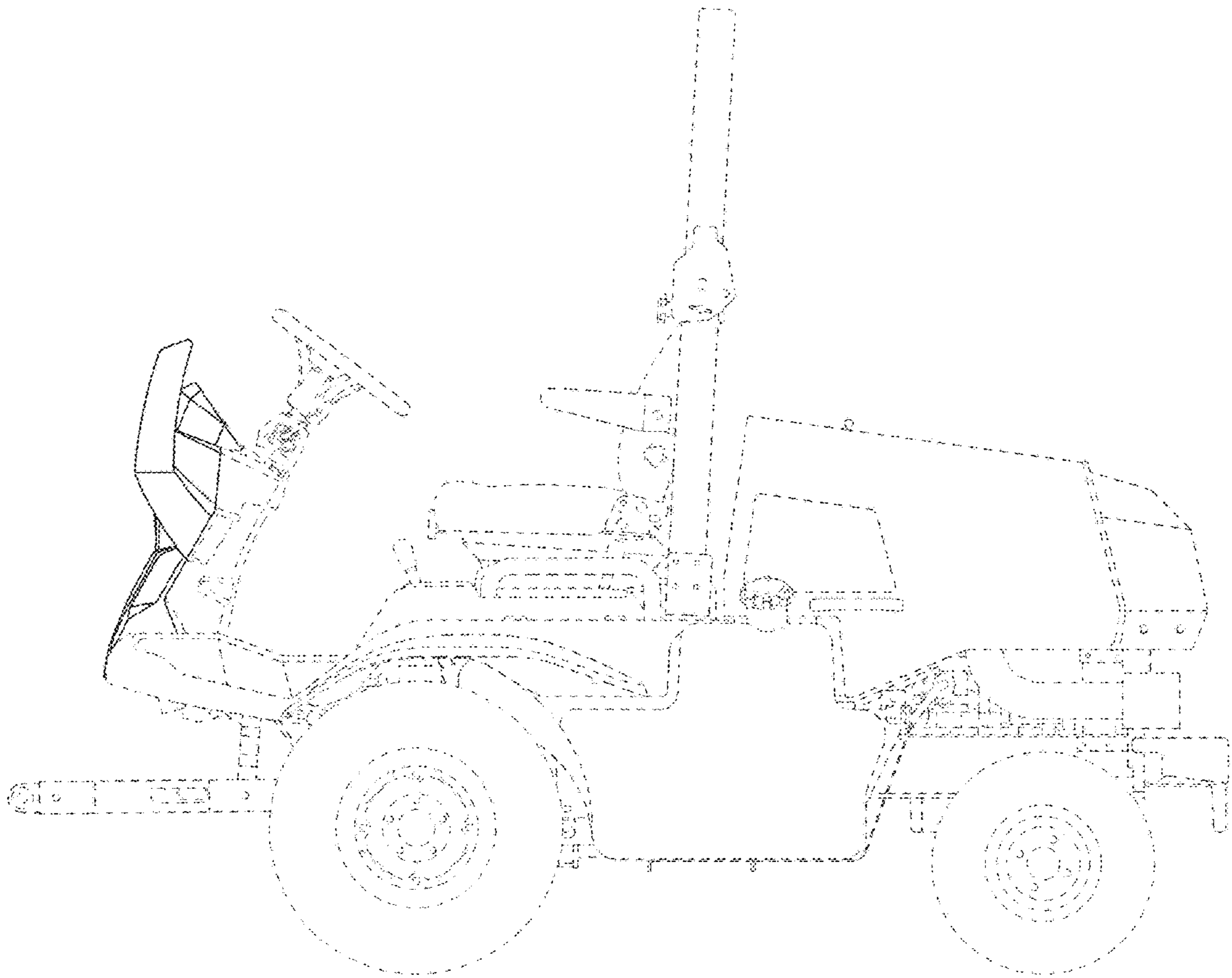
**References Cited**

U.S. PATENT DOCUMENTS

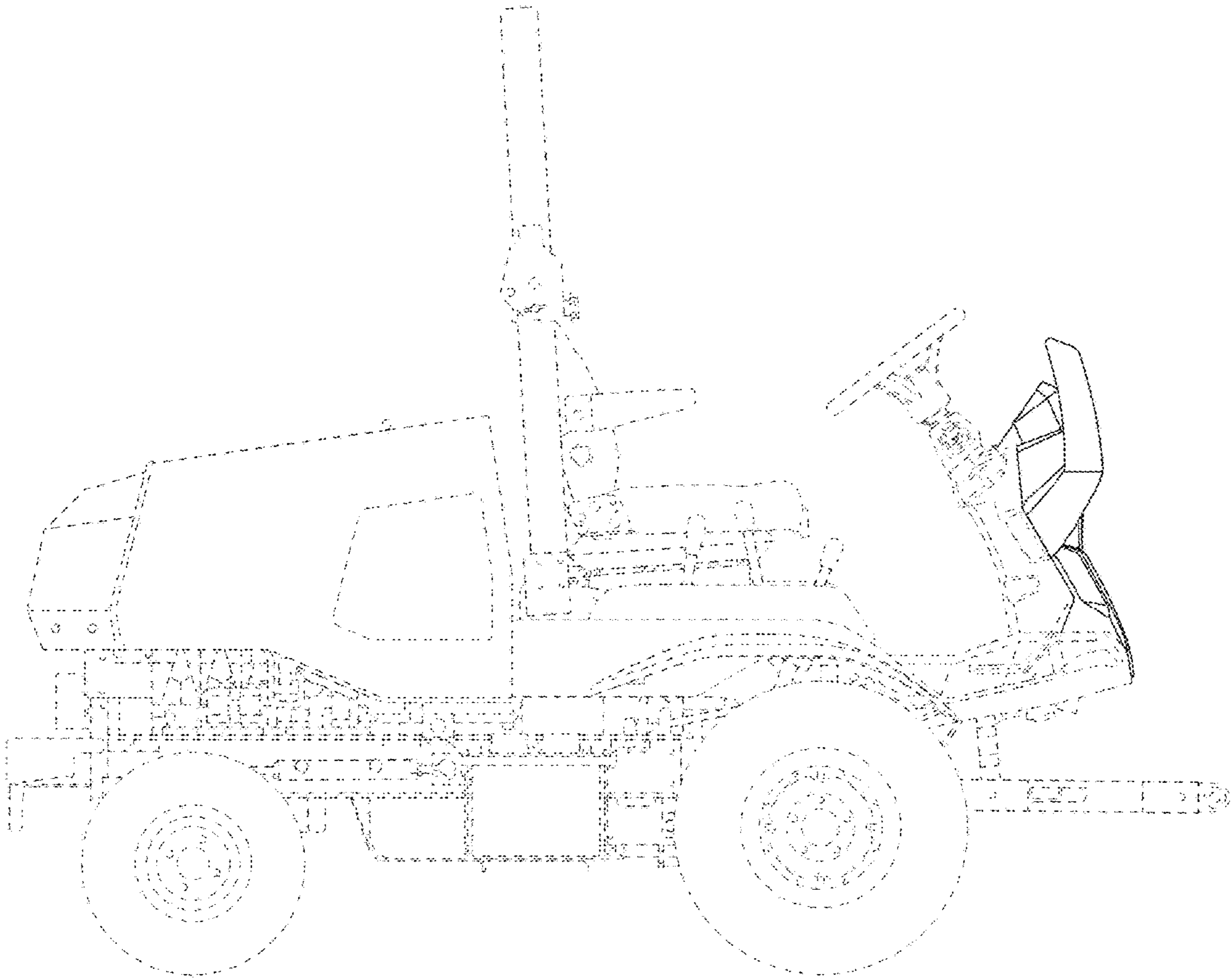
D910,086	S *	2/2021	Keen	.....	D15/33
D914,770	S *	3/2021	Grobe	.....	D15/31
D928,203	S *	8/2021	Huenink	.....	D15/31
2015/0090510	A1 *	4/2015	Yoshino	.....	B60K 11/04 180/68.6
2016/0167715	A1 *	6/2016	Kosuge	.....	B62D 25/12 296/181.1
2017/0129543	A1 *	5/2017	Matsumoto	.....	B60R 19/44
2017/0327156	A1 *	11/2017	Tsu	.....	B60Q 1/0408
2022/0294306	A1 *	9/2022	Matsumoto	.....	H02K 5/207

\* cited by examiner

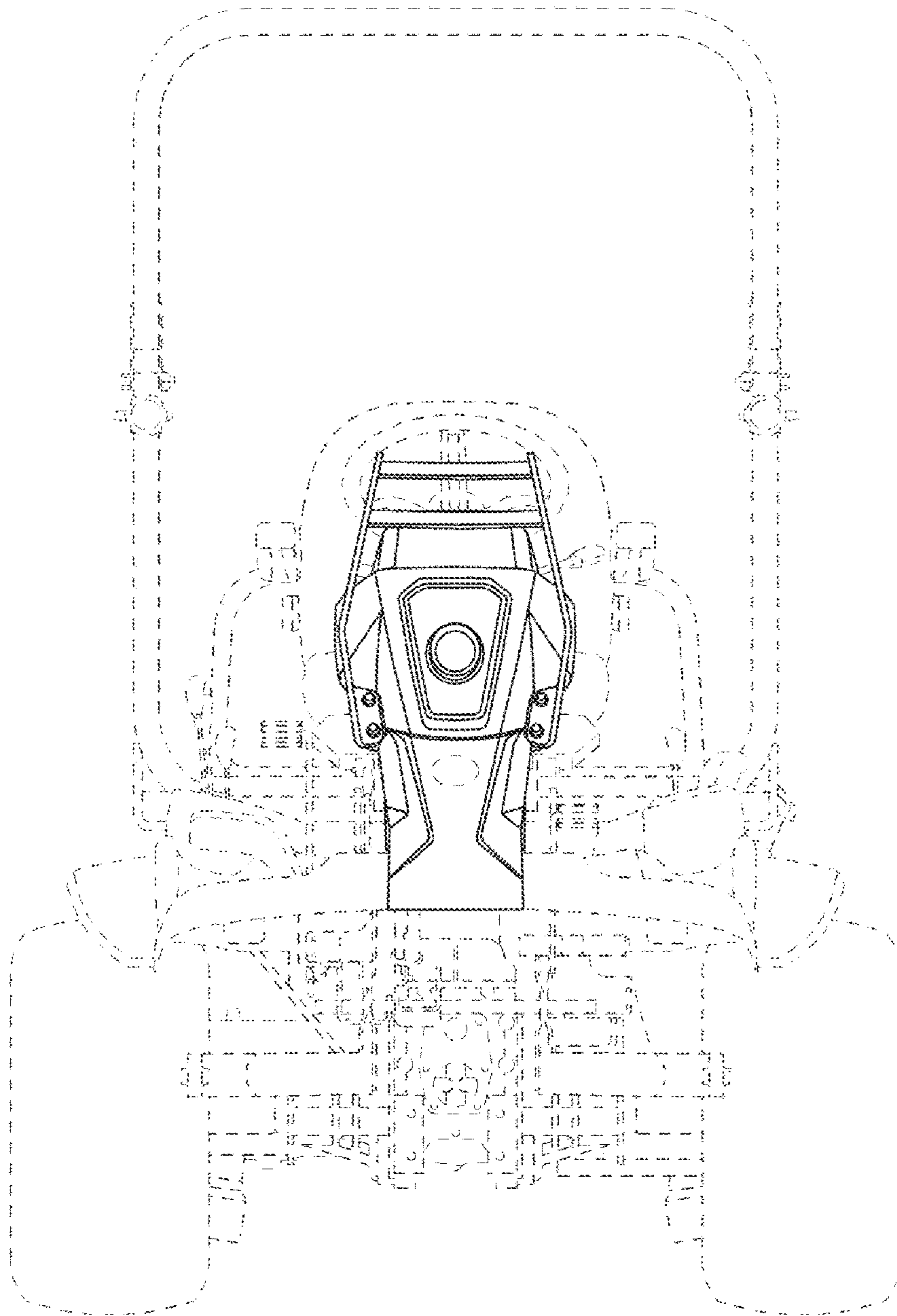
1.1



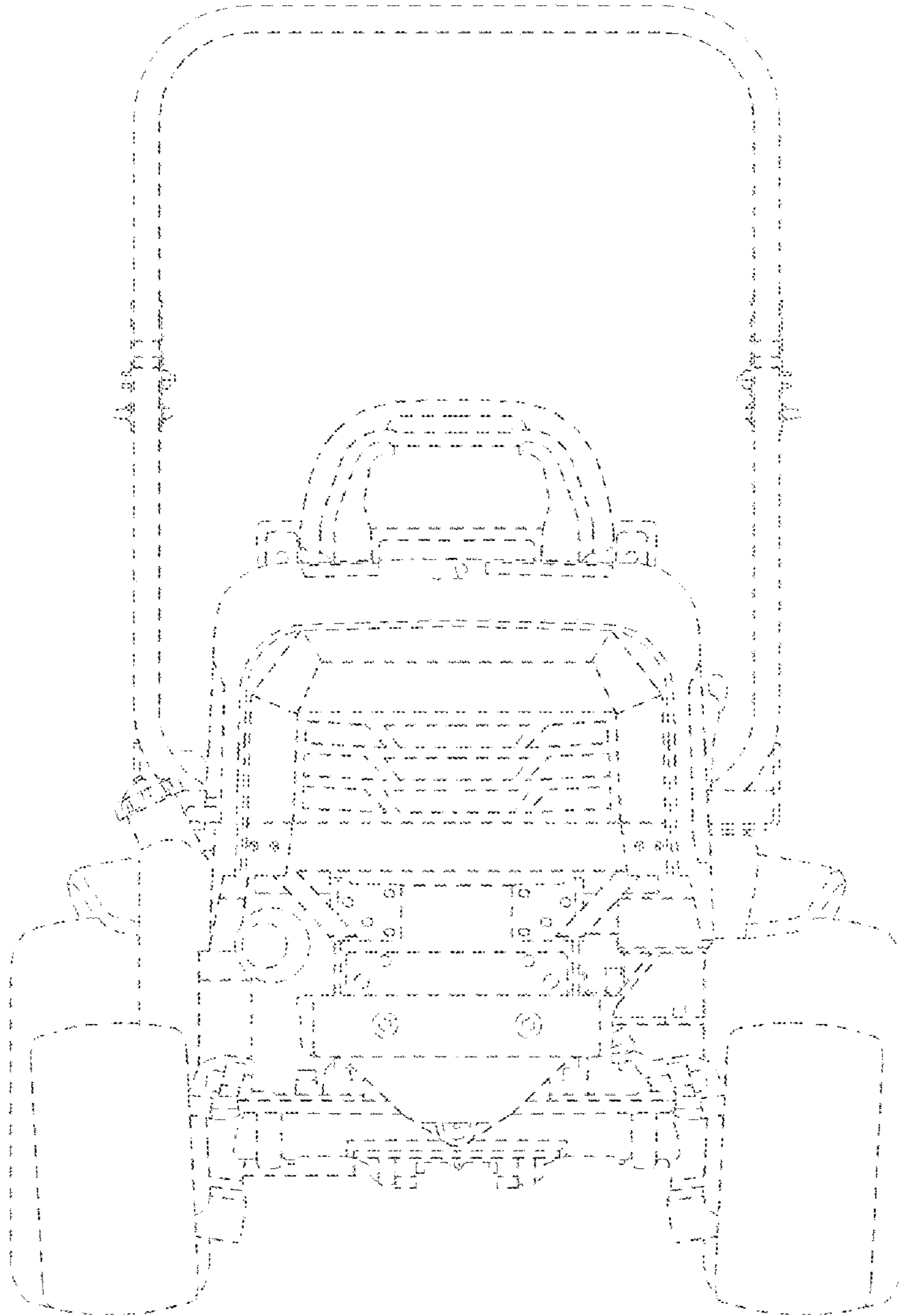
1.2



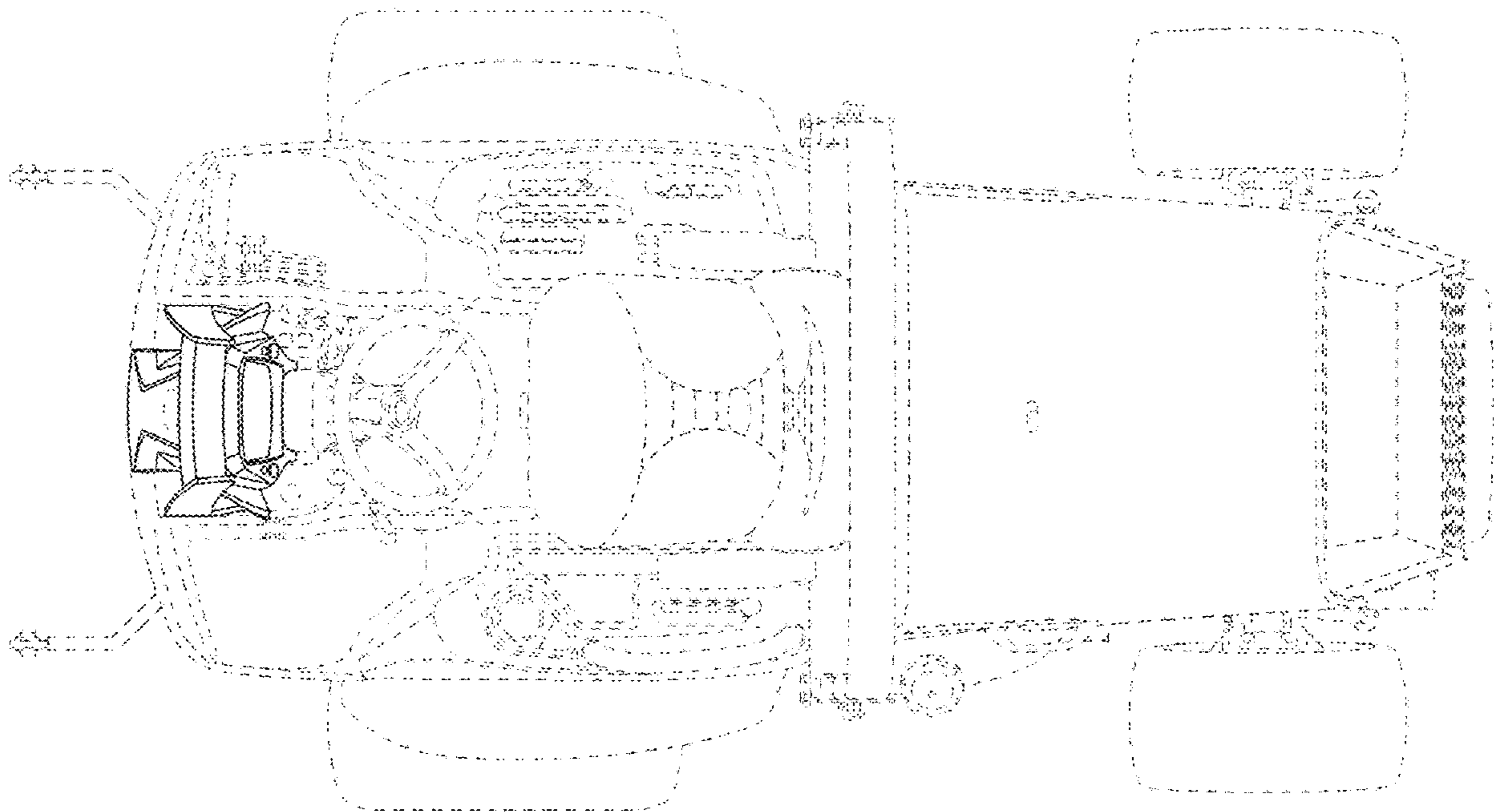
1.3



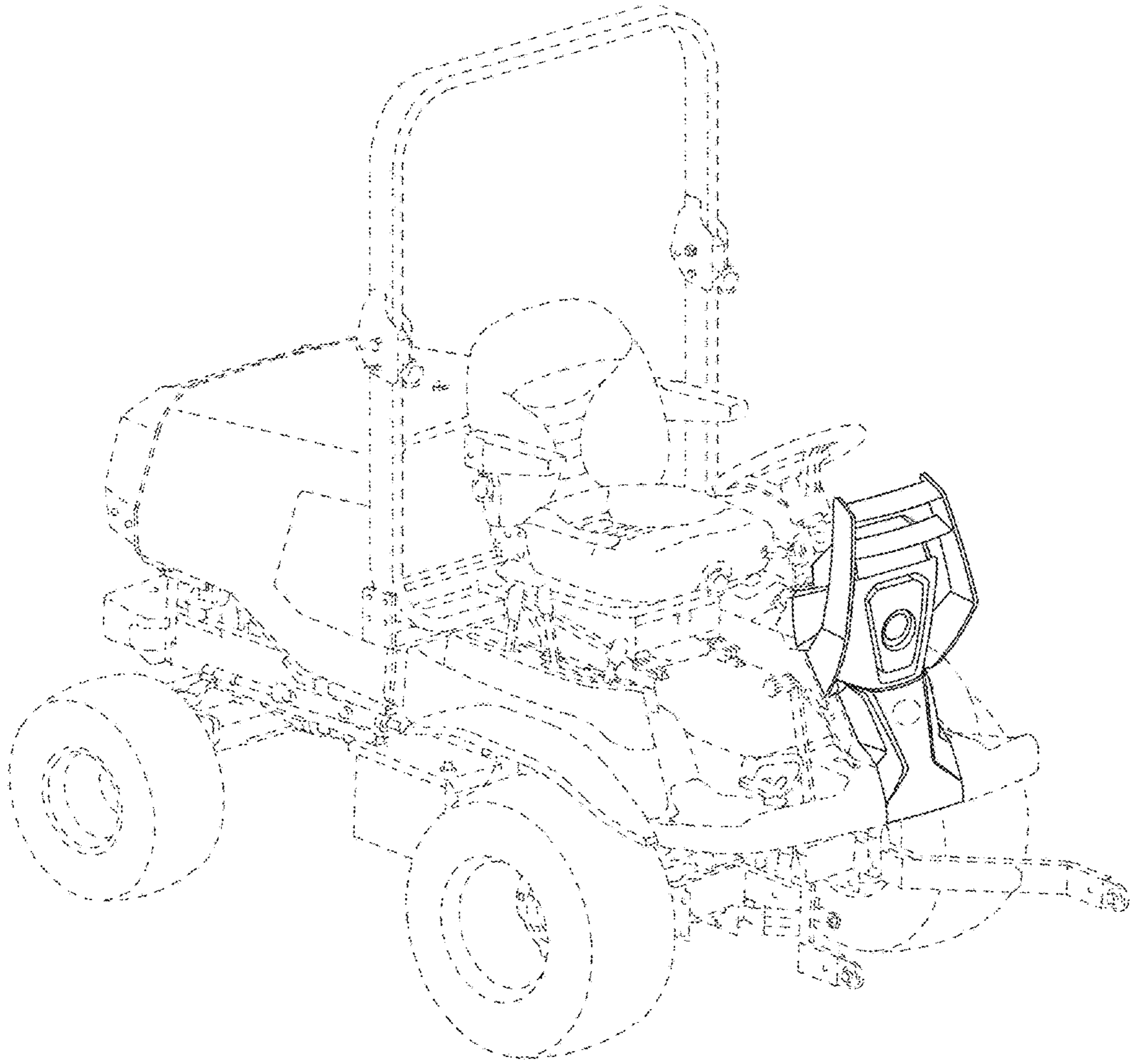
1.4



1.5

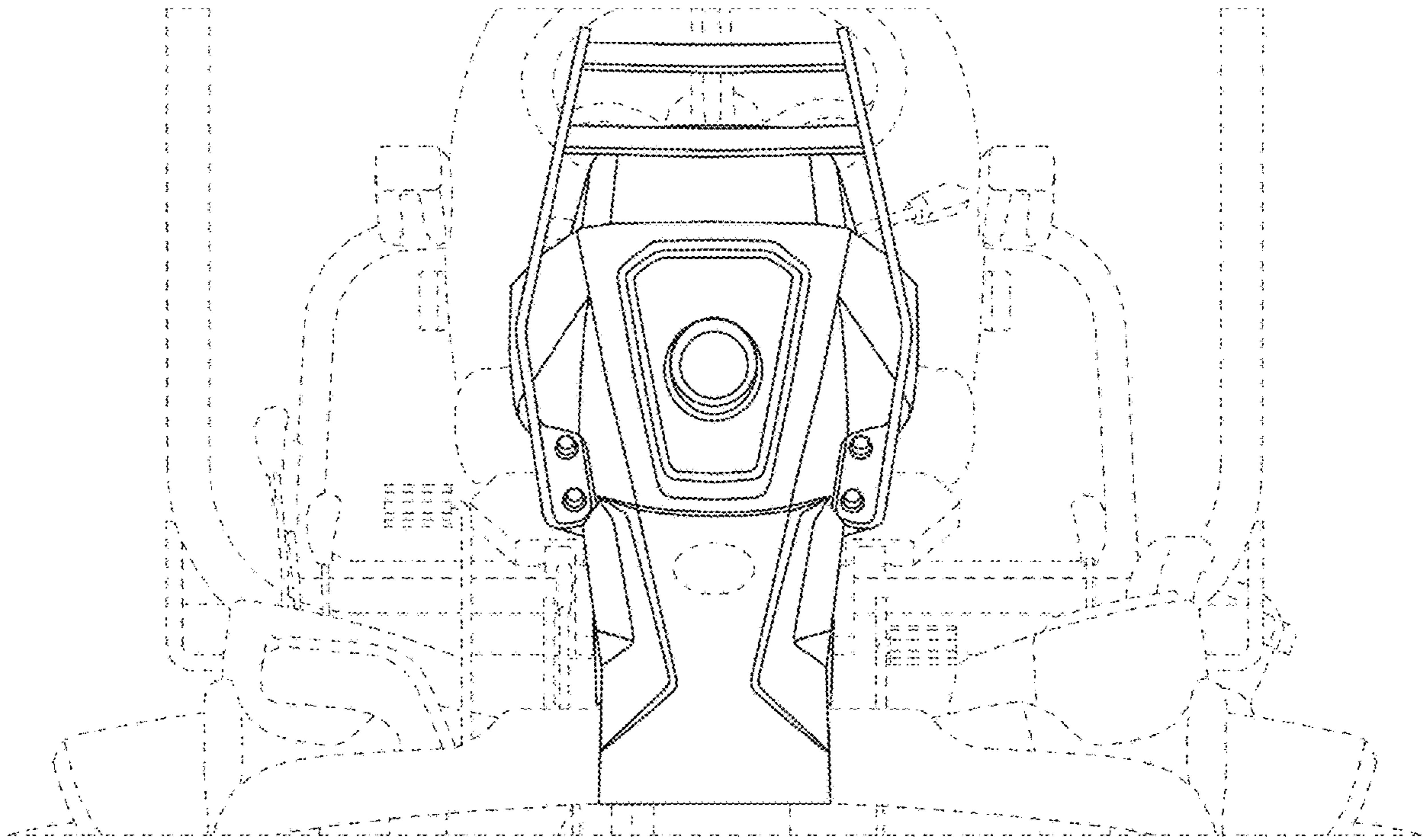


1.6





1.7



1.8

