



US00D980290S

(12) **United States Design Patent**
Kimura

(10) **Patent No.:** **US D980,290 S**
(45) **Date of Patent:** **** Mar. 7, 2023**

(54) **TRACTOR**

(71) Applicant: **KUBOTA CORPORATION**, Osaka (JP)

(72) Inventor: **Chihiro Kimura**, Sakai (JP)

(73) Assignee: **Kubota Corporation**, Osaka (JP)

(**) Term: **15 Years**

(21) Appl. No.: **35/513,421**

(22) Filed: **Dec. 22, 2021**

(80) **Hague Agreement Data**

Int. Filing Date: **Dec. 22, 2021**

Int. Reg. No.: **DM/218332**

Int. Reg. Date: **Dec. 22, 2021**

Int. Reg. Pub. Date: **Jan. 21, 2022**

(51) **LOC (14) Cl.** **12-09**

(52) **U.S. Cl.**
USPC **D15/23**

(58) **Field of Classification Search**
USPC D15/10, 11, 13-17, 28, 22-26, 30, 31,
D15/33; D12/173
CPC B62D 49/00-085; B62D 25/10; B62D
25/00; B60R 19/52; B60R 21/38
See application file for complete search history.

(56) **References Cited**

U.S. PATENT DOCUMENTS

D438,546 S * 3/2001 Katoh D15/23
D501,487 S * 2/2005 Katoh D15/23
D526,335 S * 8/2006 Kuwae D15/23

D547,333 S * 7/2007 Nishi D15/15
D553,159 S * 10/2007 Higashikawa D15/15
D558,797 S * 1/2008 Yamamoto D15/26
D599,826 S * 9/2009 Kuwae D15/26
D600,255 S * 9/2009 Kushita D15/26
D613,313 S * 4/2010 Bhanuprakash D15/23
D678,353 S * 3/2013 Kakudate D15/23
D706,837 S * 6/2014 Takagi D15/23
D720,369 S * 12/2014 Furukawa D15/26
D749,144 S * 2/2016 Higashikawa D15/23
D759,128 S * 6/2016 Yang D15/26
D786,941 S 5/2017 Kushita
D816,125 S * 4/2018 Galib D15/23
D878,428 S * 3/2020 Furuki D15/26
D888,783 S * 6/2020 Esau D15/26
D910,086 S * 2/2021 Keen D15/33

* cited by examiner

Primary Examiner — Mark A Goodwin

(74) *Attorney, Agent, or Firm* — The Webb Law Firm

(57) **CLAIM**

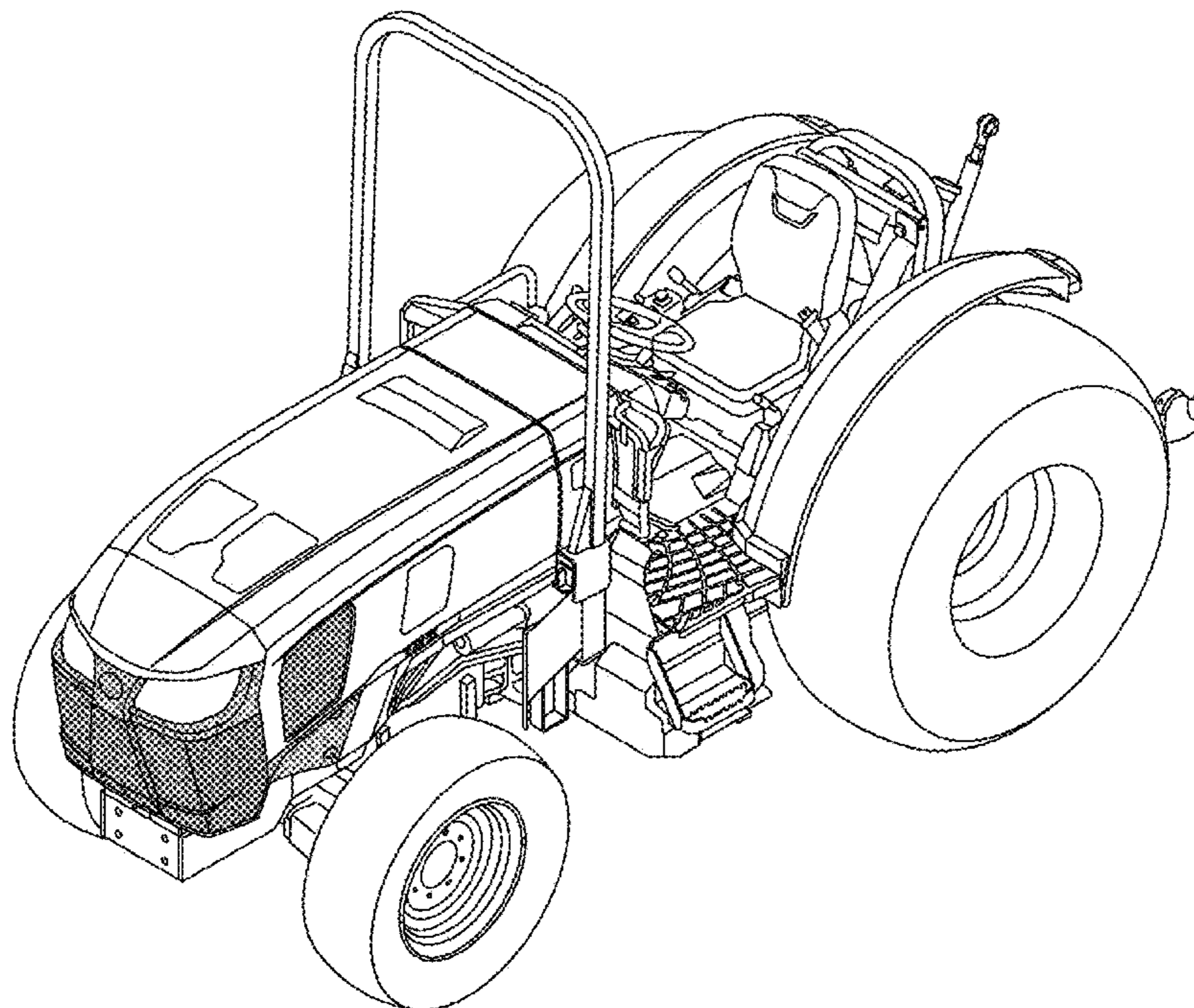
The ornamental design for a tractor, as shown and described.

DESCRIPTION

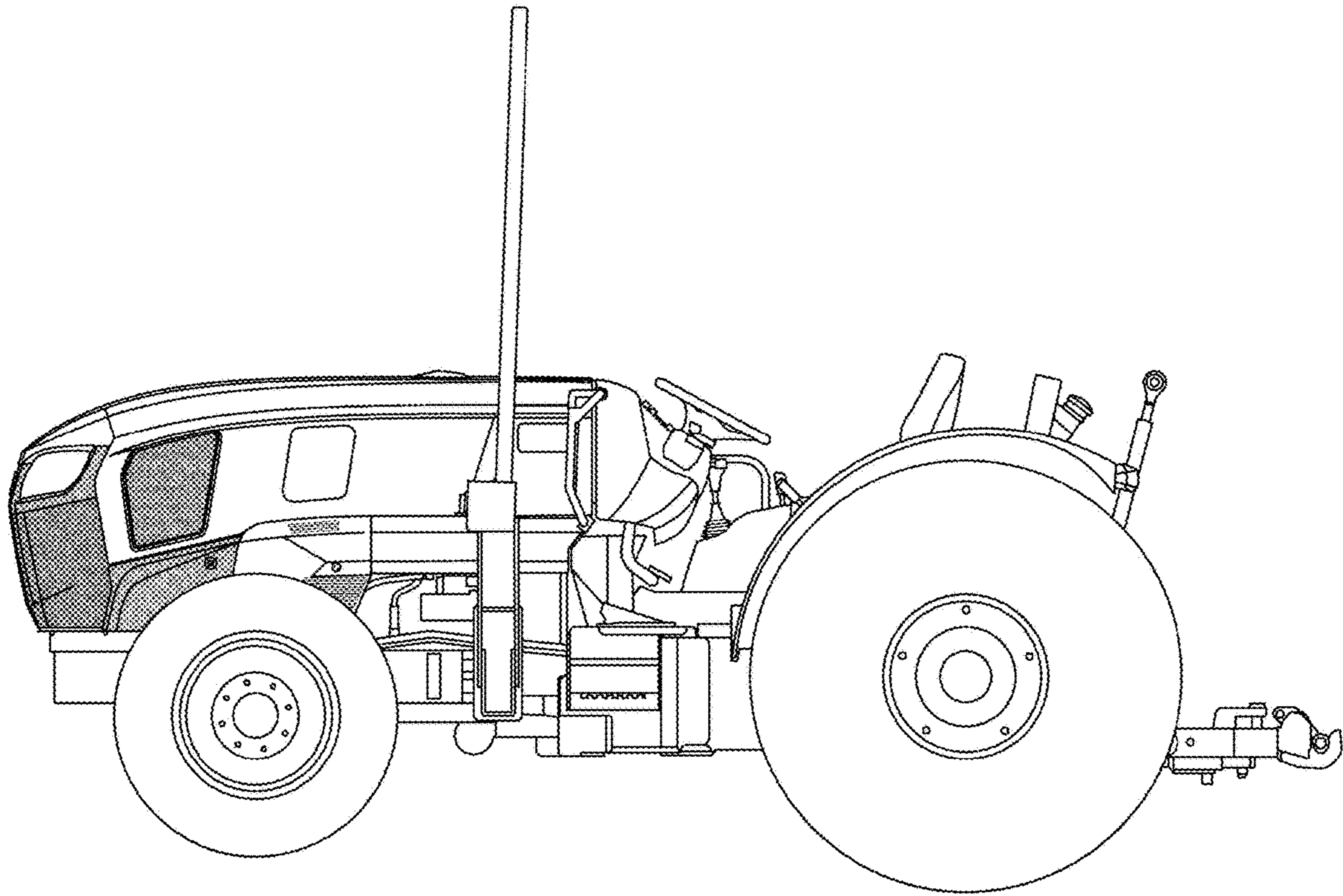
- 1. Tractor
- 1.1 : Front
- 1.2 : Back
- 1.3 : Left
- 1.4 : Right
- 1.5 : Top
- 1.6 : Perspective

A bottom view is omitted because the article is heavy; 1.1 front view; 1.2 back view; 1.3 left side view; 1.4 right side view; 1.5 top view; 1.6 perspective view.

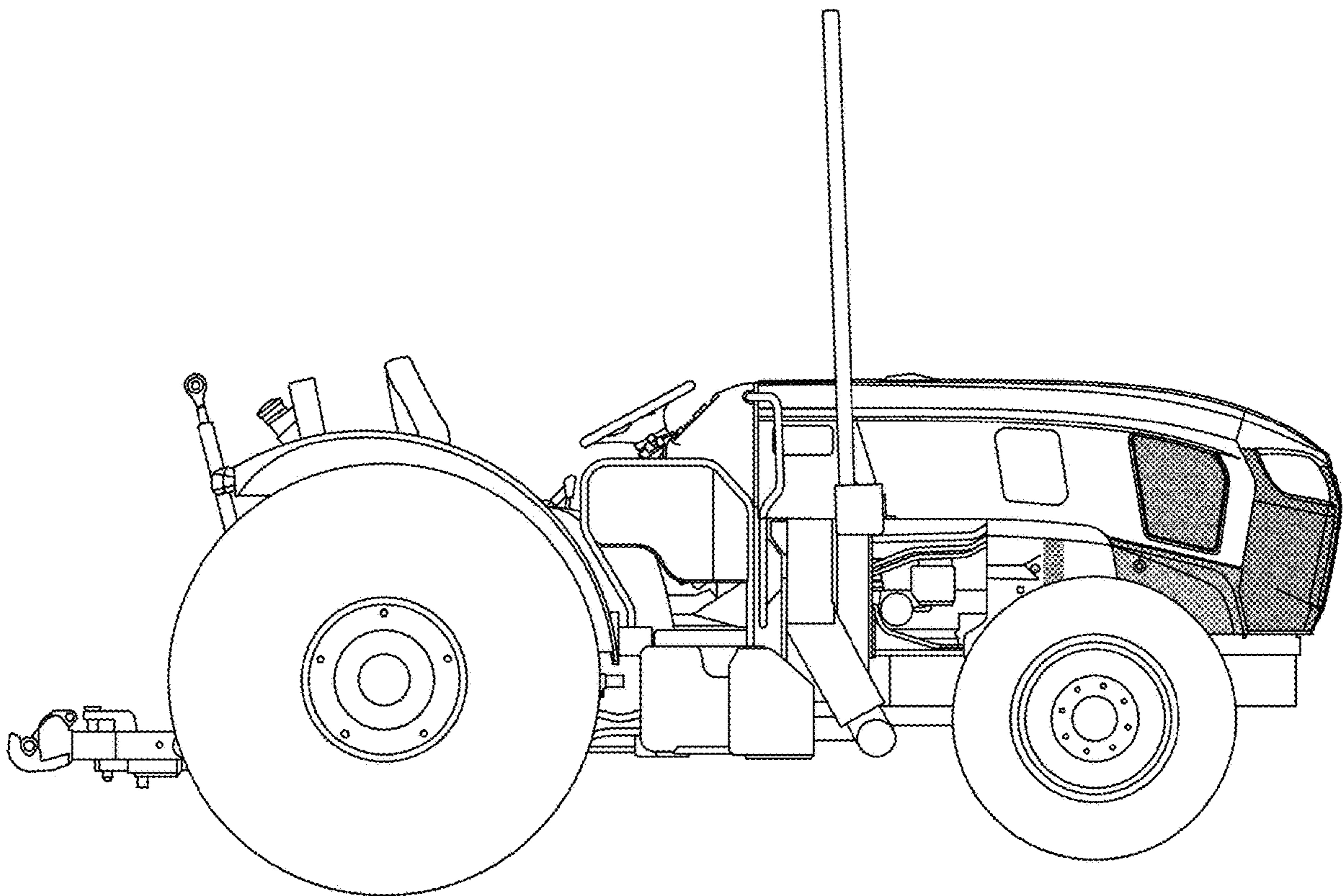
1 Claim, 6 Drawing Sheets



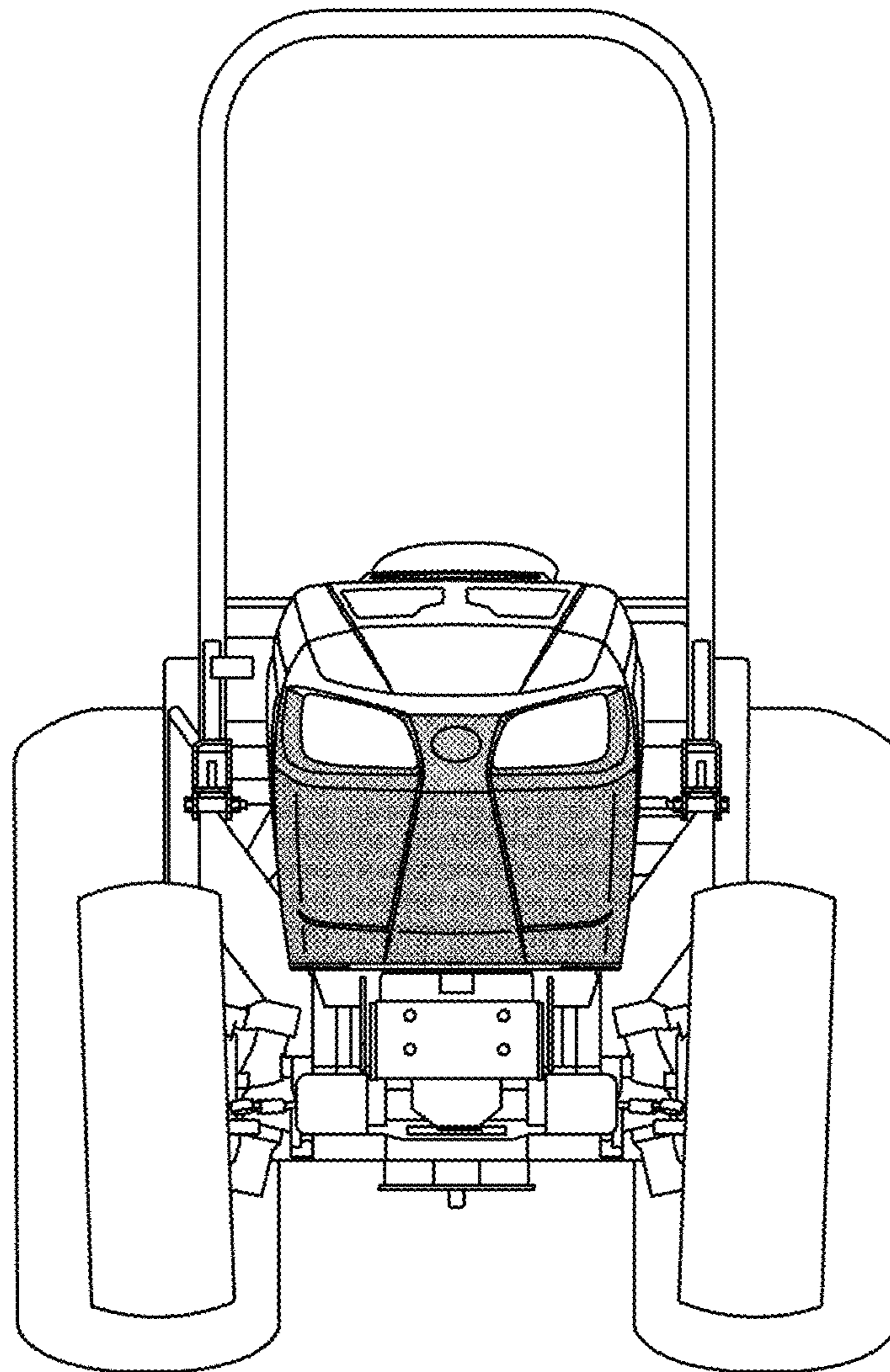
1.1



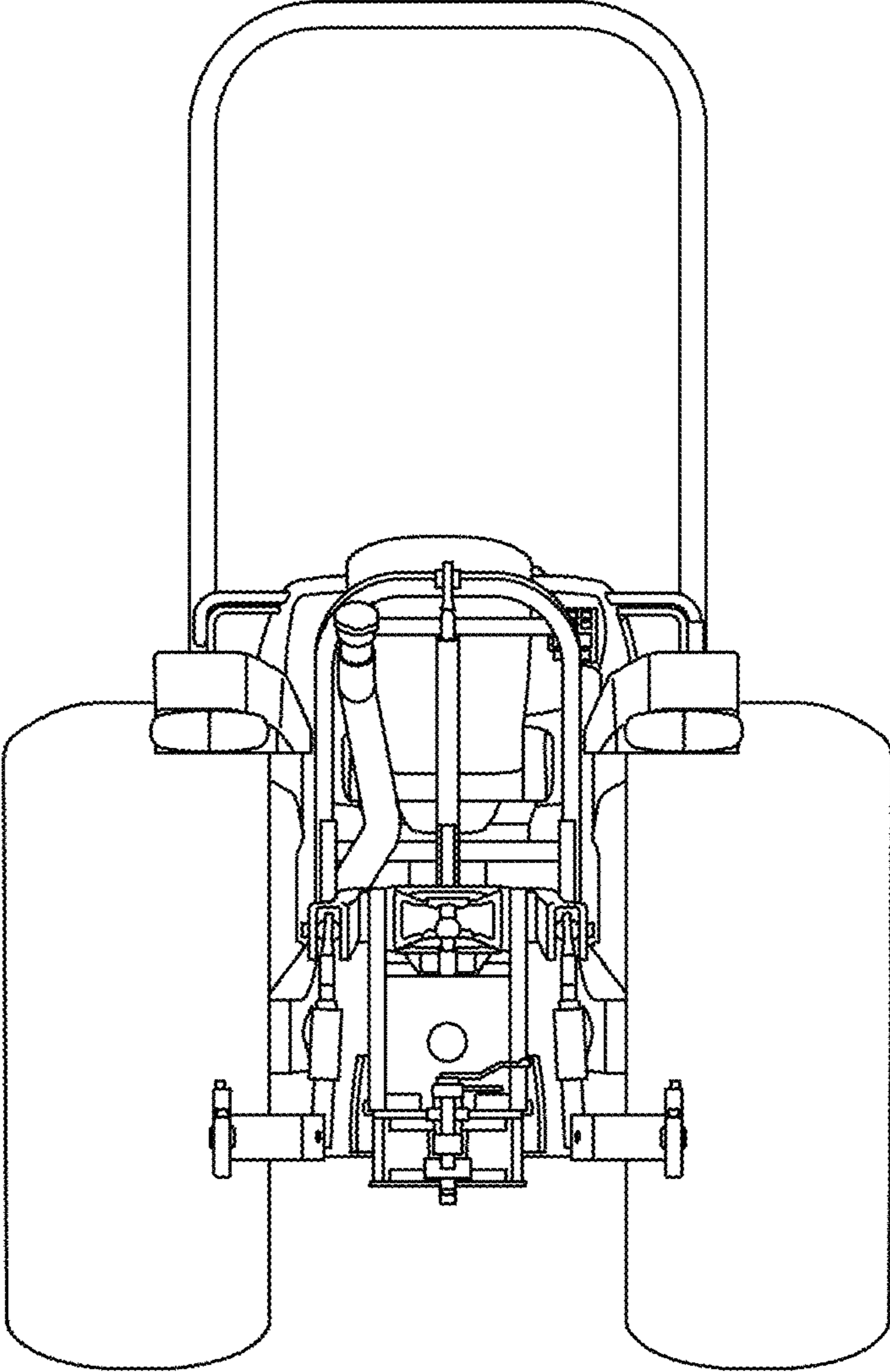
1.2



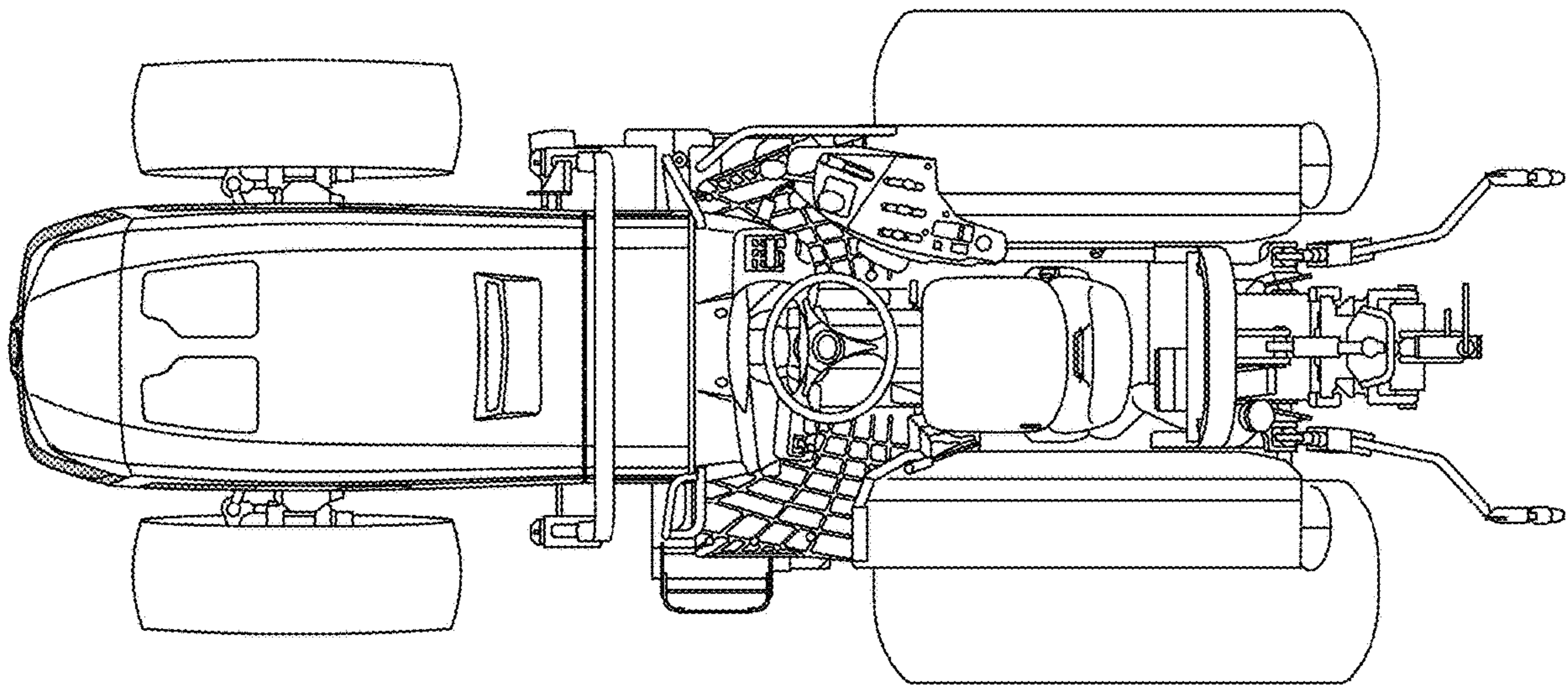
1.3



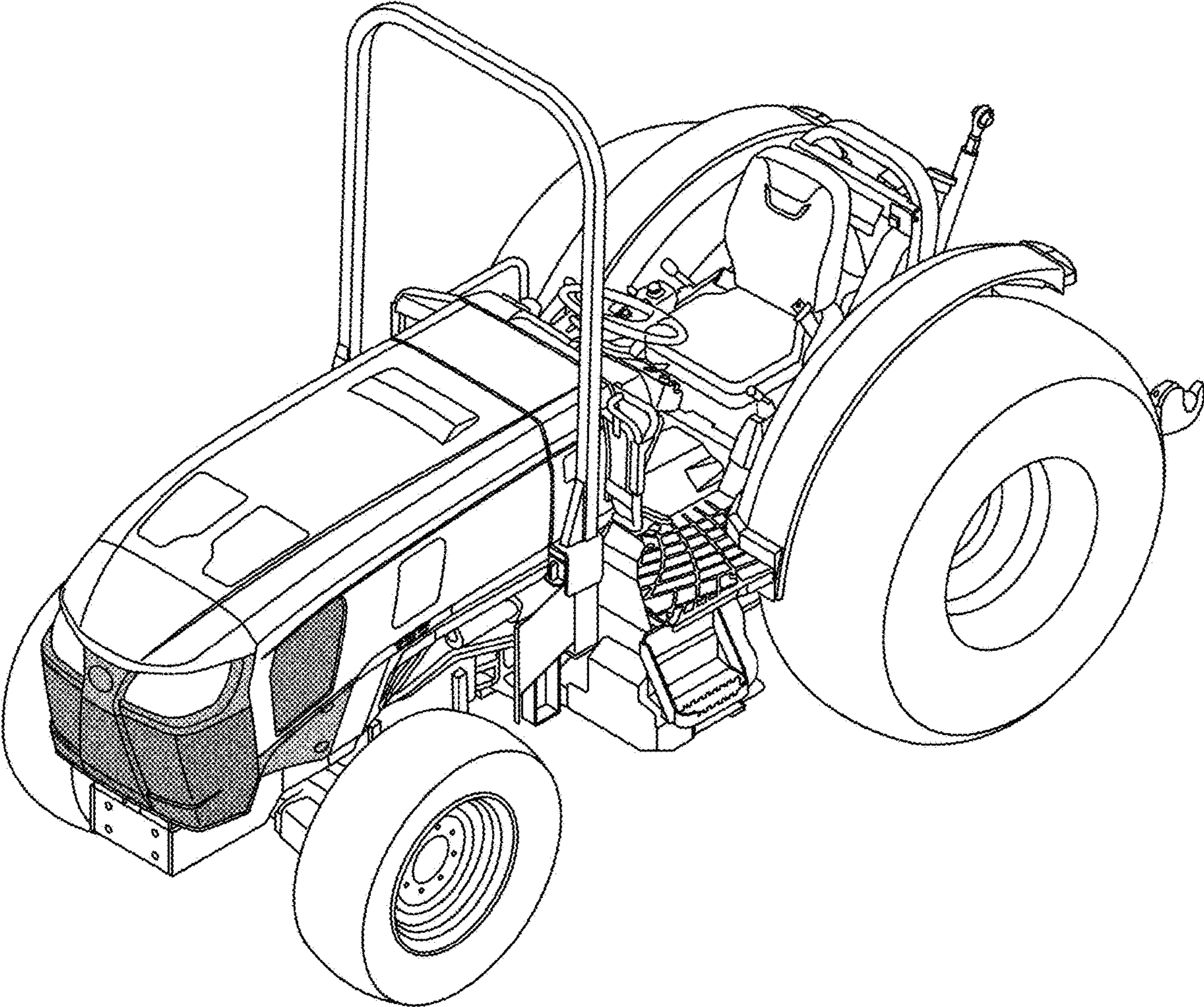
1.4



1.5



1.6



UNITED STATES PATENT AND TRADEMARK OFFICE
CERTIFICATE OF CORRECTION

PATENT NO. : D980,290 S
APPLICATION NO. : 35/513421
DATED : March 7, 2023
INVENTOR(S) : Chihiro Kimura

Page 1 of 1

It is certified that error appears in the above-identified patent and that said Letters Patent is hereby corrected as shown below:

On the Title Page

Column 1, item (72) Inventor, Line 1, delete "Sakai (JP)" and insert -- Osaka (JP) --

Column 1, Foreign Application Priority Data, Line 1, below "Int. Reg. Pub. Date: Jan. 21, 2022" insert -- (30) Foreign Application Priority Data Jul. 29, 2021 (JP)..... JP2021-016433 --, as a new field entry

Signed and Sealed this
Eleventh Day of June, 2024
Katherine Kelly Vidal

Katherine Kelly Vidal
Director of the United States Patent and Trademark Office