



US00D980287S

(12) **United States Design Patent**
Liu et al.

(10) **Patent No.:** **US D980,287 S**
(45) **Date of Patent:** **** Mar. 7, 2023**

(54) **AIR PUMP**

(71) Applicant: **Shanghai HOTO Technology Co., Ltd.**, Shanghai (CN)

(72) Inventors: **Lidan Liu**, Shanghai (CN); **Xiaodong Liu**, Shanghai (CN); **Fei Lei**, Shanghai (CN)

(73) Assignee: **SHANGHAI HOTO TECHNOLOGY CO., LTD.**, Shanghai (CN)

(**) Term: **15 Years**

(21) Appl. No.: **29/804,068**

(22) Filed: **Aug. 18, 2021**

(30) **Foreign Application Priority Data**

Apr. 6, 2021 (CN) 202130188851.4

(51) **LOC (14) Cl.** **15-02**

(52) **U.S. Cl.**
USPC **D15/7**

(58) **Field of Classification Search**
USPC D15/7, 9, 90; D14/196; D9/523;
D24/207

CPC F04B 53/14; F04B 33/00; F04B 33/005;
F04B 1/005; F04B 39/102

See application file for complete search history.

(56) **References Cited**

U.S. PATENT DOCUMENTS

D247,435 S *	3/1978	Willinger	D15/8
D253,652 S *	12/1979	Maryanski	D15/8
D316,865 S *	5/1991	Armstrong	D15/7
D374,237 S *	10/1996	Wang	D15/7
D384,081 S *	9/1997	Wang	D15/7
D455,155 S *	4/2002	Wang	D15/8
D670,313 S *	11/2012	Ohm	D15/7
D672,368 S *	12/2012	Wong	D15/9
D678,351 S *	3/2013	Wong	D15/9

D679,291 S *	4/2013	Ohm	D15/7
D722,618 S *	2/2015	Wong	D15/9
D723,588 S *	3/2015	Wang	D15/9
D727,972 S *	4/2015	Jhou	D15/9
D734,367 S *	7/2015	Jhou	D15/9
D754,209 S *	4/2016	Chou	D15/7
D814,525 S *	4/2018	Yang	D15/9
D832,889 S *	11/2018	Zheng	D15/7
D838,749 S *	1/2019	Gan	D15/7
D855,658 S *	8/2019	Zhang	D15/7

(Continued)

OTHER PUBLICATIONS

HOTO Tire Inflator, available in Amazon.com, date first available Mar. 16, 2022 [online], [site visited:Nov. 8, 2022], Available from the internet URL:https://www.amazon.com/HOTO-Compressor-Inflatable-Emergency-Motorbike/dp/B09QBZC3DR/ref=asc_df_B09QBZC3DR/?tag=hyprod-20&linkCode=df0&hvadid=5635530495698hv(Year: 2022).*

Primary Examiner — Calvin E Vansant

Assistant Examiner — Eidiol Ghigliotty Torres

(74) *Attorney, Agent, or Firm* — Andrew C. Cheng

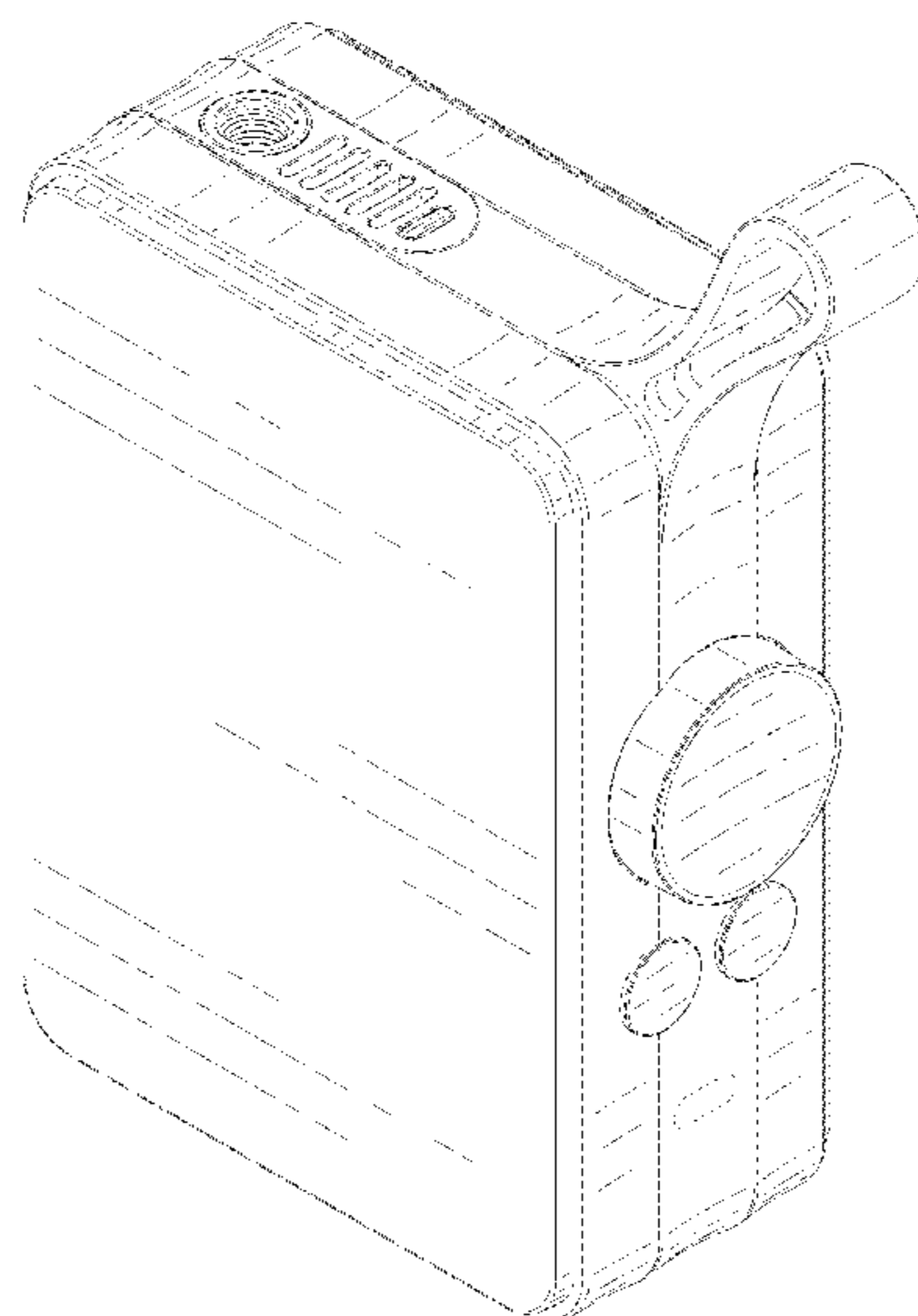
(57) **CLAIM**

We claim the ornamental design for an air pump, as shown and described.

DESCRIPTION

FIG. 1 is a perspective view of an air pump;
FIG. 2 is a perspective view of the air pump of FIG. 1, viewed from another aspect;
FIG. 3 is a front view of the air pump of FIG. 1;
FIG. 4 is a rear view of the air pump of FIG. 1;
FIG. 5 is a left side view of the air pump of FIG. 1;
FIG. 6 is a right side view of the air pump of FIG. 1;
FIG. 7 is a top view of the air pump of FIG. 1; and,
FIG. 8 is a bottom view of the air pump of FIG. 1.
The broken lines depict portions of the air pump in which the design is embodied that form no part of the claimed design.

1 Claim, 8 Drawing Sheets



(56)

References Cited

U.S. PATENT DOCUMENTS

D864,254	S	*	10/2019	Zhang	D15/9
D866,605	S	*	11/2019	Chou	D15/9
D866,606	S	*	11/2019	Chou	D15/9
D881,238	S	*	4/2020	Hong	D15/9
D881,945	S	*	4/2020	Richey	D15/7
D881,946	S	*	4/2020	Richey	D15/7
D890,693	S	*	7/2020	Gao	D13/103
D902,960	S	*	11/2020	Marini	F02M 37/04 D15/7
D907,066	S	*	1/2021	Esses	D15/7
D952,001	S	*	5/2022	Schildger	D15/7
D956,826	S	*	7/2022	Costle	D15/7
D957,467	S	*	7/2022	Richey	D15/7
D959,498	S	*	8/2022	Schildger	D15/7
D963,701	S	*	9/2022	Liao	D15/7
2021/0146033	A1	*	5/2021	Smith	H01M 50/207

* cited by examiner

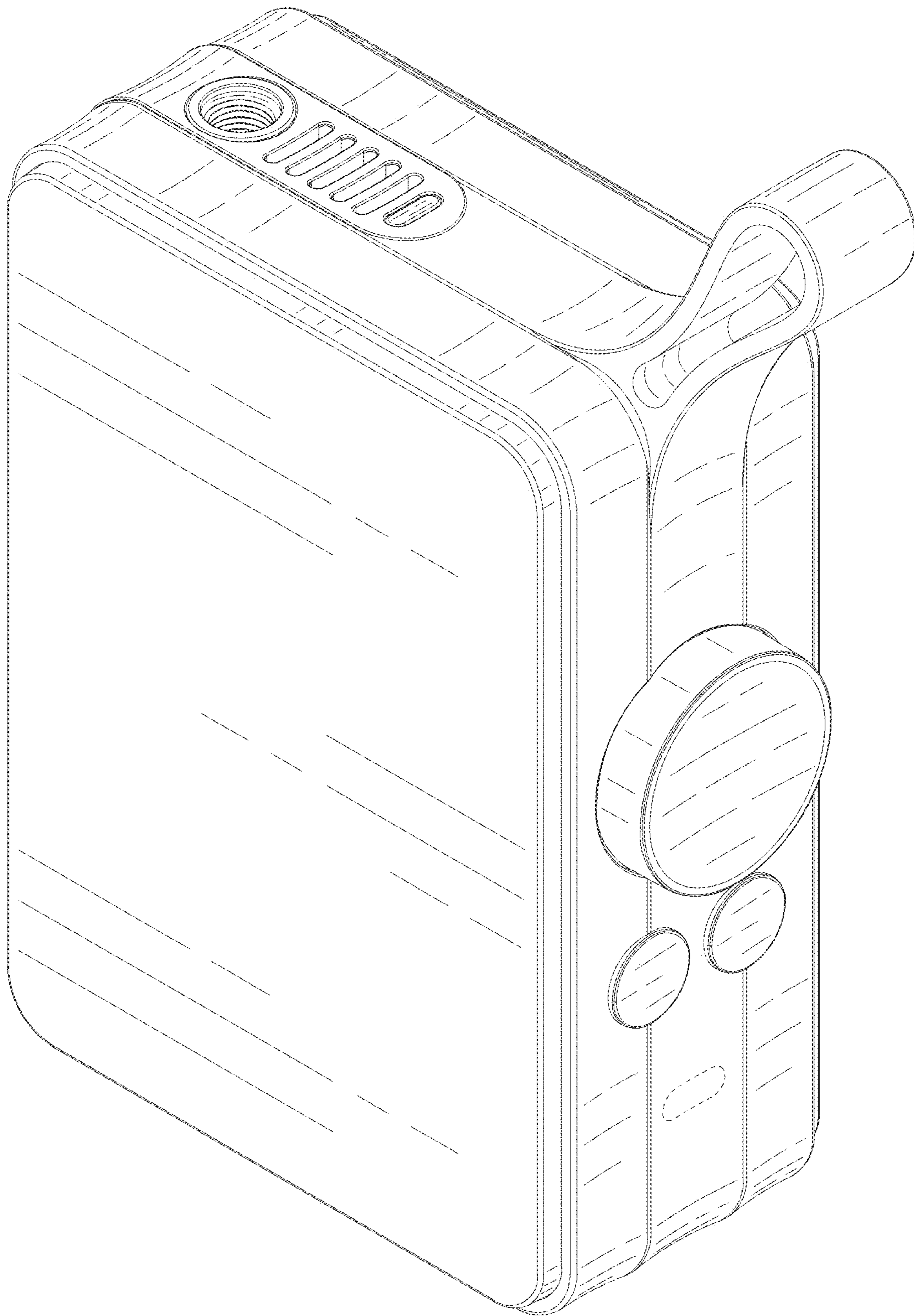


FIG. 1

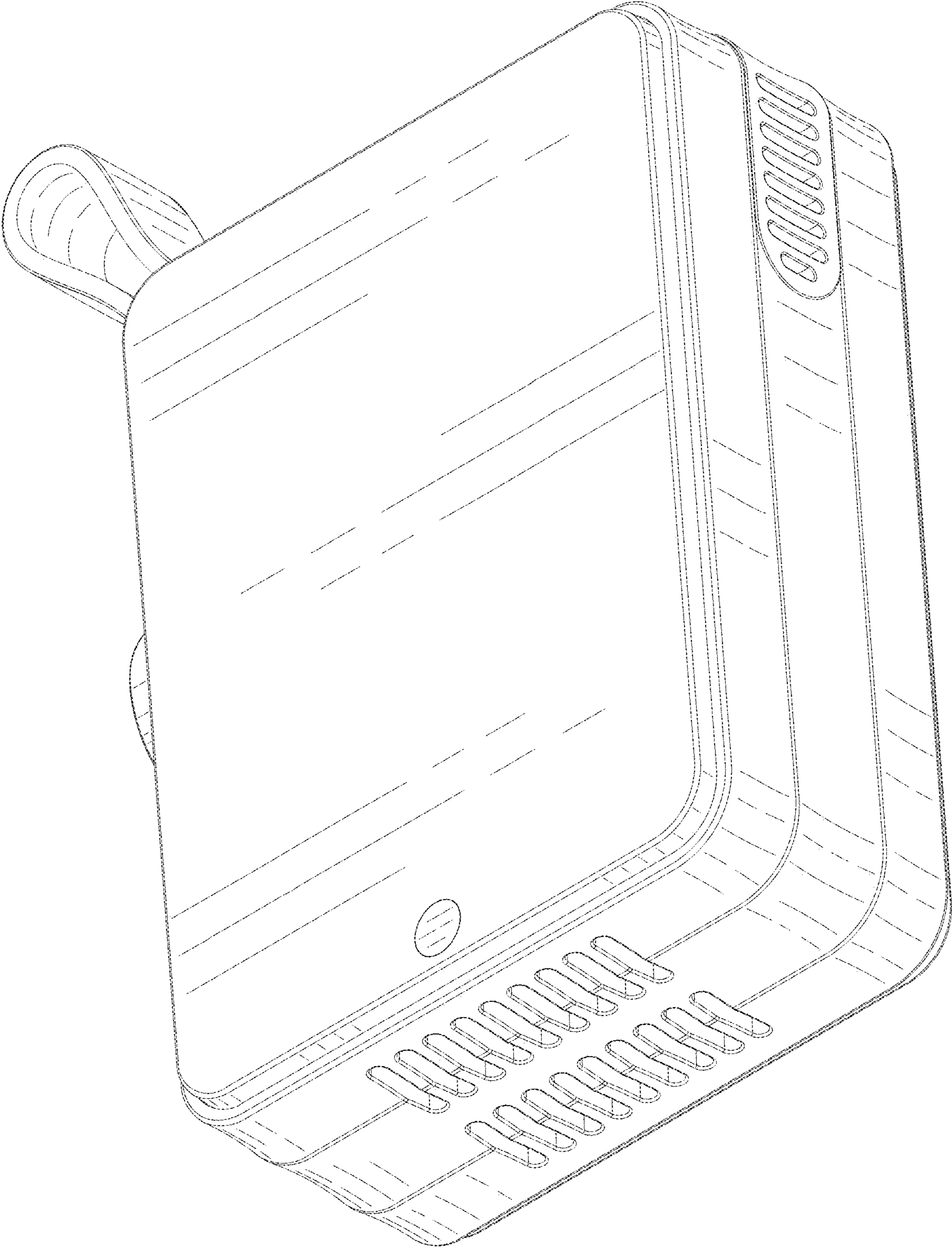


FIG. 2

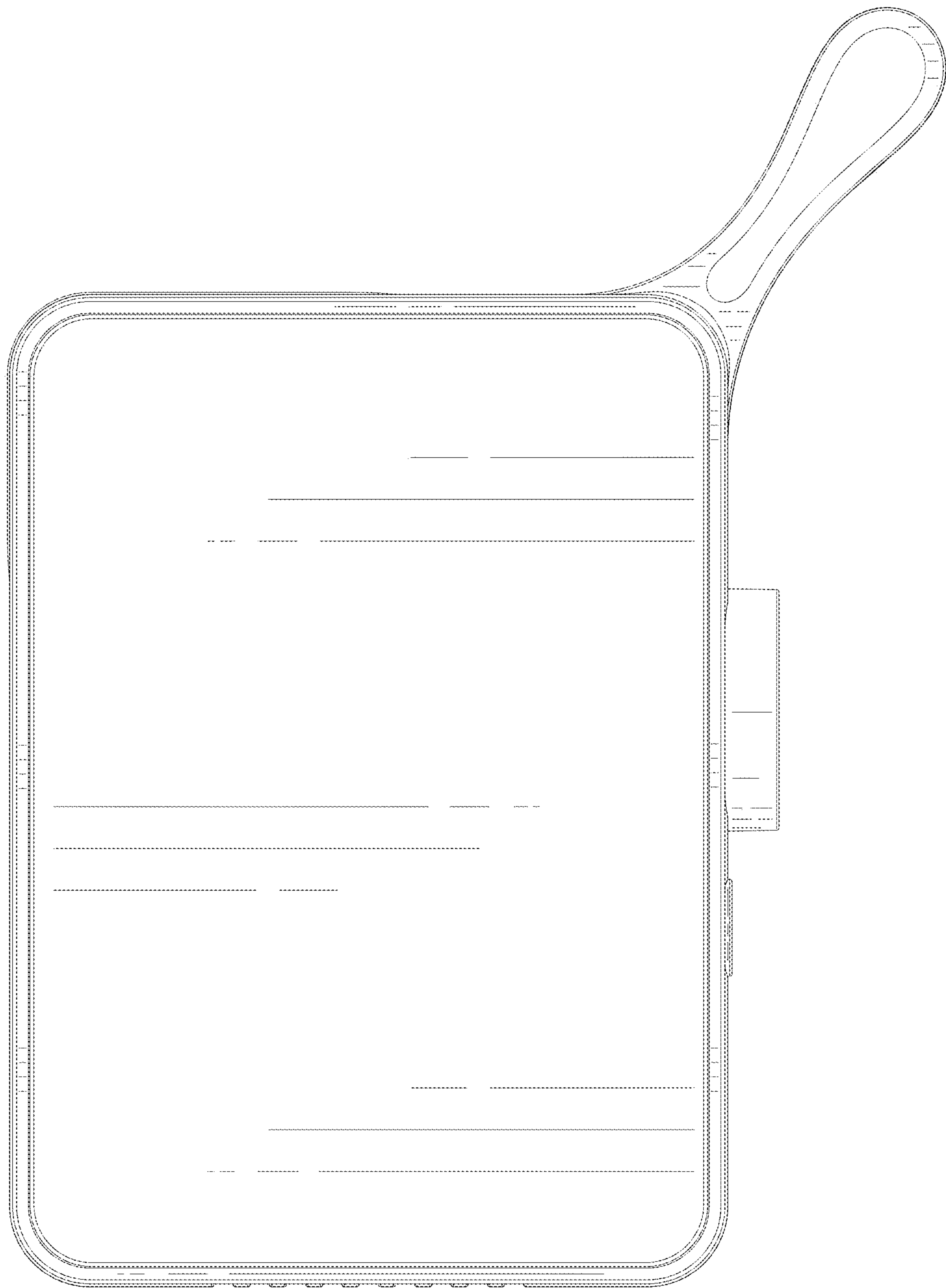


FIG. 3

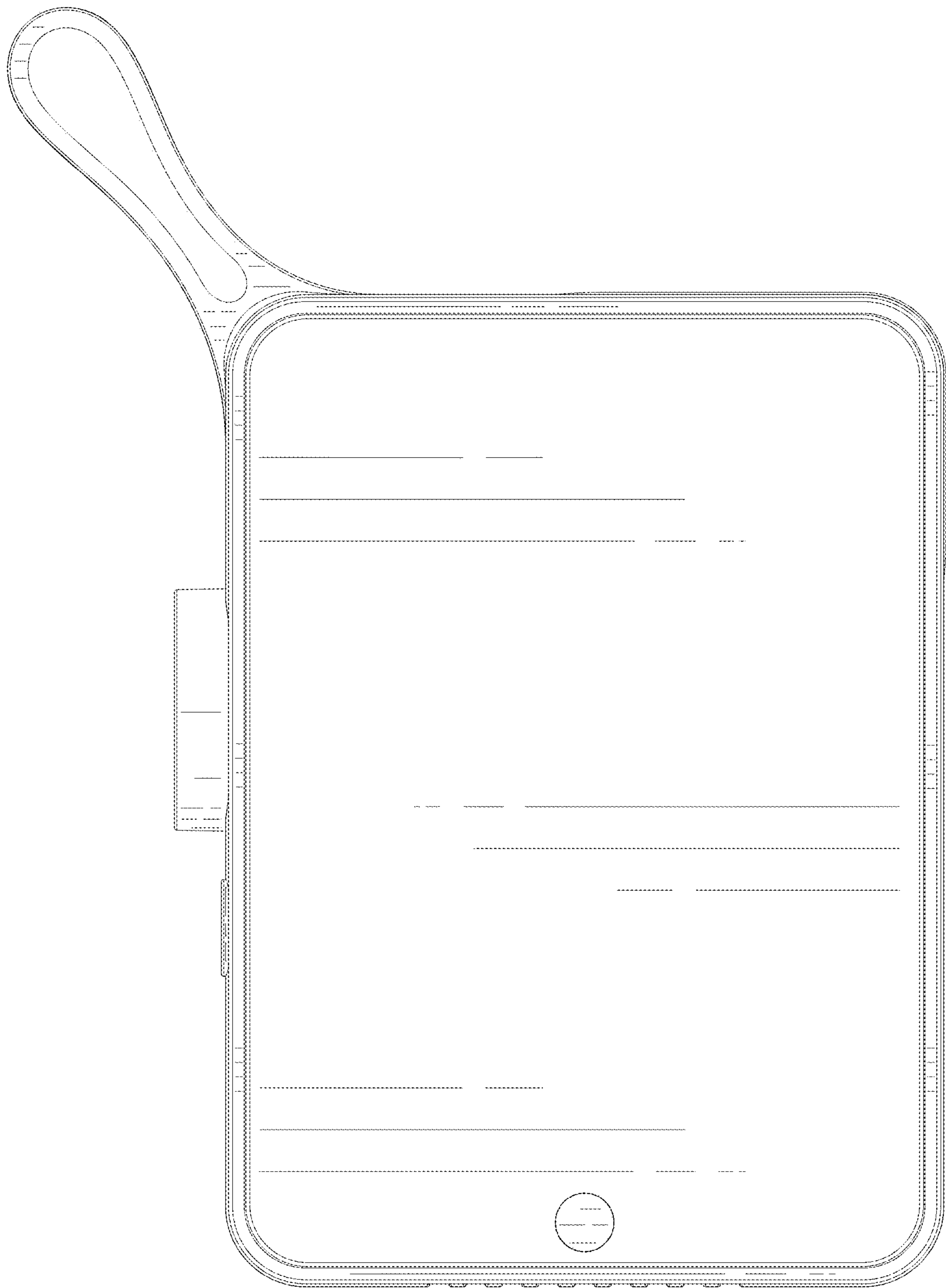


FIG. 4

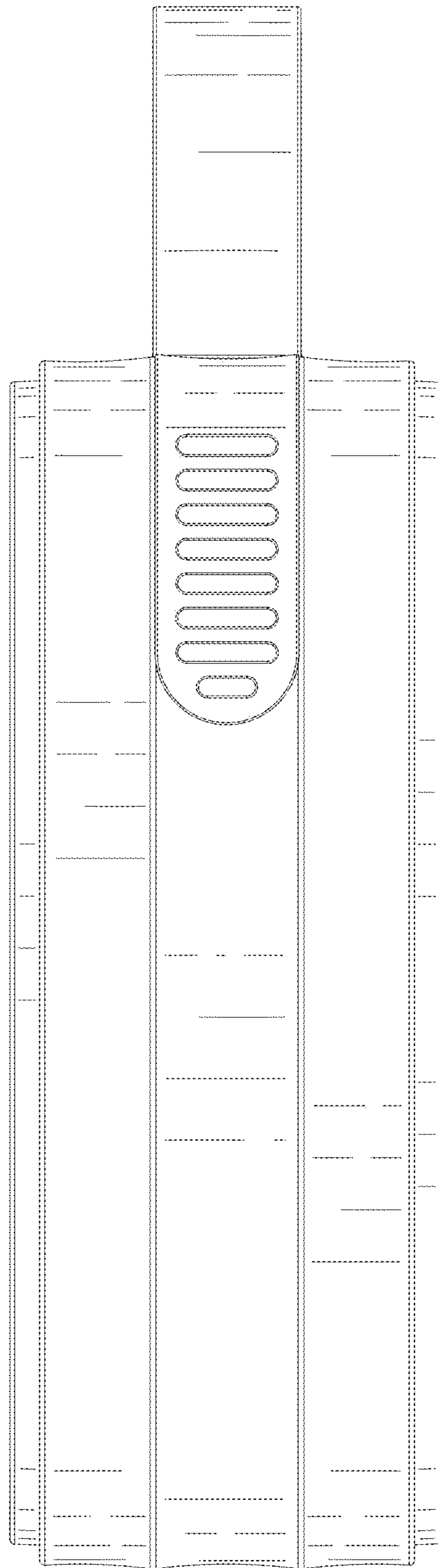


FIG. 5

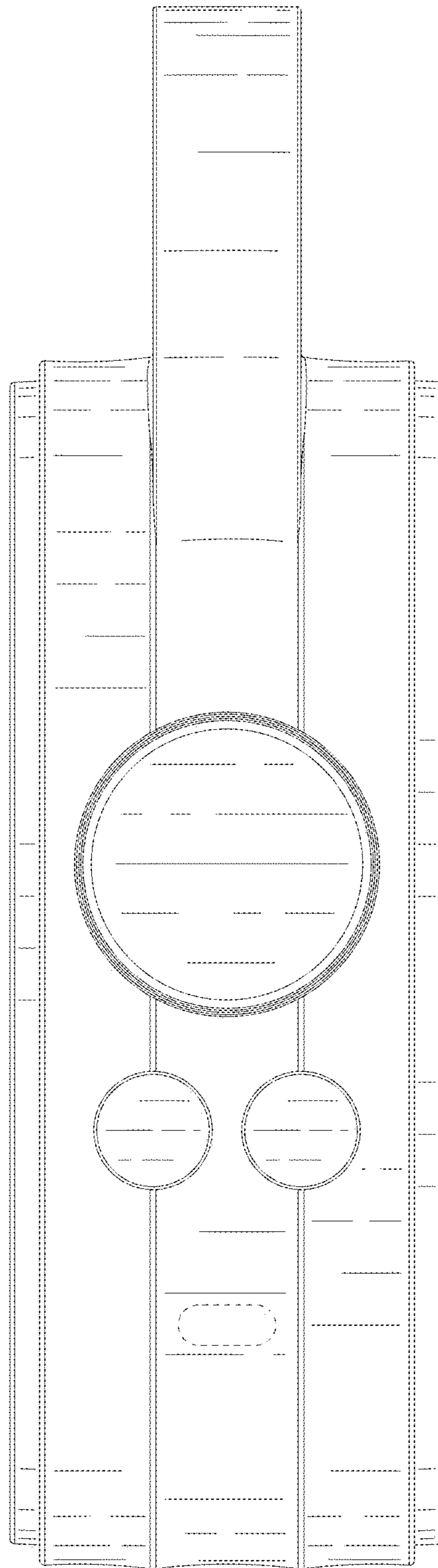


FIG. 6

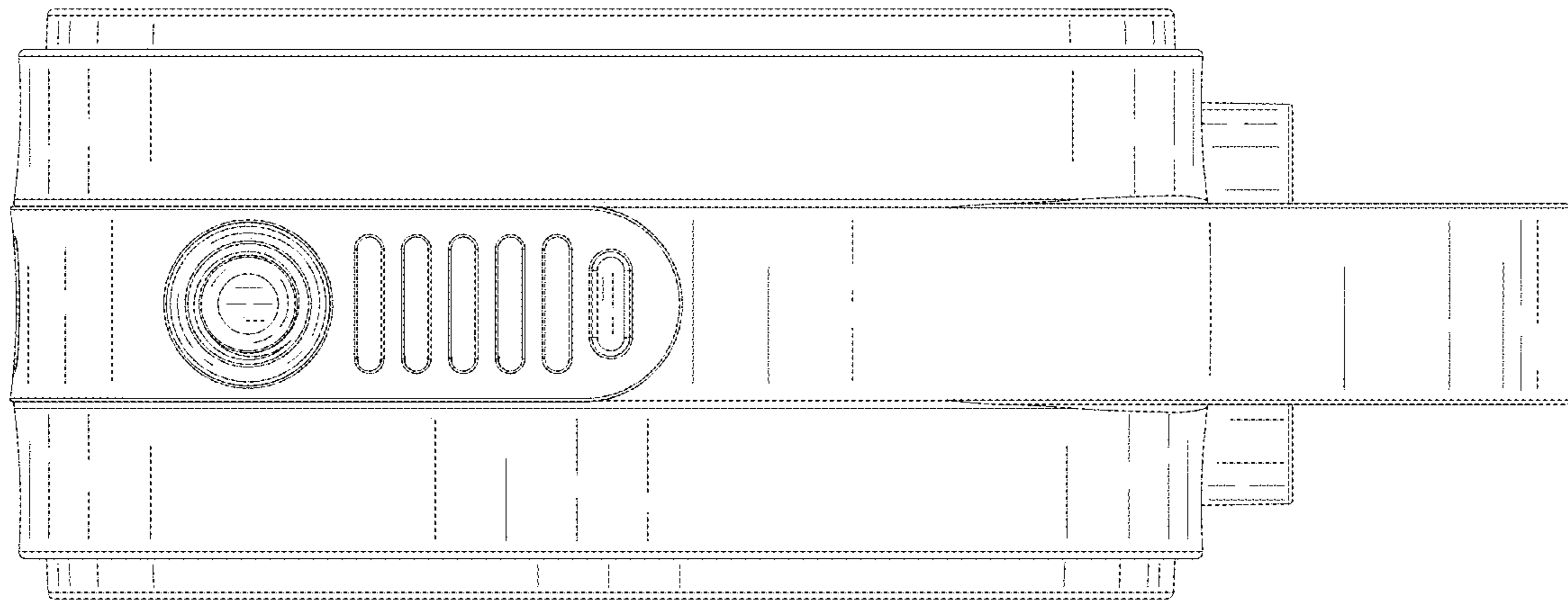


FIG. 7

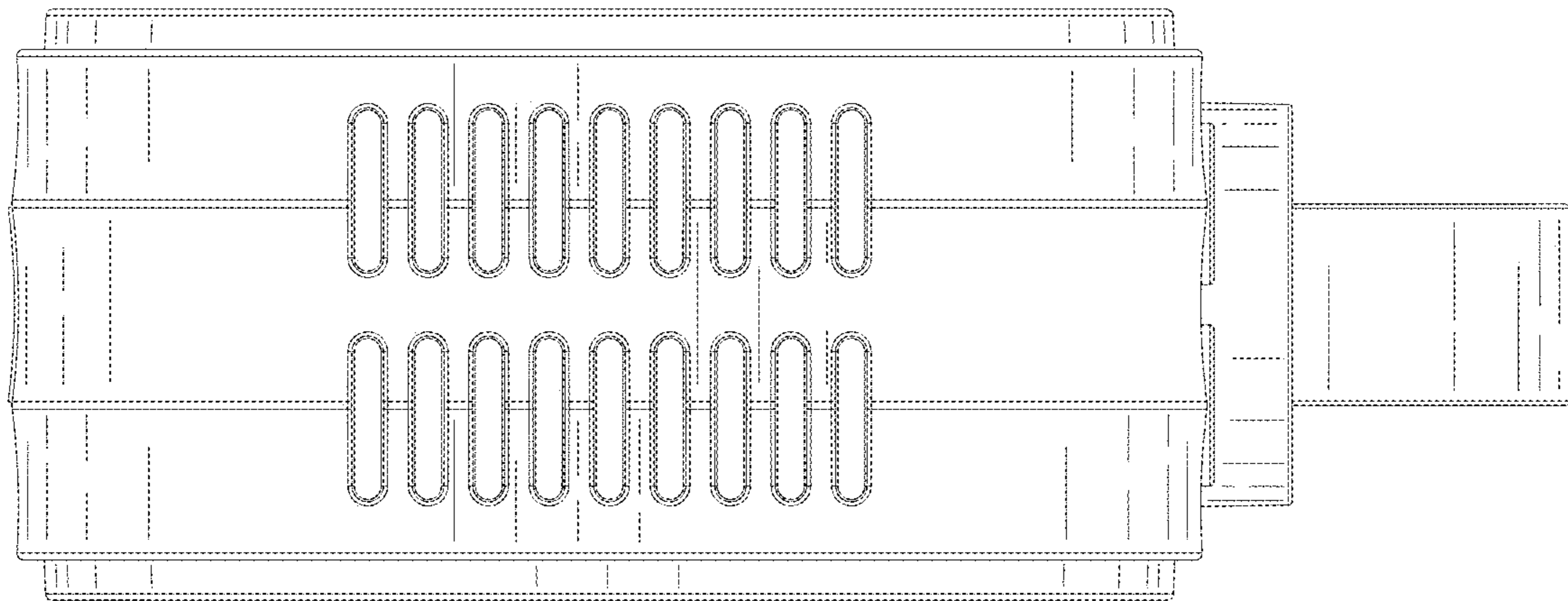


FIG. 8