



US00D980286S

(12) **United States Design Patent**  
**Kencevski**

(10) **Patent No.:** **US D980,286 S**

(45) **Date of Patent:** **\*\* Mar. 7, 2023**

(54) **SPARK PLUG WIRE RETAINER FOR DISTRIBUTOR CAP**

(71) Applicant: **Jason Kencevski**, Sydney (AU)

(72) Inventor: **Jason Kencevski**, Sydney (AU)

(\*\*) Term: **15 Years**

(21) Appl. No.: **29/759,544**

(22) Filed: **Nov. 24, 2020**

(51) **LOC (14) Cl.** ..... **15-01**

(52) **U.S. Cl.**  
USPC ..... **D15/5**

(58) **Field of Classification Search**  
USPC ..... D15/1, 2, 3, 4, 5, 6; D8/356, 354, 349, D8/357  
CPC .... B60R 16/0215; F02M 41/02; F02M 41/00; F02M 41/1405; F02P 7/02; F02P 7/021; F02P 7/026; F02P 7/022; F02P 7/00  
See application file for complete search history.

(56) **References Cited**

U.S. PATENT DOCUMENTS

4,631,370 A \* 12/1986 Kronberger ..... F02P 7/021  
200/306  
D294,945 S \* 3/1988 Segal ..... D15/5

D806,523 S \* 1/2018 Kencevski ..... D8/356  
D866,482 S \* 11/2019 DeCosta ..... D8/349  
10,914,403 B2 \* 2/2021 DeCosta ..... F16M 13/02  
2015/0035427 A1 \* 2/2015 Farrell ..... H01T 21/06  
313/268

\* cited by examiner

*Primary Examiner* — Ania Aman

(74) *Attorney, Agent, or Firm* — Integral Patent

(57) **CLAIM**

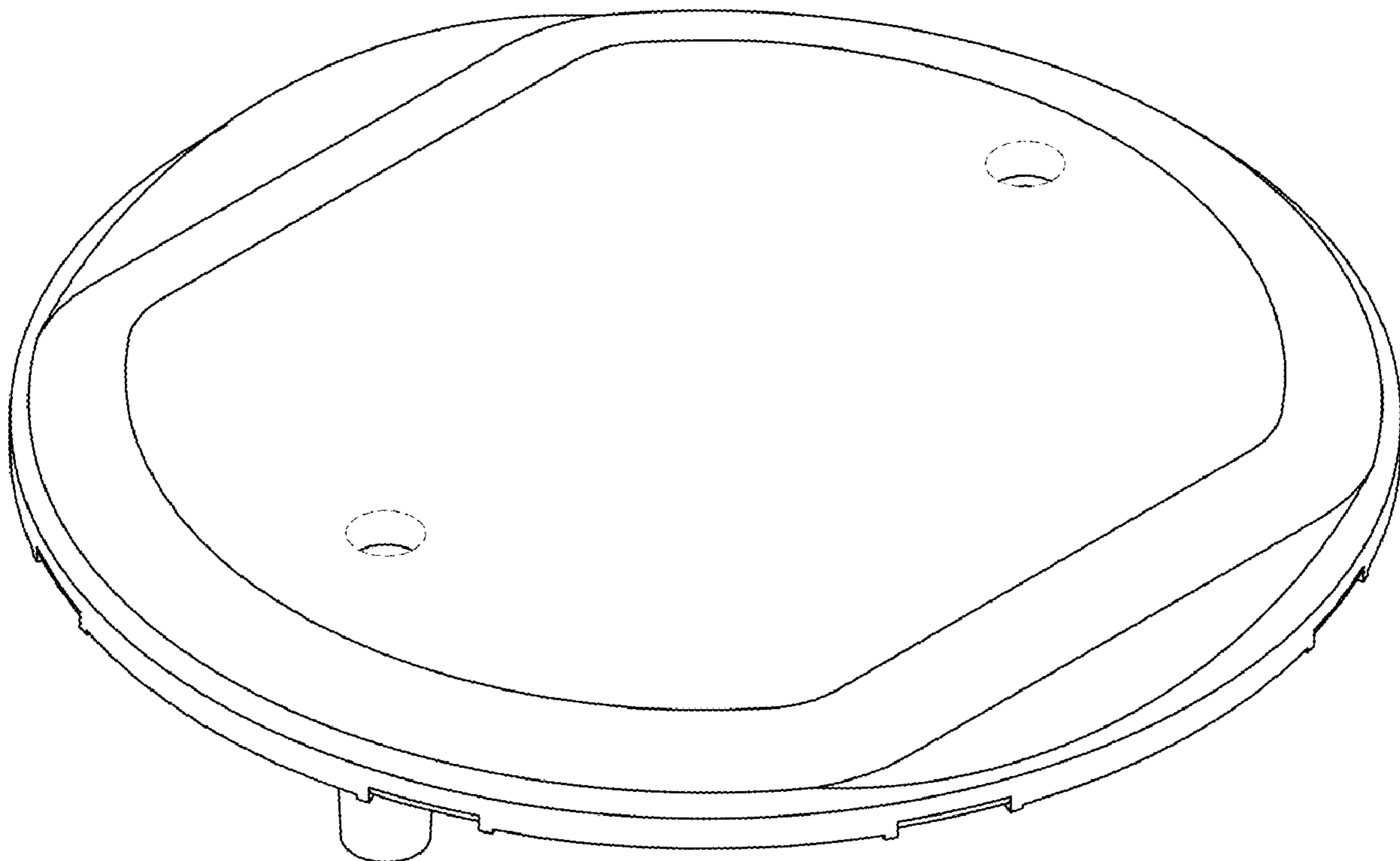
I claim the ornamental design for a spark plug wire retainer for distributor cap, as shown and described.

**DESCRIPTION**

FIG. 1 shows a top front left perspective view of a spark plug wire retainer for distributor cap showing my new design.  
FIG. 2 shows a bottom front left perspective view thereof;  
FIG. 3 shows a front view thereof;  
FIG. 4 shows a back view thereof;  
FIG. 5 shows a top view thereof;  
FIG. 6 shows a bottom view thereof;  
FIG. 7 shows a left side view thereof; and,  
FIG. 8 shows a right side view thereof.

The broken line shown in the drawings are for the purpose of illustrating portions of the article and form no part of the claimed design.

**1 Claim, 8 Drawing Sheets**



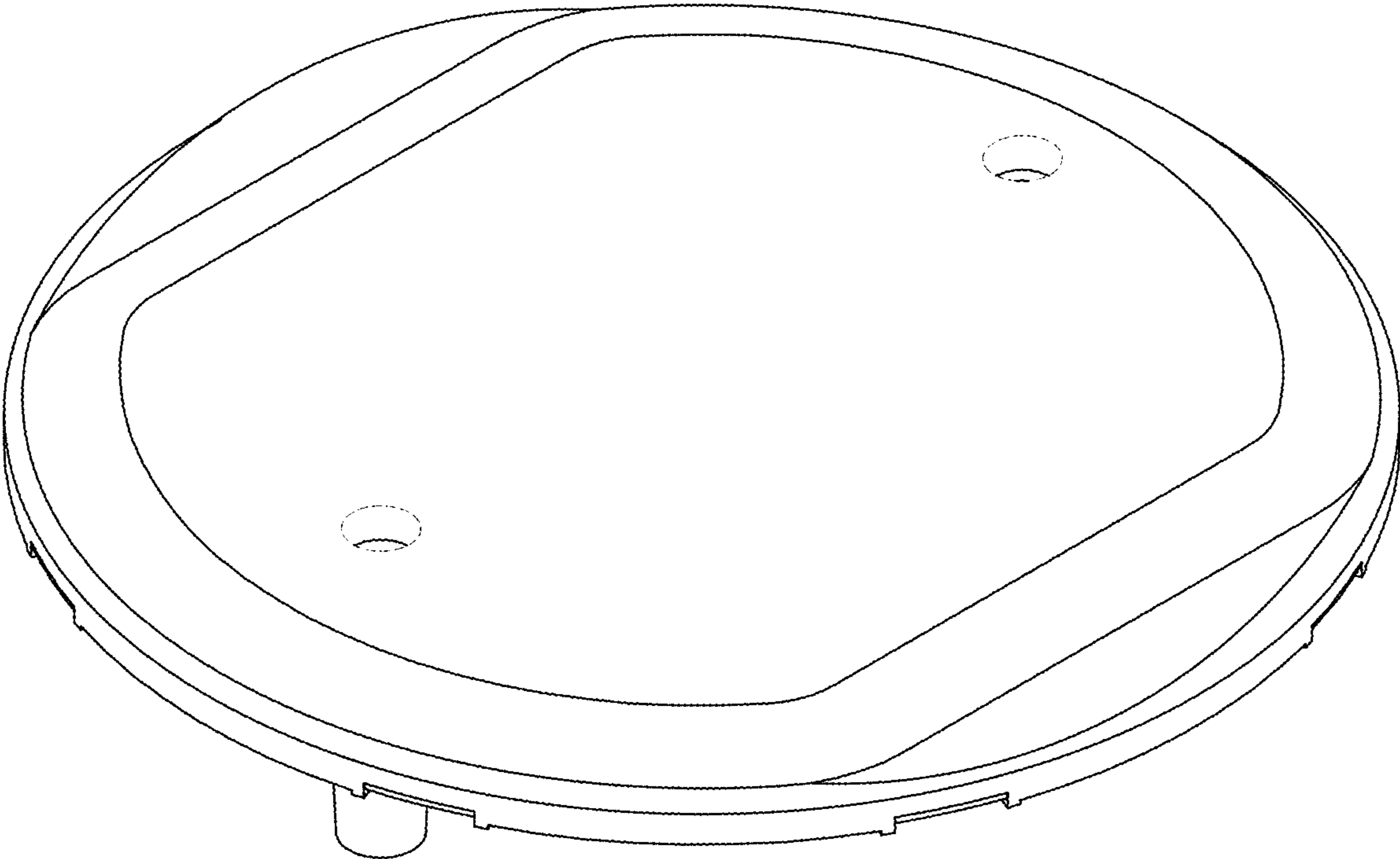


FIG. 1

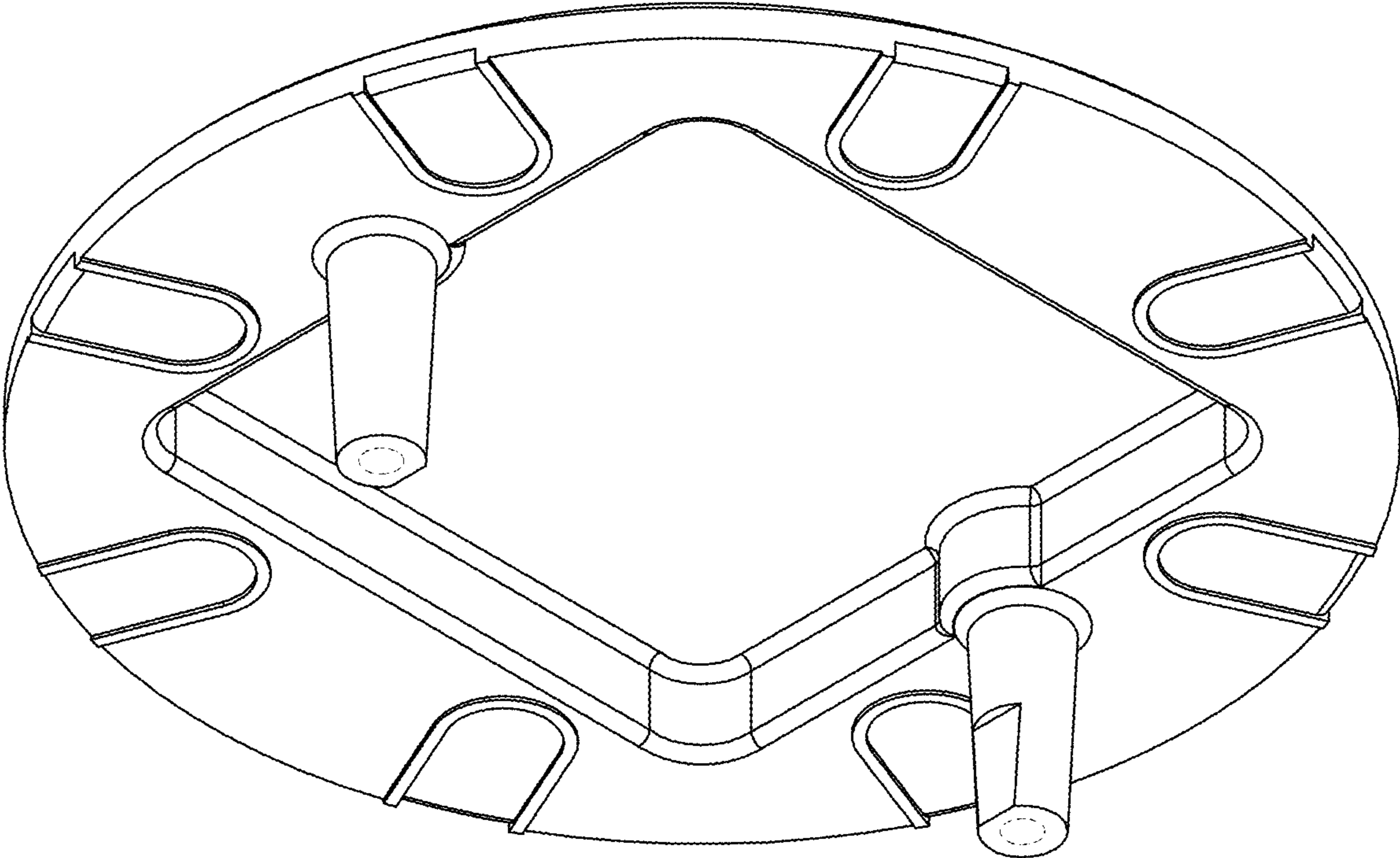


FIG. 2

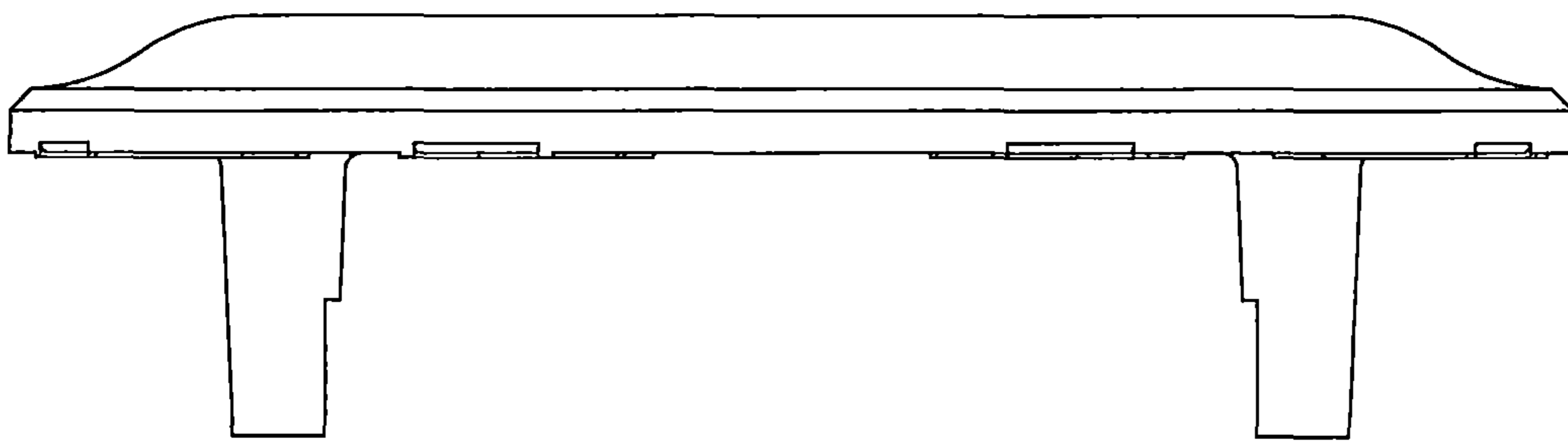


FIG. 3

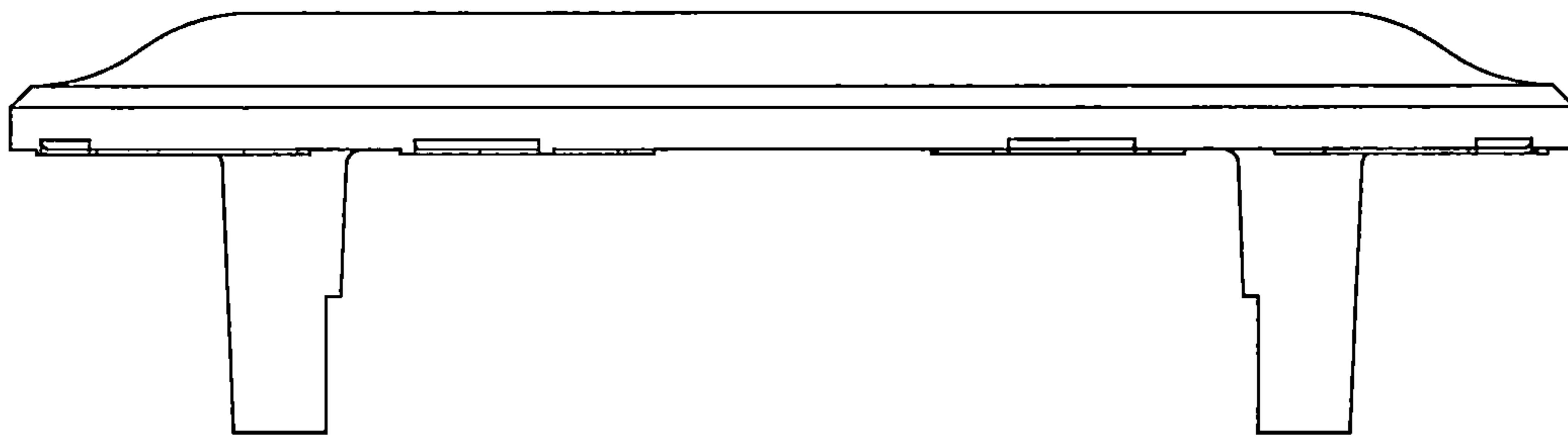


FIG. 4

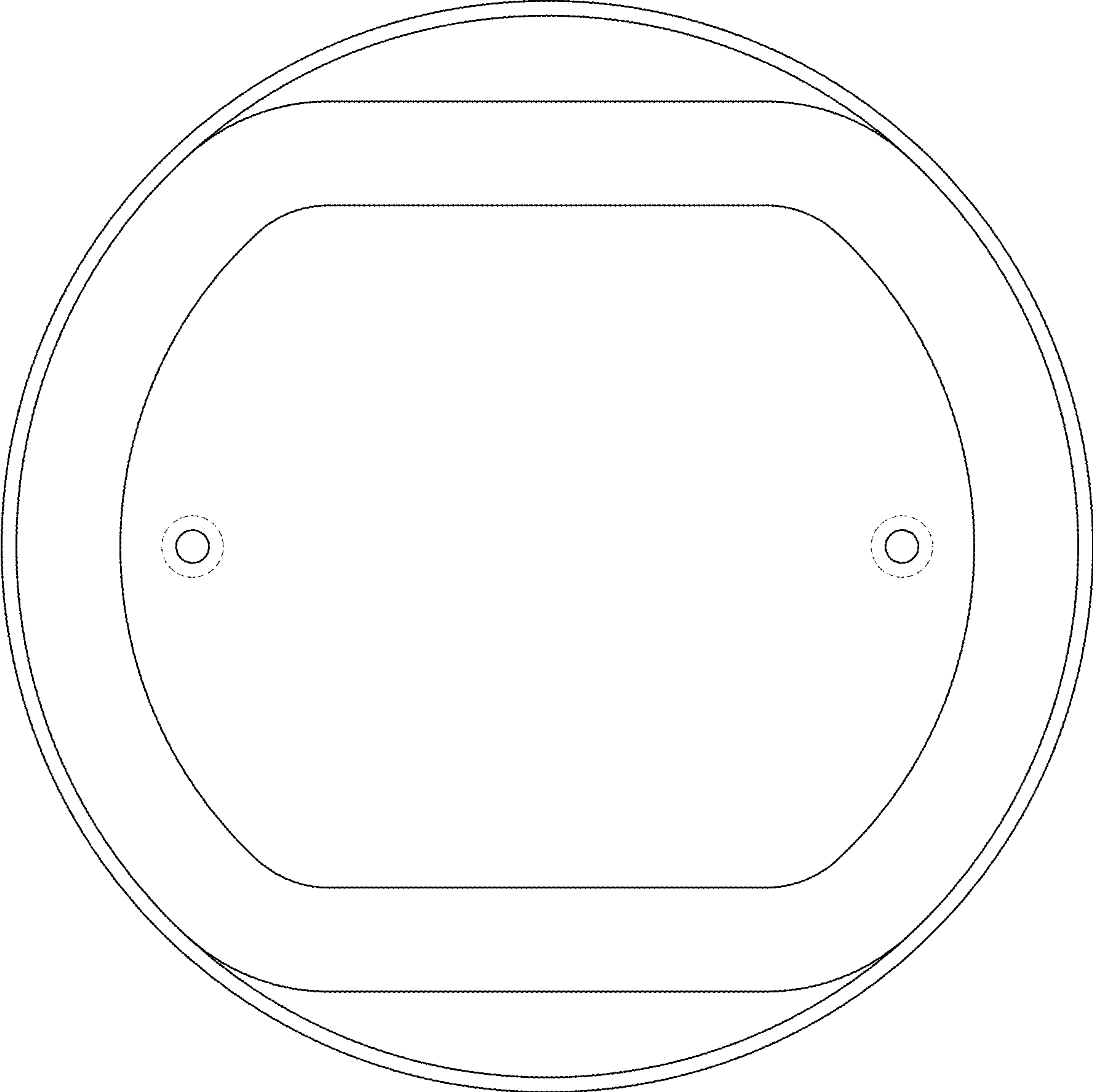


FIG. 5

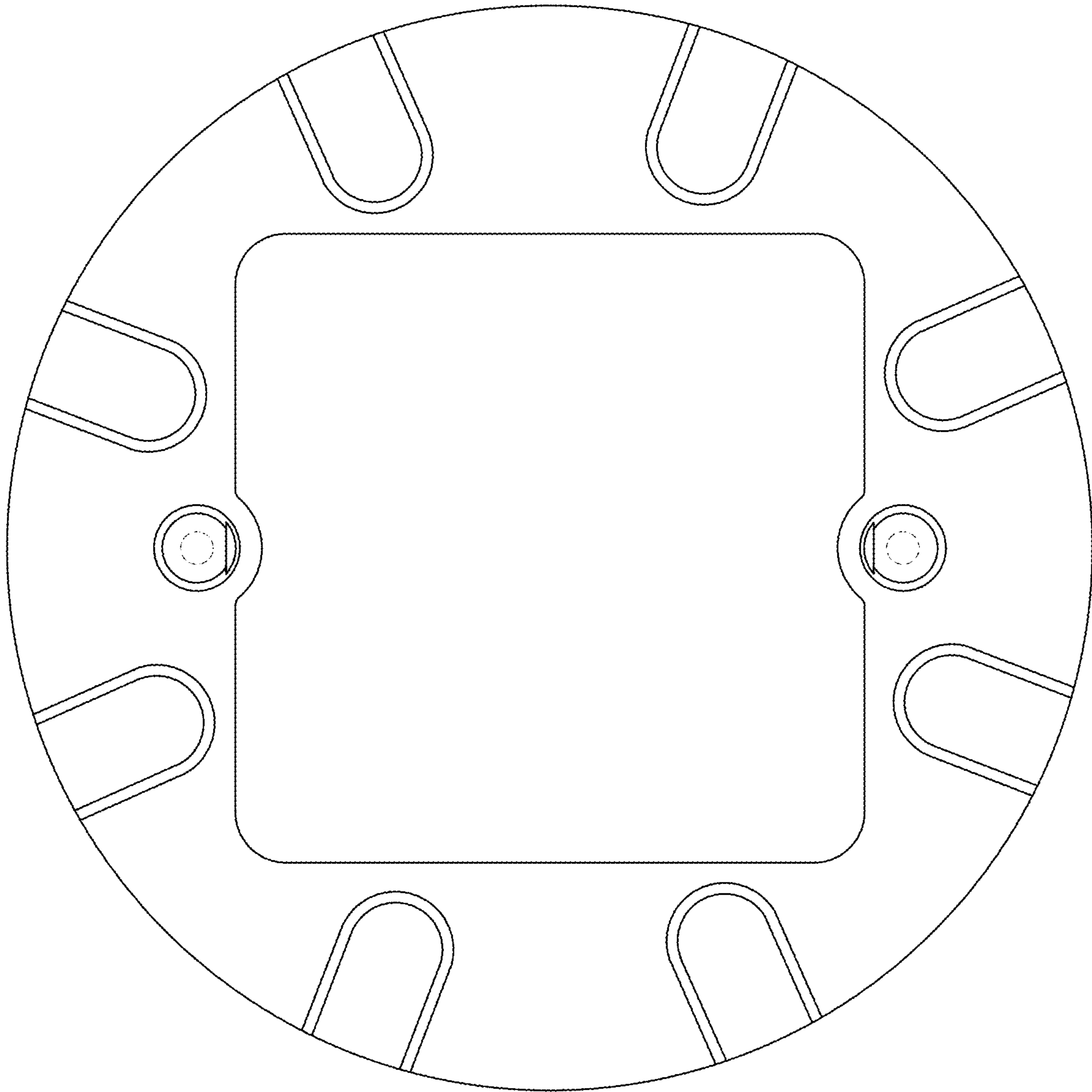


FIG. 6

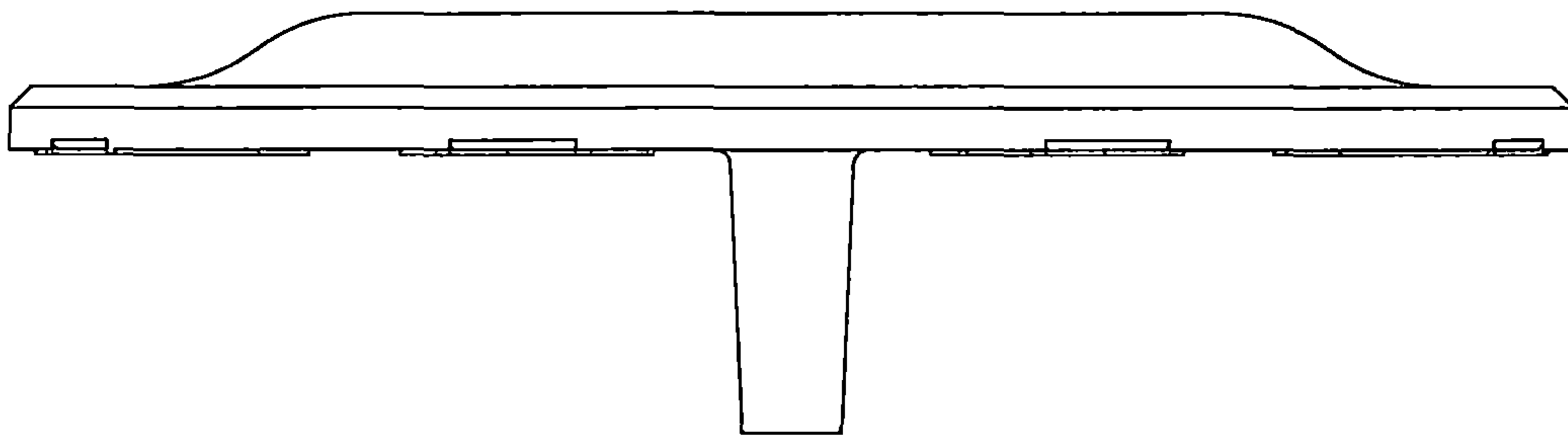


FIG. 7



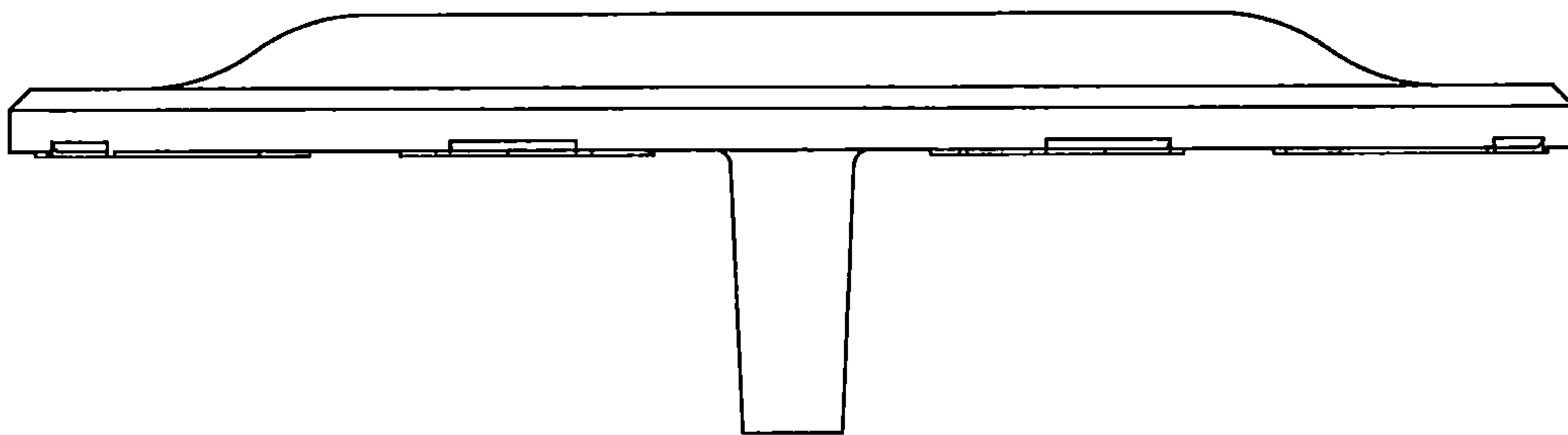


FIG. 8