



US00D980263S

(12) **United States Design Patent** (10) **Patent No.:** **US D980,263 S**
Koch et al. (45) **Date of Patent:** **** Mar. 7, 2023**

(54) **DISPLAY SCREEN WITH ICON**
(71) Applicants: **AGCO Corporation**, Duluth, GA (US);
AGCO DO BRASIL SA LTDA,
Ribeiro Preto (BR)
(72) Inventors: **Jared J. Koch**, Hesston, KS (US); **Jay**
Anthony Leininger, Hesston, KS (US);
Rodrigo Souza, Canoas (BR)
(73) Assignees: **AGCO Corporation**, Duluth, GA (US);
AGCO do Brasil Soluções Aerícolas
Ltda., Ribeirao Preto (BR)
(**) Term: **15 Years**
(21) Appl. No.: **29/703,609**
(22) Filed: **Aug. 28, 2019**
(51) **LOC (14) Cl.** **14-04**
(52) **U.S. Cl.**
USPC **D14/487**; D14/488; D14/492
(58) **Field of Classification Search**
USPC 345/1.1, 1.2, 2.1-2.3, 3.1, 902;
D14/485-495
CPC B60K 37/00; G06F 8/20; G06F
3/048-04897; G06F 3/013; G06F 3/017;
G06F 3/165; G06F 16/168; G06F
16/7335; G06F 2203/014; G06F
2206/1008; G06F 2209/545; G06F 30/12;
G06F 40/106; G06T 13/80; G06T 15/00;
G06T 15/02; G06Q 10/10; H04M 1/6075;
H04M 3/567; H04M 1/2477; H04M 1/26;
H04L 51/04; H04L 12/1813; H04N 7/16;
H04N 1/00408
See application file for complete search history.

(56) **References Cited**
U.S. PATENT DOCUMENTS
D437,859 S * 2/2001 Alvarez D14/489
D480,733 S * 10/2003 Hammerquist D14/486

D530,339 S * 10/2006 Hernandez D14/488
D549,714 S * 8/2007 Sharma D14/485
D725,128 S * 3/2015 Aoshima D14/485
D737,320 S * 8/2015 McCormick D14/489
D739,417 S * 9/2015 Laverack D14/485
D756,375 S * 5/2016 Aihara D14/485
D772,897 S * 11/2016 Warren D14/485
D773,509 S * 12/2016 Bistoni D14/486
D831,045 S * 10/2018 Leininger D14/485
D834,591 S * 11/2018 Lehmann D14/485
D851,677 S * 6/2019 Juhlin D14/492
D857,749 S * 8/2019 Brinker D14/492
D858,574 S * 9/2019 Brinker D14/492
D875,118 S * 2/2020 Kim D14/486
D889,497 S * 7/2020 Brinker D14/486
D889,498 S * 7/2020 Brinker D14/486
D918,934 S * 5/2021 Anderson D14/485
D932,512 S * 10/2021 Kikkawa D14/487
2008/0034984 A1 * 2/2008 Olander B65B 27/125
100/4
2012/0131500 A1 * 5/2012 Fujisawa G06F 3/04817
715/800

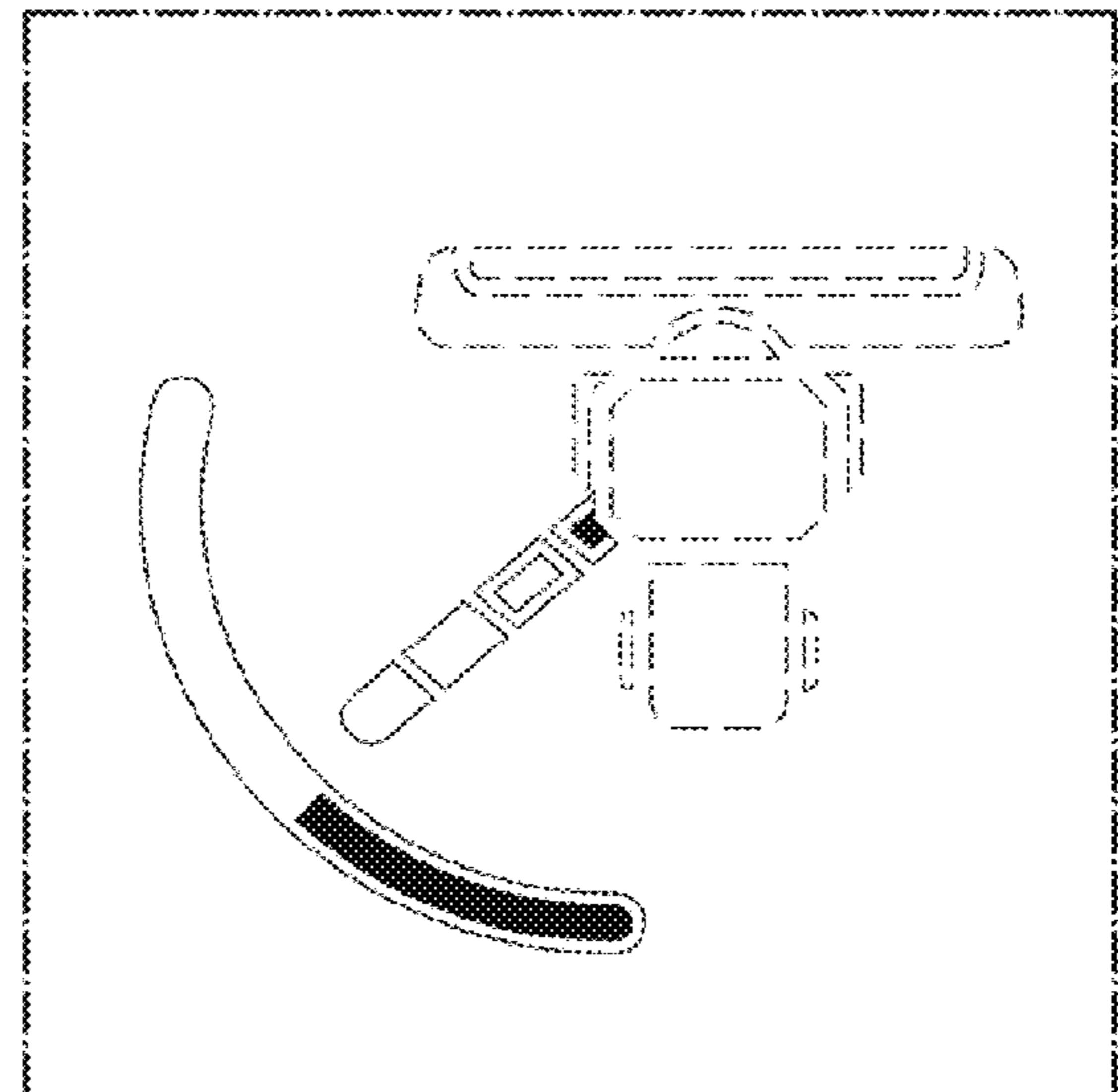
(Continued)

Primary Examiner — Cary M Robinson

(57) **CLAIM**
The ornamental design for a display screen with icon, as shown and described.

DESCRIPTION
FIG. 1 is a front view of a display screen with icon according to our new design.
FIG. 2 is a front view of another embodiment of our new design; and,
FIG. 3 is a front view of another embodiment of our new design.
The dot-dash line perimeter of each Figure illustrates a display screen portion and forms no part of the claimed design. All other broken lines depict portions of the article and form no part of the claimed design.

1 Claim, 3 Drawing Sheets



(56)

References Cited

U.S. PATENT DOCUMENTS

2014/0229866 A1* 8/2014 Gottlieb H04L 12/1822
715/758
2015/0135109 A1* 5/2015 Zambetti G06F 3/0482
715/767
2015/0354178 A1* 12/2015 Jeong E02F 9/26
340/438
2017/0231148 A1* 8/2017 Miwa A01B 59/06
239/164
2020/0073543 A1* 3/2020 Koch G06F 3/04842

* cited by examiner

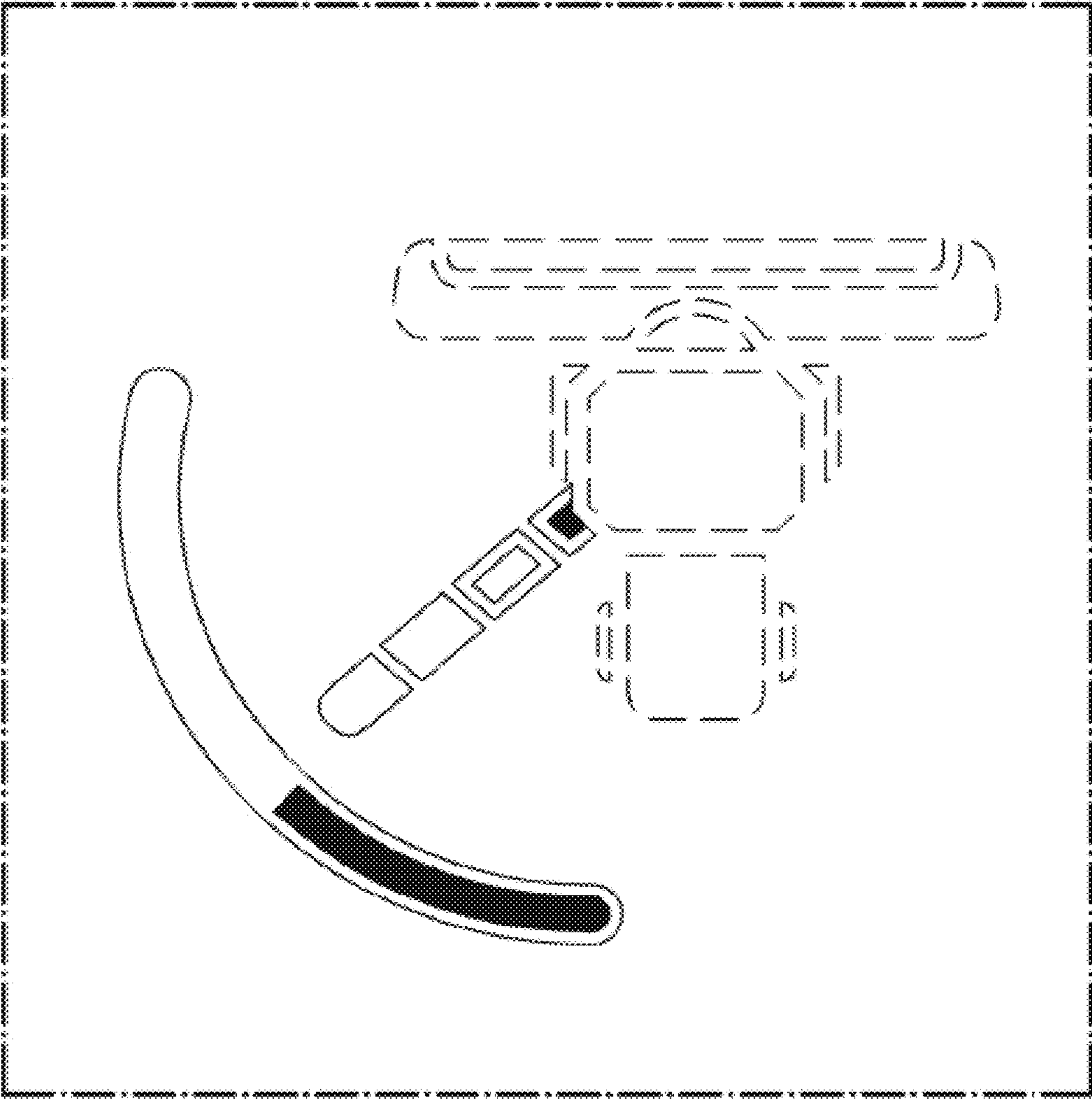


Fig. 1

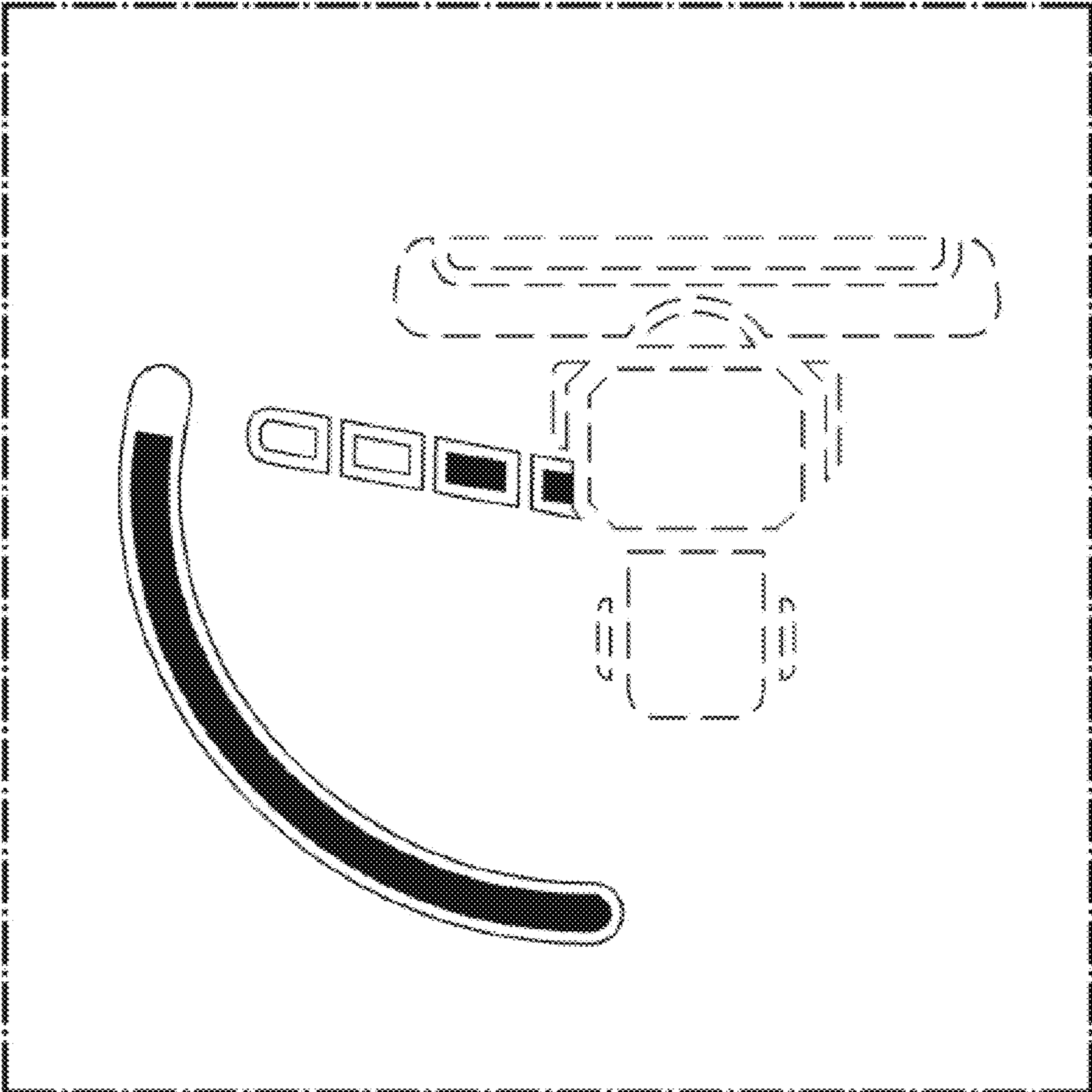


Fig. 2

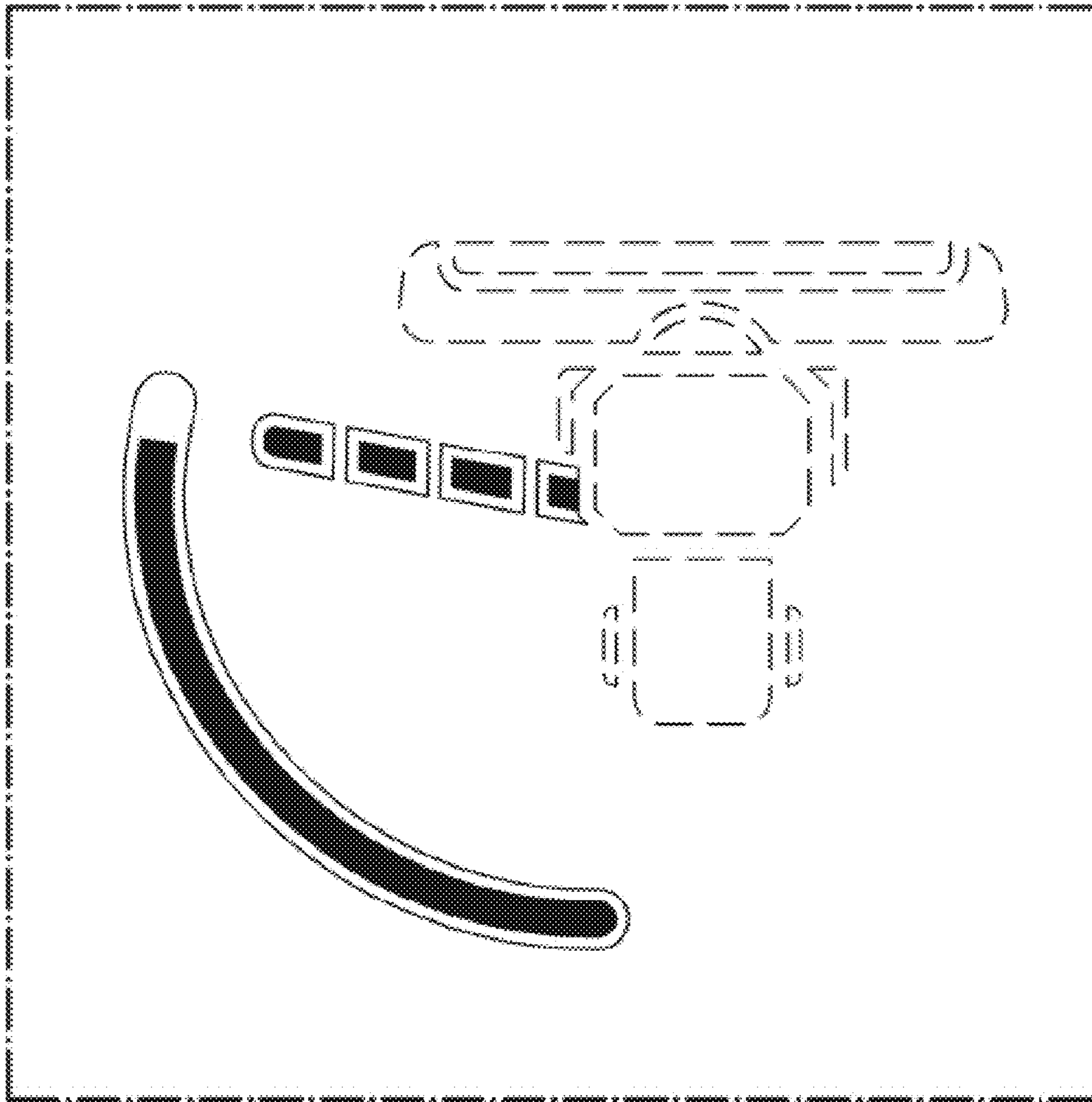


Fig. 3