



US00D980230S

(12) **United States Design Patent**
Tai et al.

(10) **Patent No.:** **US D980,230 S**
(45) **Date of Patent:** **** Mar. 7, 2023**

(54) **DISPLAY STAND WITH ARTICULATING ARM**

FOREIGN PATENT DOCUMENTS

(71) Applicant: **Dell Products L.P.**, Round Rock, TX (US)

JP	D2017-8493	* 10/2017
JP	2021-24671	* 4/2022
KR	3020160056115	* 7/2017

(72) Inventors: **Tzuwei Tai**, Taipei (TW); **Toshiyuki Tanaka**, Setagaya-ku (JP); **Chao-Long Chou**, New Taipei (TW); **Yuan-Ping Chu**, North Dist. (TW); **Michael Ellis Smith**, Austin, TX (US)

OTHER PUBLICATIONS

Dell, announced on Mar. 21, 2021 [online], retrieved on Aug. 3, 2022, retrieved from internet, <https://web.archive.org/web/20210321222934/https://www.dell.com/en-us/work/shop/dell-single-monitor-arm-msa20/apd/482-bbdi/monitors-monitor-accessories> (Year: 2021).*

(Continued)

(73) Assignee: **Dell Products L.P.**, Round Rock, TX (US)

Primary Examiner — Barbara Fox
Assistant Examiner — Noah Perez

(**) Term: **15 Years**

(74) *Attorney, Agent, or Firm* — Zagorin Cave LLP; Robert W. Holland

(21) Appl. No.: **29/770,265**

(57) **CLAIM**

(22) Filed: **Feb. 10, 2021**

We claim the ornamental design for a display stand with articulating arm, as shown and described.

(51) **LOC (14) Cl.** **14-02**

(52) **U.S. Cl.**
USPC **D14/452**

(58) **Field of Classification Search**
USPC D14/239, 271-382, 125-129, 336-337, D14/447-452, 492, 432, 251, 253
CPC G06F 3/0488; G06F 3/04883; G06F 3/023; G06F 3/0213; G06F 3/0219; G06F 3/0202; G06F 3/0338; G06F 3/03543; G06F 3/038; G06F 3/011; G06F 3/016; G06F 1/1616

DESCRIPTION

See application file for complete search history.

FIG. 1 is a front perspective view of a display stand with articulating arm comprising the present invention; FIG. 2 is a front elevation view thereof; FIG. 3 is a rear elevation view thereof; FIG. 4 is a right side view thereof; FIG. 5 is a left side view thereof; FIG. 6 is a top view thereof; FIG. 7 is a bottom view thereof; FIG. 8 is a bottom rear perspective view thereof; FIG. 9 is a front perspective view of the display stand with articulating arm shown in an environment of use; and, FIG. 10 is a front perspective exploded view of the display stand with articulating arm.

(56) **References Cited**

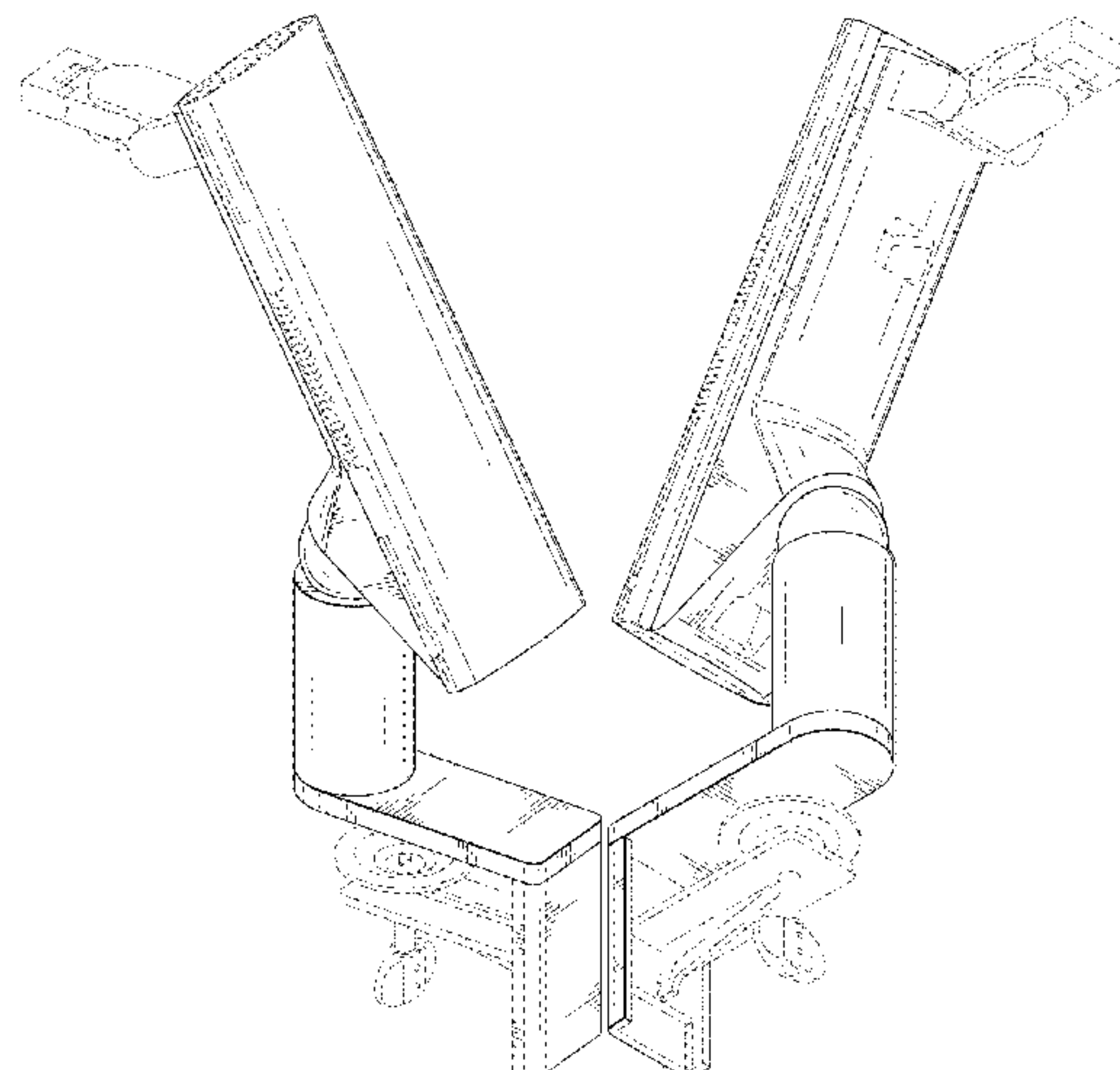
U.S. PATENT DOCUMENTS

D654,503 S * 2/2012 Sapper D14/452
8,720,838 B2 * 5/2014 Bowman F16M 11/2064
248/280.11

The broken line showing of the monitor, cables, and desk in FIG. 9 depicts environment and forms no part of the claimed

(Continued)

(Continued)



design. All other broken lines in the drawings depict portions of the display stand with articulating arm that form no part of the claimed design.

1 Claim, 9 Drawing Sheets

2011/0147546 A1* 6/2011 Monsalve F16M 11/2014
248/122.1
2011/0260017 A1* 10/2011 Monsalve F16M 13/022
248/201
2014/0367137 A1* 12/2014 Leung H02G 1/00
174/68.3

OTHER PUBLICATIONS

(56)

References Cited

U.S. PATENT DOCUMENTS

8,777,172 B2* 7/2014 Sapper F16M 11/24
248/921
D740,830 S * 10/2015 Chu D14/452
D750,627 S 3/2016 Lee et al.
9,400,083 B2* 7/2016 Sapper F16M 11/2092
D798,848 S * 10/2017 Frank D14/239
D805,085 S * 12/2017 Xiang D14/452
D807,373 S * 1/2018 Thetard D14/452
D812,066 S * 3/2018 Lazzi D14/447
D837,223 S 1/2019 Wu et al.
D847,823 S * 5/2019 Monsalve D14/452
D848,444 S * 5/2019 Jung D14/452
D849,013 S * 5/2019 Monsalve D14/452
10,309,578 B2* 6/2019 Yen F16M 11/041
D855,611 S 8/2019 Thetard et al.
D900,118 S 10/2020 Barnard et al.
D907,050 S * 1/2021 Vardar D14/452
2008/0164395 A1* 7/2008 Chang F16M 11/2035
248/276.1

Monitor Stands Now, no announcement date [online], retrieved on Aug. 3, 2022, retrieved from internet, <https://www.monitorstandsnow.com/P-22474/Wall-Mount-Arm-for-Monitors-for-Small-Computer-Screens?st=Category&sid=29386>.*

Monitor Stands Now, no announcement date [online], retrieved on Aug. 3, 2022, retrieved from internet, <https://www.monitorstandsnow.com/P-33904/Adjustable-Wall-Mount-Computer-Desk-Keyboard-Laptop-Tray-VESA-Bracket?st=Category&sid=29386>.*

Monitor Stands Now, no announcement date [online], retrieved on Aug. 3, 2022, retrieved from internet, <https://www.monitorstandsnow.com/P-27766/Folding-Computer-Display-Commercial-Use?st=Category&sid=29386>.*

U.S. Appl. No. 29/690,140, filed May 6, 2019, entitled "Information Handling System," by inventors Christopher Barnard et al.

U.S. Appl. No. 29/749,636, filed Sep. 8, 2020, entitled "Display Stand," by inventors Tzu-Wei Tai et al.

U.S. Appl. No. 29/754,614, filed Oct. 13, 2020, entitled "Mountable Information Handling System," by inventors Tzu-Wei Tai et al.

* cited by examiner

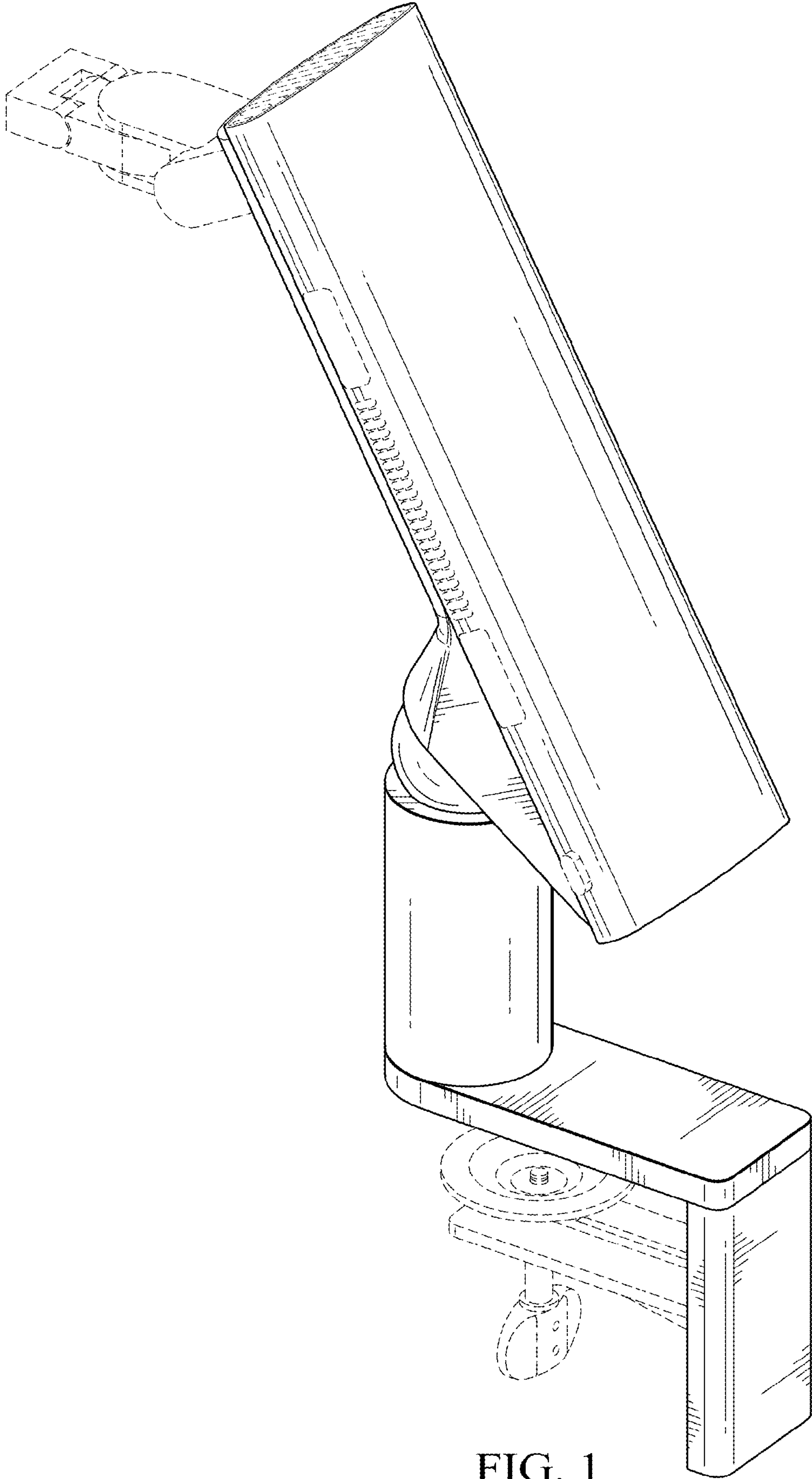


FIG. 1

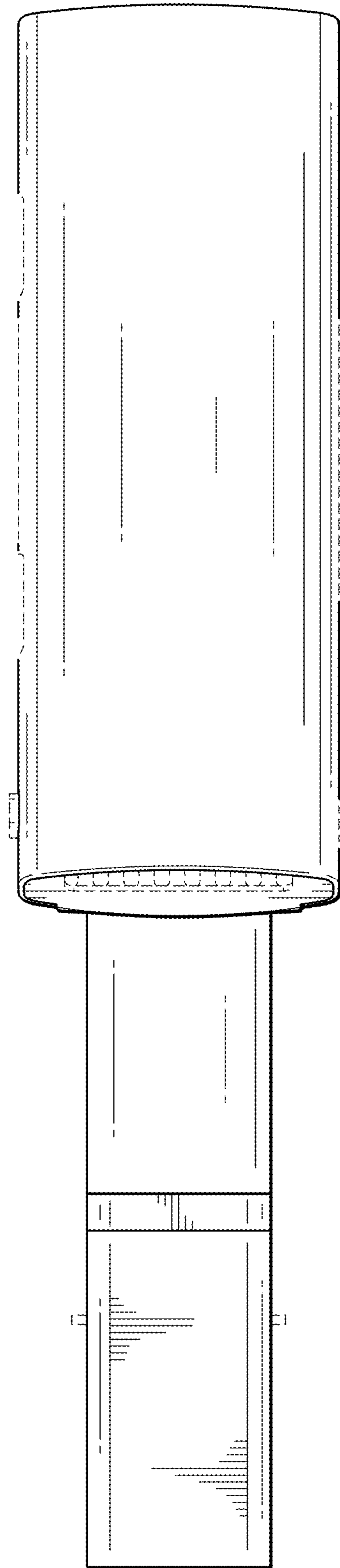


FIG. 2

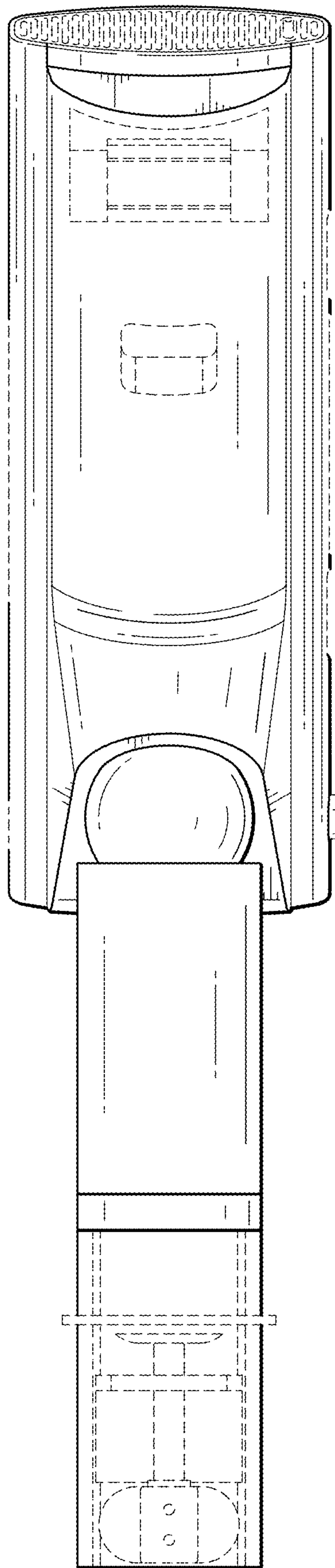


FIG. 3

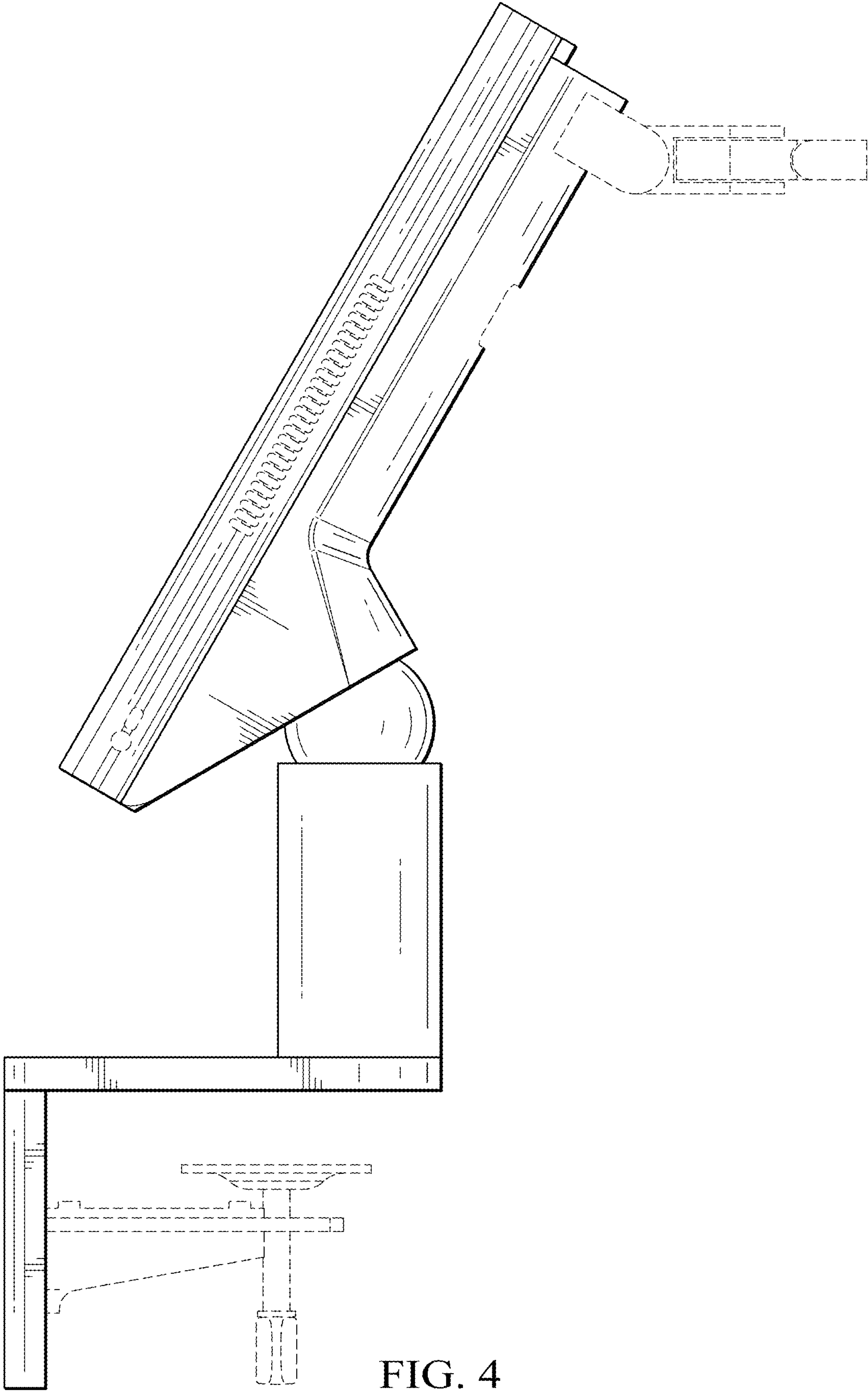


FIG. 4

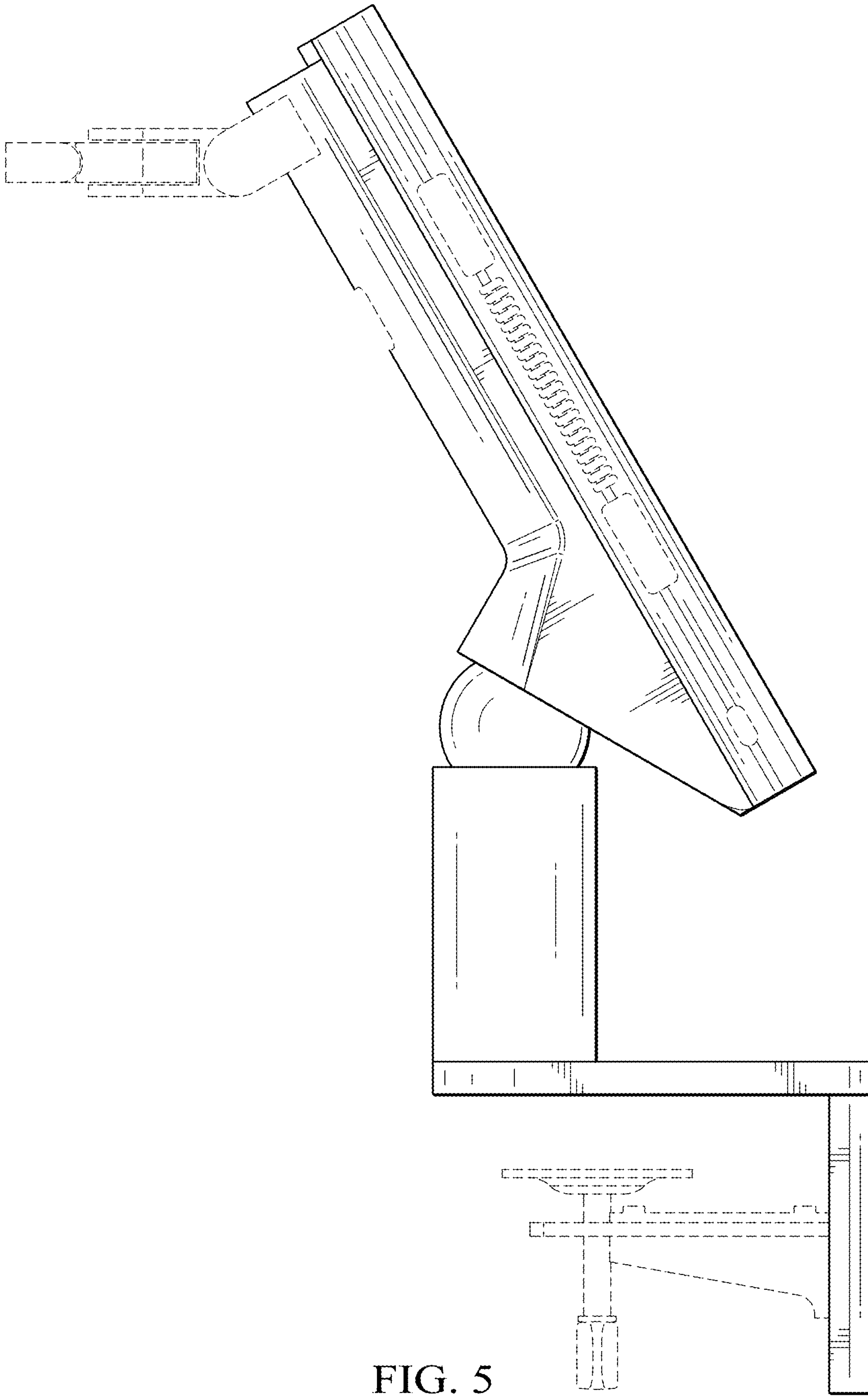


FIG. 5

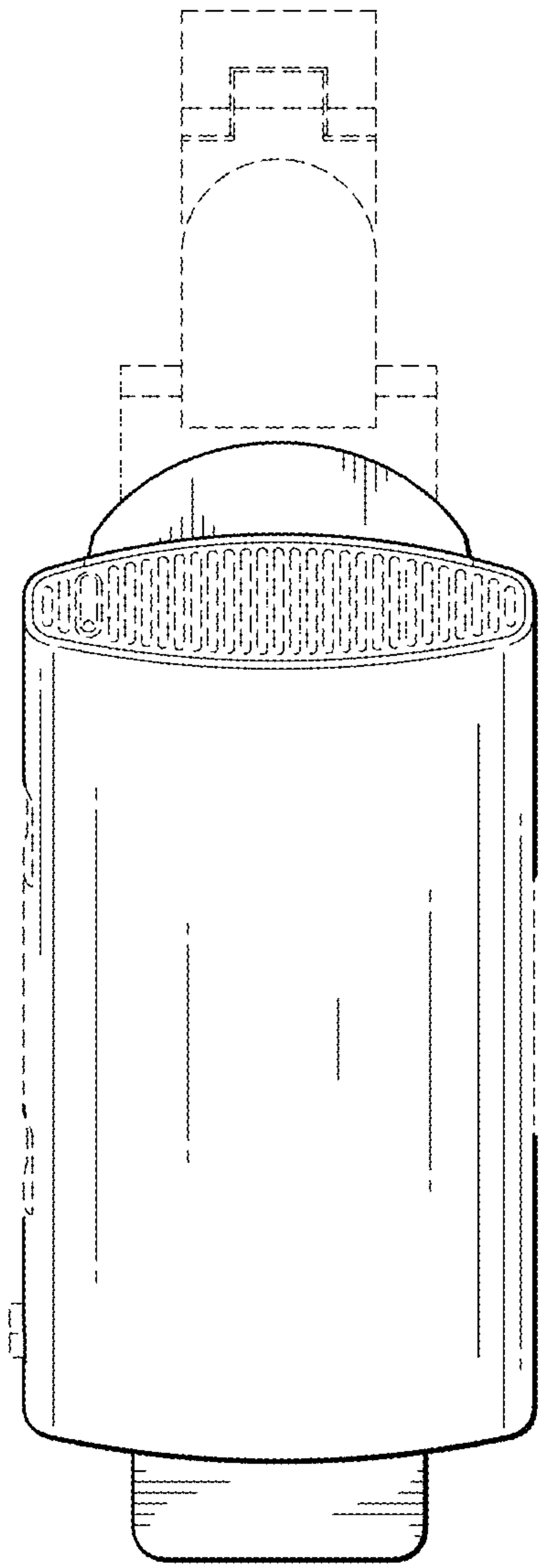


FIG. 6

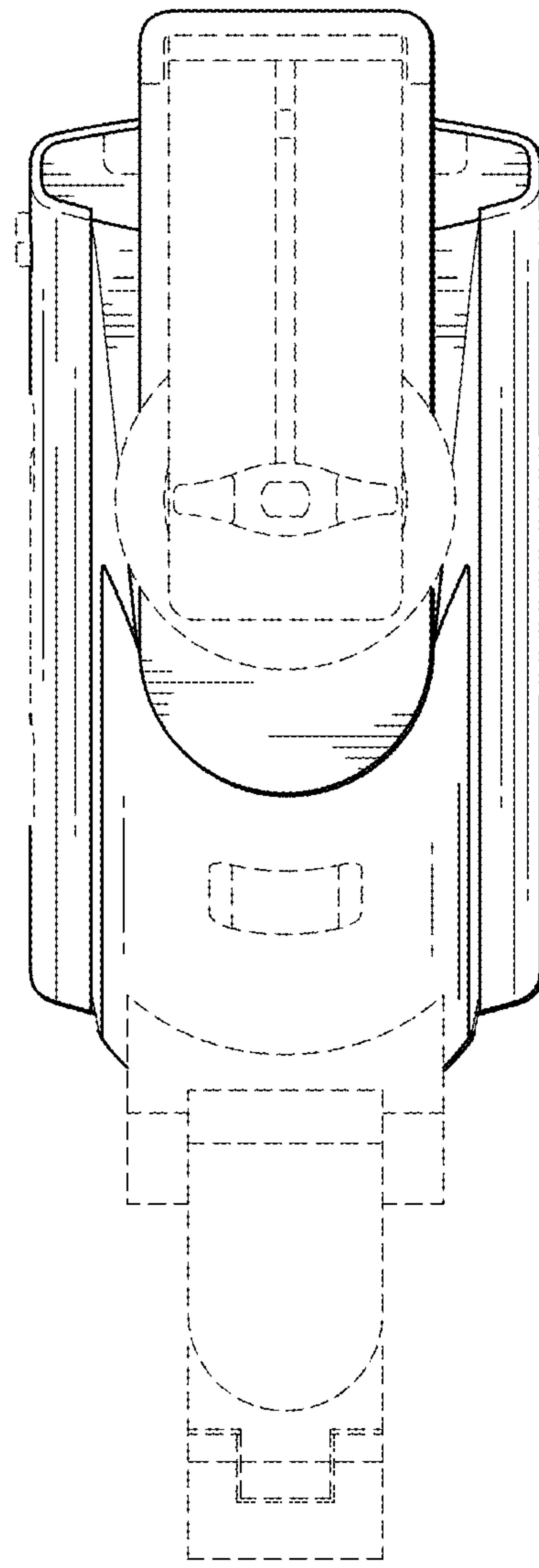


FIG. 7

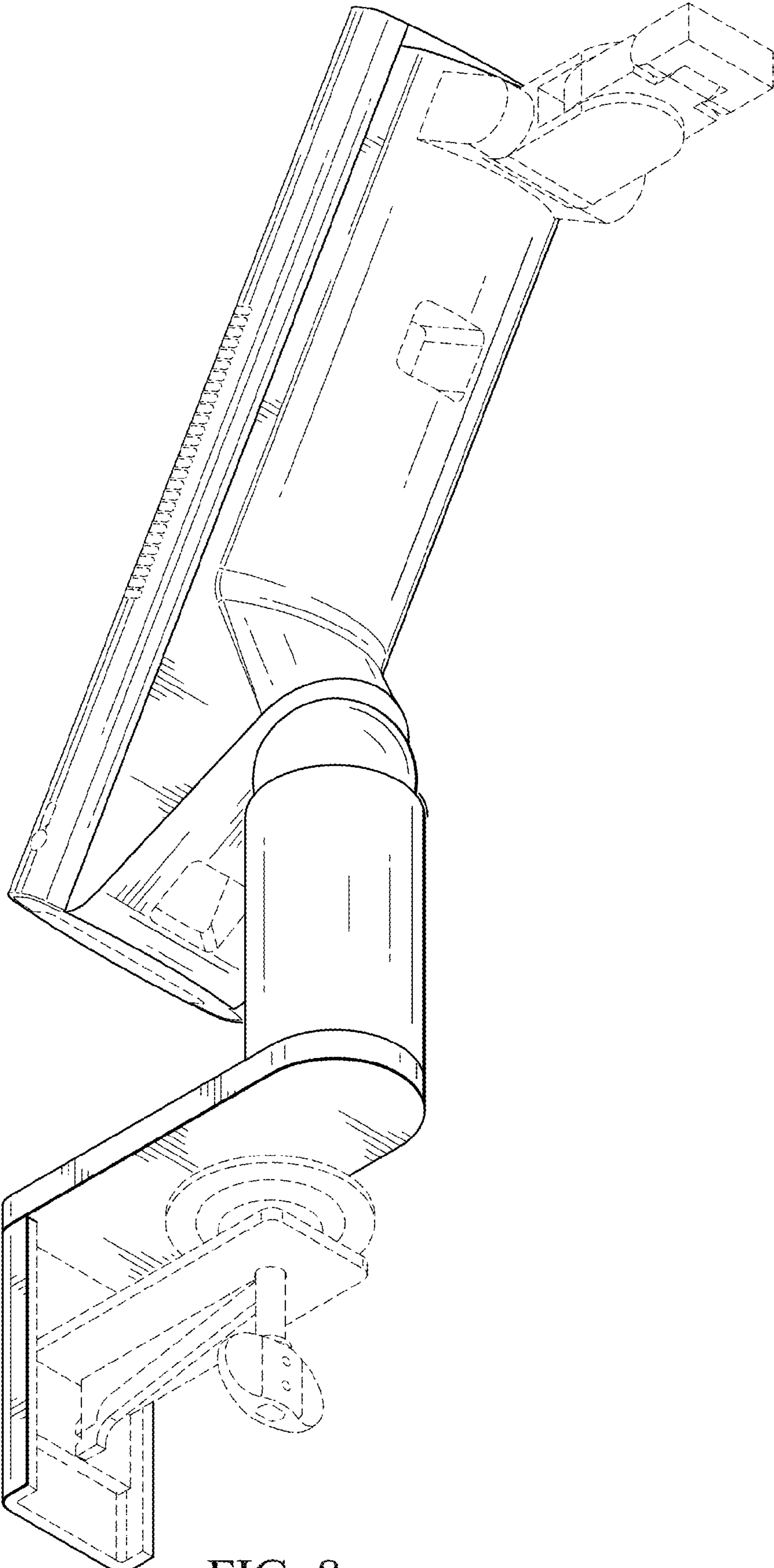


FIG. 8

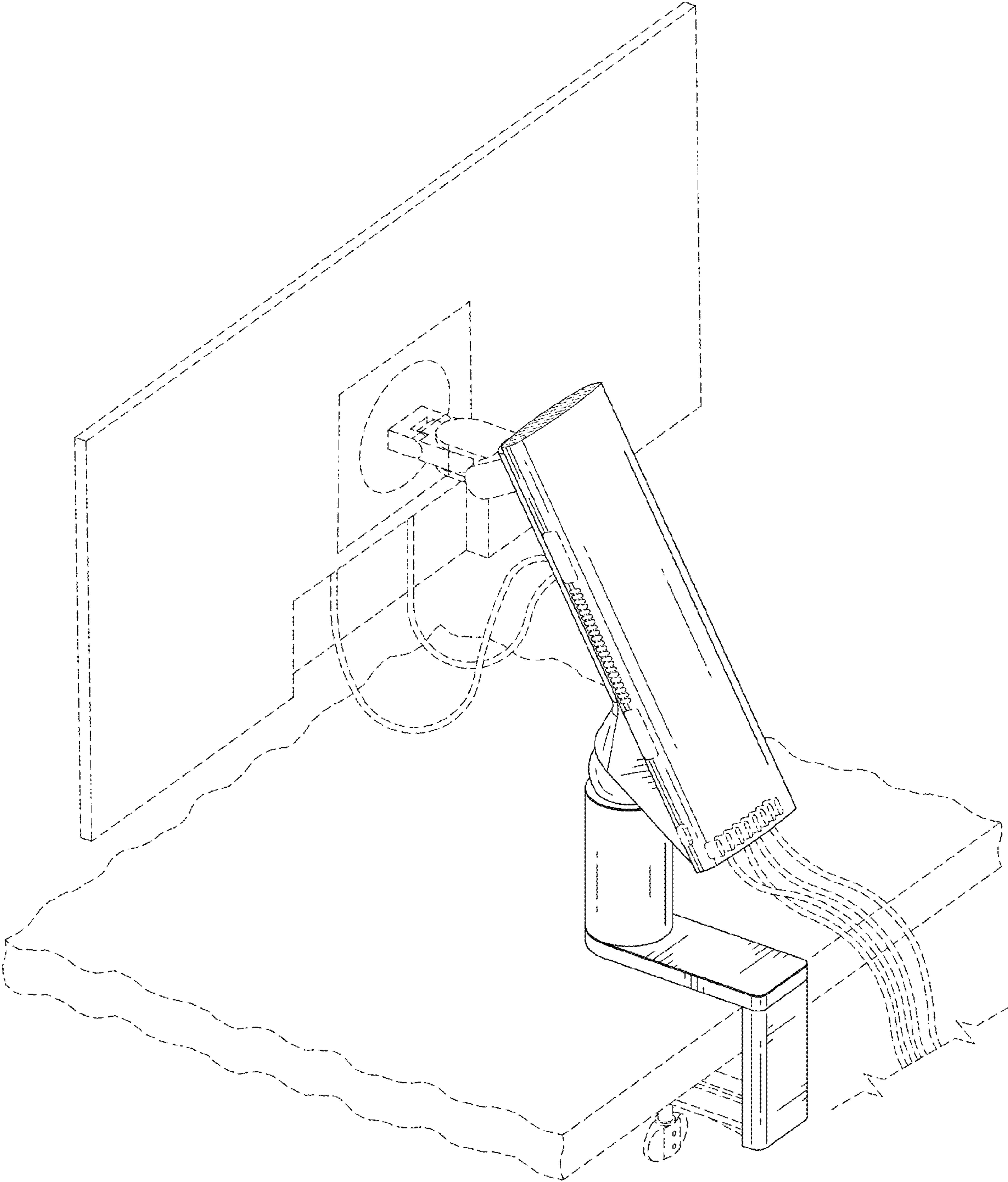


FIG. 9

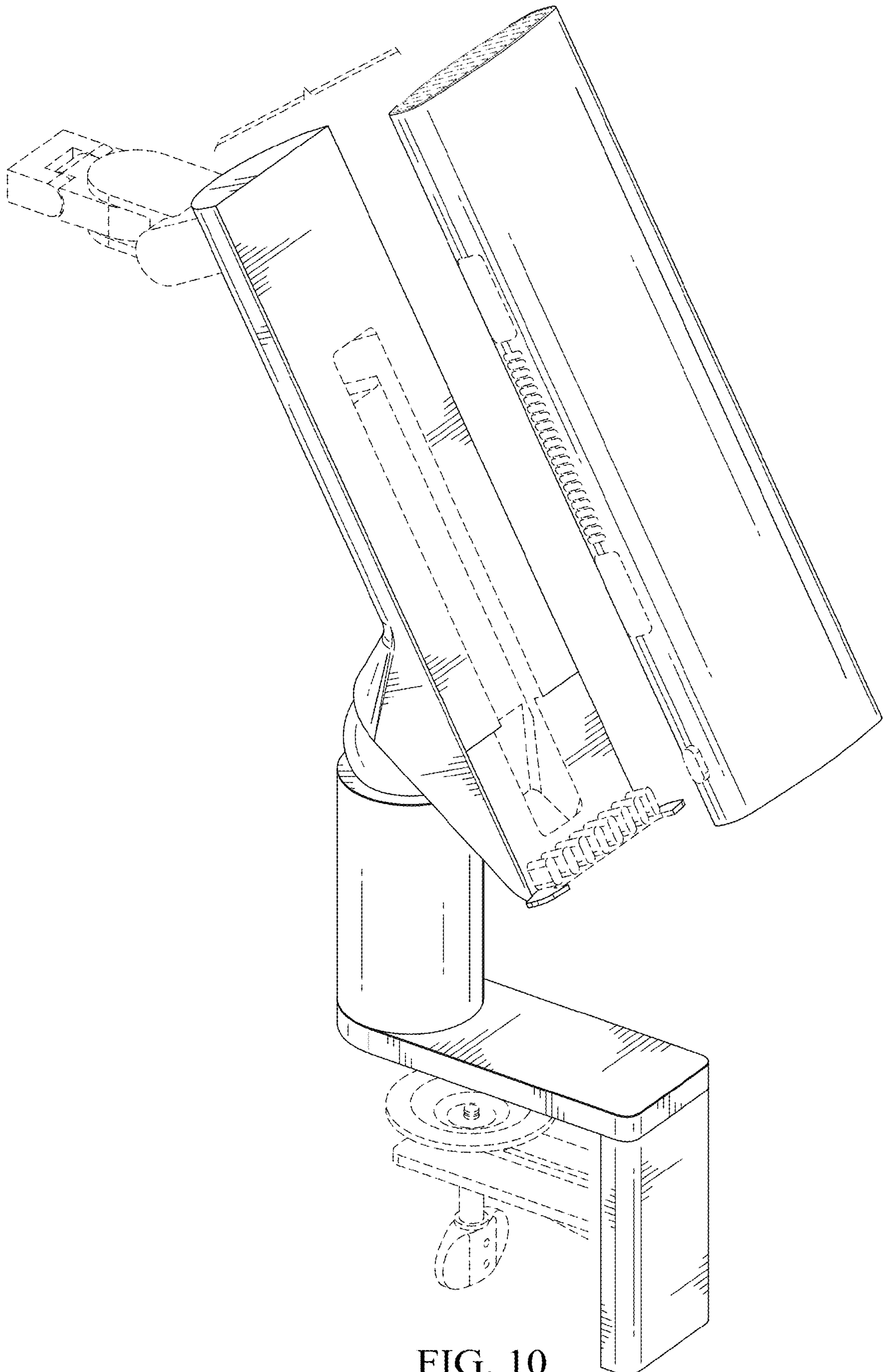


FIG. 10