



US00D980229S

(12) **United States Design Patent**
You

(10) **Patent No.:** **US D980,229 S**

(45) **Date of Patent:** **** Mar. 7, 2023**

(54) **DISPLAY STAND**

A47B 88/044; A47B 2021/0335; H02G
3/126; F16B 47/00; F16B 47/006; A47G
1/17; A47K 2201/00

(71) Applicant: **Ningbo Ergovida Health Technology Ltd., Ningbo (CN)**

See application file for complete search history.

(72) Inventor: **Xiaodong You, Ningbo (CN)**

(56) **References Cited**

(73) Assignee: **NINGBO ERGOVIDA HEALTH TECHNOLOGY LTD., Ningbo (CN)**

U.S. PATENT DOCUMENTS

(**) Term: **15 Years**

D474,047 S * 5/2003 Lara D6/675.1
D537,656 S * 3/2007 Stenhouse D6/678.2
D539,566 S * 4/2007 Anderson D6/676.1

(21) Appl. No.: **29/728,726**

(Continued)

(22) Filed: **Mar. 20, 2020**

Primary Examiner — Katie Jane Stoffko

(30) **Foreign Application Priority Data**

(74) *Attorney, Agent, or Firm* — Knobbe Martens Olson & Bear LLP

Oct. 31, 2019 (CN) 201930596943.9

(51) **LOC (14) Cl.** **02-02**

(52) **U.S. Cl.**

USPC **D14/451**

(58) **Field of Classification Search**

USPC D14/371–382, 125–129, 336, 337,
D14/447–452, 492, 335, 376–382, 239,
D14/457, 439–441, 432, 251–253;
D8/349, 354, 363, 373, 376, 380;
D21/333; D12/415; D3/218; 348/180,
348/184, 325, 739, 825

CPC G06F 3/0412; G06F 3/016; G06F 3/0488;
G06F 3/011; G06F 3/038; G06F 3/03543;
G06F 3/0338; G06F 3/0202; G06F
3/0219; G06F 3/0213; G06F 1/1616;
G06F 3/023; G06F 3/04883; G02F
1/13338; G02F 1/1313; G02F 1/1333;
G02F 1/135; G02F 1/132; G02F
1/133308; G02F 1/134309; G02F
1/13718; G09G 3/3648; G06K 15/1252;
B41J 2/465; G03F 7/70291; G02B
27/0172; G02B 5/30; G02B 2027/0118;
G02B 27/0101; F16M 13/02; F16M
13/00; F16M 11/10; F16M 11/04; F16M
2200/08; F16M 11/2021; A47B 21/0314;

(57) **CLAIM**

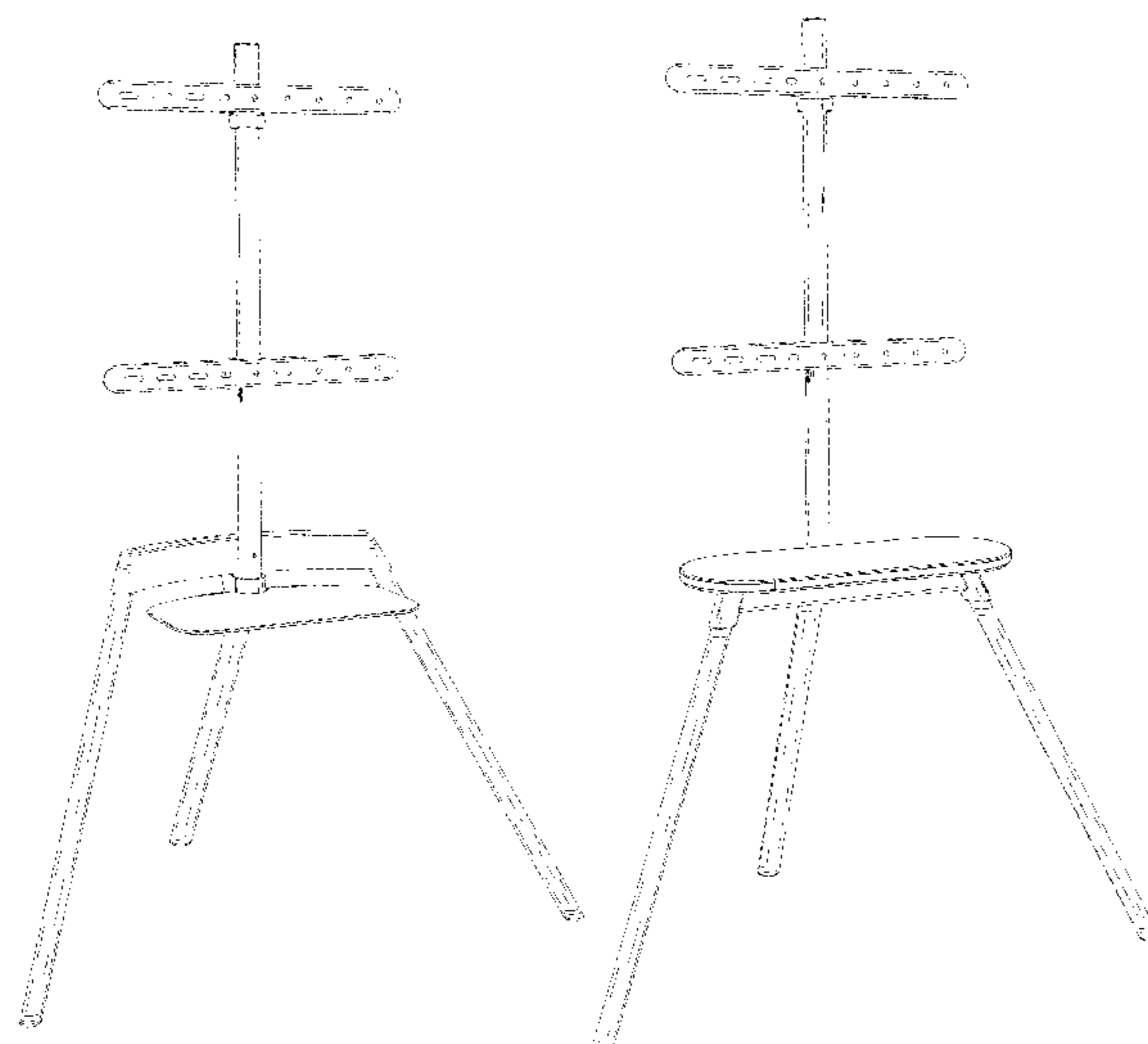
The ornamental design for a display stand, as shown and described.

DESCRIPTION

FIG. 1 is a perspective view of a first embodiment of the display stand embodying the new design;
FIG. 2 is a front view thereof;
FIG. 3 is a right side view thereof;
FIG. 4 is a left side view thereof;
FIG. 5 is a back view thereof;
FIG. 6 is a top view thereof;
FIG. 7 is a bottom view thereof;
FIG. 8 is a perspective view of a second embodiment of the display stand embodying the new design;
FIG. 9 is a front view thereof;
FIG. 10 is a back view thereof;
FIG. 11 is a left side view thereof;
FIG. 12 is a right side view thereof;
FIG. 13 is a top view thereof; and,
FIG. 14 is a bottom view thereof.

The broken lines shown in the drawings illustrate portions of the display stand that form no part of the claimed design.

1 Claim, 14 Drawing Sheets



(56)

References Cited

U.S. PATENT DOCUMENTS

D545,081	S	*	6/2007	Lara	D6/677
D576,427	S	*	9/2008	Stebbens	D6/675.1
D593,776	S	*	6/2009	Sexton	D6/678.2
D737,386	S	*	8/2015	Ho	D21/691
D772,618	S	*	11/2016	Bonuccelli	D6/675.3
D820,818	S	*	6/2018	Heckler	D14/239
D914,655	S	*	3/2021	Pei	D14/239
D916,689	S	*	4/2021	Lyu	D14/239
D920,987	S	*	6/2021	Lyu	D14/451
D949,871	S	*	4/2022	You	D14/451

* cited by examiner

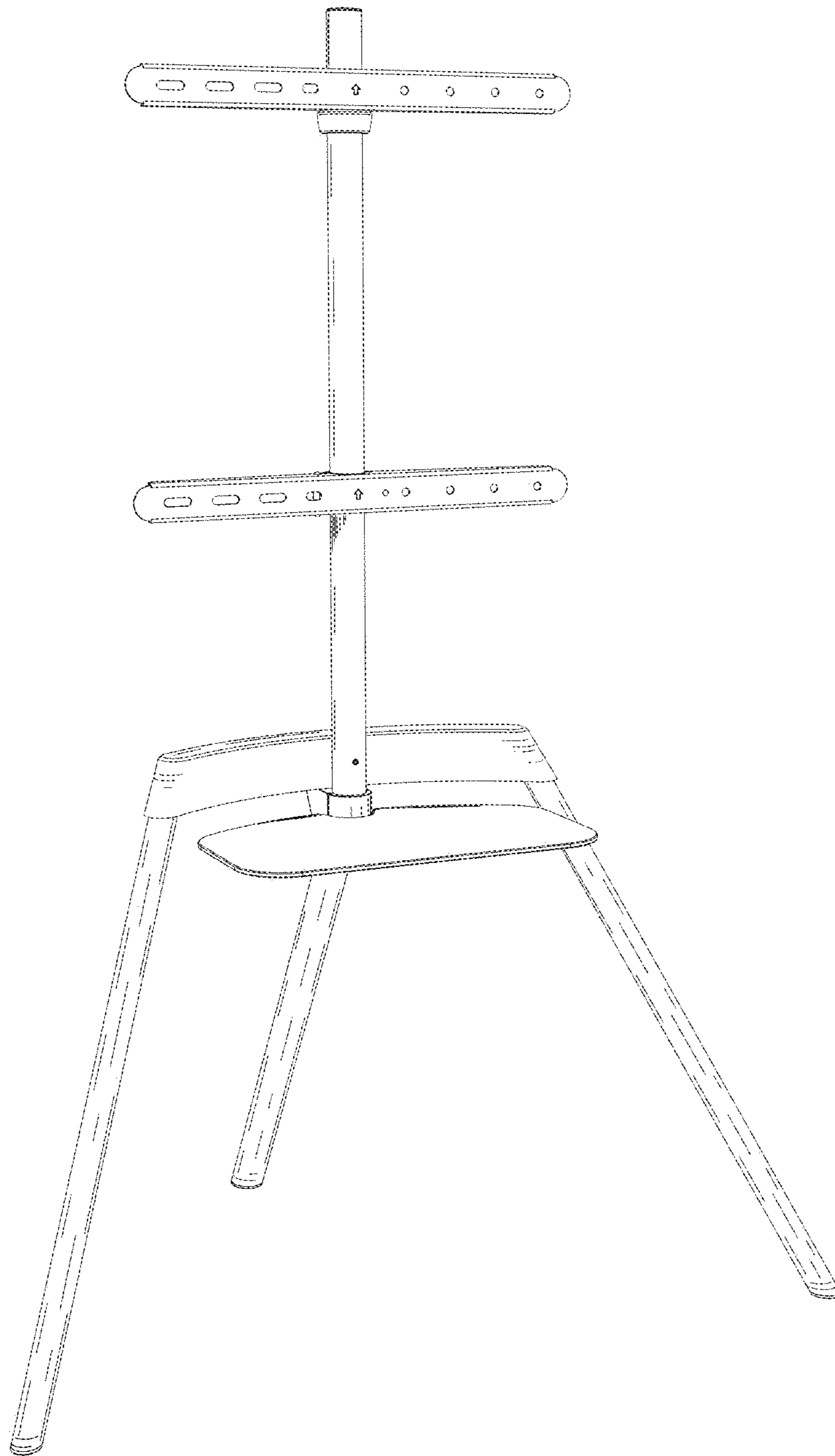


Fig. 1

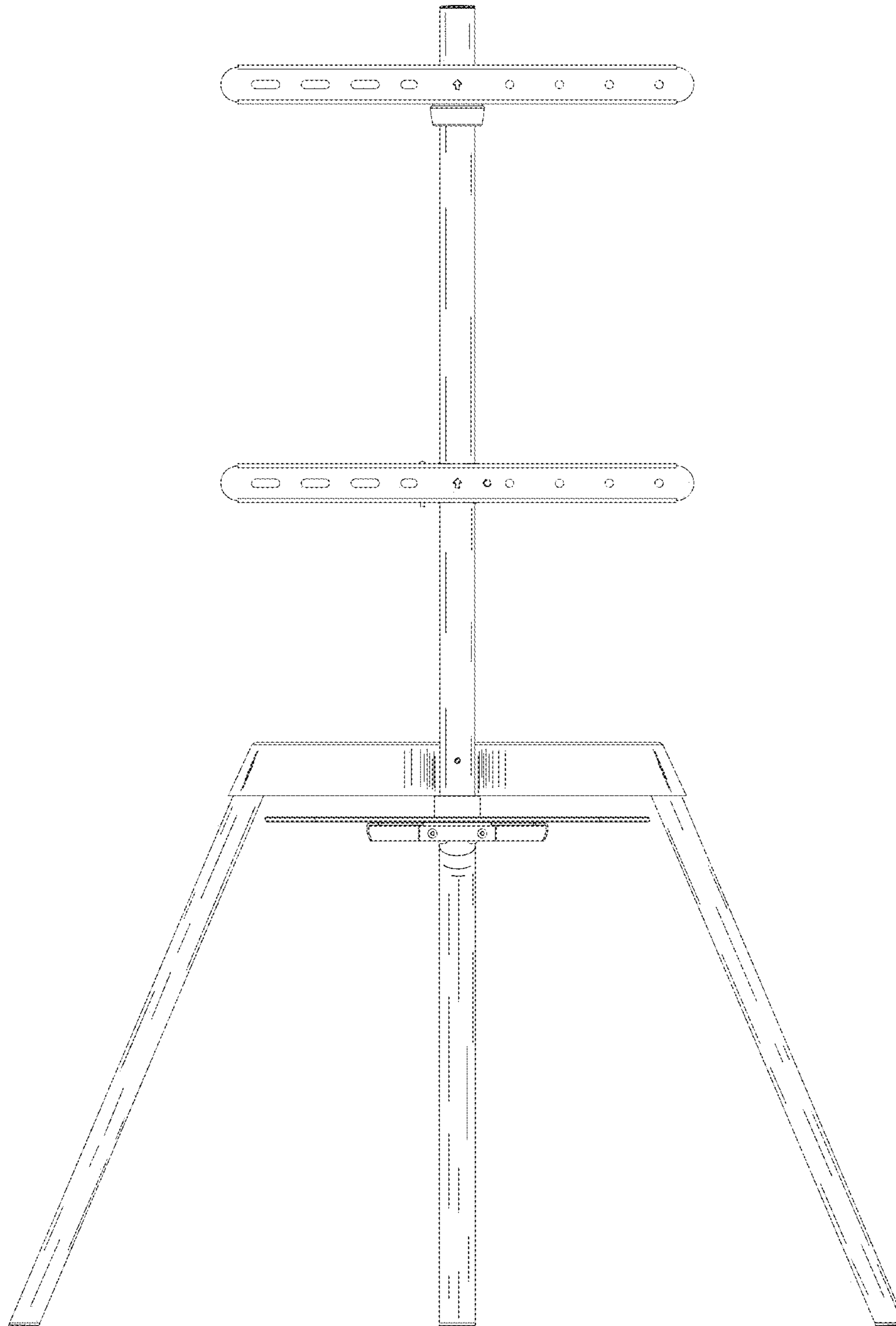


Fig.2

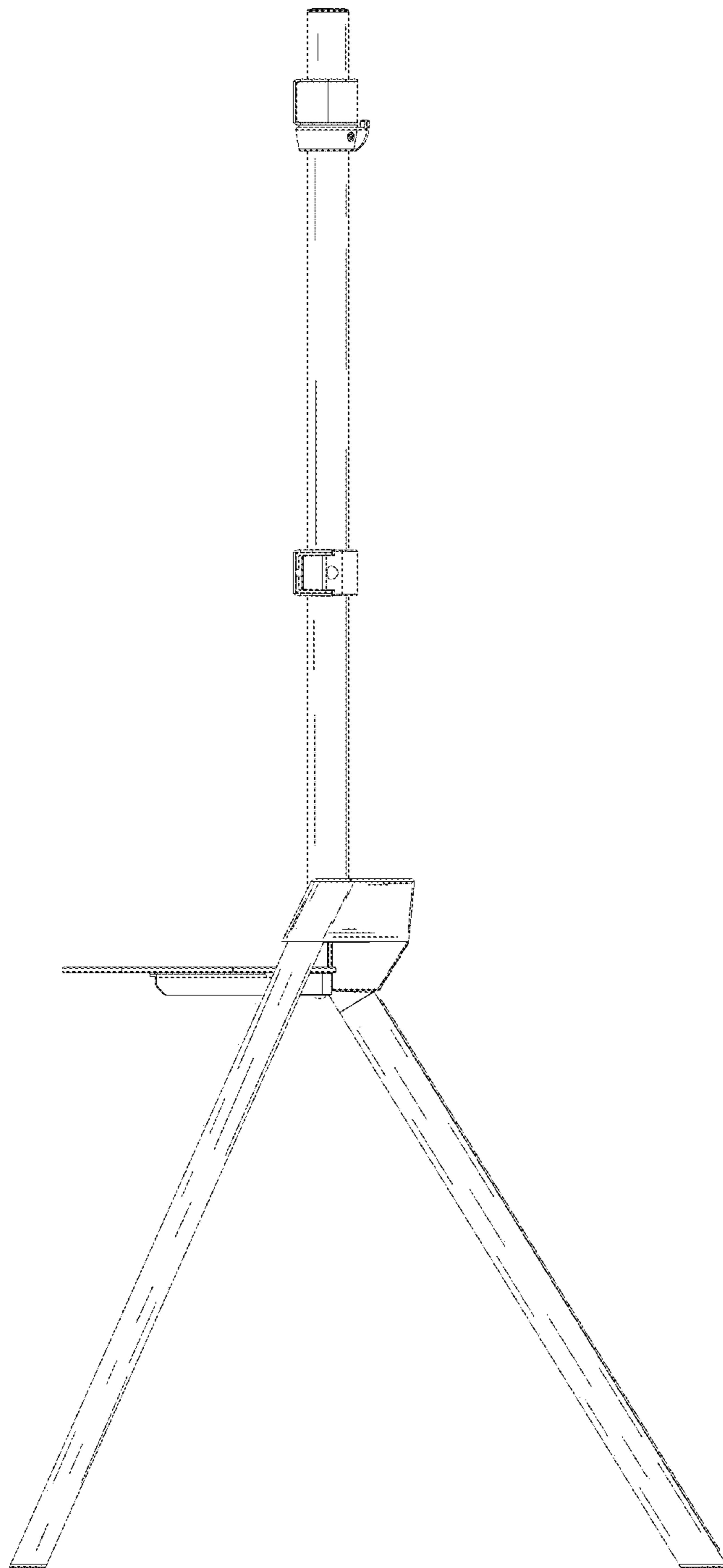


Fig.3

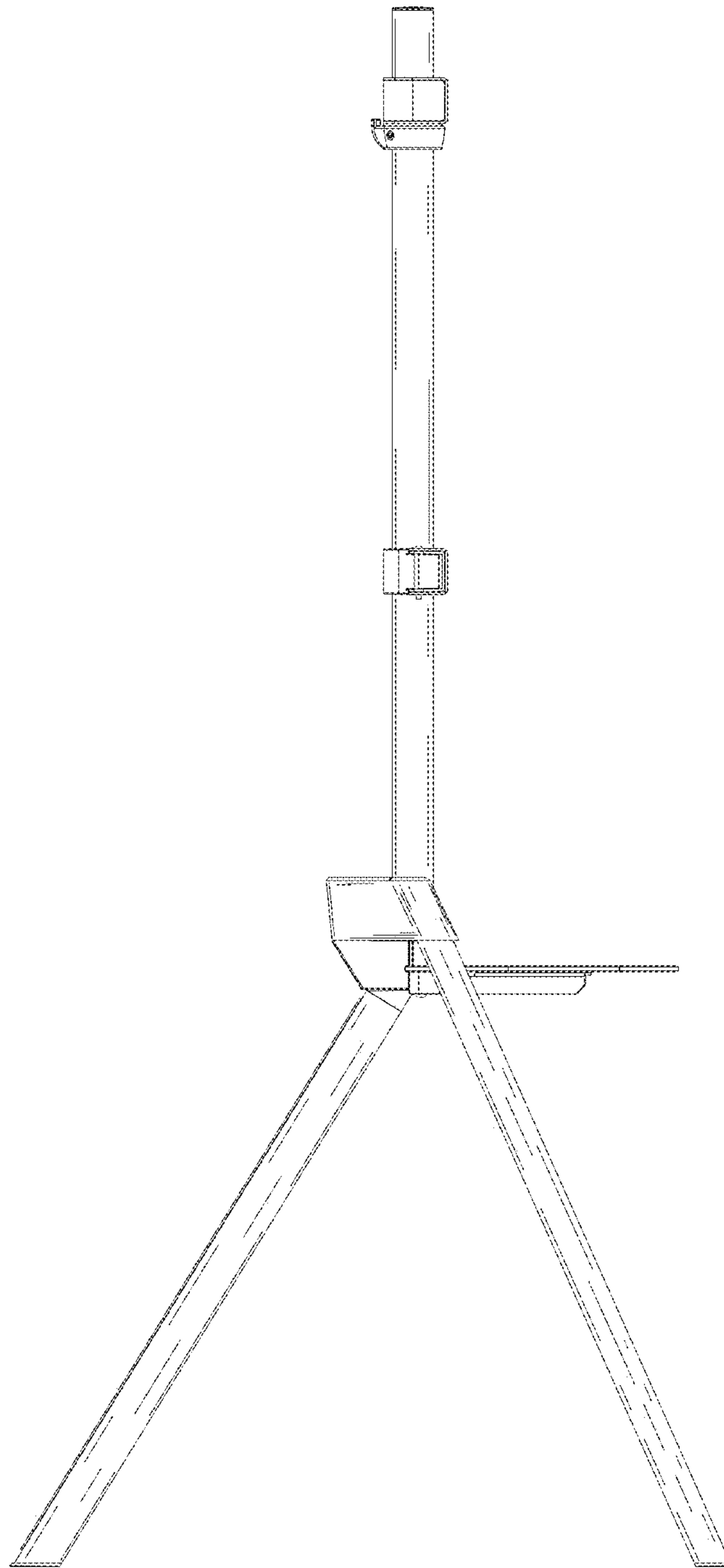


Fig.4

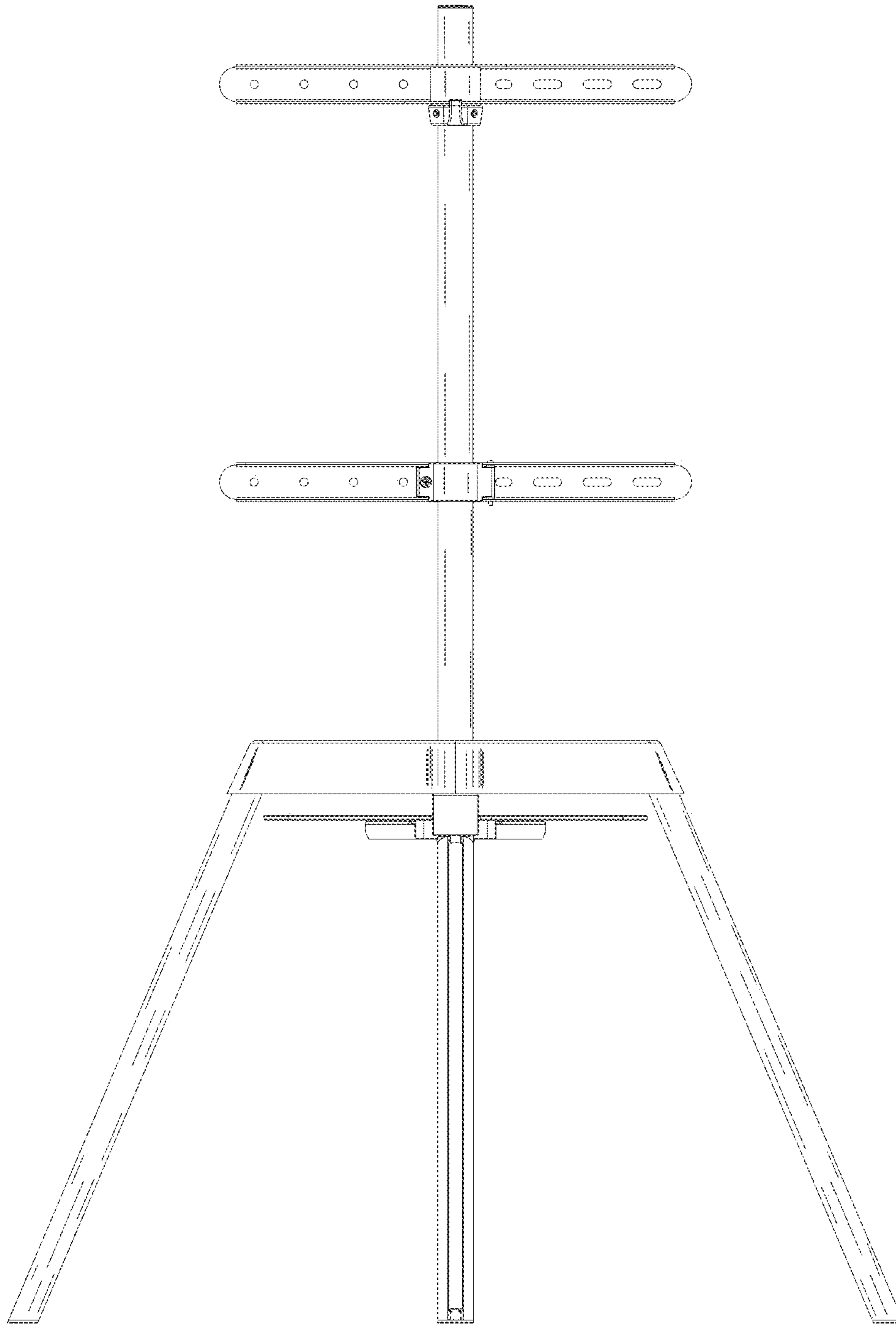


Fig.5

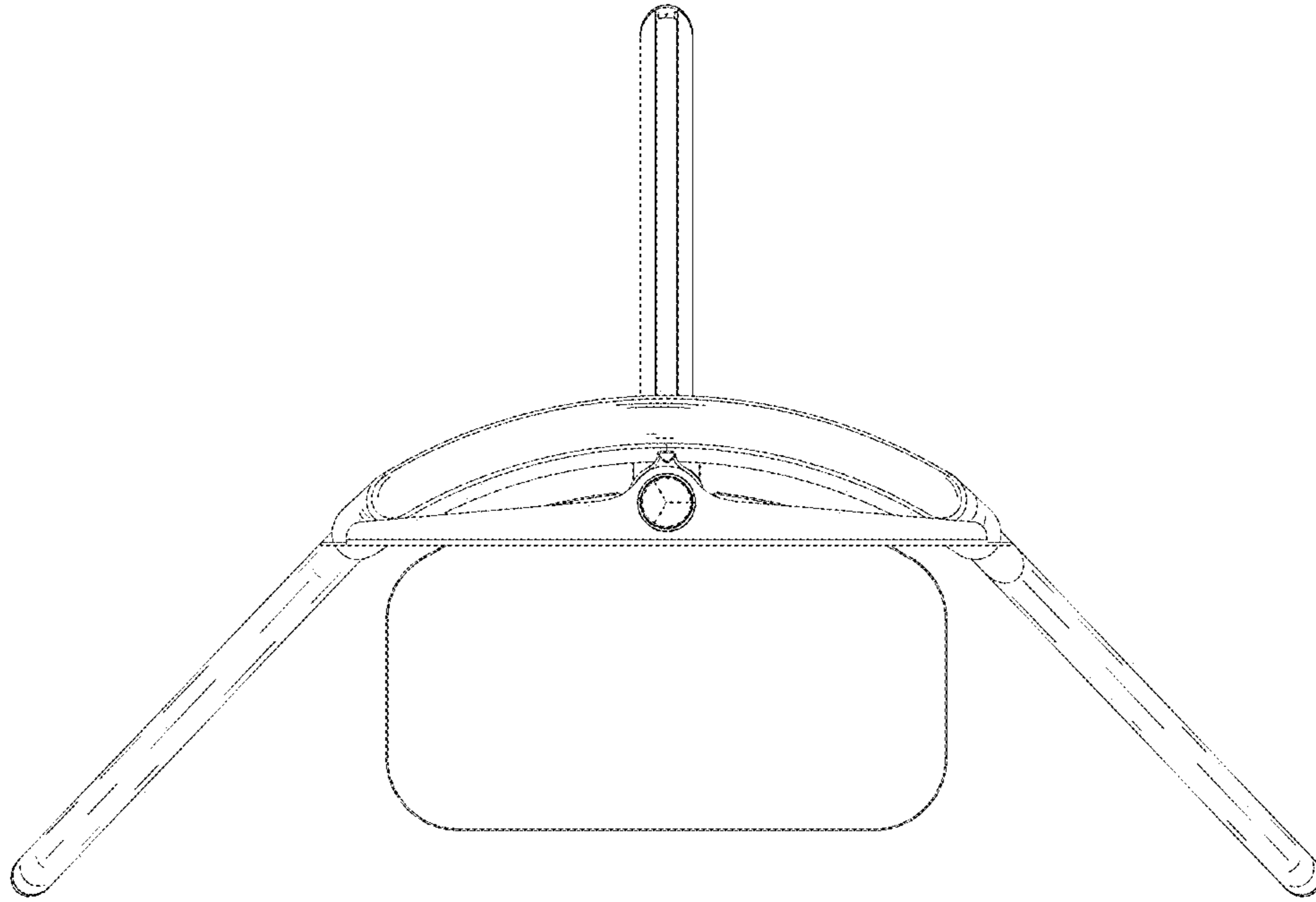


Fig.6

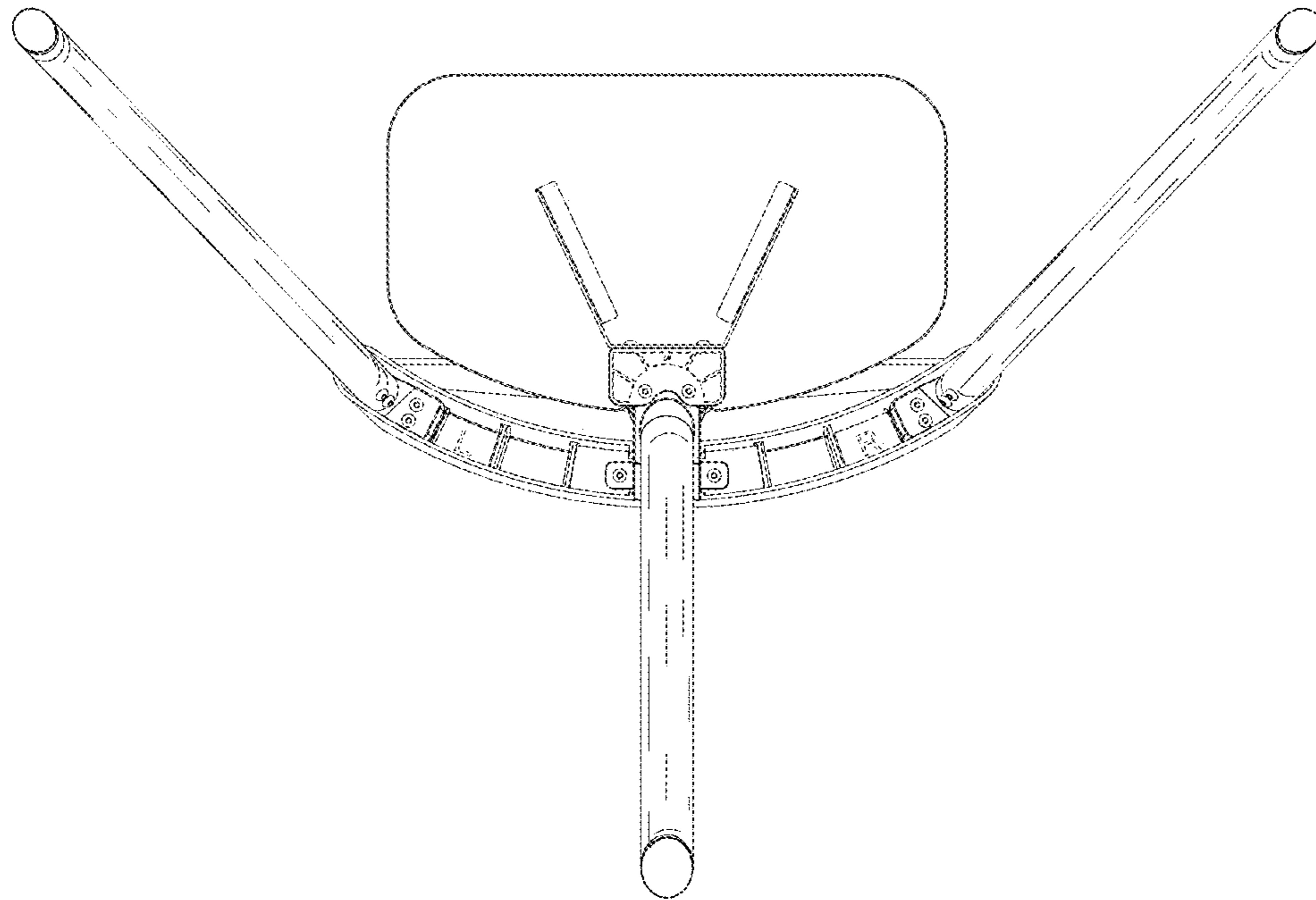


Fig.7

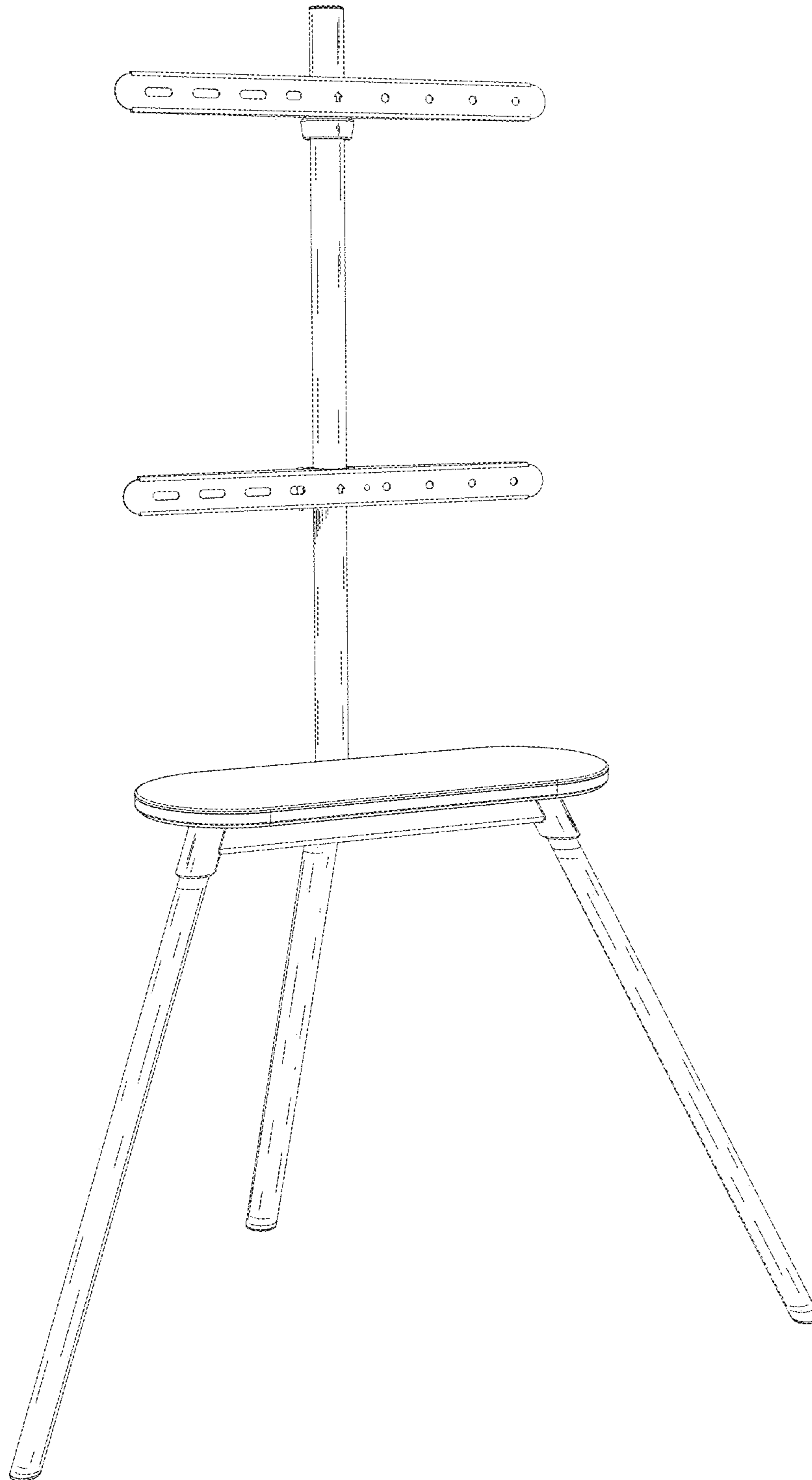


Fig.8

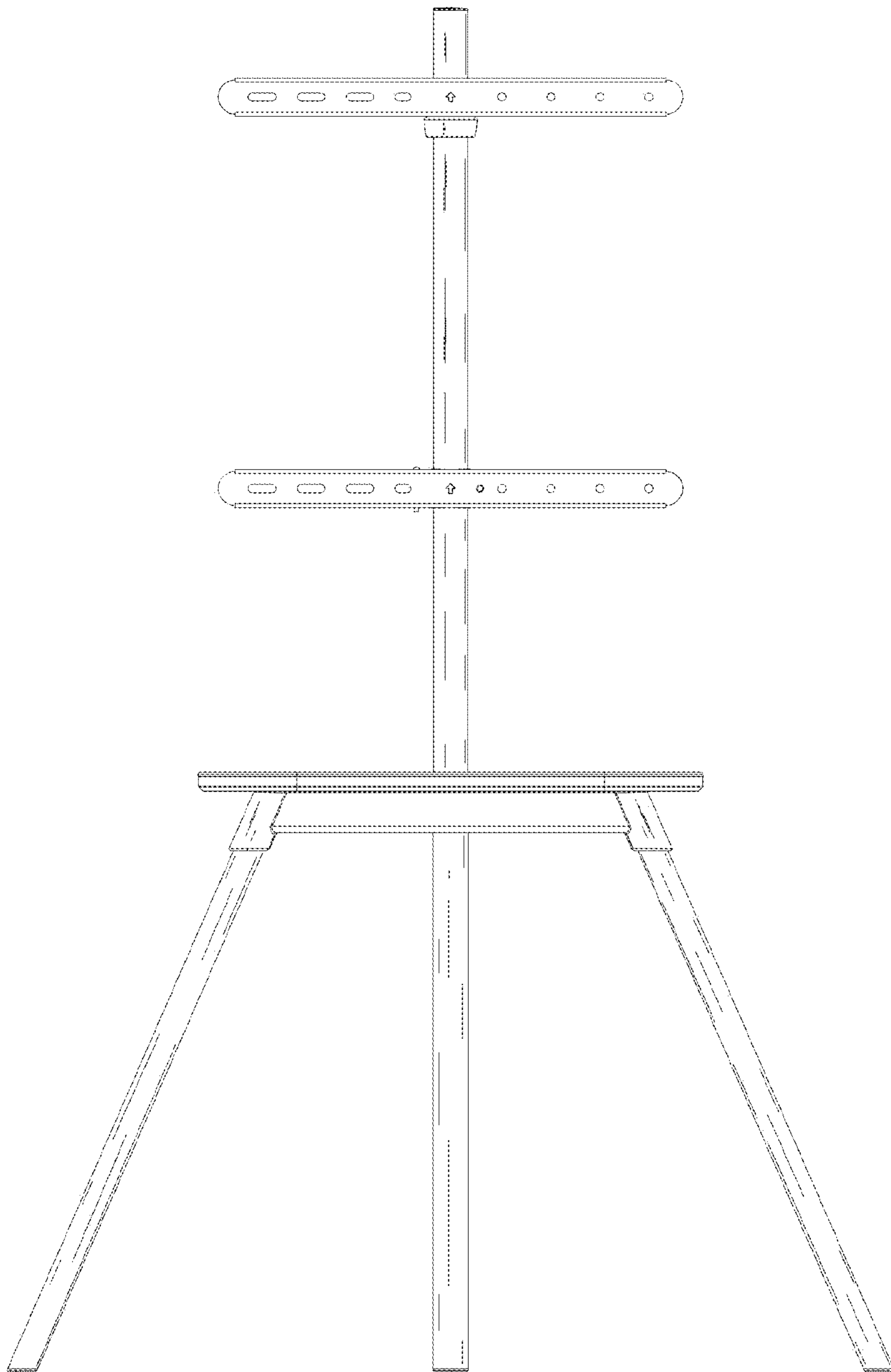


Fig.9

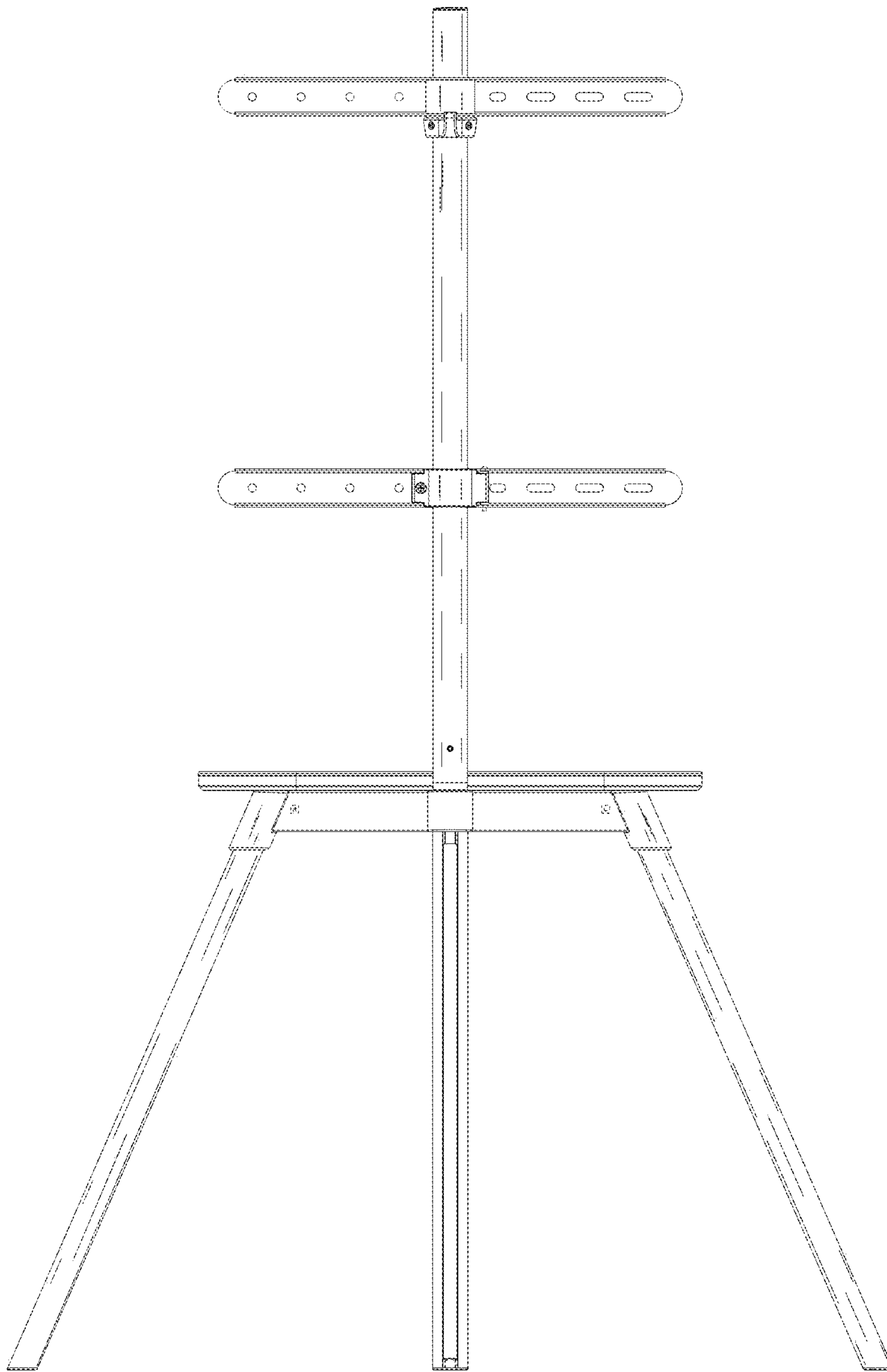


Fig.10

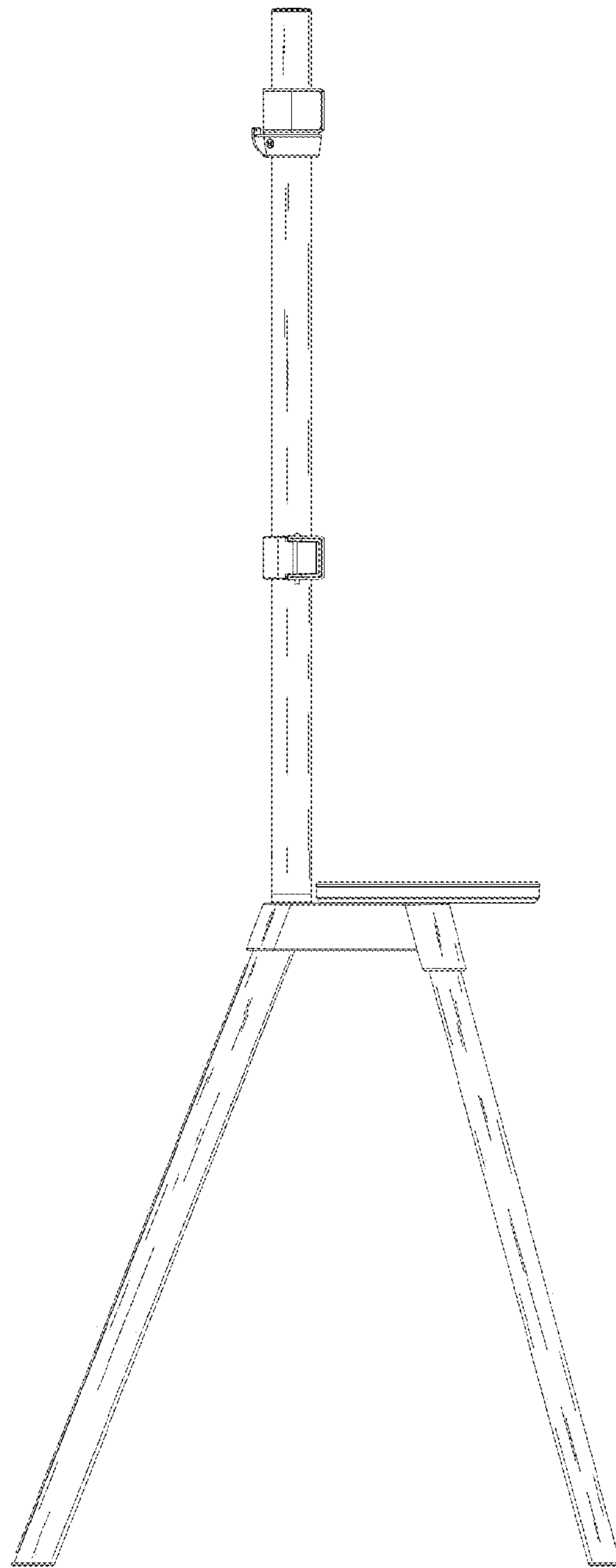


Fig.11

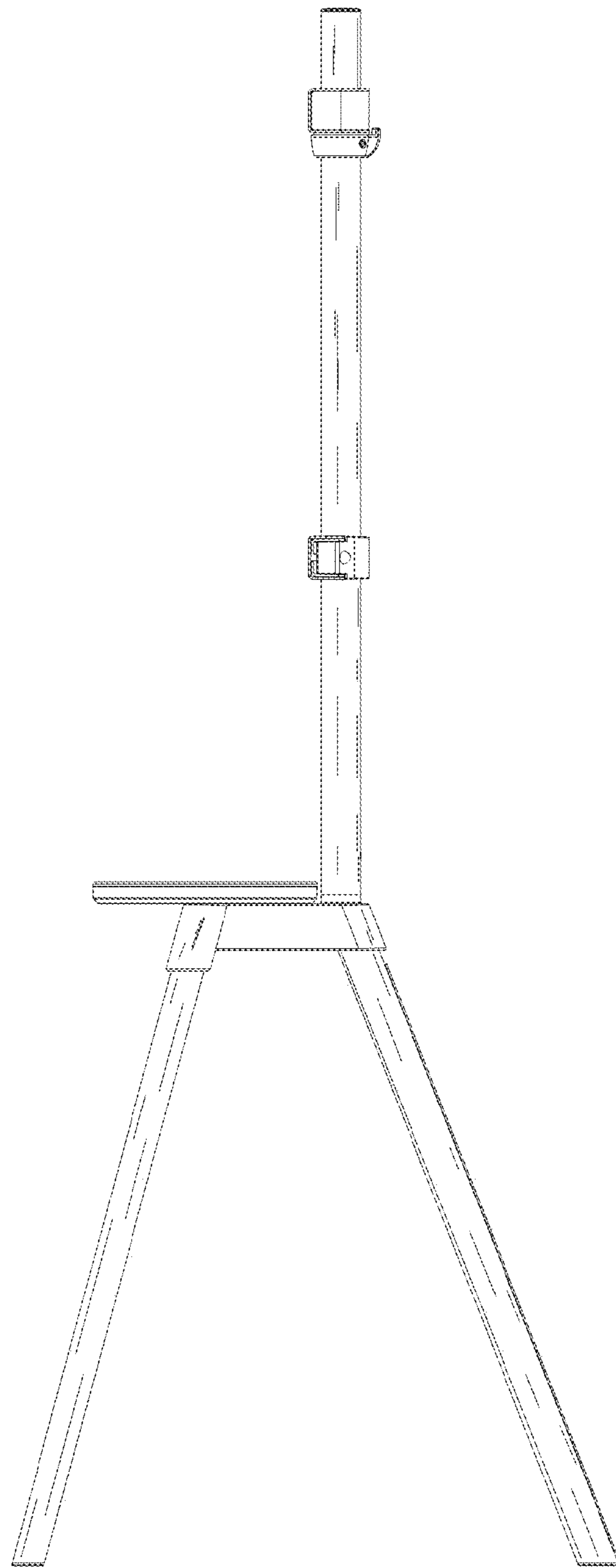


Fig.12

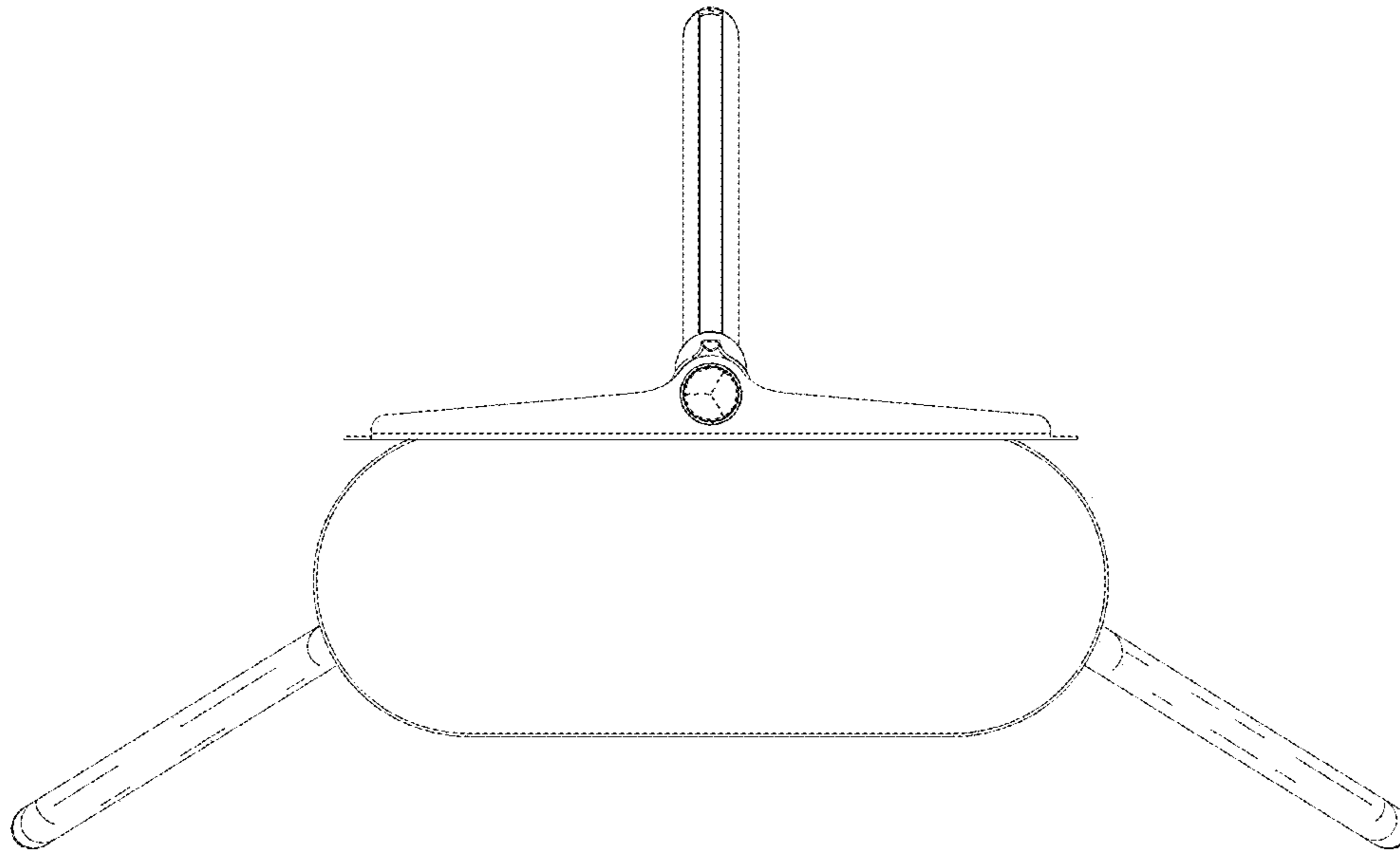


Fig.13

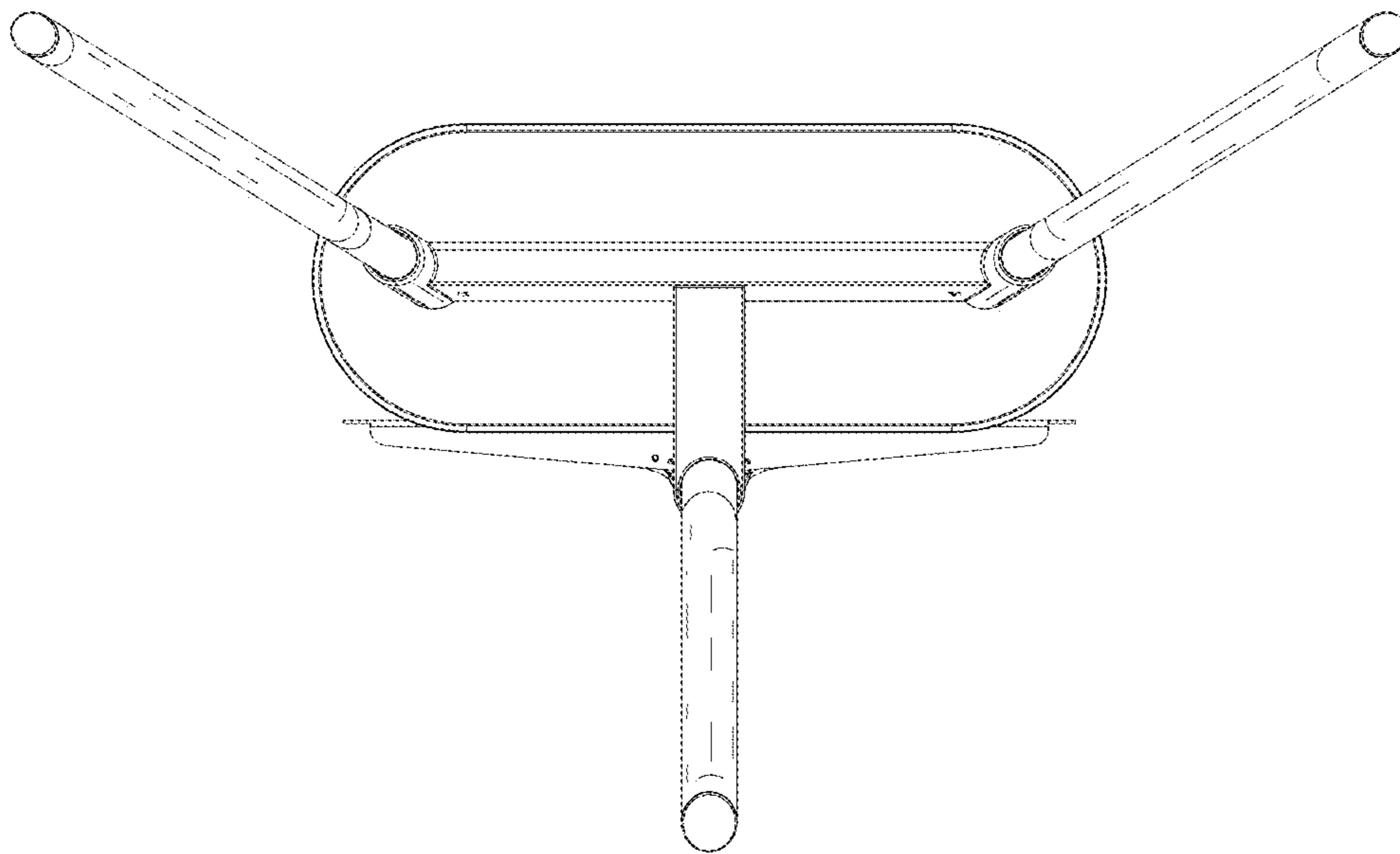


Fig.14