



US00D980228S

(12) **United States Design Patent**
Shortt

(10) **Patent No.:** **US D980,228 S**
(45) **Date of Patent:** **** Mar. 7, 2023**

- (54) **ELECTRONIC DEVICE CLIP**
- (71) Applicant: **JS Design Concepts Limited,**
Termonfeckin Louth (IE)
- (72) Inventor: **Joe Shortt,** Termonfeckin Louth (IE)
- (73) Assignee: **JS DESIGN CONCEPTS LIMITED,**
Termonfeckin Louth (IE)
- (**) Term: **15 Years**
- (21) Appl. No.: **29/836,916**
- (22) Filed: **Apr. 29, 2022**

D663,735 S *	7/2012	Musselman	D14/447
D666,995 S *	9/2012	TerMeer	D14/447
D685,378 S *	7/2013	Deng	D14/447
D692,435 S *	10/2013	Bremenkamp	D14/447
D692,899 S *	11/2013	Bremenkamp	D14/447
D697,920 S *	1/2014	Fujioka	D14/447
D721,712 S *	1/2015	Byrne	D14/447
D751,431 S *	3/2016	Browning	D10/74
D795,240 S *	8/2017	Kaufman	D14/447
D861,002 S *	9/2019	Bergeron-Mirsky	D6/675.3
D879,753 S *	3/2020	Boggs	D14/230
D915,413 S *	4/2021	Lou	D14/447
D956,767 S *	7/2022	Shortt	D14/447

* cited by examiner

Primary Examiner — Angela J Lee
(74) *Attorney, Agent, or Firm* — Shumaker, Loop & Kendrick, LLP; Jeffrey B. Fabian

Related U.S. Application Data

- (62) Division of application No. 29/750,205, filed on Sep. 11, 2020, now Pat. No. Des. 956,767.
- (51) **LOC (14) Cl.** **14-03**
- (52) **U.S. Cl.**
USPC **D14/447; D14/253**
- (58) **Field of Classification Search**
USPC D14/447, 432, 434, 439, 440, 451, 452, D14/457, 239, 253, 251; D8/363, 373, D8/380; D6/406.3, 406.4, 406.5, 406.6; D12/415; D19/91; D3/218
CPC A47B 21/04; A47B 2097/006; A47B 2097/005; A47B 2023/049; A45C 2011/002; A45C 2011/003; F16M 2200/00; F16M 13/00; A45F 2200/0516; A45F 2200/0525
See application file for complete search history.

(57) **CLAIM**

The ornamental design for an electronic device clip, as shown and described.

DESCRIPTION

FIG. 1 is a top, perspective view of the electronic device clip according to the new design.

FIG. 2 is a bottom, perspective view of the electronic device clip according to the new design.

FIG. 3 is a front view of the electronic device clip according to the new design.

FIG. 4 is a rear view of the electronic device clip according to the new design.

FIG. 5 is a right side view of the electronic device clip according to the new design.

FIG. 6 is a left side view of the electronic device clip according to the new design.

FIG. 7 is a bottom view of the electronic device clip according to the new design; and,

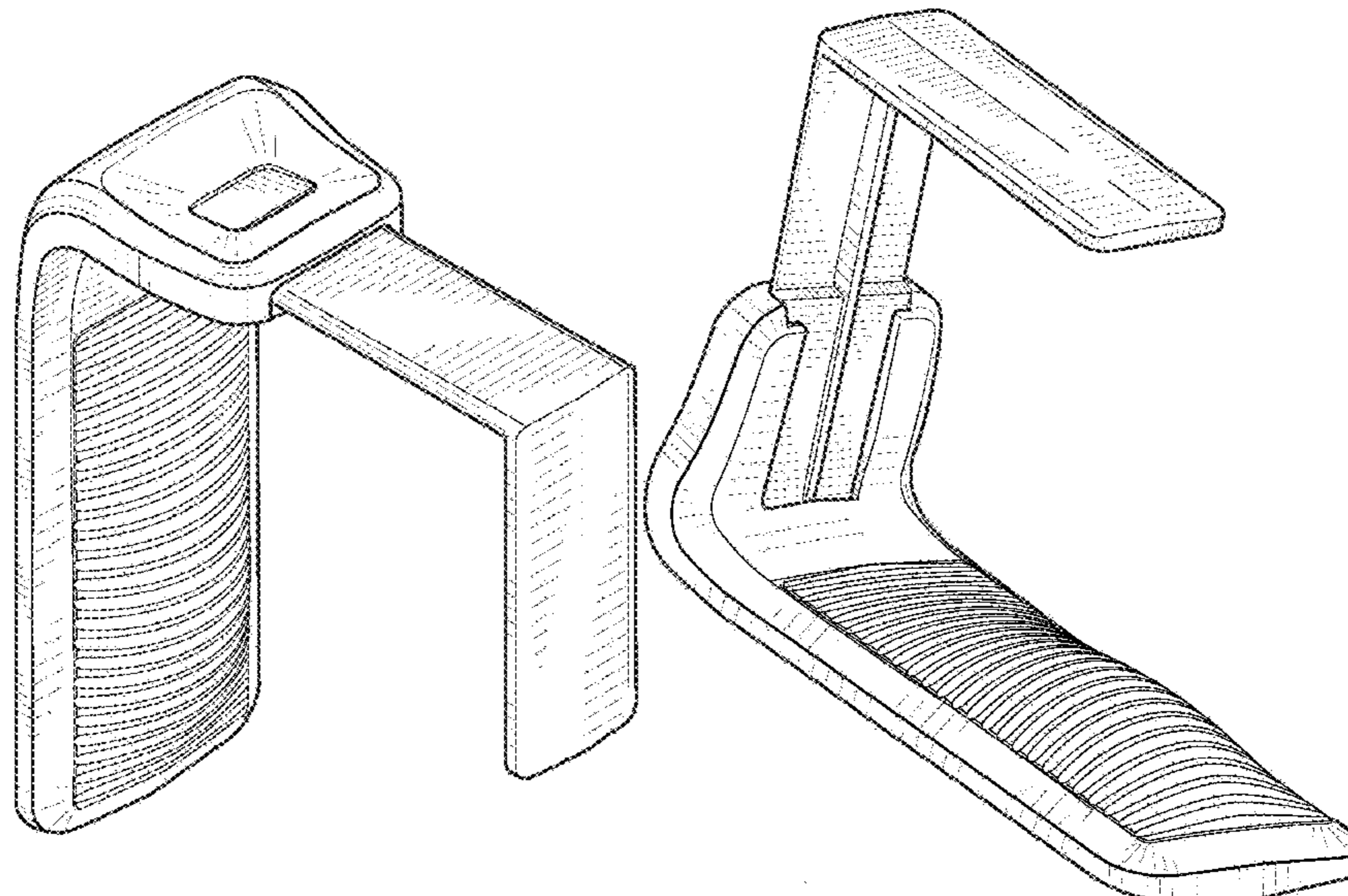
FIG. 8 is a top view of the electronic device clip according to the new design.

(56) **References Cited**

U.S. PATENT DOCUMENTS

D376,805 S *	12/1996	Johansson	D8/349
D582,918 S *	12/2008	Scott	D8/349
D592,669 S *	5/2009	Malisse	D14/451
D603,840 S *	11/2009	Lee	D14/239

1 Claim, 5 Drawing Sheets



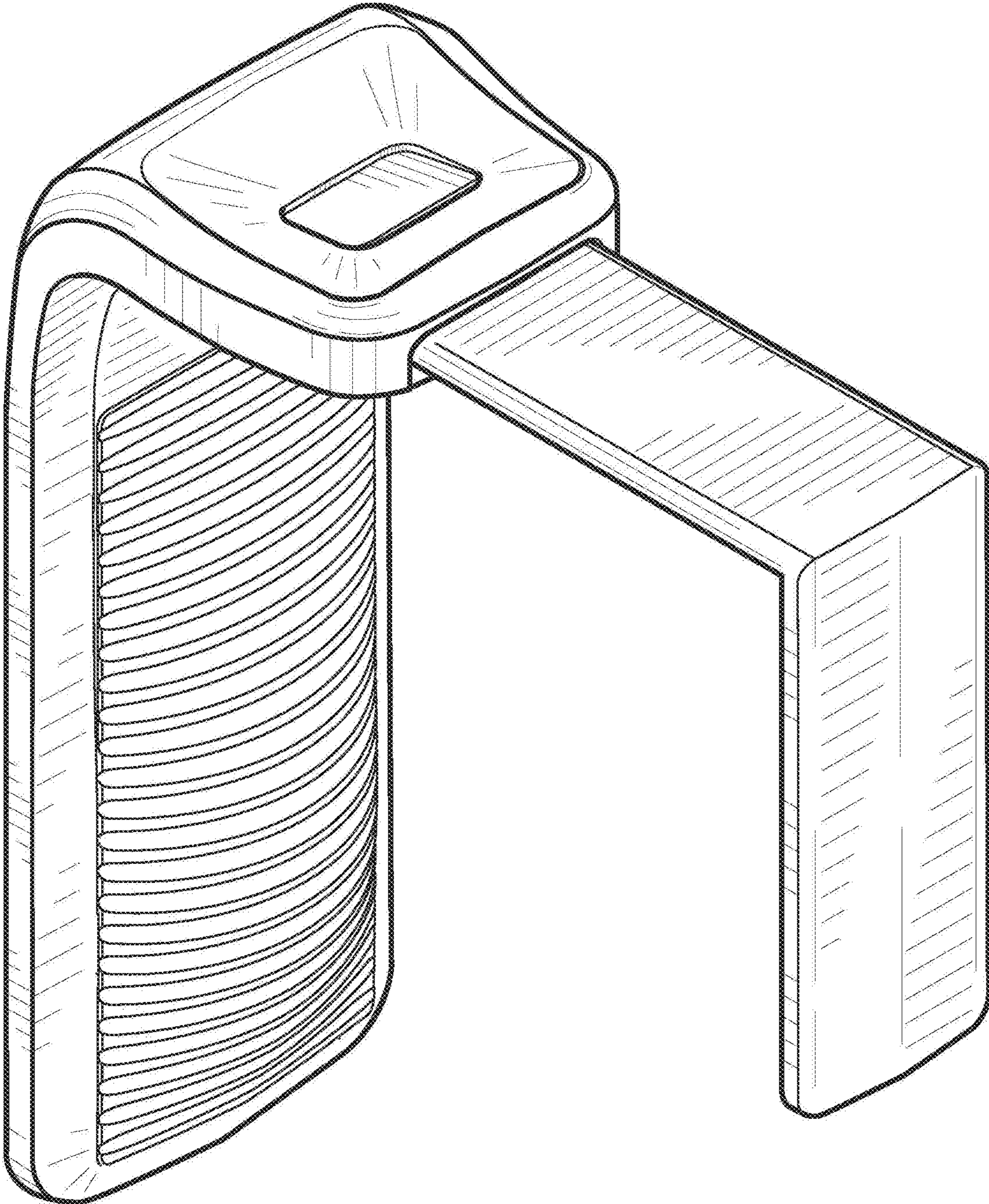


FIG. 1

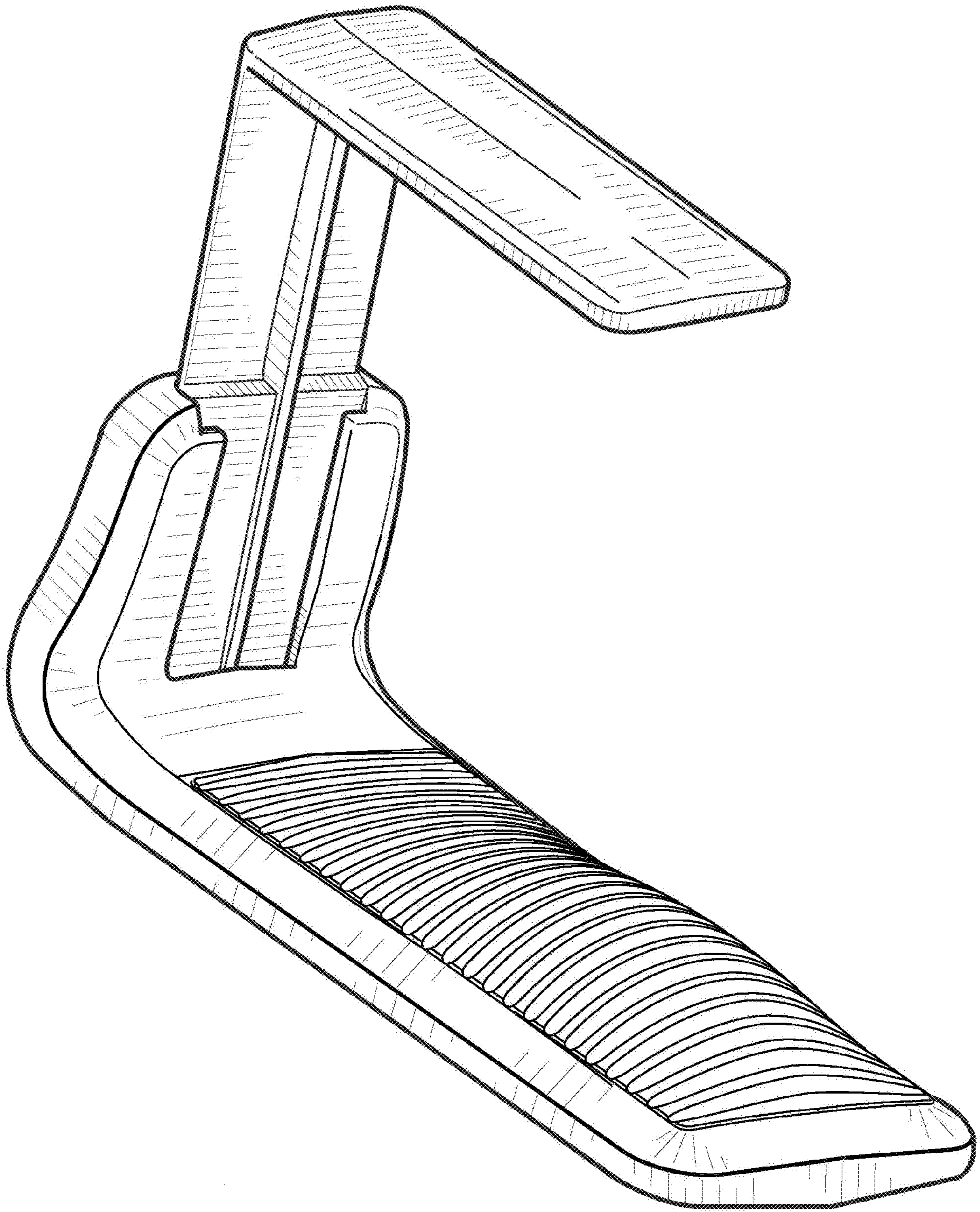


FIG. 2

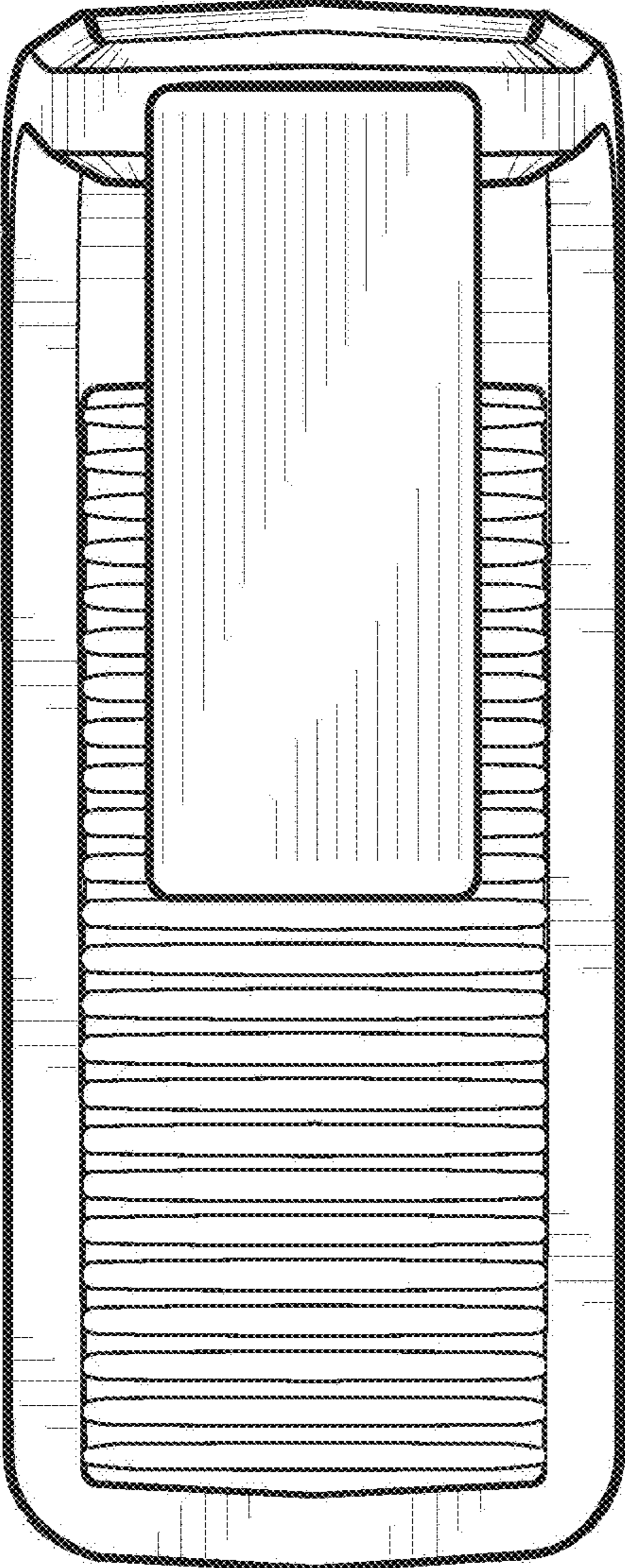


FIG. 3

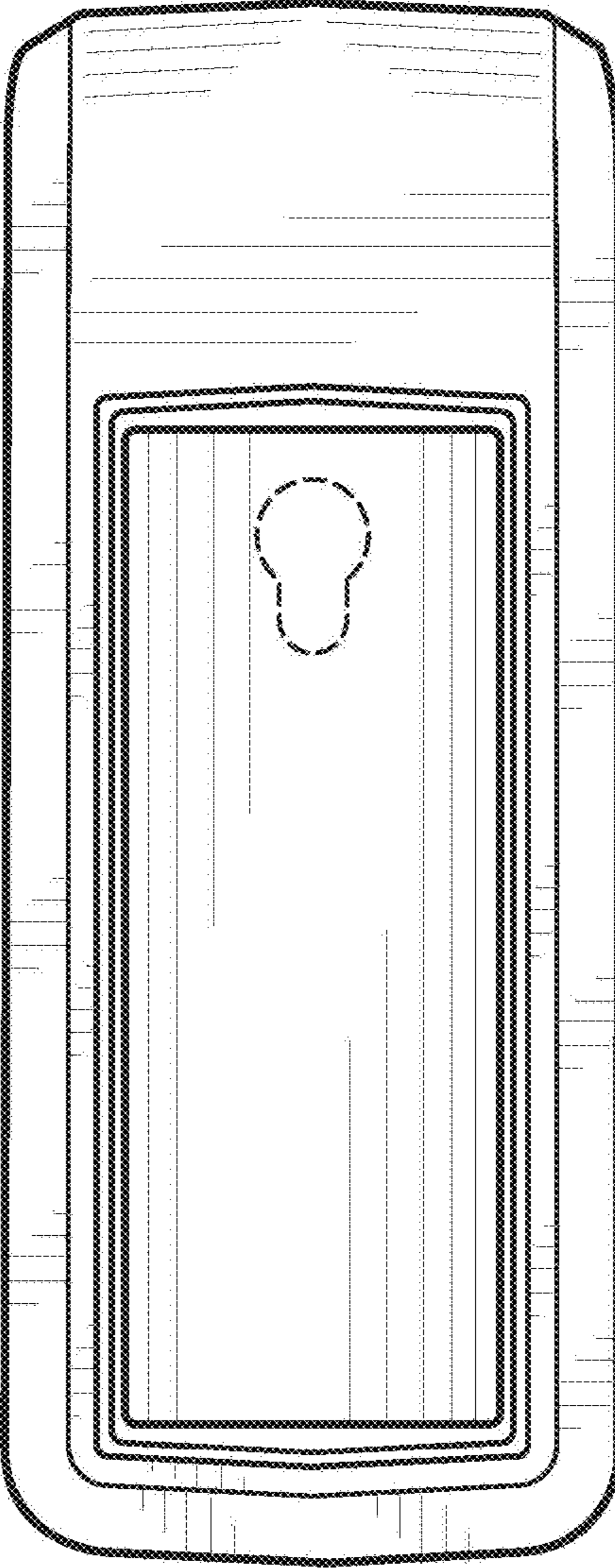


FIG. 4

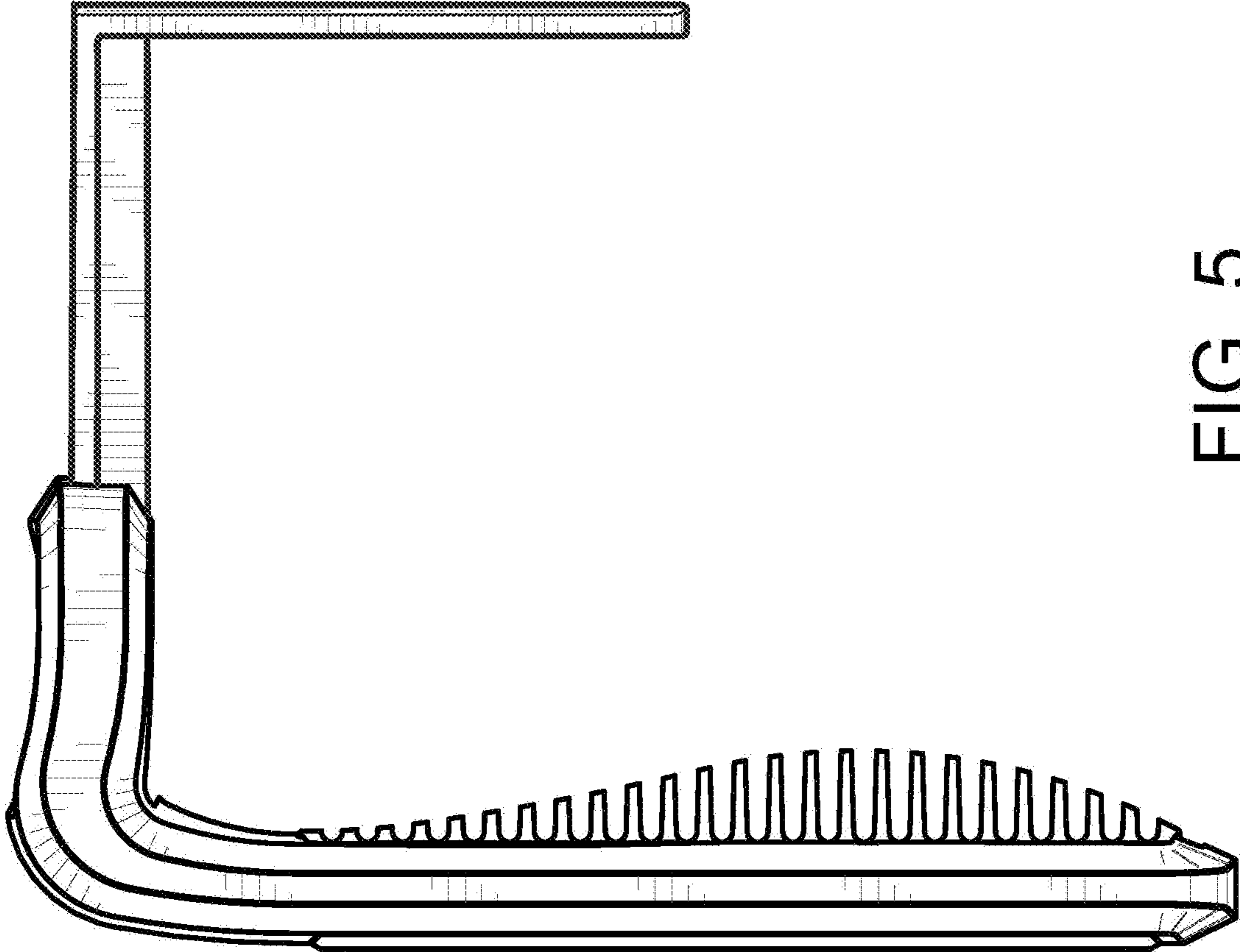


FIG. 5

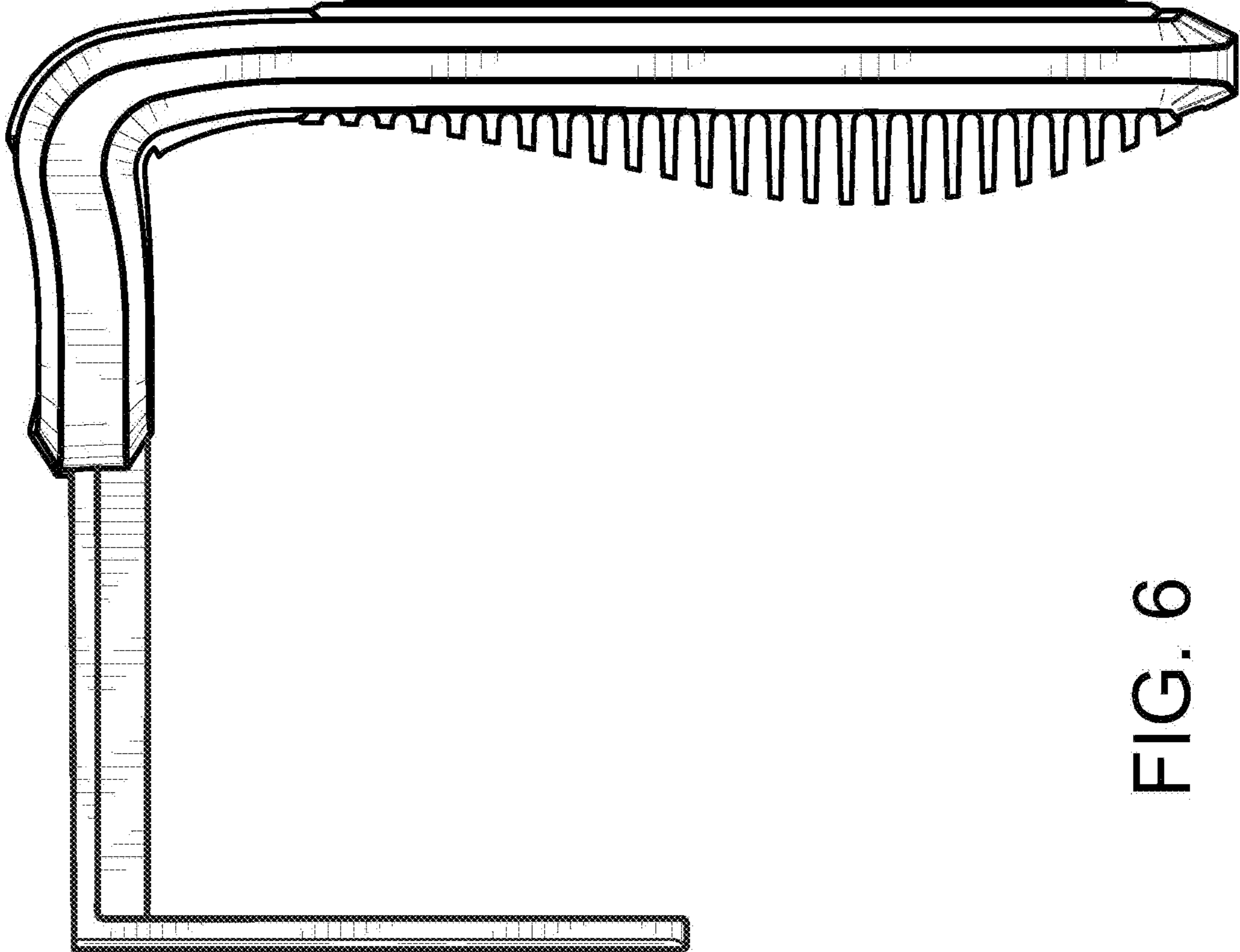


FIG. 6

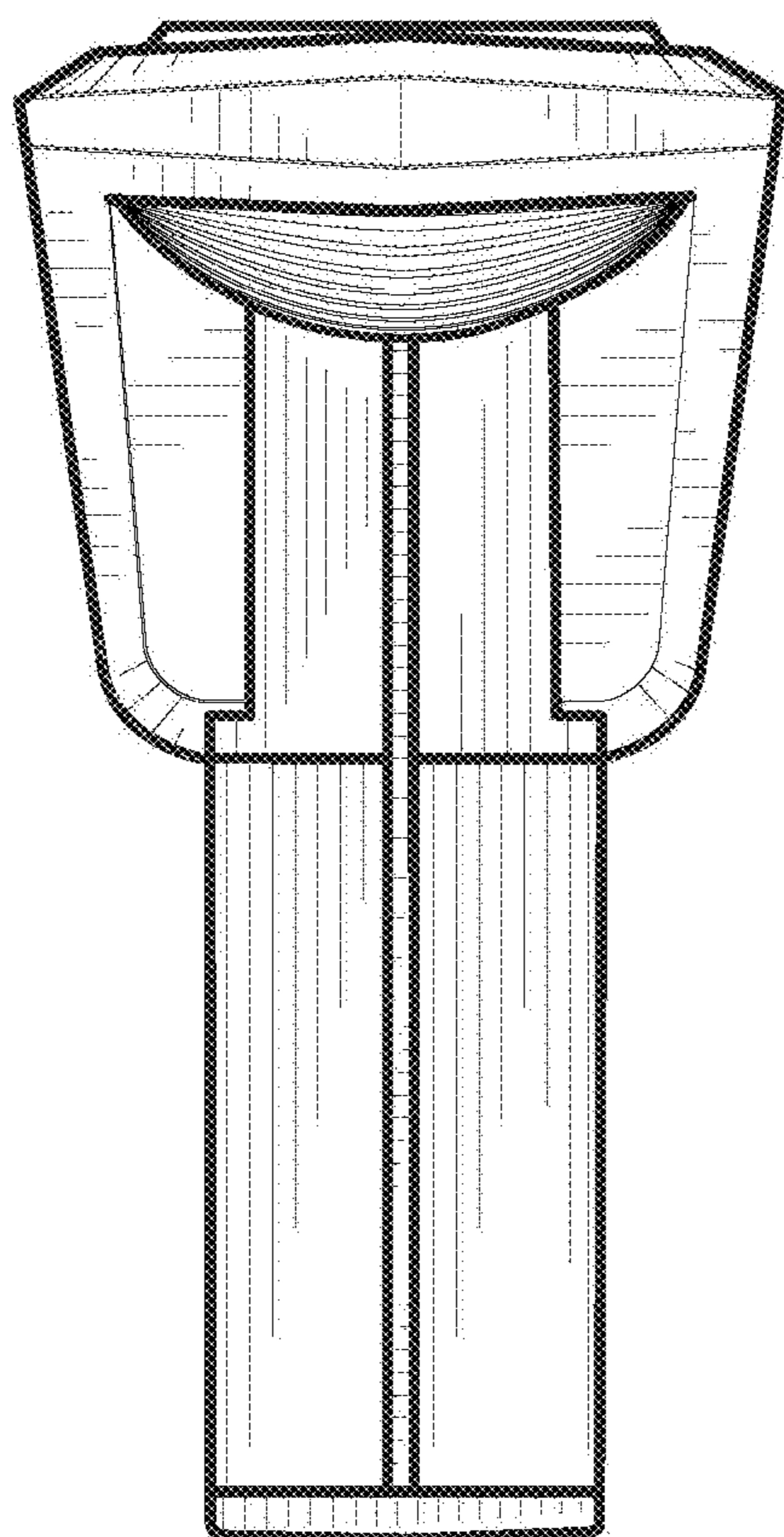


FIG. 7

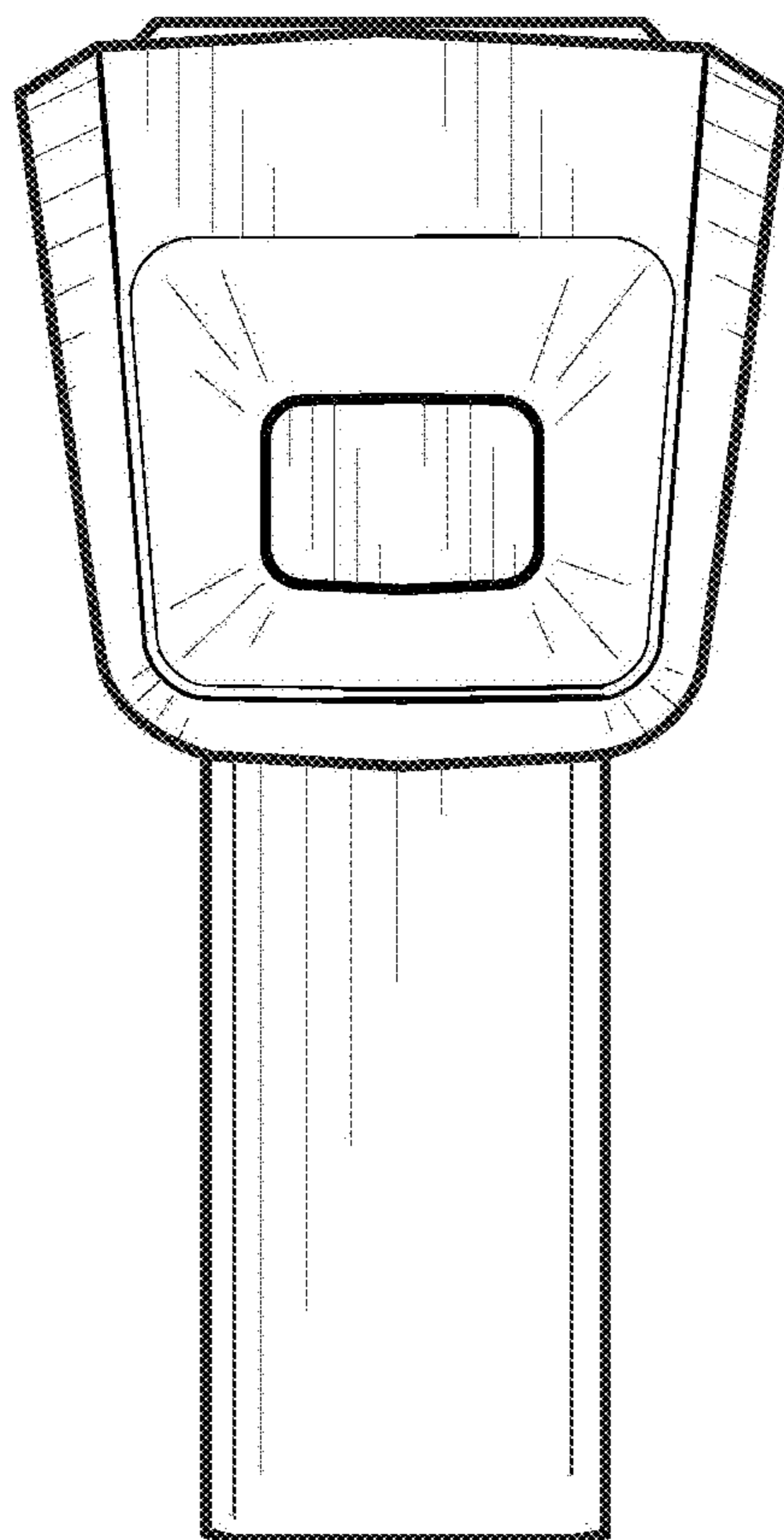


FIG. 8