

US00D980226S

(12) **United States Design Patent**
Hu

(10) **Patent No.:** **US D980,226 S**
(45) **Date of Patent:** **** Mar. 7, 2023**

(54) **KEYBOARD WITH A TABLET PROTECTIVE CASE**

3256803129158282.html?gatewayAdapt=glo2usa&_randl_shipto=US.*

(Continued)

(71) Applicant: **Zhijun Hu**, Shenzhen (CN)

Primary Examiner — John R Yeh

(72) Inventor: **Zhijun Hu**, Shenzhen (CN)

(74) *Attorney, Agent, or Firm* — Jeenam Park

(**) Term: **15 Years**

(57) **CLAIM**

(21) Appl. No.: **29/823,948**

The ornamental design for a keyboard with a tablet protective case, as shown and described.

(22) Filed: **Jan. 20, 2022**

DESCRIPTION

(51) **LOC (14) Cl.** **14-02**

(52) **U.S. Cl.**
USPC **D14/440**

(58) **Field of Classification Search**
USPC D14/250, 440, 432, 447
CPC ... H04B 1/3888; B32B 38/1841; B32B 37/26;
G06F 1/166; G06F 1/1667
See application file for complete search history.

FIG. 1 is a perspective view of a keyboard with a tablet protective case, showing my new design;
FIG. 2 is another perspective view thereof;
FIG. 3 is a front view thereof;
FIG. 4 is a rear view thereof;
FIG. 5 is a left side view thereof;
FIG. 6 is a right side view thereof;
FIG. 7 is a top plan view thereof;
FIG. 8 is a bottom plan view thereof;
FIG. 9 is another perspective view showing the design in a partially opened configuration;
FIG. 10 is another perspective view showing the design in a partially opened and detached configuration;
FIG. 11 is another perspective view showing the design in a partially opened and twenty five degree swiveled position;
FIG. 12 is another perspective view showing the design in a partially opened and ninety degree swiveled position;
FIG. 13 is another perspective view showing the design in a partially opened and one hundred and eighty degree swiveled position;
FIG. 14 is another perspective view showing the design from FIG. 9 in a fully opened configuration; and,
FIG. 15 is another perspective view showing the design from FIG. 14 is a closed and one hundred and eighty degree swiveled position.

(56) **References Cited**

U.S. PATENT DOCUMENTS

D504,129 S *	4/2005	Loew	D14/318
D672,352 S *	12/2012	Gengler	D14/440
D679,277 S *	4/2013	Probst	D14/440
D722,602 S *	2/2015	Schoenith	D14/440
D740,802 S *	10/2015	Hsu	D14/316
D763,249 S *	8/2016	Lee	D14/315
D826,924 S *	8/2018	Lee	D14/315
D832,854 S *	11/2018	Jinkinson	D14/440
D837,797 S	1/2019	Wright et al.		
D838,714 S *	1/2019	Lin	D14/318

(Continued)

FOREIGN PATENT DOCUMENTS

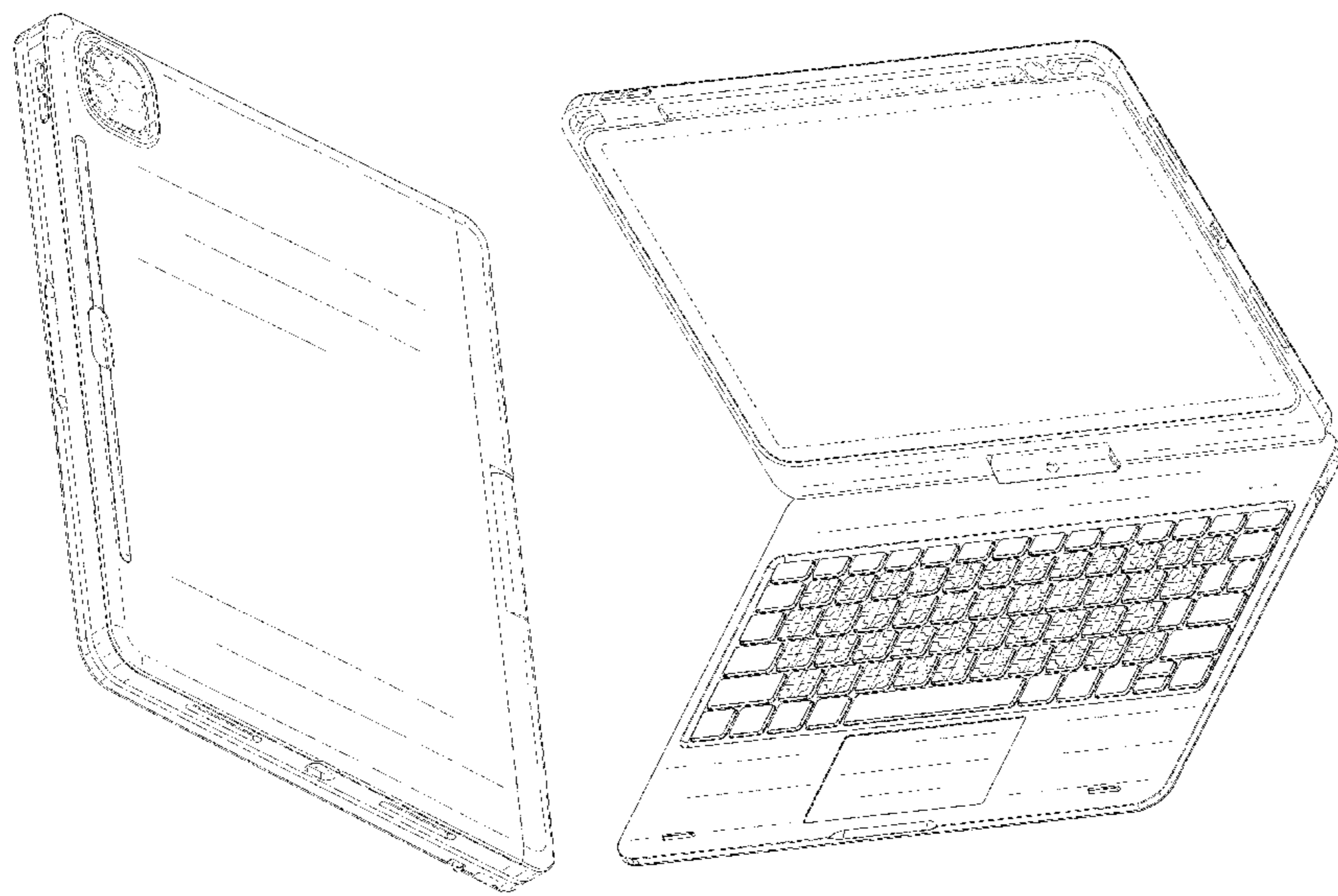
WO D087537-005 * 12/2017

OTHER PUBLICATIONS

Original Xiaomi Mi Pad 5, AliXpress website reviews 2022, site visited Dec. 16, 2022, <https://www.aliexpress.us/item/>

The broken lines depict features of the keyboard with a tablet protective case that form no part of the claimed design.

1 Claim, 15 Drawing Sheets



(56)

References Cited

U.S. PATENT DOCUMENTS

D861,000 S * 9/2019 Zhao D14/440
 D880,485 S * 4/2020 Zhu D14/440
 D902,215 S 11/2020 Quan
 D913,969 S 3/2021 Lin
 D914,668 S * 3/2021 Lee D14/315
 D916,696 S * 4/2021 Yang D14/315
 D918,214 S * 5/2021 Chen D14/440
 D921,636 S 6/2021 Pearce
 D928,165 S * 8/2021 Li D14/440
 11,106,285 B1 * 8/2021 Piper G06F 3/0221
 11,294,426 B1 * 4/2022 Piper G06F 1/1669
 D966,257 S * 10/2022 Lee D14/327
 2006/0243878 A1 * 11/2006 Saad G06F 1/203
 248/346.01
 2007/0236908 A1 * 10/2007 Yukawa G06F 1/1686
 362/23.15
 2008/0142662 A1 * 6/2008 Leung G06F 1/1632
 248/346.01
 2011/0110670 A1 * 5/2011 Atkinson G06F 1/1681
 361/679.21

2011/0235275 A1 * 9/2011 Su G06F 1/1667
 361/679.01
 2012/0293938 A1 * 11/2012 Dai G06F 1/1681
 361/679.44
 2013/0214661 A1 * 8/2013 McBroom G06F 1/166
 312/325
 2013/0308263 A1 * 11/2013 Dondurur G06F 1/1667
 361/679.12
 2014/0211393 A1 * 7/2014 Lee G06F 1/1632
 361/679.12
 2015/0301566 A1 * 10/2015 Santiago F16M 13/00
 248/157
 2017/0168526 A1 * 6/2017 Fujikawa G06F 1/1616
 2018/0081402 A1 * 3/2018 Smith G06F 3/0202
 2018/0107253 A1 * 4/2018 Landwehr G06F 1/1681

OTHER PUBLICATIONS

Best Keyboard Cases for Tablets, Rolling Stone article date Feb. 2022, site visited Dec. 16, 2022, <https://www.rollingstone.com/product-recommendations/electronics/best-tablet-keyboard-case-1299278/>.*

* cited by examiner

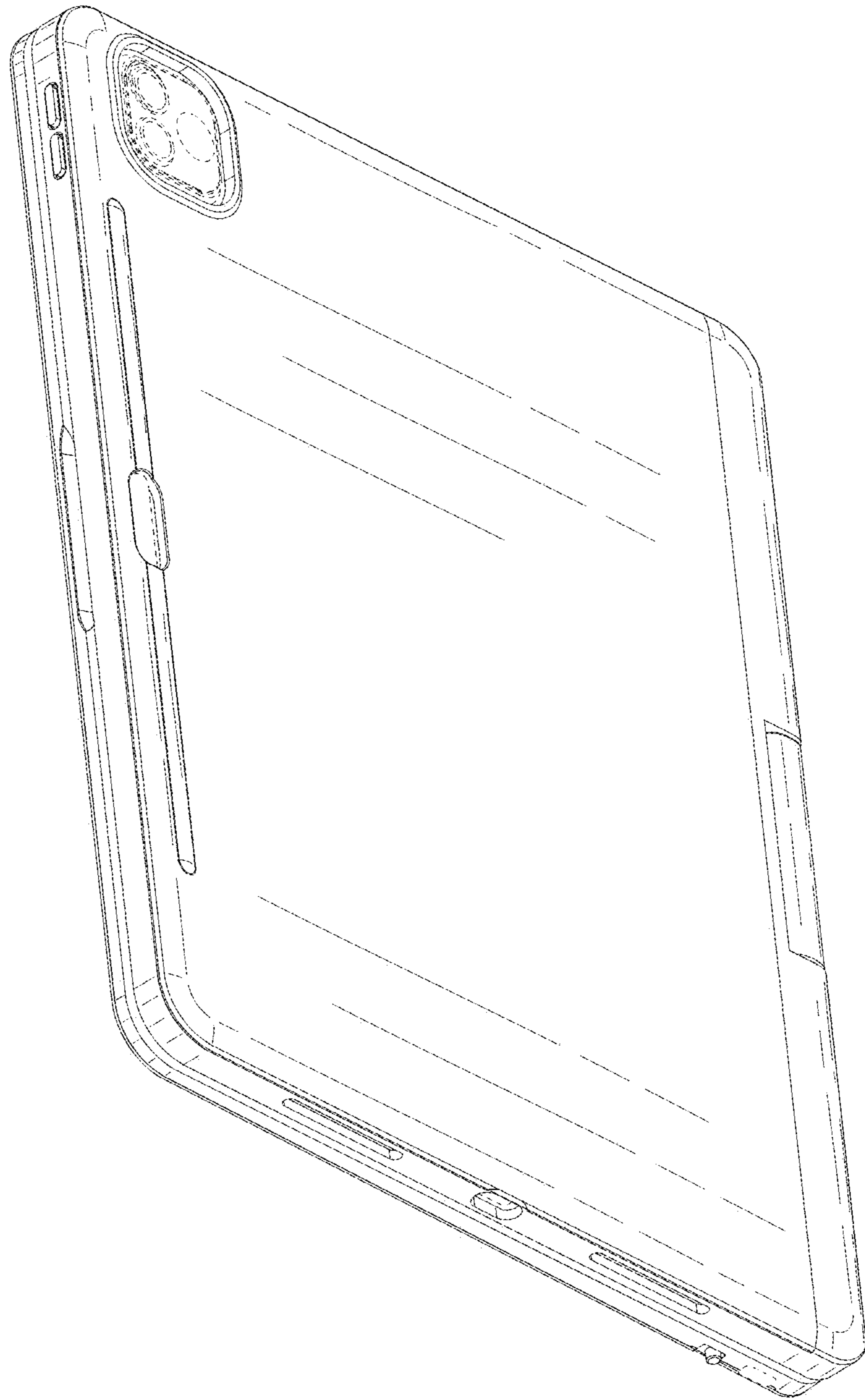


FIG. 1

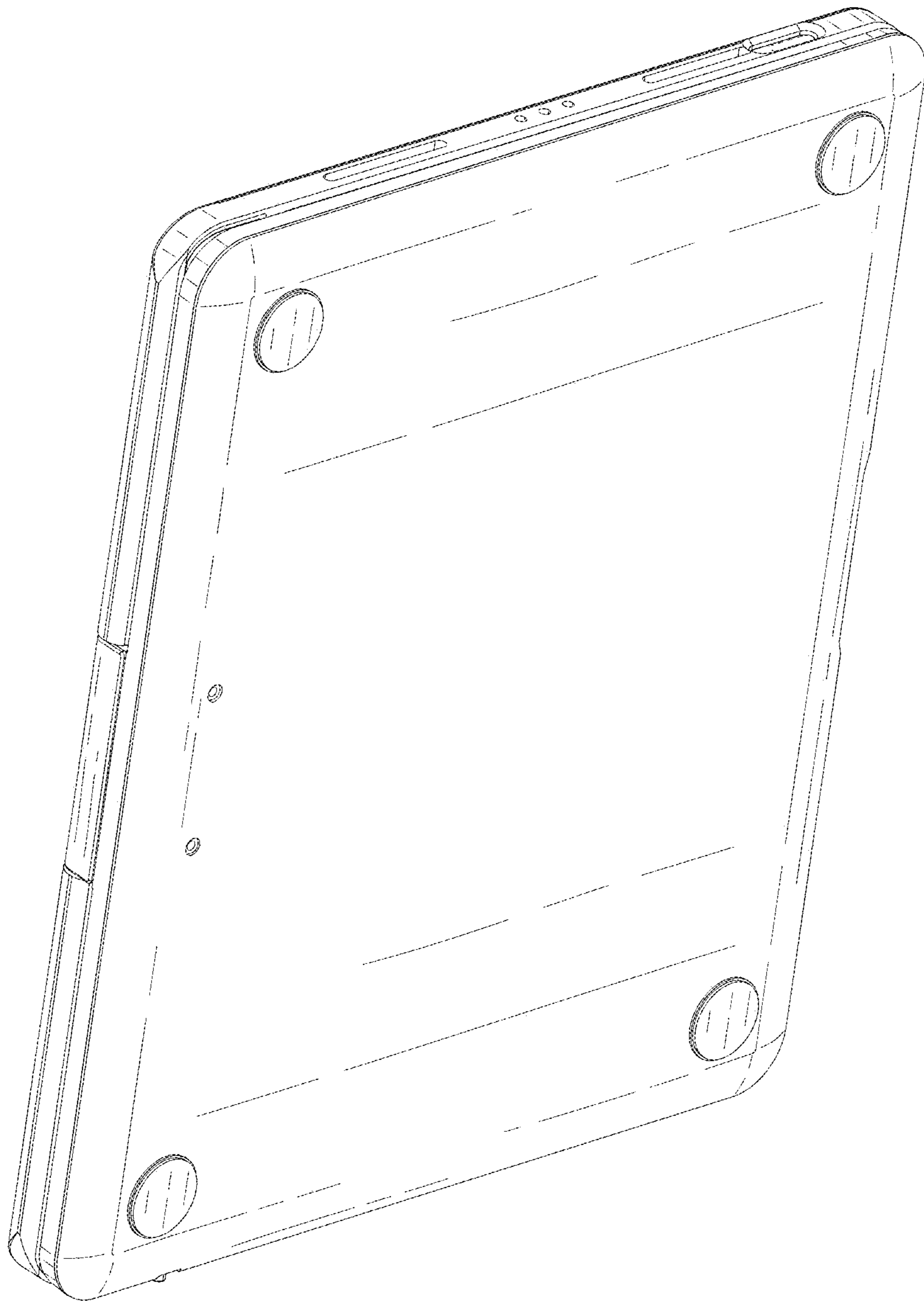


FIG. 2

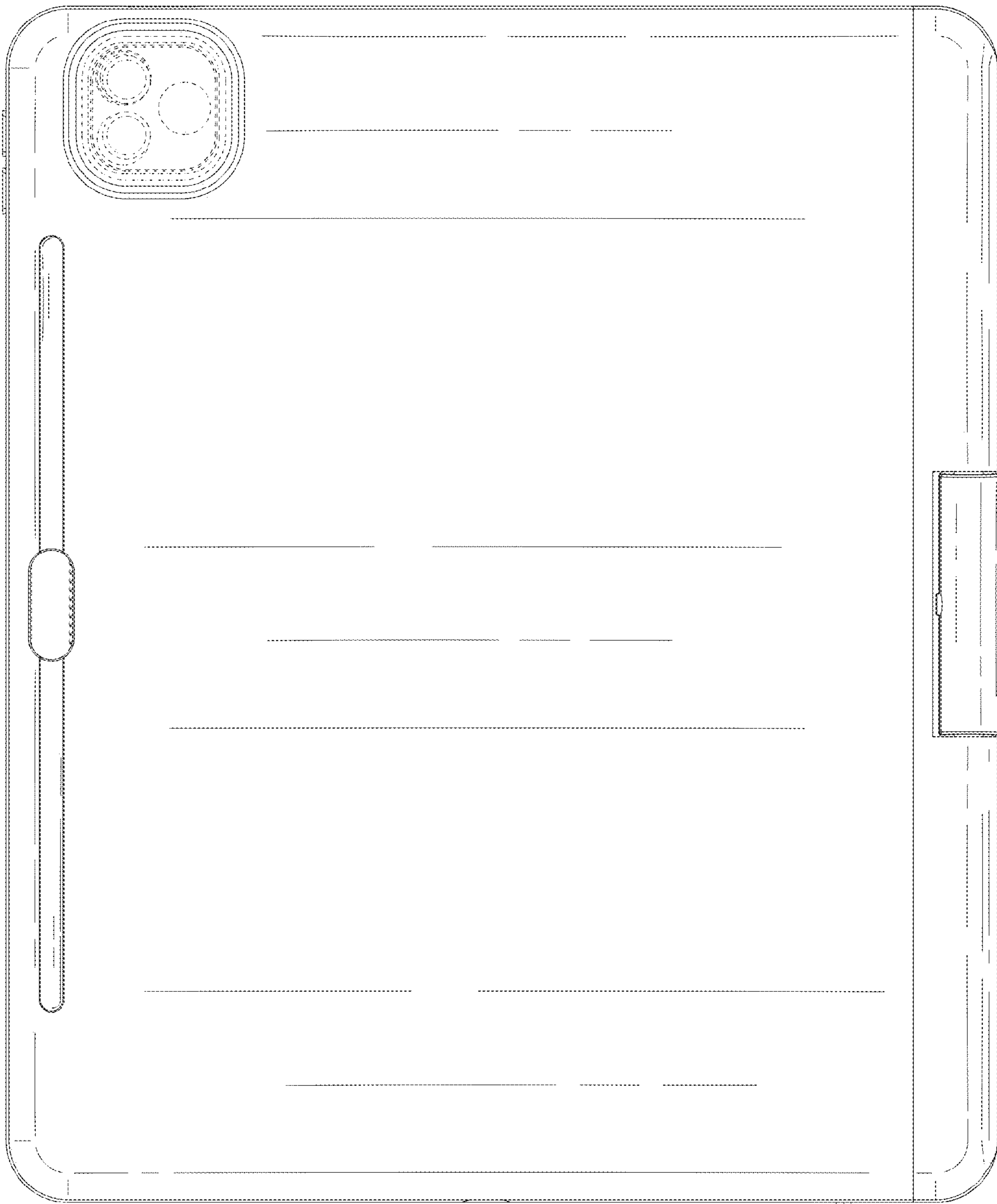


FIG. 3

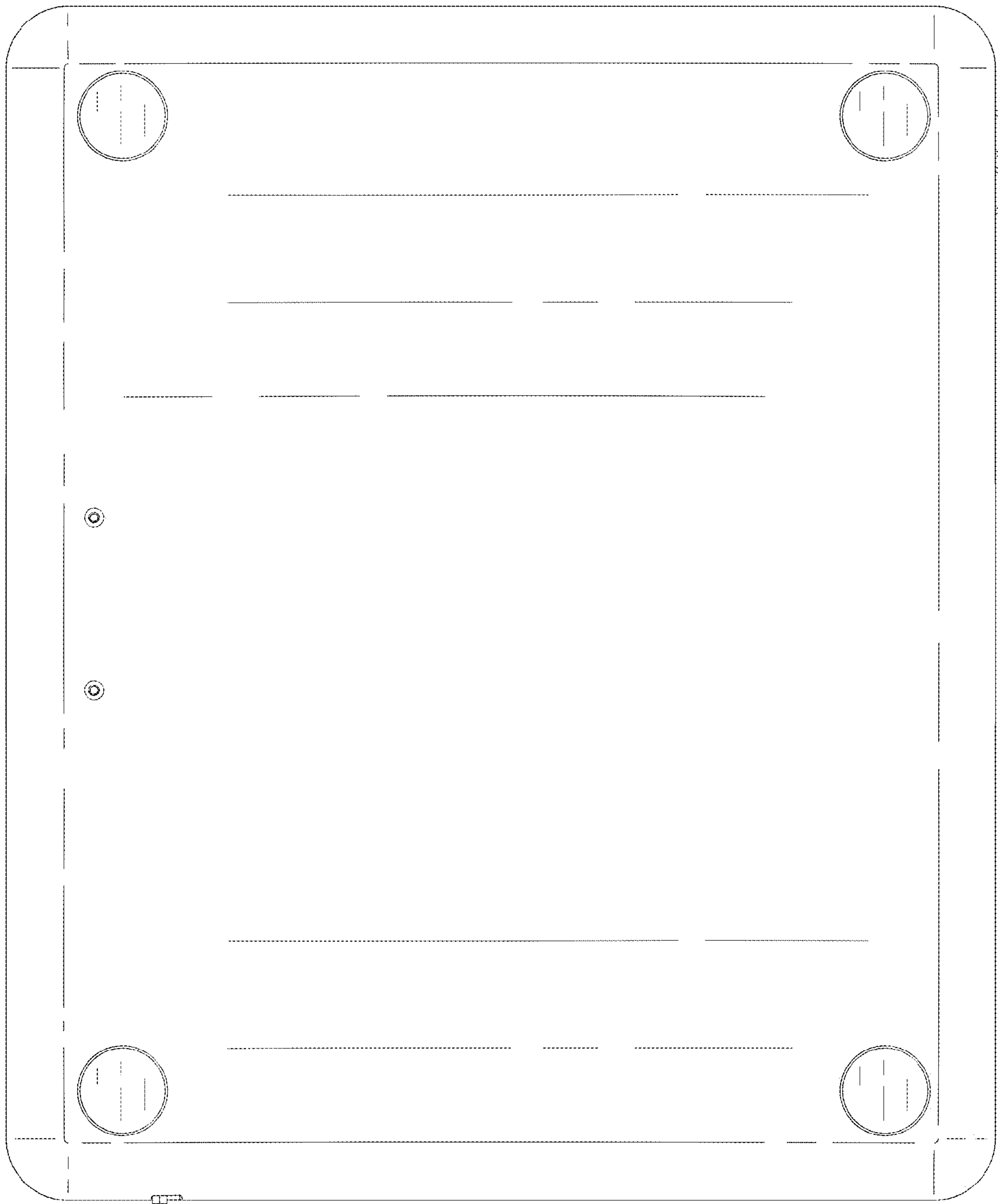


FIG. 4

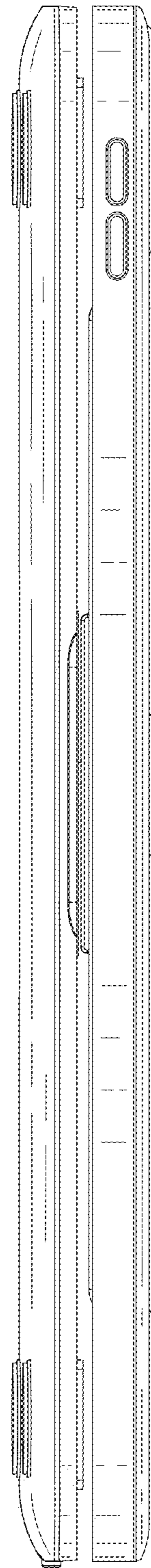


FIG. 5

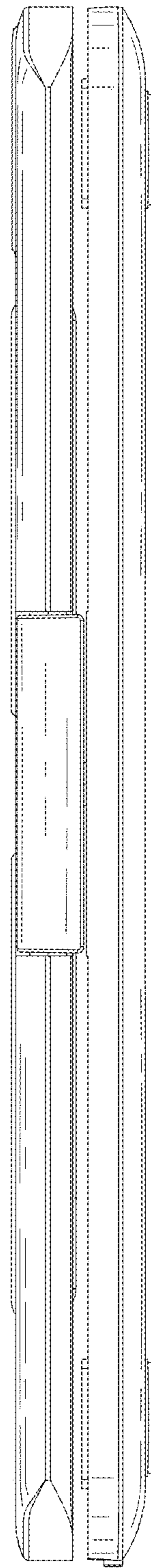


FIG. 6

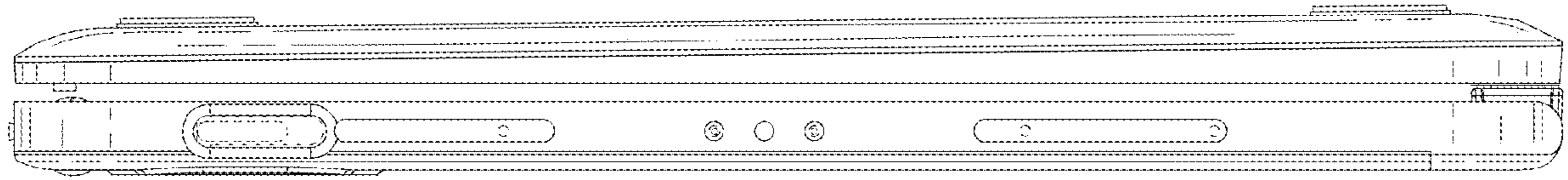


FIG. 7

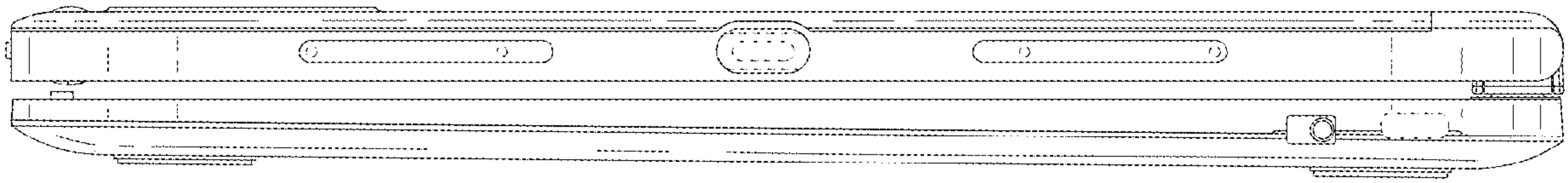


FIG. 8



FIG. 9

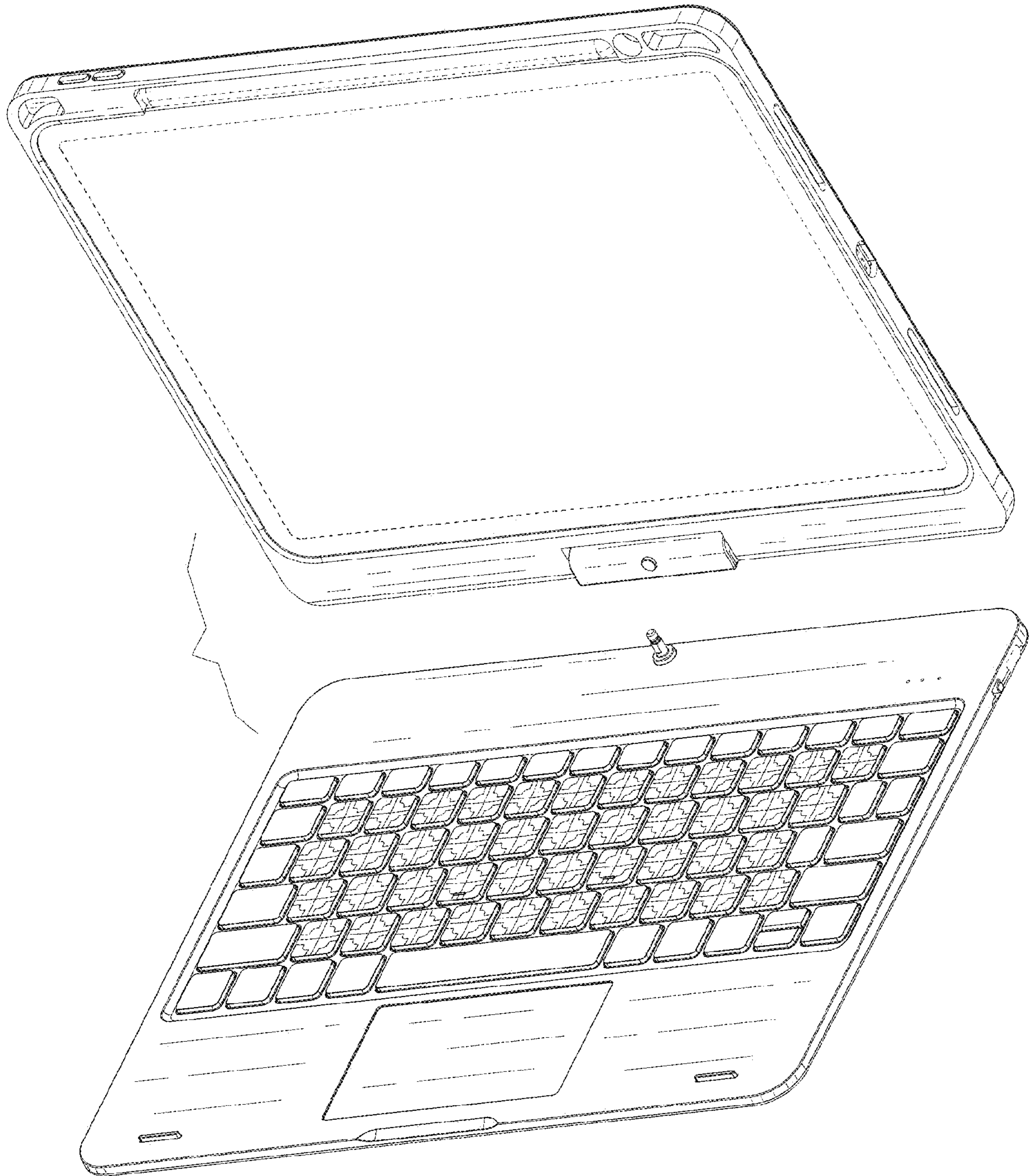


FIG. 10



FIG. 11

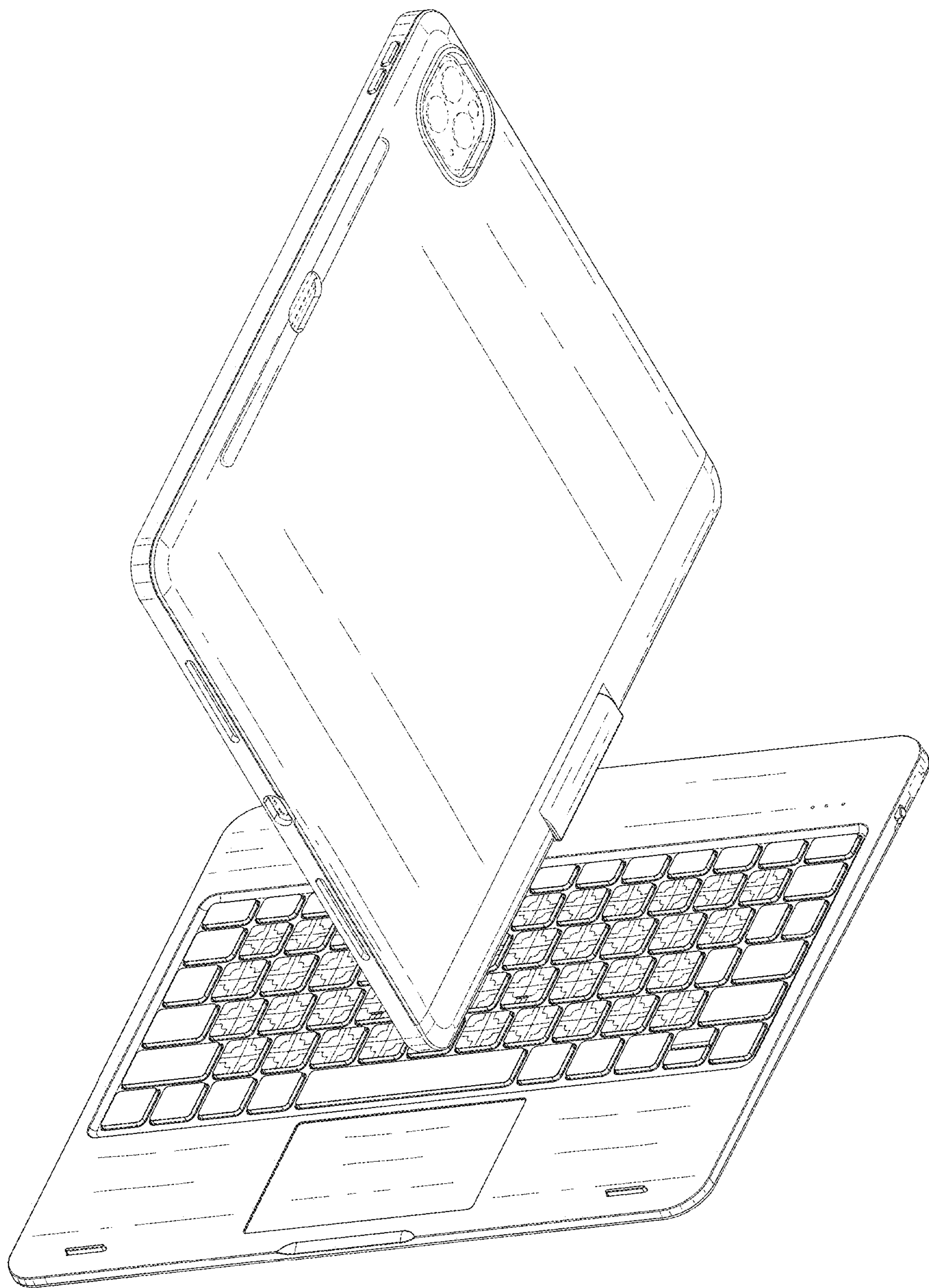


FIG. 12



FIG. 13



FIG. 14

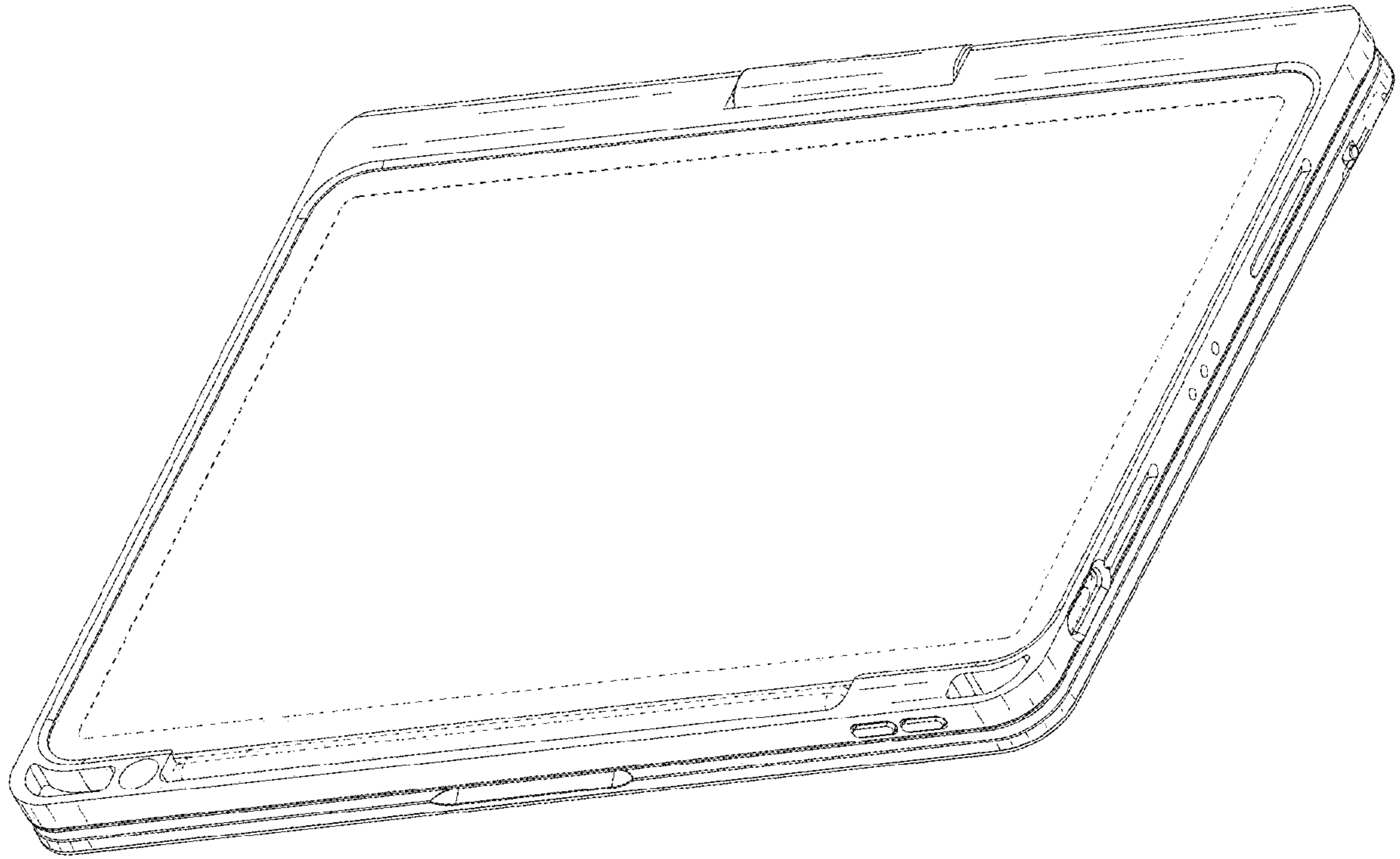


FIG. 15