



US00D980223S

(12) **United States Design Patent**  
**Piper et al.**

(10) **Patent No.:** **US D980,223 S**  
(45) **Date of Patent:** **\*\* Mar. 7, 2023**

(54) **CONNECTOR ADAPTER FOR PORTABLE ELECTRONIC COMPUTING DEVICE**

(71) Applicant: **Pioneer Square Brands, Inc.**, Seattle, WA (US)

(72) Inventors: **Brian Lewis Piper**, Seattle, WA (US);  
**Emelie Elna Victoria Troedson**, Seattle, WA (US)

(73) Assignee: **Pioneer Square Brands, Inc.**, McLean, VA (US)

(\*\*) Term: **15 Years**

(21) Appl. No.: **29/860,511**

(22) Filed: **Nov. 18, 2022**

(51) **LOC (14) Cl.** ..... **14-02**

(52) **U.S. Cl.**  
USPC ..... **D14/433**

(58) **Field of Classification Search**  
USPC .... D14/356, 432-434, 453, 454, 511, 203.8,  
D14/209.1, 238.1, 240, 125; 439/638,  
439/928, 105, 502; 710/303, 304;  
361/679.41, 679.55, 679.56; D13/110,  
D13/133, 146  
CPC .... G06Q 20/202; G06Q 20/322; G06Q 20/32;  
G06Q 20/20; G06Q 20/327  
See application file for complete search history.

(56) **References Cited**

**U.S. PATENT DOCUMENTS**

D427,965 S	7/2000	Wu	
D505,913 S	6/2005	Kam Lun et al.	
D533,501 S	* 12/2006	Wakefield	..... D13/133
D554,642 S	11/2007	Suwalski et al.	
D596,562 S	7/2009	Hong et al.	
D605,603 S	12/2009	Mo	
D631,869 S	2/2011	Yamamoto	

D634,269 S	3/2011	Griffin, Jr.	
D639,735 S	* 6/2011	Lee	..... D32/31
D655,294 S	* 3/2012	Lee	..... D13/133
D655,708 S	3/2012	Frank	
D673,575 S	1/2013	Lin et al.	
D698,310 S	* 1/2014	Yun	..... D13/108
D699,243 S	2/2014	Cho	
D707,688 S	6/2014	Wu	
D714,274 S	9/2014	Jung et al.	
D724,583 S	3/2015	Ge	
D729,160 S	5/2015	Levy et al.	
D735,130 S	7/2015	Huang	
D738,308 S	9/2015	Sumwait et al.	
D763,852 S	* 8/2016	Avganim	..... D14/433
D769,184 S	10/2016	Esses	
D782,412 S	* 3/2017	Kim	..... D13/108
D811,329 S	2/2018	Roberts et al.	
D817,874 S	* 5/2018	Tsai	..... D13/108
D820,264 S	6/2018	Lai et al.	

(Continued)

*Primary Examiner* — Austin Murphy

(74) *Attorney, Agent, or Firm* — Grandview Law

(57) **CLAIM**

The ornamental design for a connector adapter for portable electronic computing device, as shown and described.

**DESCRIPTION**

FIG. 1 is a top perspective view of a connector adapter for portable electronic computing device showing my new design.

FIG. 2 is a front elevational view thereof.

FIG. 3 is a rear elevational view thereof.

FIG. 4 is a right elevational view thereof.

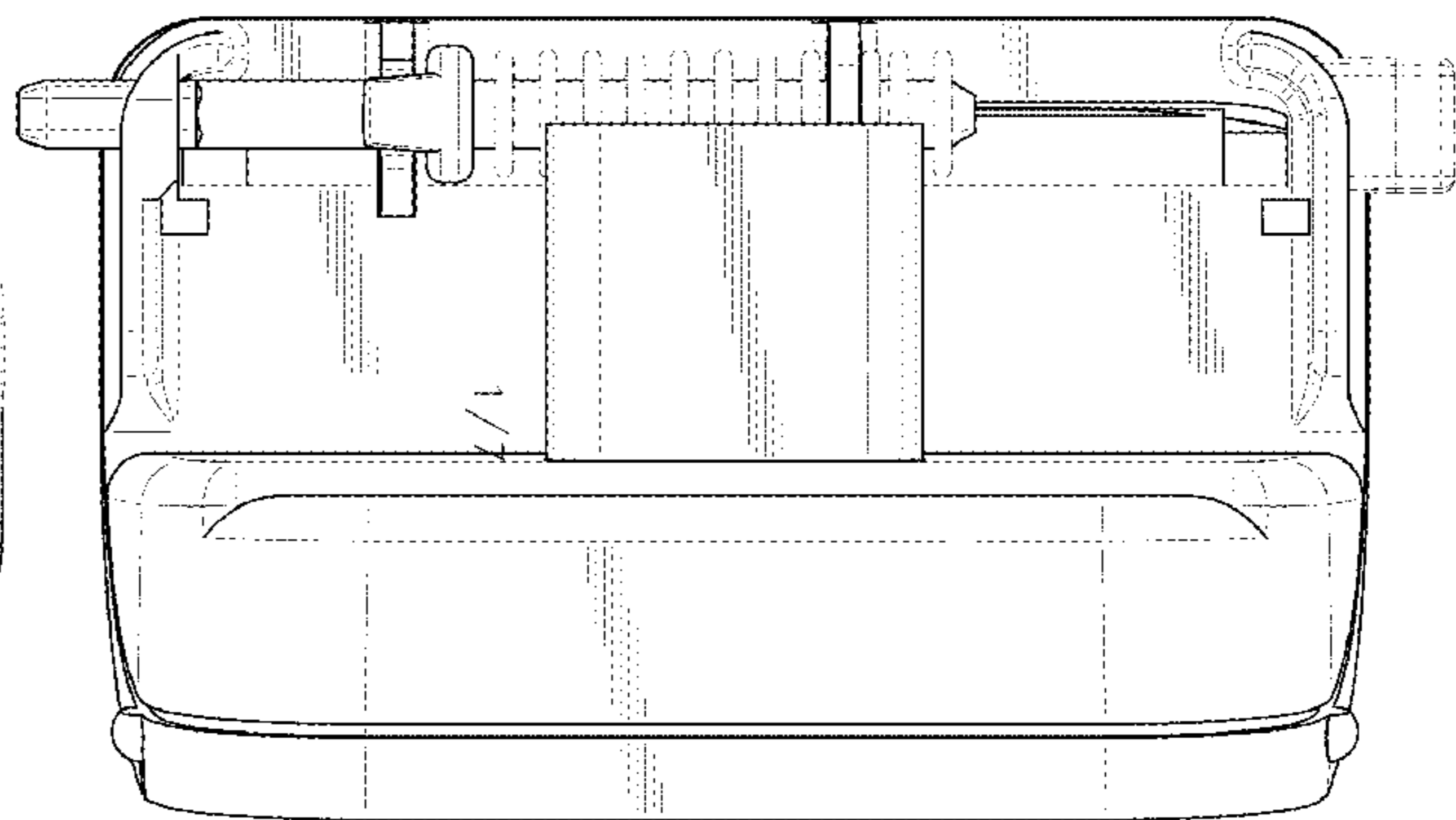
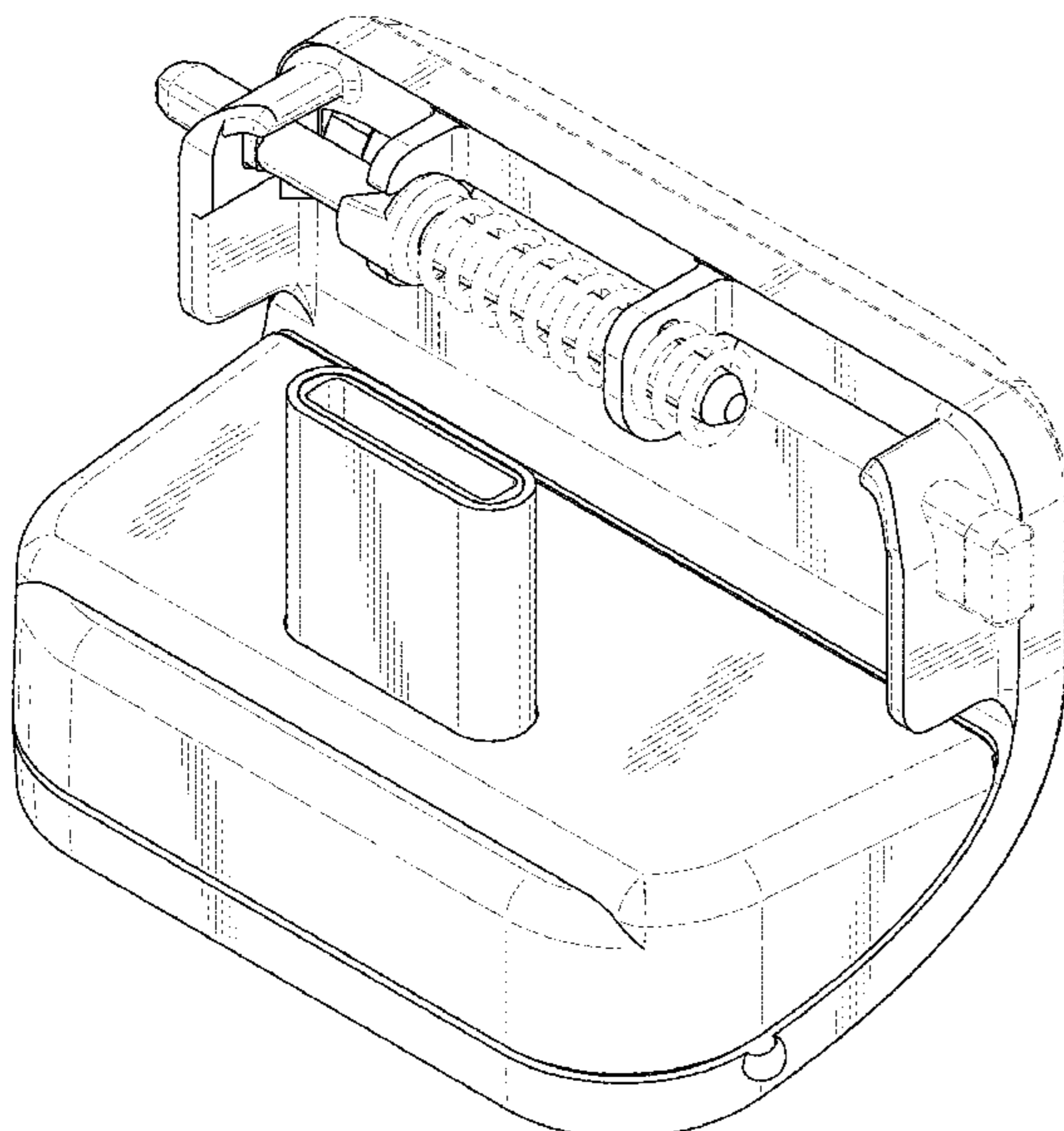
FIG. 5 is a left elevational view thereof.

FIG. 6 is a top plan view thereof; and,

FIG. 7 is a bottom plan view thereof.

The broken lines in the figures depict features of the connector adapter for portable electronic computing device that form no part of the claimed design.

**1 Claim, 7 Drawing Sheets**



(56)

**References Cited**

U.S. PATENT DOCUMENTS

D820,266 S	6/2018	Li et al.	
D827,574 S	9/2018	Kawakami et al.	
D840,928 S *	2/2019	Sun .....	D13/108
D847,739 S *	5/2019	Yun .....	D13/108
D850,366 S	6/2019	Zou	
D855,054 S	7/2019	Turksu et al.	
D859,320 S	9/2019	Corona	
D879,718 S *	3/2020	Piper .....	D13/133
D883,930 S	5/2020	Wang	
D899,428 S	10/2020	Shen	
D908,089 S	1/2021	Byrne et al.	
D946,519 S *	3/2022	Gao .....	D13/108
D963,588 S	9/2022	Seki et al.	
D963,589 S	9/2022	Seki et al.	
D964,287 S	9/2022	Corona	
D969,084 S	11/2022	Drasner et al.	

\* cited by examiner

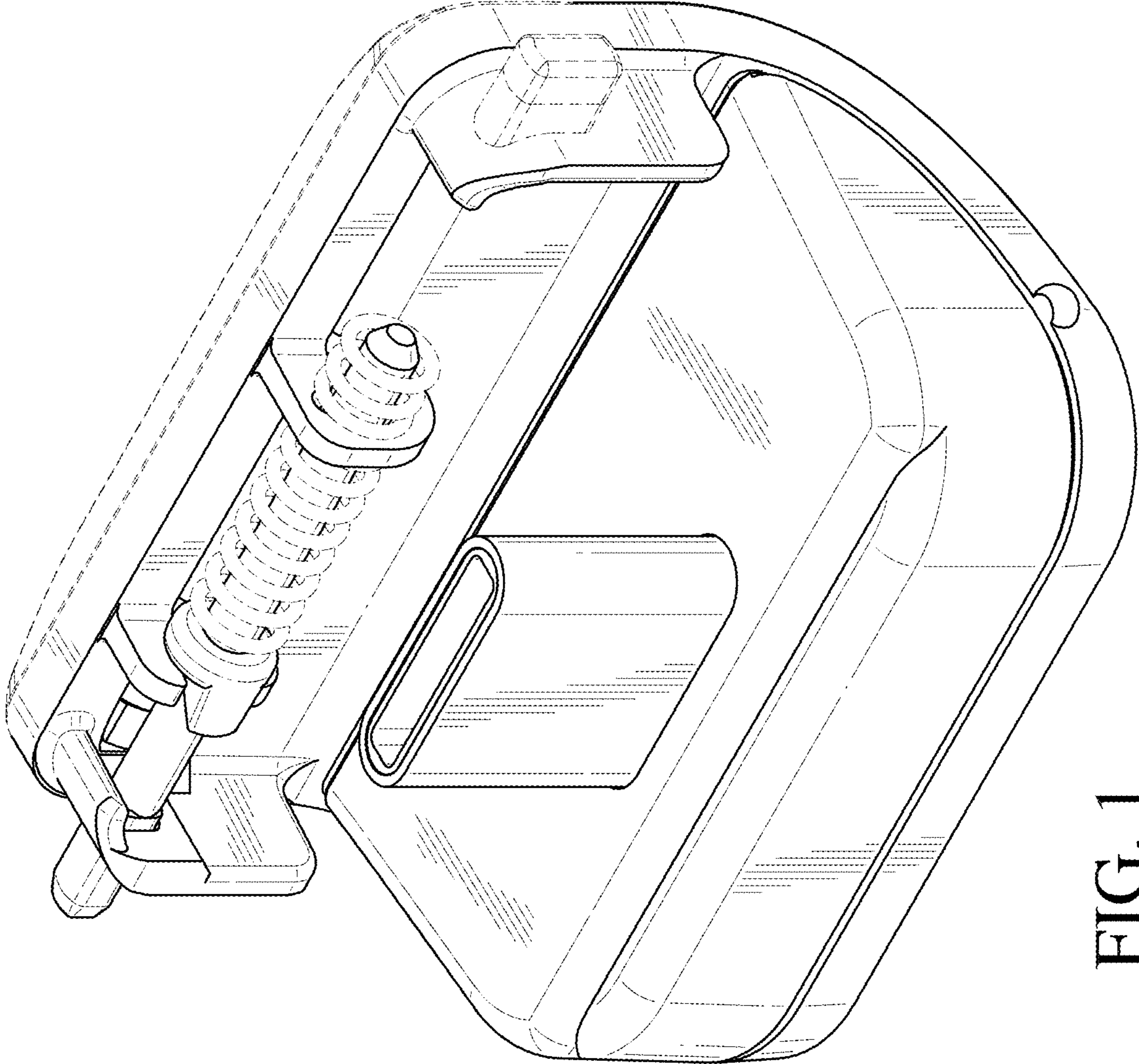


FIG. 1

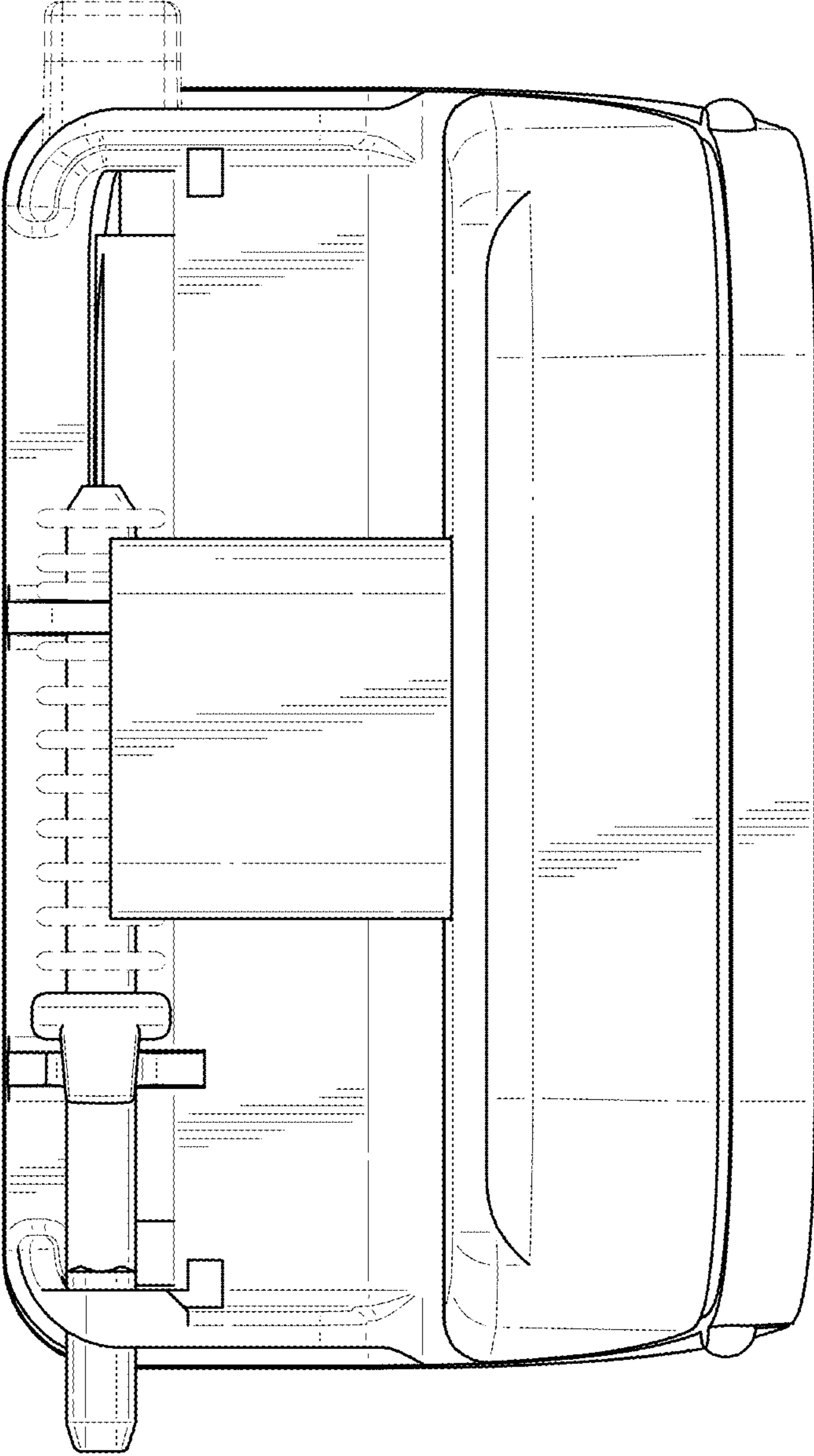


FIG. 2

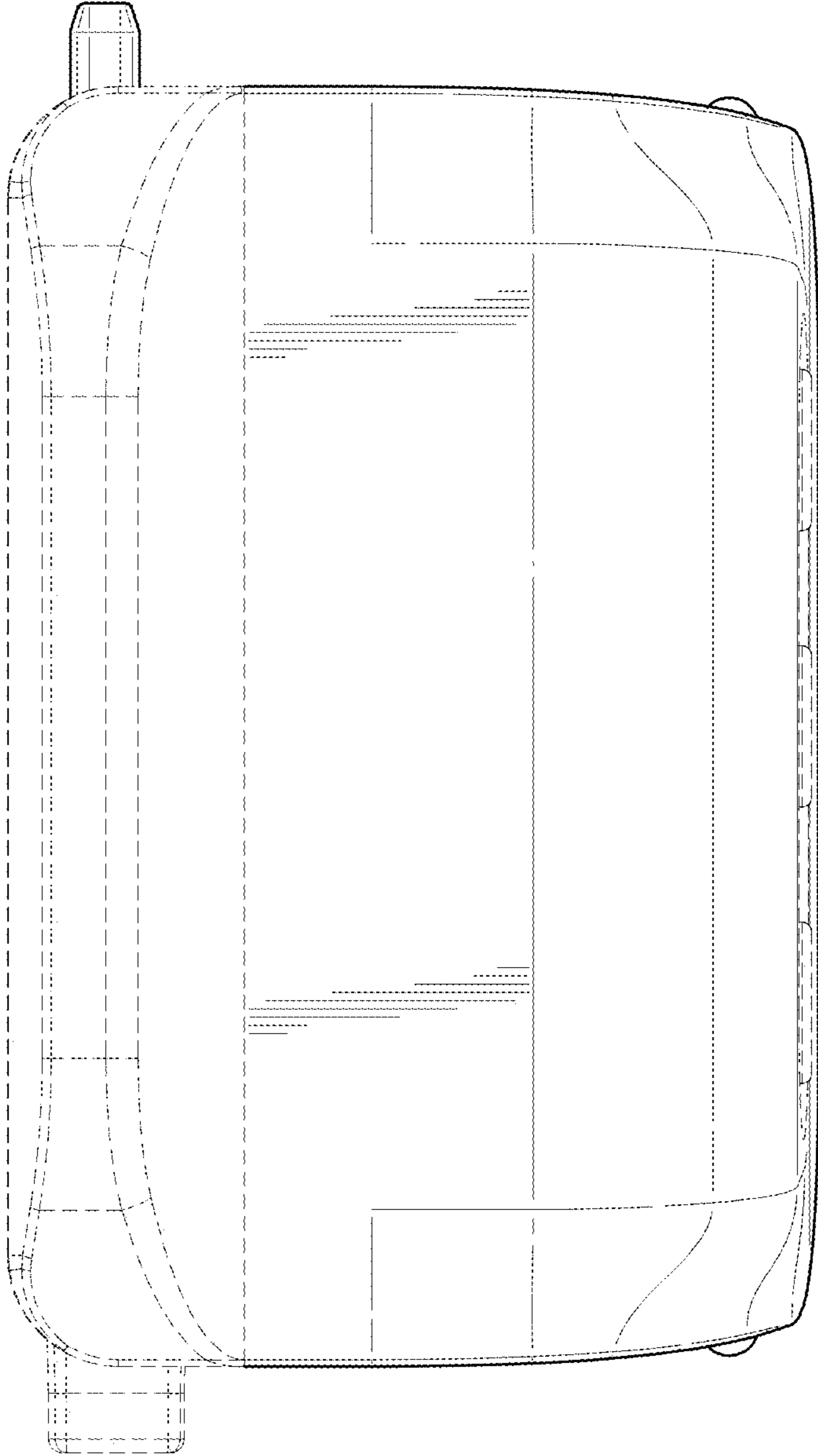


FIG. 3

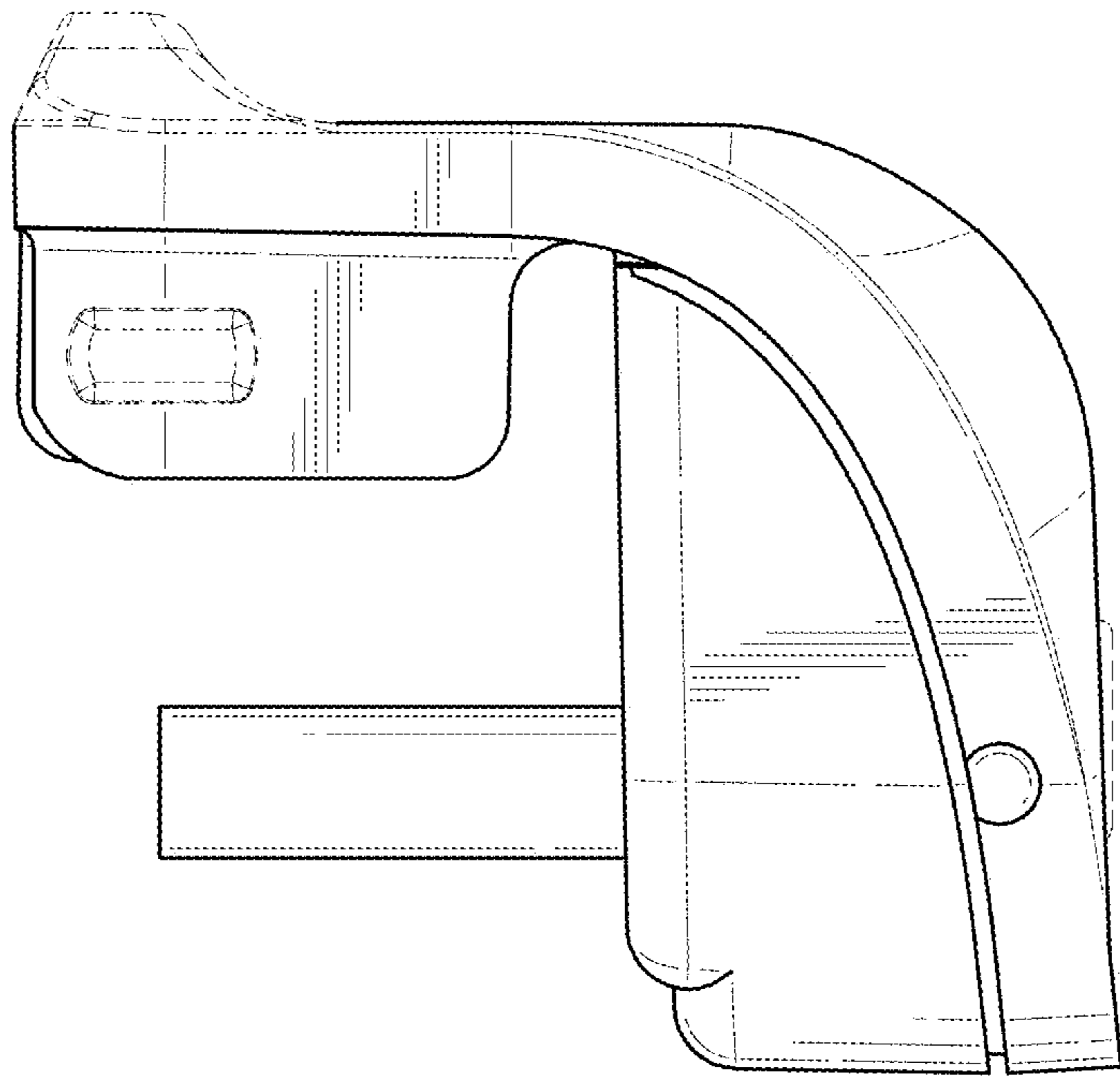


FIG. 4

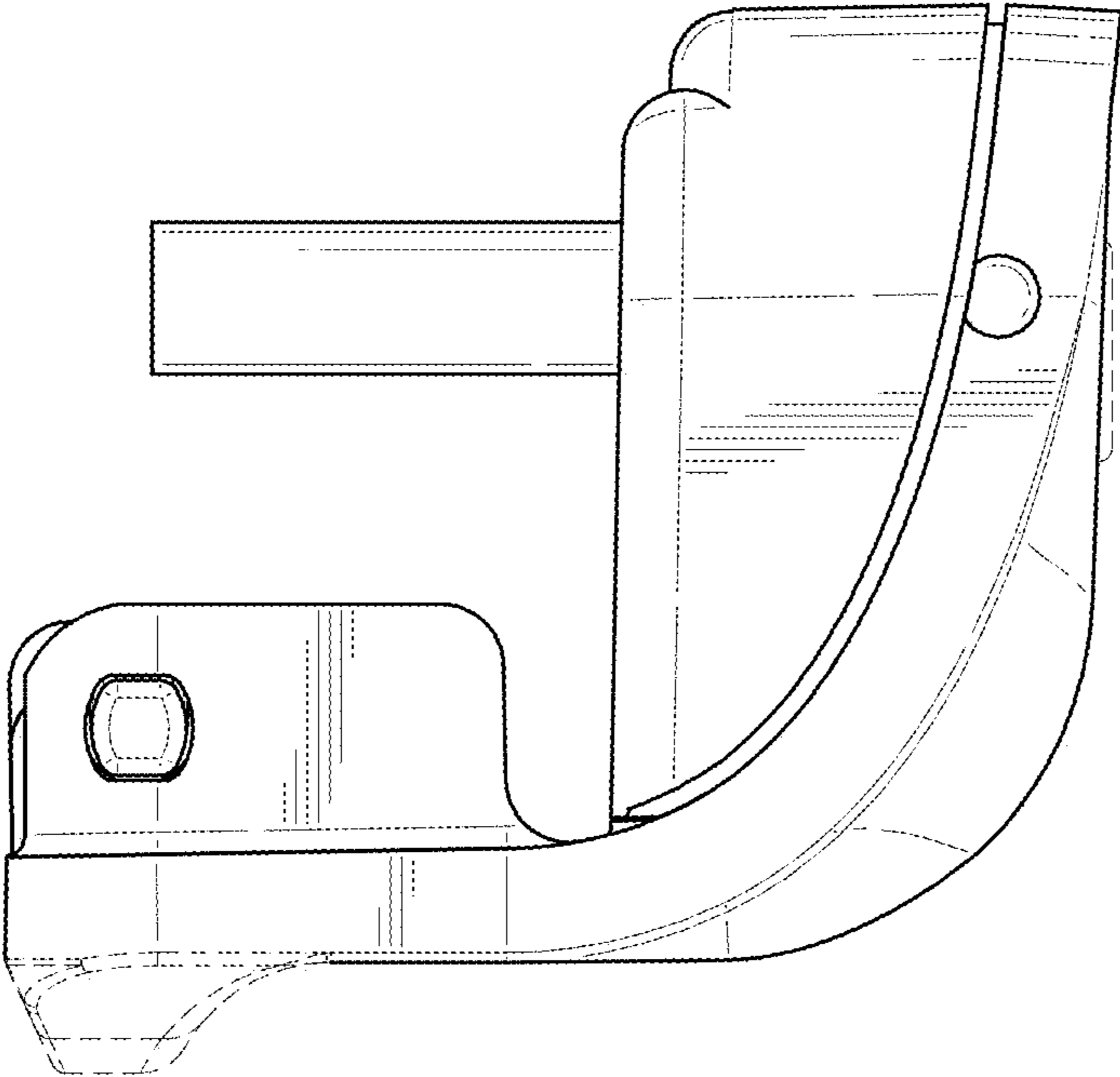


FIG. 5

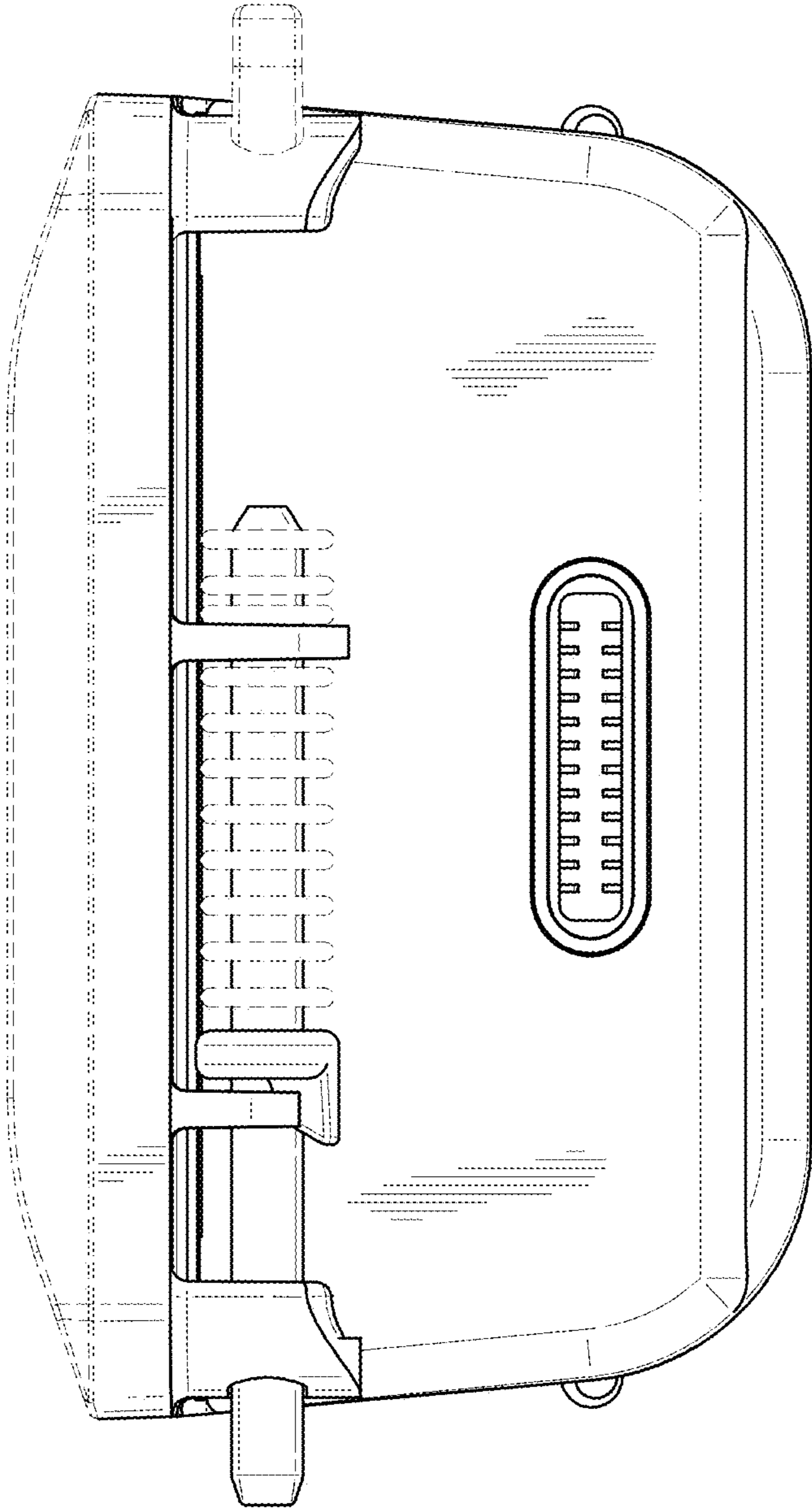


FIG. 6



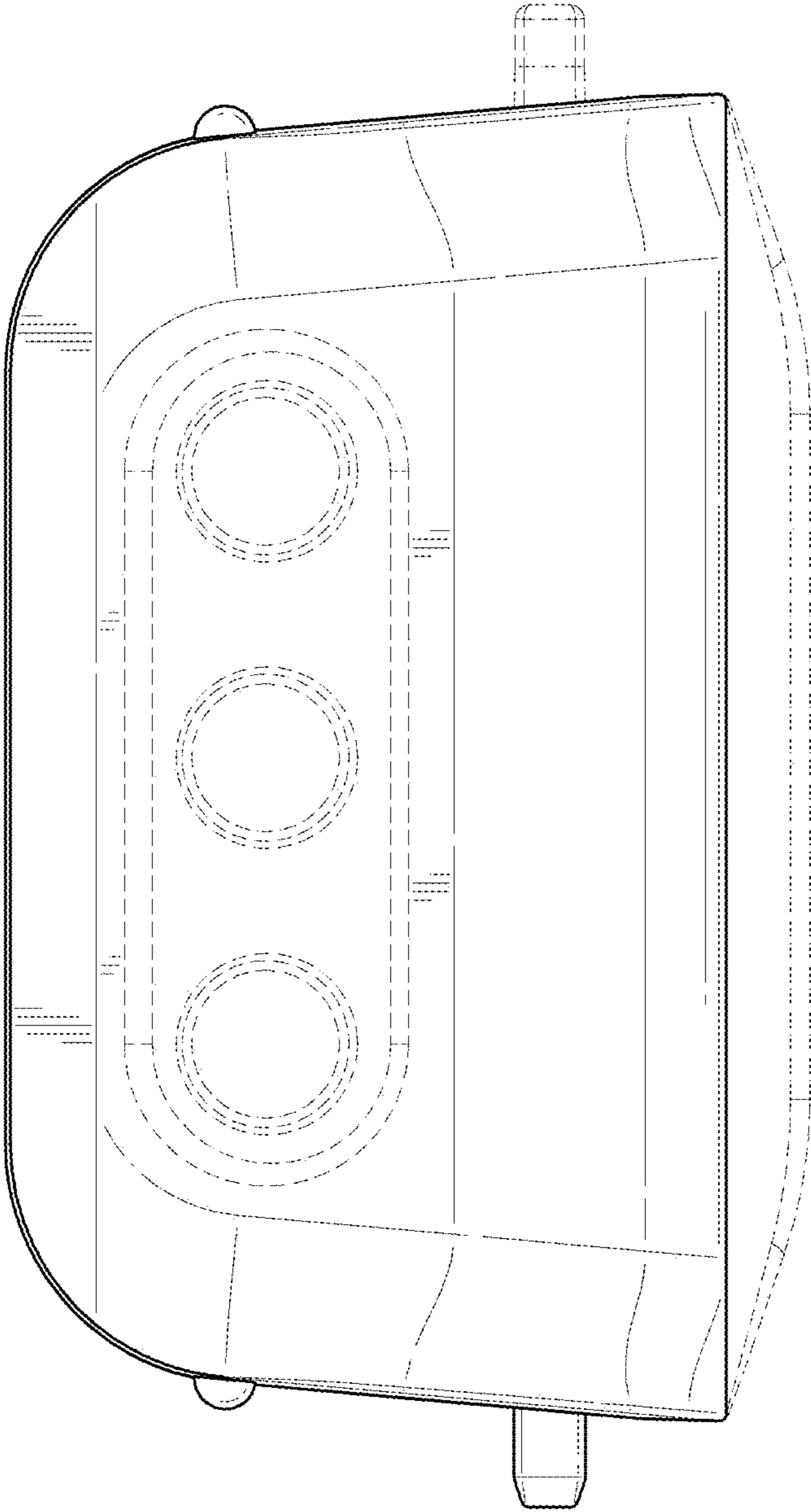


FIG. 7