



US00D980220S

(12) **United States Design Patent** (10) **Patent No.:** **US D980,220 S**
Lee (45) **Date of Patent:** **** Mar. 7, 2023**

(54) **STYLUS HOLDER**

FOREIGN PATENT DOCUMENTS

(71) Applicant: **ELAGO CO. LTD**, Goyang-si (KR)

CN 210491395 U 5/2020
JP 2002-370490 A 12/2002

(72) Inventor: **Chanwoo Lee**, Goyang-si (KR)

(Continued)

(73) Assignee: **elago CO. LTD**, Goyang-si (KR)

OTHER PUBLICATIONS

(**) Term: **15 Years**

Spigen, "Spigen DA20 Compatible with Magic Keyboard, Smart Keyboard Folio, Smart Folio Designed for Apple Pencil Holder (2nd Generation)—Black", Amazon.com, Mar. 7, 2022, URL: https://www.amazon.com/dp/B09V1V34TV?ref_=cm_sw_r_cp_ud_dp_YQAJ51590PHZR4GERSZ2&th=1.

(21) Appl. No.: **29/861,068**

(22) Filed: **Nov. 25, 2022**

Primary Examiner — Austin Murphy

(51) **LOC (14) Cl.** **14-02**

(74) *Attorney, Agent, or Firm* — Paratus Law Group, PLLC

(52) **U.S. Cl.**

USPC **D14/432**; D14/411

(57) **CLAIM**

(58) **Field of Classification Search**

USPC D8/61; D14/411; D19/35, 36, 41–51, D19/54–58, 81, 84; 401/55, 99, 100, 401/104–107, 196, 197, 202, 208, 209, 401/213, 192, 195, 243; 708/107; 345/179, 173; 24/3.7, 3.8, 11 CC

The ornamental design for a stylus holder, as shown and described.

See application file for complete search history.

DESCRIPTION

(56) **References Cited**

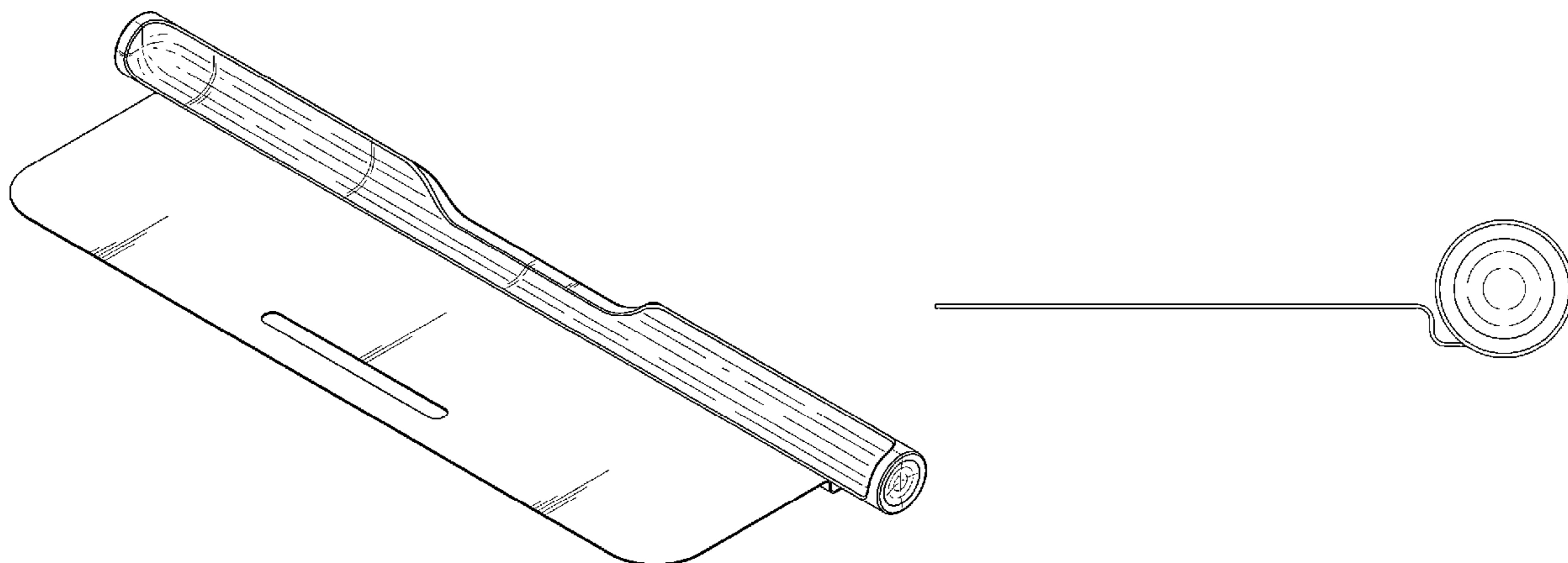
U.S. PATENT DOCUMENTS

1,346,393 A	7/1920	Woodhouse	
D574,433 S	8/2008	Poma	
D584,313 S *	1/2009	Pittel	D14/434
D598,052 S	8/2009	Esfahani et al.	
D673,154 S *	12/2012	Fang	D14/411
D700,909 S *	3/2014	Bowser	D19/81
D723,036 S *	2/2015	Longo	D14/411
D729,801 S *	5/2015	Daniel	D14/307
D832,256 S *	10/2018	King	D19/81
D839,271 S	1/2019	King-Murrey et al.	
D847,820 S *	5/2019	Pisapia	D14/447
D852,270 S	6/2019	Sirichai	

(Continued)

FIG. 1 is a front, top, and right-side perspective view of a stylus holder, showing my new design;
FIG. 2 is a front view thereof;
FIG. 3 is a back view thereof;
FIG. 4 is an enlarged left-side view thereof;
FIG. 5 is an enlarged right-side view thereof;
FIG. 6 is a top view thereof;
FIG. 7 is a bottom view thereof;
FIG. 8 is a back, top, and left-side perspective view thereof;
FIG. 9 is a front, top, and right-side perspective view thereof, showing the stylus holder in a configuration of use; and,
FIG. 10 is a back, top, and left-side perspective view thereof, showing the stylus holder in a configuration of use.
The broken lines shown in FIGS. 9 and 10 depict environmental subject matter only and form no part of the claimed design.

1 Claim, 6 Drawing Sheets



(56)

References Cited

U.S. PATENT DOCUMENTS

10,532,601	B2	1/2020	Davies-Smith
D906,421	S	12/2020	Hornung
2002/0036253	A1	3/2002	Lake
2020/0363837	A1	11/2020	Park
2022/0147159	A1	5/2022	Stancil et al.

FOREIGN PATENT DOCUMENTS

JP	2006-103129	A	4/2006
JP	2012-061835	A	3/2012
JP	2020-016916	A	1/2020
KR	3008018220008		7/2015
TW	M443891	U	12/2012

* cited by examiner

FIG. 1

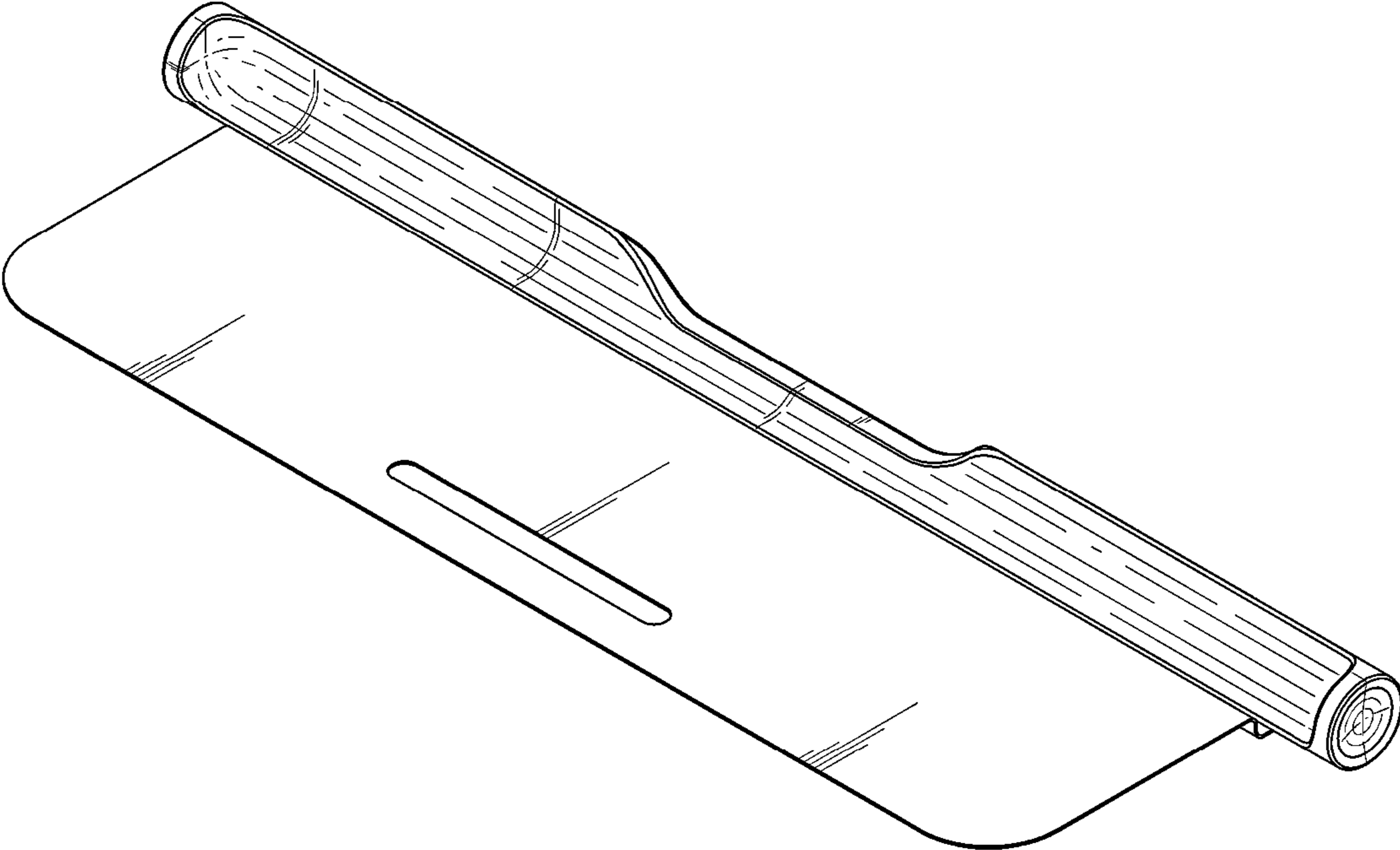


FIG. 2



FIG. 3



FIG. 4

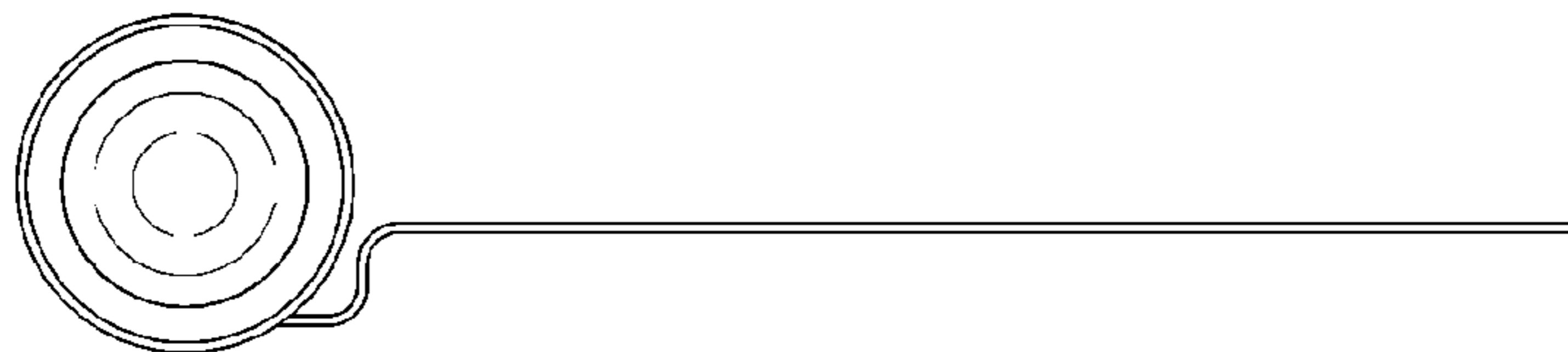


FIG. 5

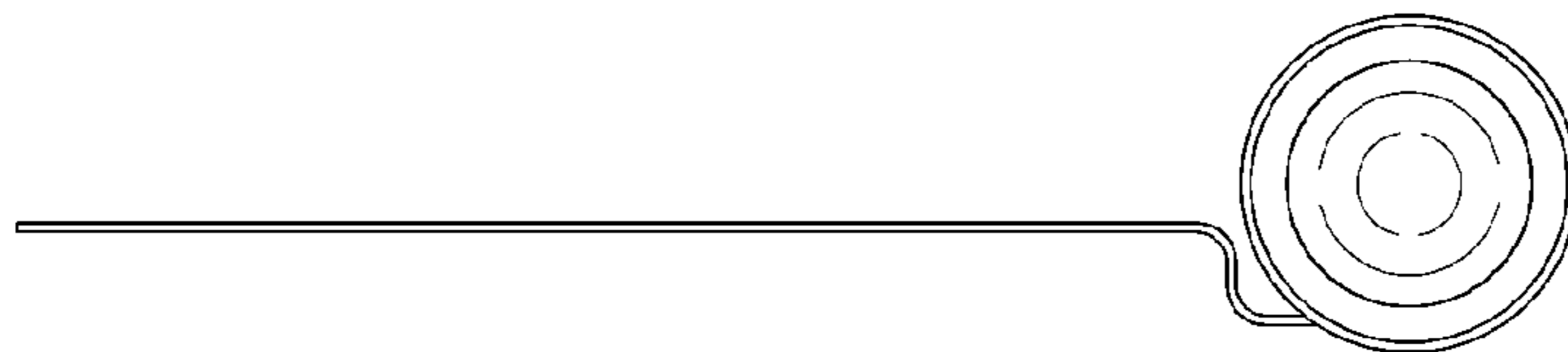


FIG. 6

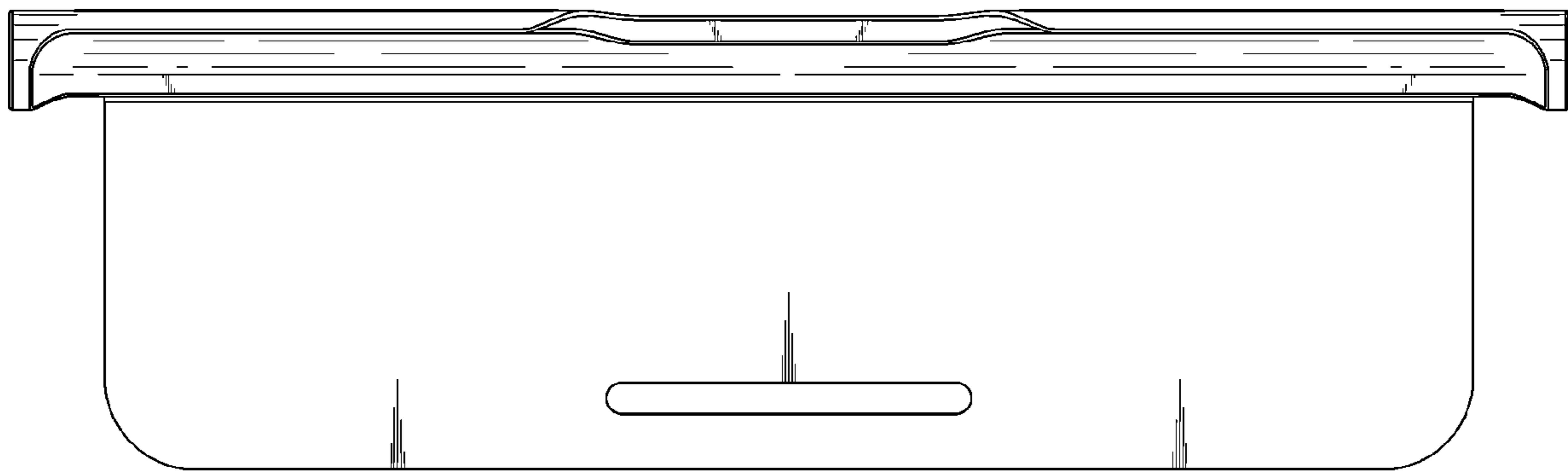


FIG. 7

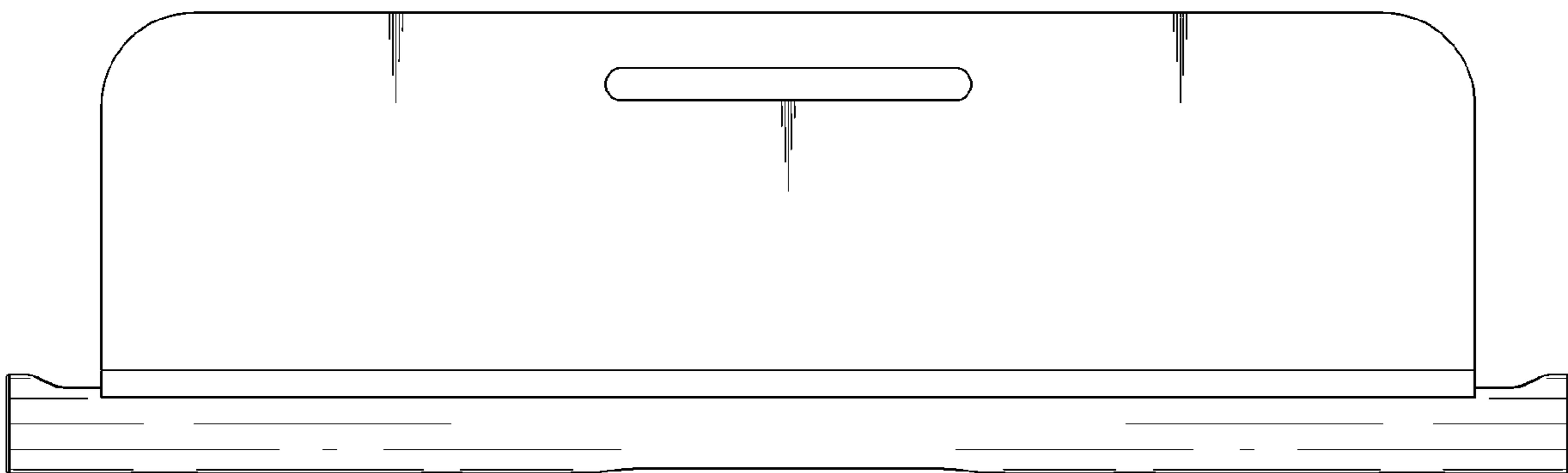


FIG. 8

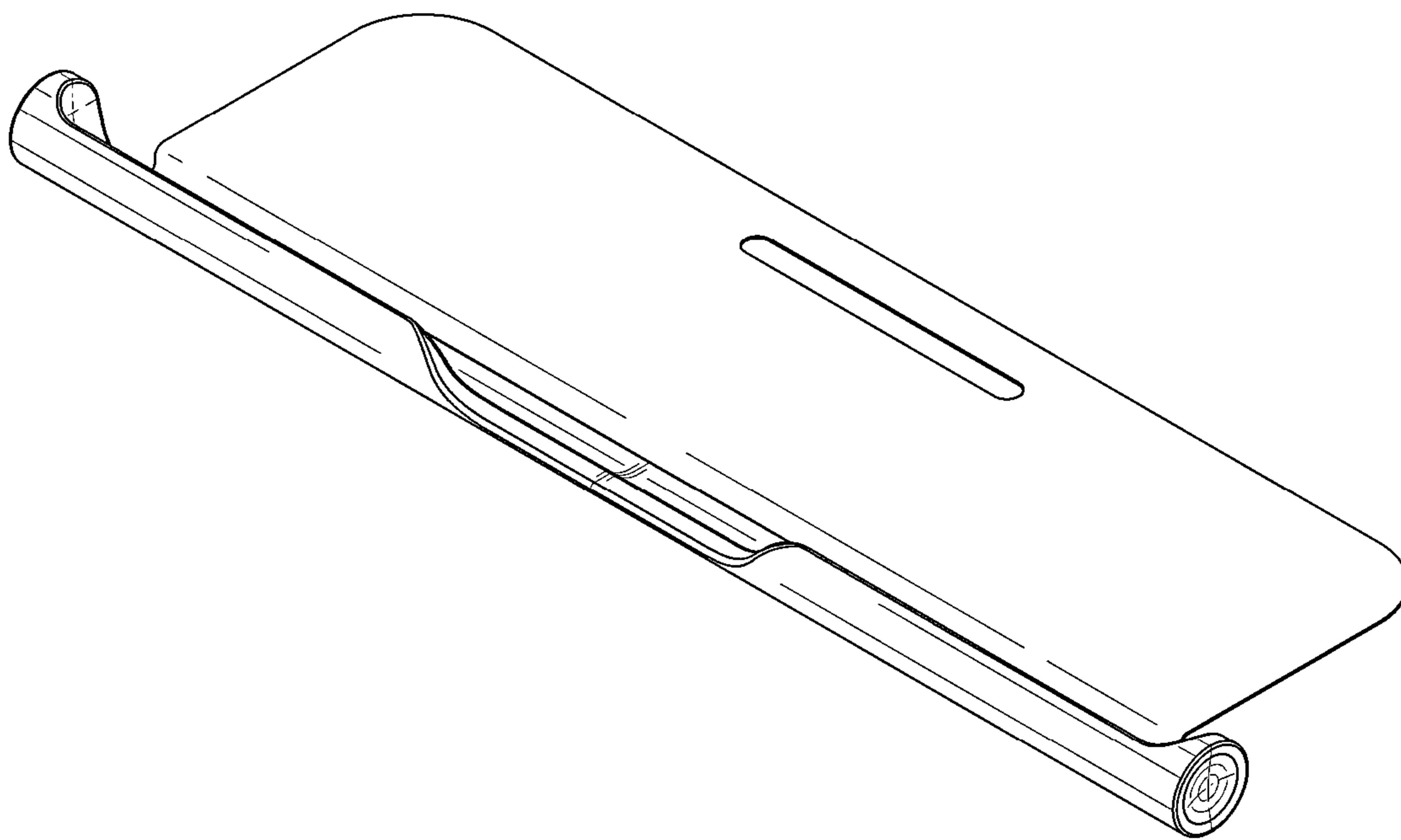


FIG. 9

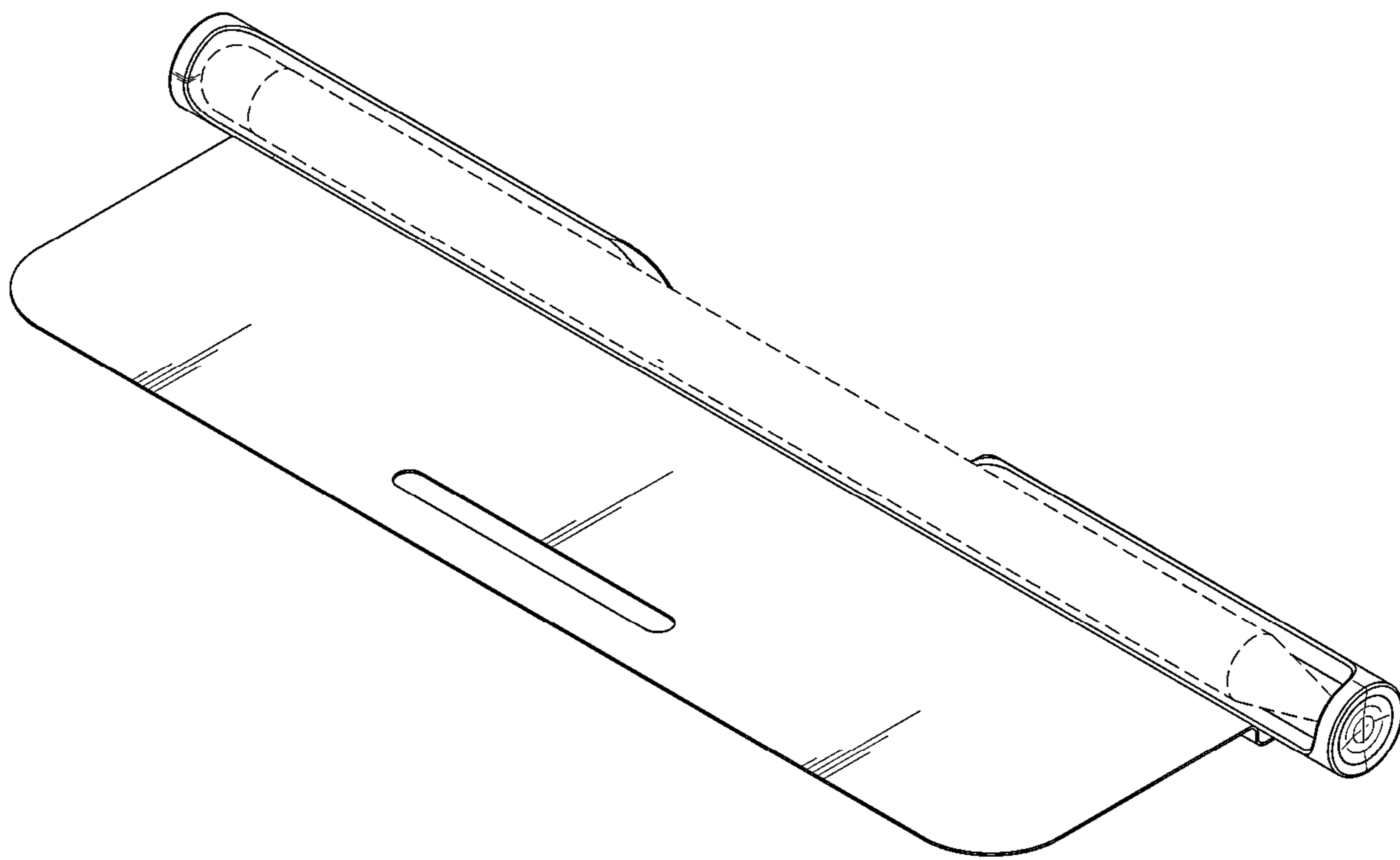


FIG. 10

