



US00D980218S

(12) **United States Design Patent**
Yao et al.

(10) **Patent No.:** **US D980,218 S**
(45) **Date of Patent:** **** Mar. 7, 2023**

(54) **AUXILIARY MONITOR SYSTEM**

(74) *Attorney, Agent, or Firm* — Lando & Anastasi, LLP

(71) Applicant: **MOBILE PIXELS INC.**, Irwindale,
CA (US)

(57) **CLAIM**

The ornamental design for an auxiliary monitor system, as shown and described.

(72) Inventors: **Xiaoliang Yao**, Burlington, MA (US);
Wenglong Ng, Burlington, MA (US)

(73) Assignee: **MOBILE PIXELS INC.**, Irwindale,
CA (US)

DESCRIPTION

(**) Term: **15 Years**

FIG. 1 is a front view of an auxiliary monitor system design in a closed configuration;
FIG. 2 is a right side view thereof;
FIG. 3 is a top front right perspective view thereof;
FIG. 4 is a top plan view thereof;
FIG. 5 is a bottom plan view thereof;
FIG. 6 is a front view of the auxiliary monitor system design of FIG. 1 in an open configuration;
FIG. 7 is a right side view thereof;
FIG. 8 is a top front right perspective view thereof;
FIG. 9 is a top plan view thereof;
FIG. 10 is a bottom plan view thereof;
FIG. 11 is a front view of the auxiliary monitor system design of FIG. 1 in an open pivoted configuration;
FIG. 12 is a right side view thereof;
FIG. 13 is a top front right perspective view thereof;
FIG. 14 is a top plan view thereof;
FIG. 15 is a bottom plan view thereof;
FIG. 16 is a right side view of the auxiliary monitor system design of FIG. 1 in an open pivoted display configuration;
FIG. 17 is a front view thereof;
FIG. 18 is a bottom plan view thereof;
FIG. 19 is a top plan view thereof;
FIG. 20 is a top front right perspective view thereof;
FIG. 21 is a top back right perspective view thereof; and,
FIG. 22 is a back view thereof.

(21) Appl. No.: **29/729,978**

(22) Filed: **Mar. 31, 2020**

(51) **LOC (14) Cl.** **14-02**

(52) **U.S. Cl.**
USPC **D14/373**

(58) **Field of Classification Search**
USPC D14/305, 306, 322, 334, 335, 336, 356,
D14/371, 373, 374, 432, 448, 449, 450,
(Continued)

(56) **References Cited**

U.S. PATENT DOCUMENTS

6,532,146 B1 * 3/2003 Duquette G06F 1/1607
361/679.04
D761,800 S * 7/2016 Muller D14/448
(Continued)

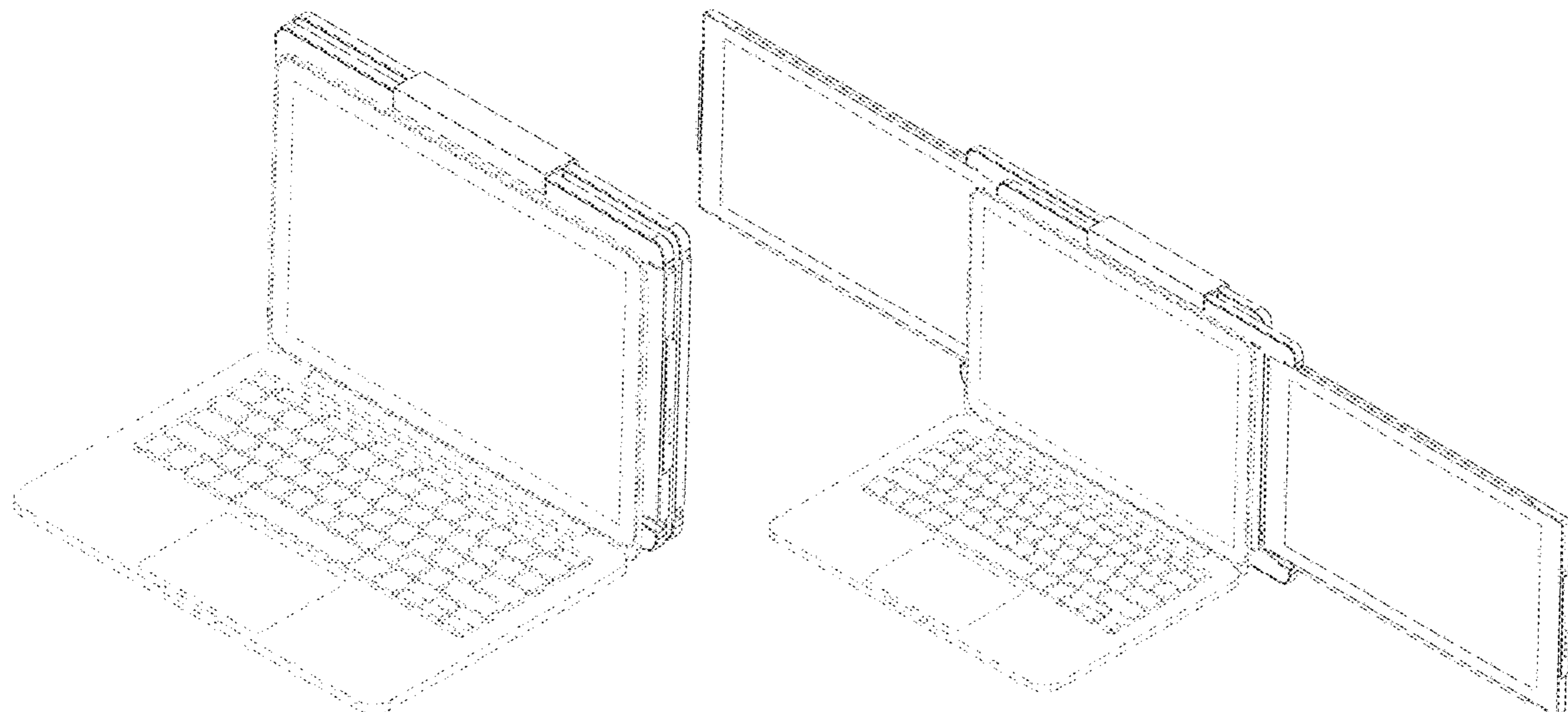
OTHER PUBLICATIONS

Yao Xiaoliang, CN Design No. 305087700, published at Orbit, publication date Mar. 29, 2019. Site visited Dec. 27, 2021. Available from internet. (Year: 2019).*

(Continued)

Primary Examiner — Kathleen L Jones
Assistant Examiner — Cole Sanders Holman

1 Claim, 22 Drawing Sheets



(58) **Field of Classification Search**

USPC D14/451, 307, 315, 316, 375, 376, 377,
 D14/378, 379, 380, 452, 127, 132, 217,
 D14/339, 340, 239, 129
 CPC G06F 1/1616; G06F 1/1649; G06F 1/1683;
 G06F 1/162; G06F 1/1647; G06F 1/1641;
 G06F 1/1637; G06F 1/1624; G06F
 1/1615; G06F 1/1601; G06F 1/1643;
 G06F 1/1654; G06F 1/181; G06F 1/1684;
 G06F 1/1692; G06F 3/0338; G06F
 3/0412; G06F 3/0488; G06F 3/038; G06F
 3/0202

See application file for complete search history.

(56) **References Cited**

U.S. PATENT DOCUMENTS

10,082,832 B1 * 9/2018 Wang G06F 1/1616
 10,817,020 B1 * 10/2020 DeMaio G06F 3/1423
 D924,881 S * 7/2021 Chen D14/451
 D929,987 S * 9/2021 Lin D14/316

D938,436 S * 12/2021 Gu D14/448
 2006/0268500 A1 * 11/2006 Kuhn G06F 1/1616
 361/679.04
 2008/0136973 A1 * 6/2008 Park G06F 1/1686
 348/744
 2012/0200991 A1 * 8/2012 Ryu G06F 1/1652
 361/679.01
 2020/0278722 A1 * 9/2020 Hudgins H05K 5/0247

OTHER PUBLICATIONS

Mobile Pixels Duex and Trio double and triple display for laptops.
 Mobile Pixels, youtube.com (online) 8 pages. Posted May 10, 2019.
 [Retrieved Dec. 27, 2021] <https://www.youtube.com/watch?v=yQd39CiWnWY> (Year: 2019).*

Trio: the-on-the-go dual and triple screen laptop monitor. Mobile
 Pixels, kickstarter.com (online) 42 pages. Posted Jun. 2019. [Retrieved
 Dec. 27, 2021] [https://www.kickstarter.com/projects/747287659/
 trio-the-on-the-go-dual-and-triple-screen-laptop-monitor/
 description](https://www.kickstarter.com/projects/747287659/trio-the-on-the-go-dual-and-triple-screen-laptop-monitor/description) (Year: 2019).*

* cited by examiner

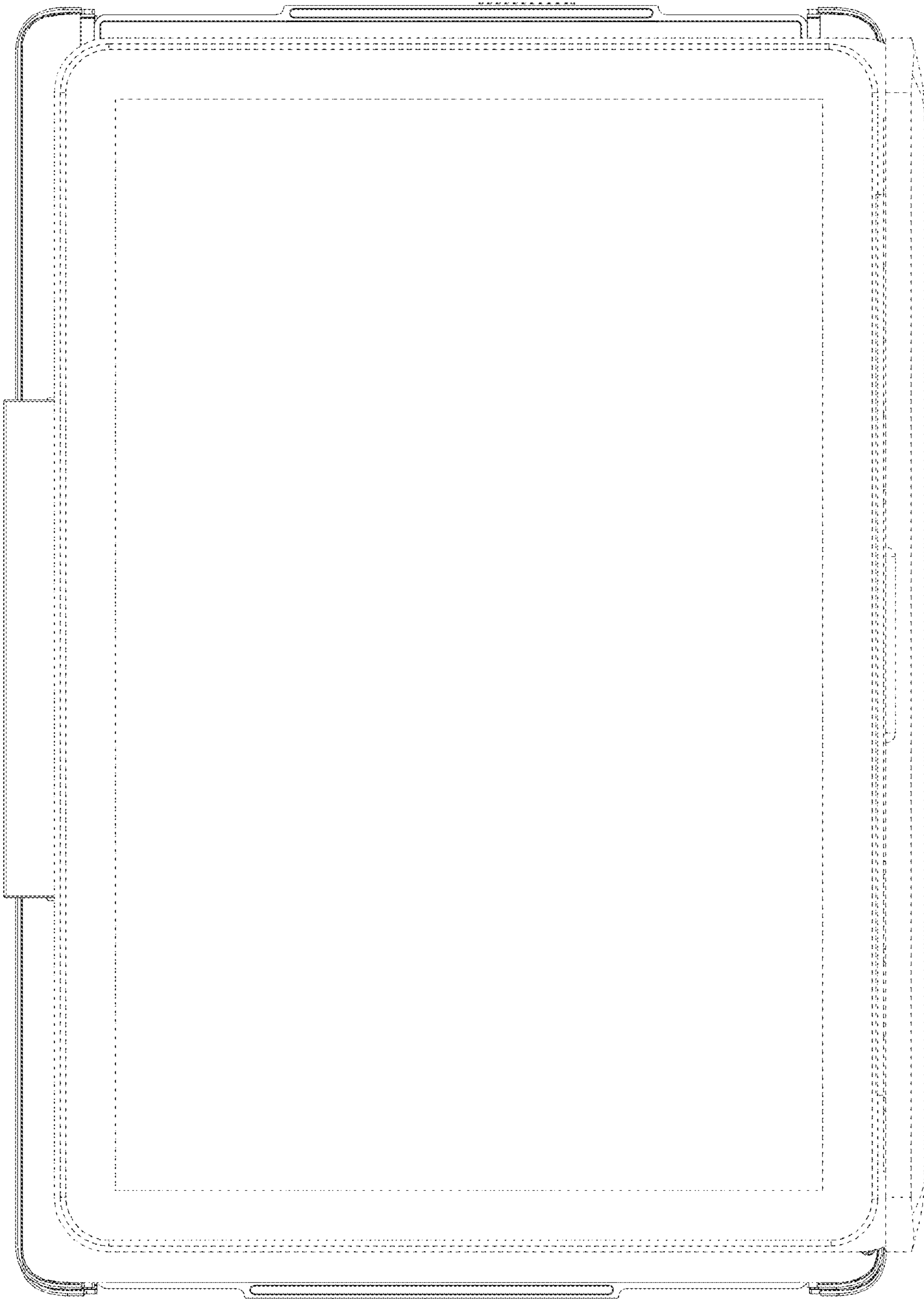


FIG. 1

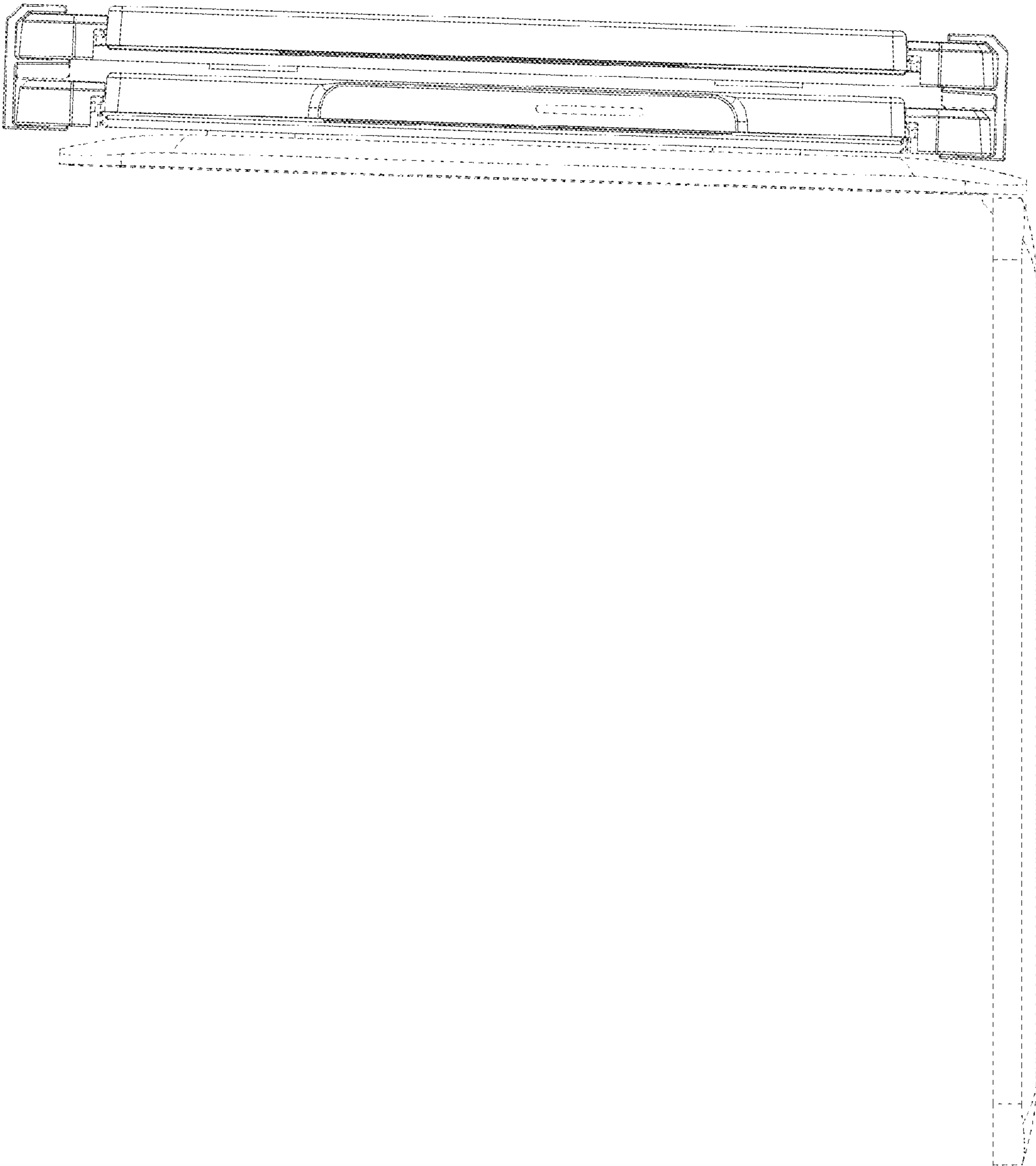


FIG. 2

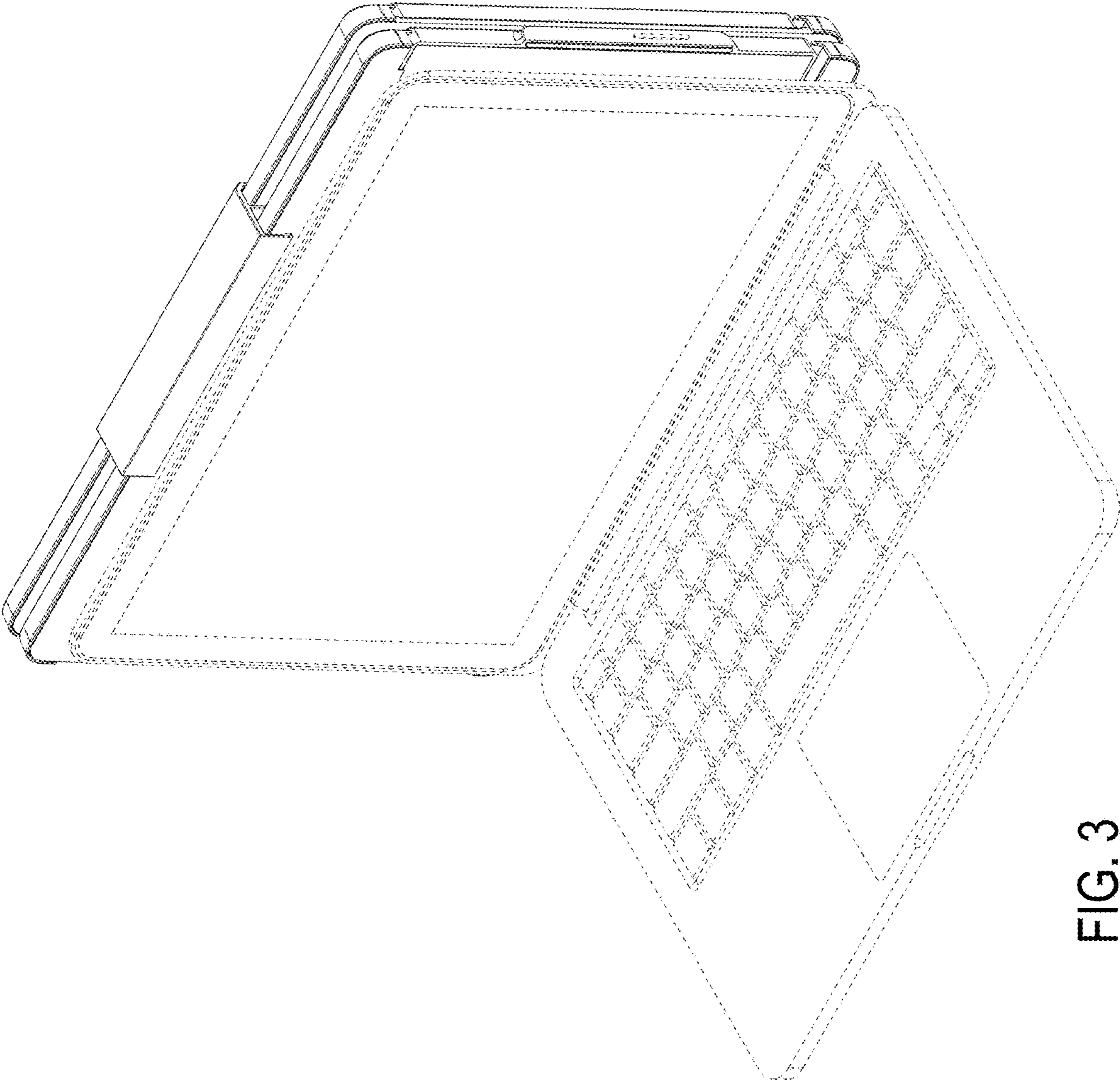


FIG. 3

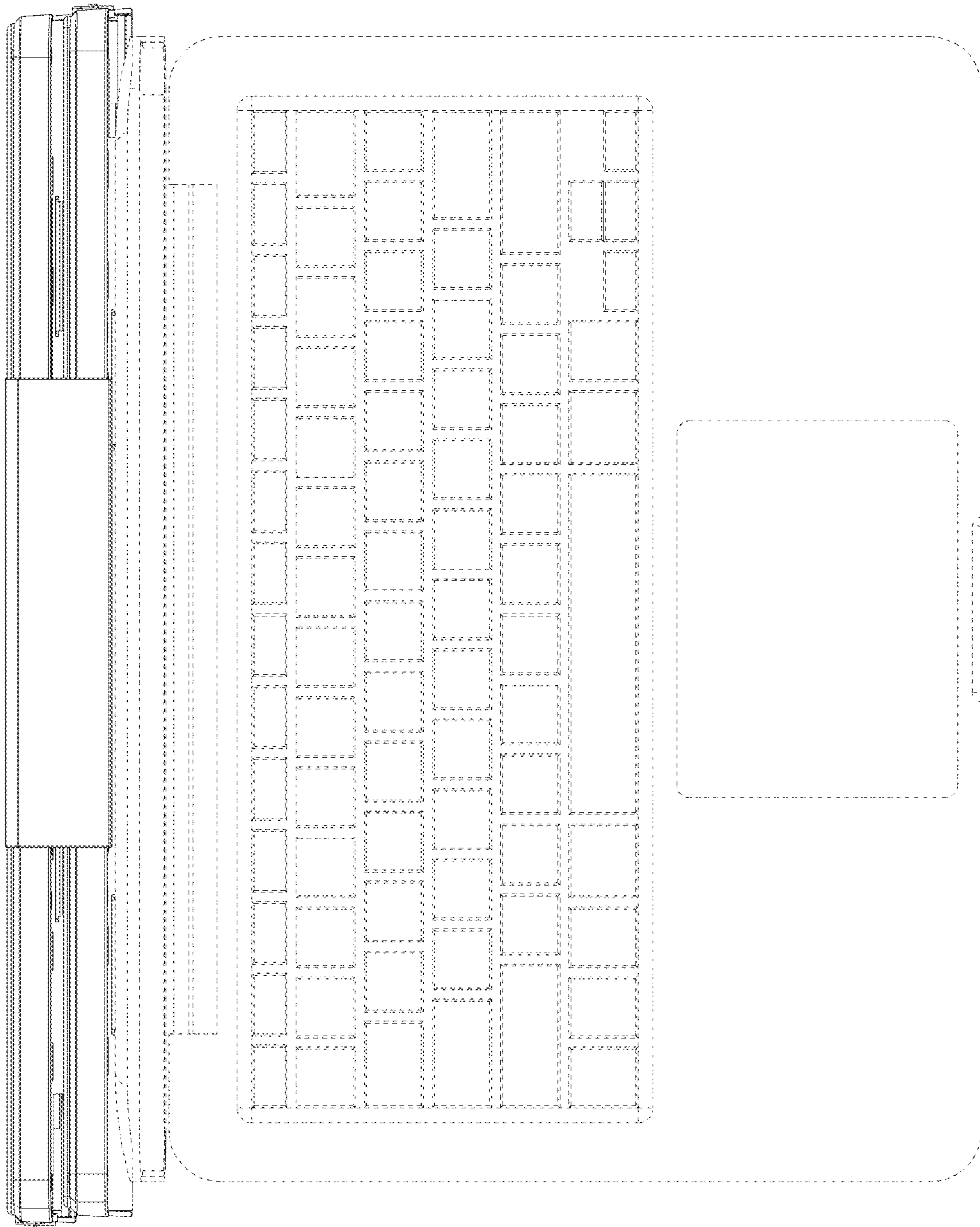


FIG. 4

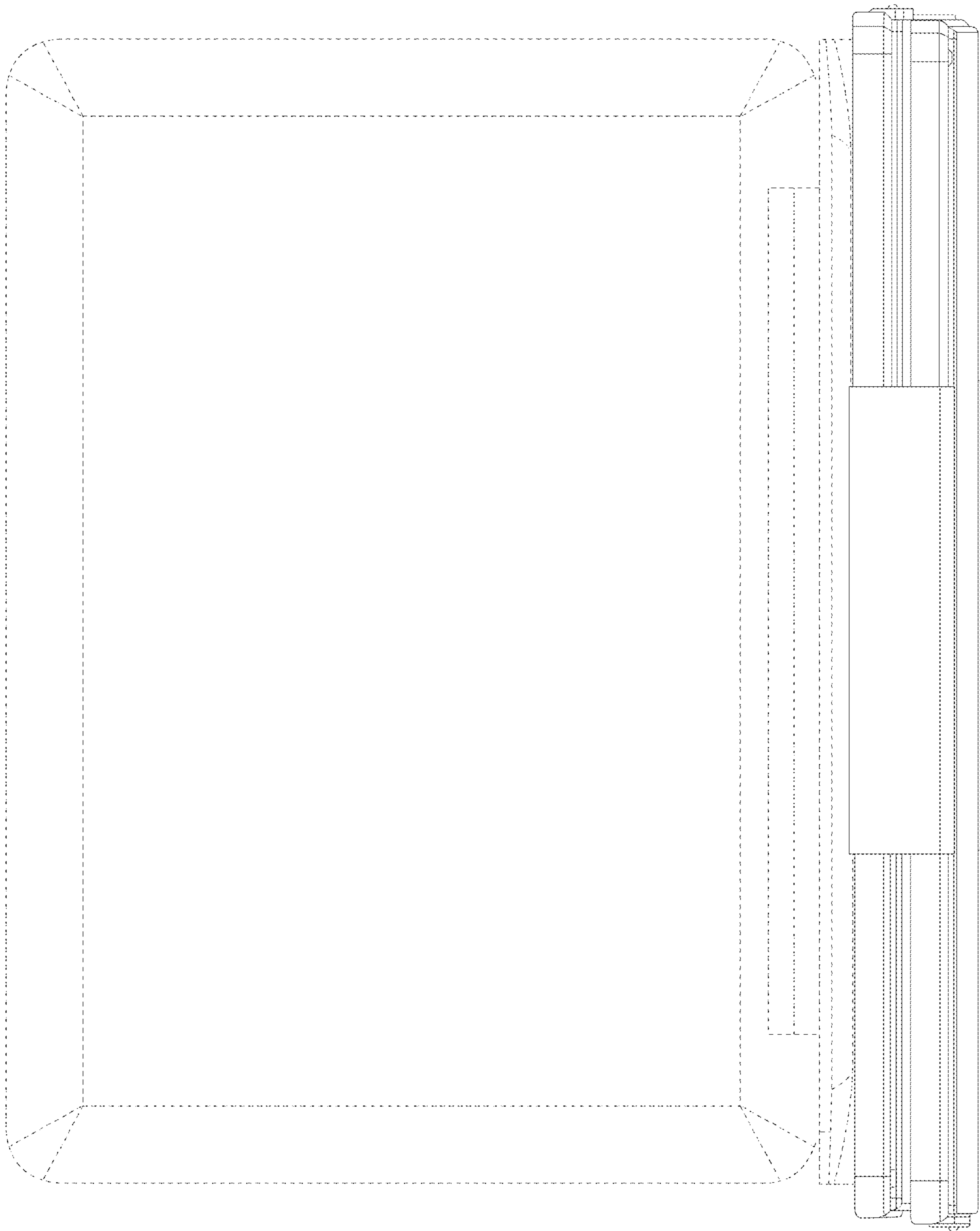


FIG. 5

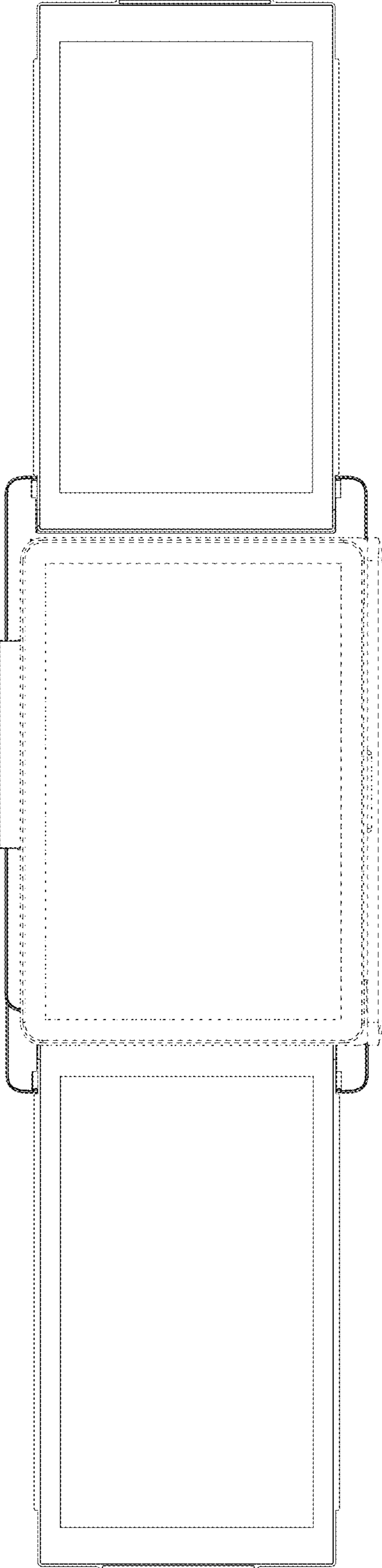


FIG. 6

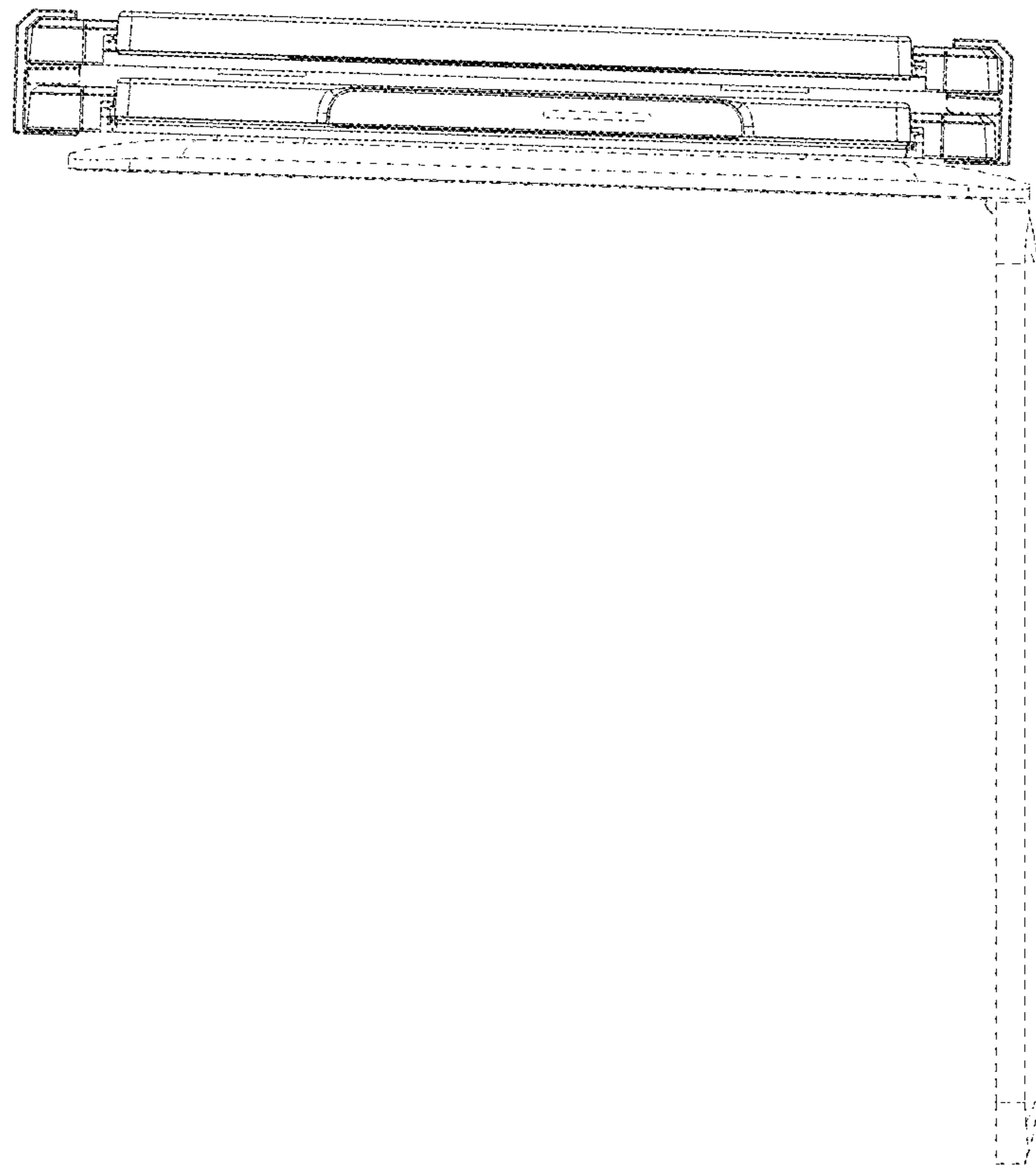


FIG. 7

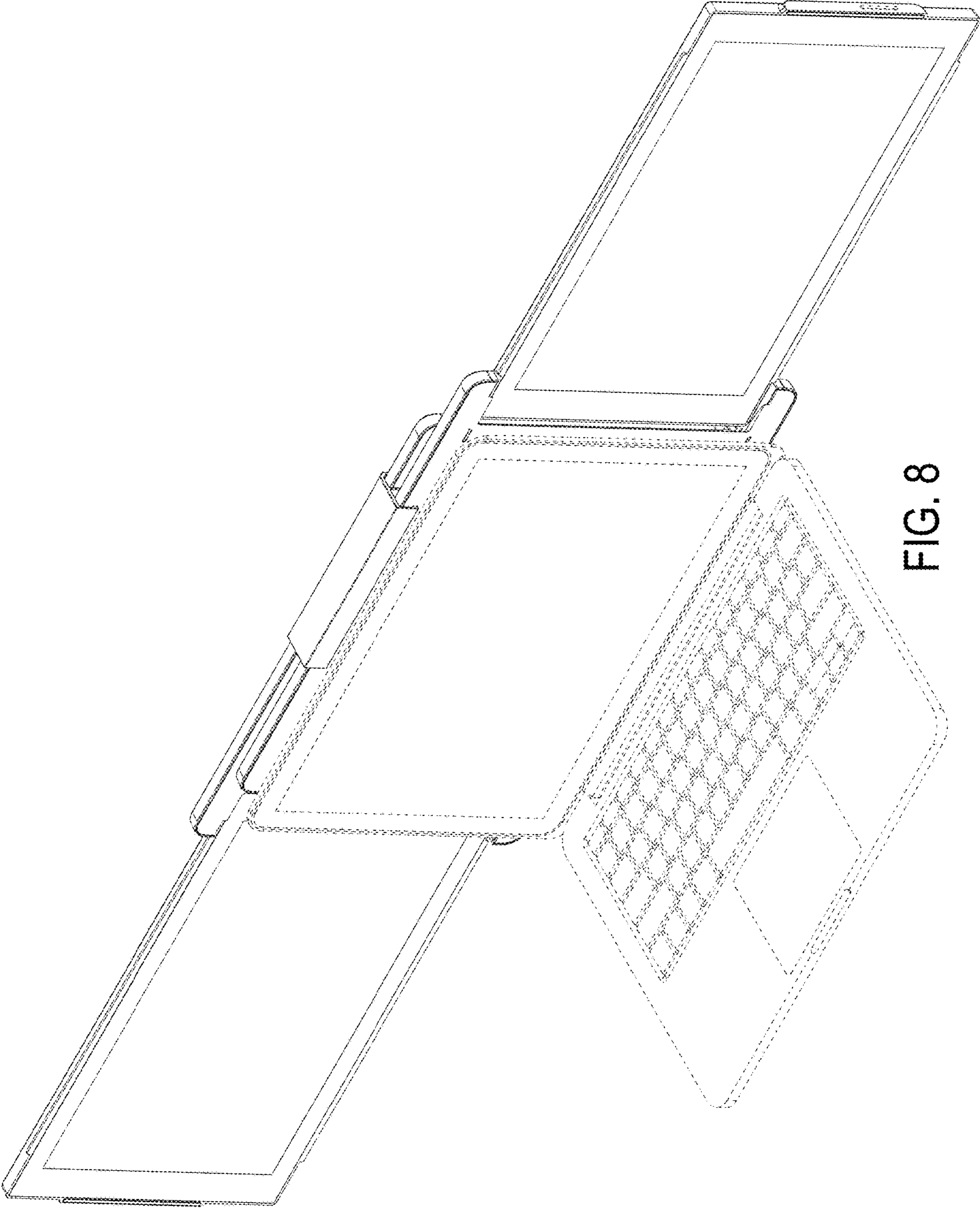


FIG. 8

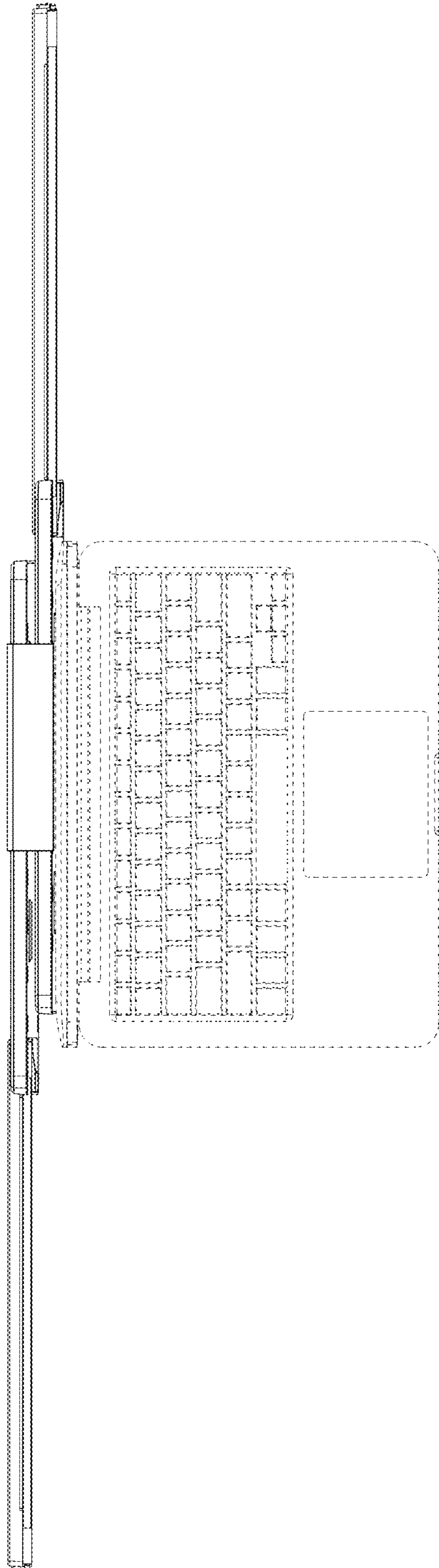


FIG. 9

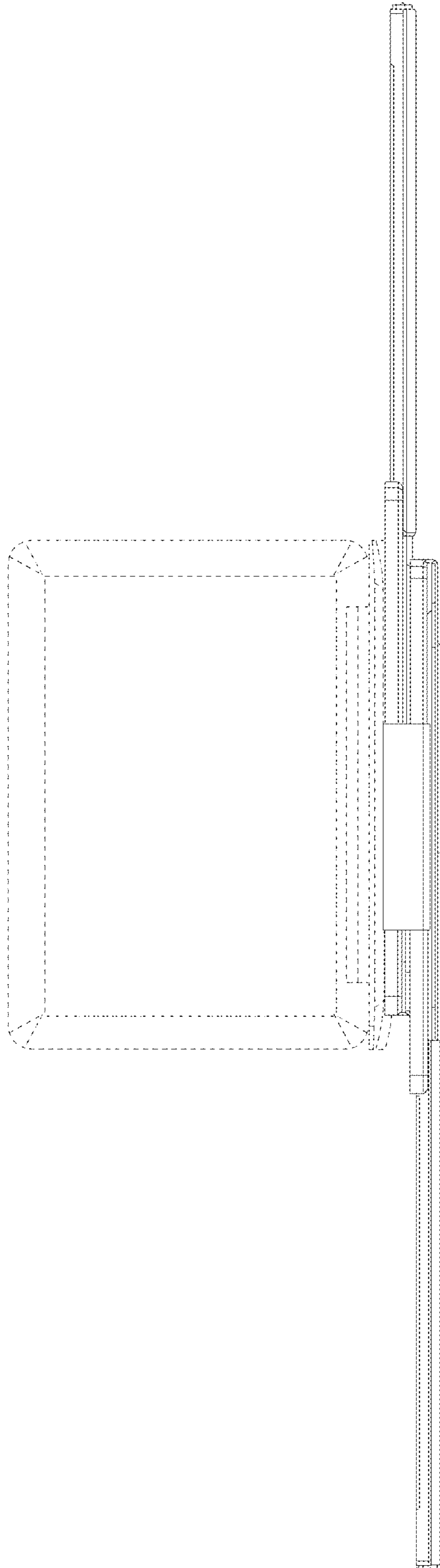


FIG. 10

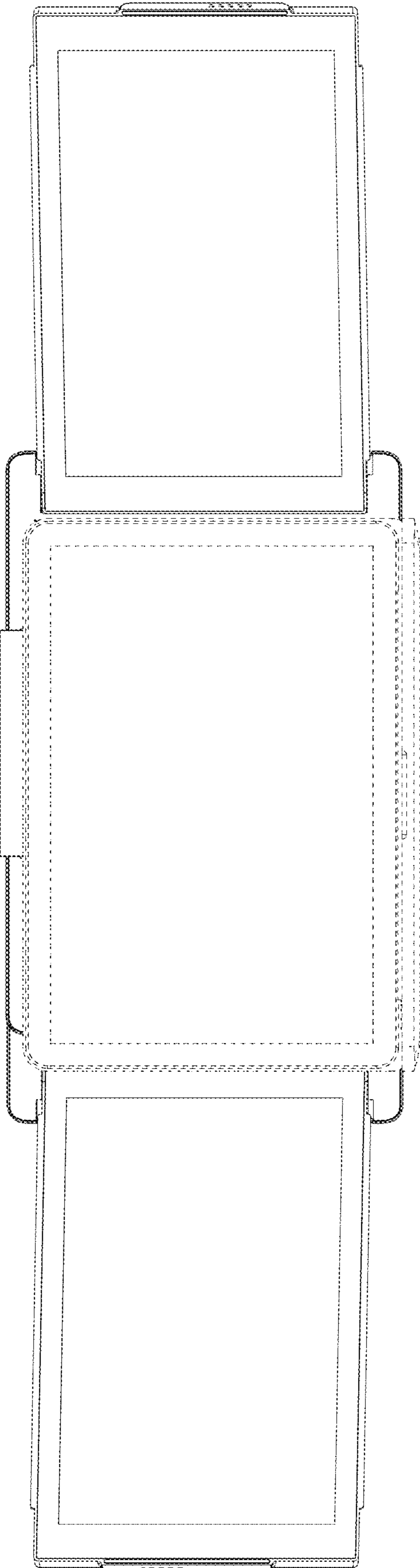


FIG. 11

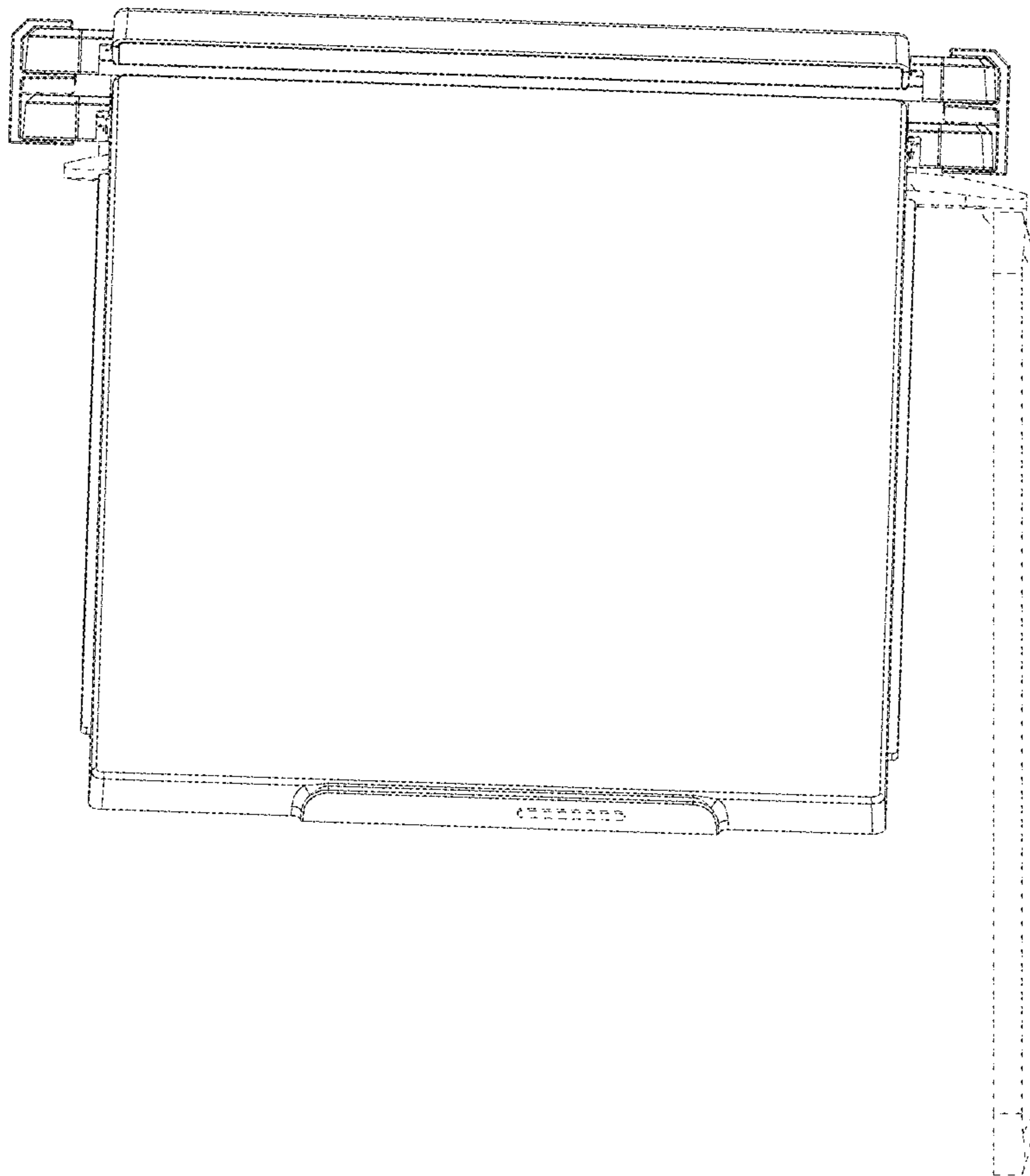


FIG. 12

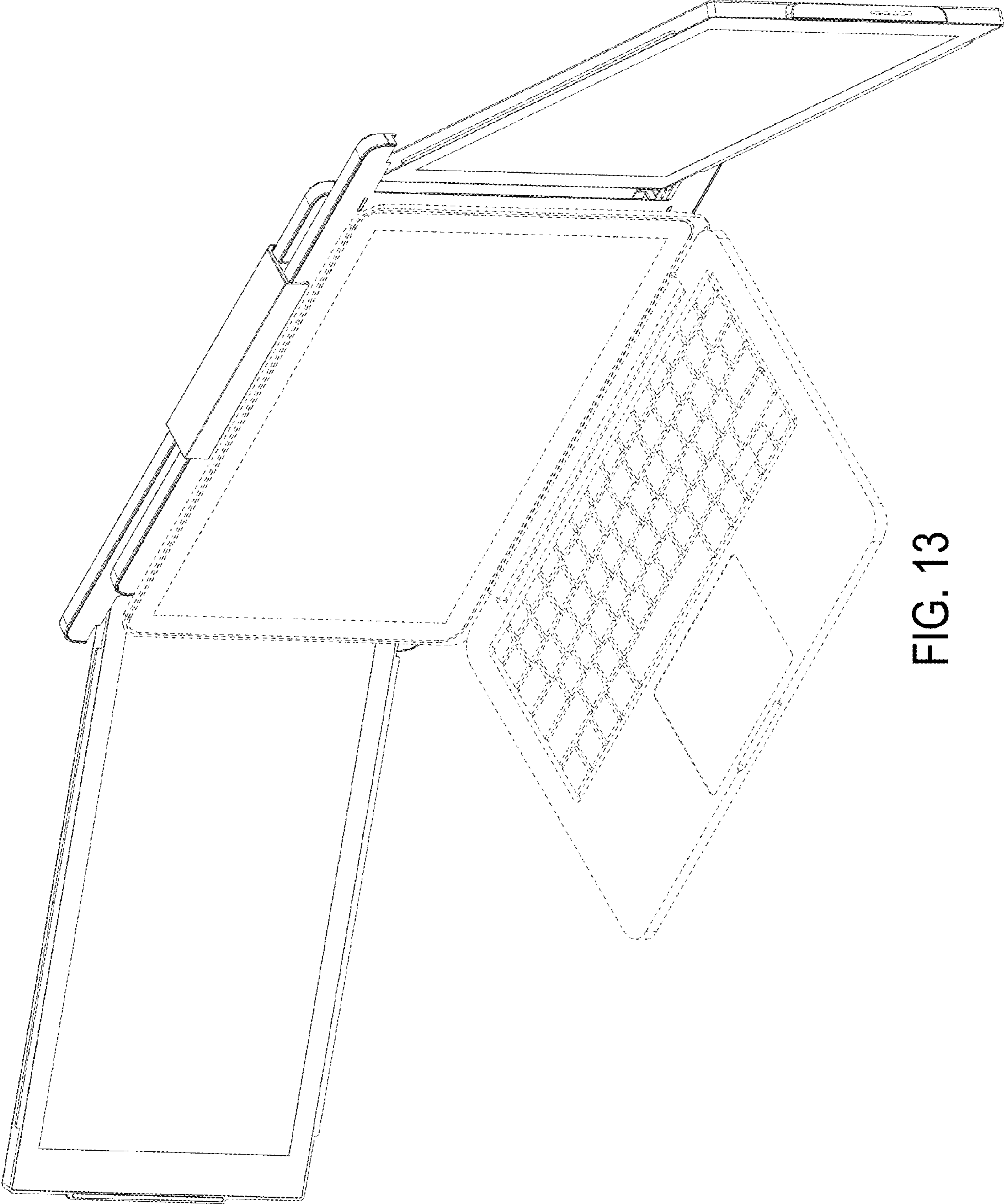


FIG. 13

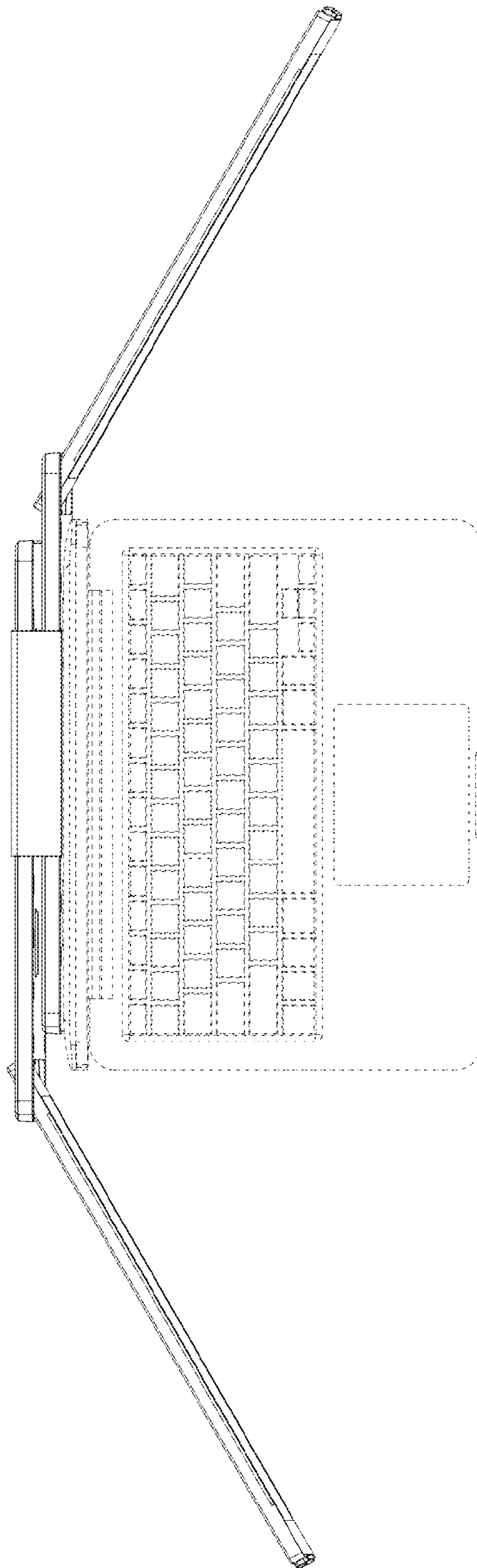


FIG. 14

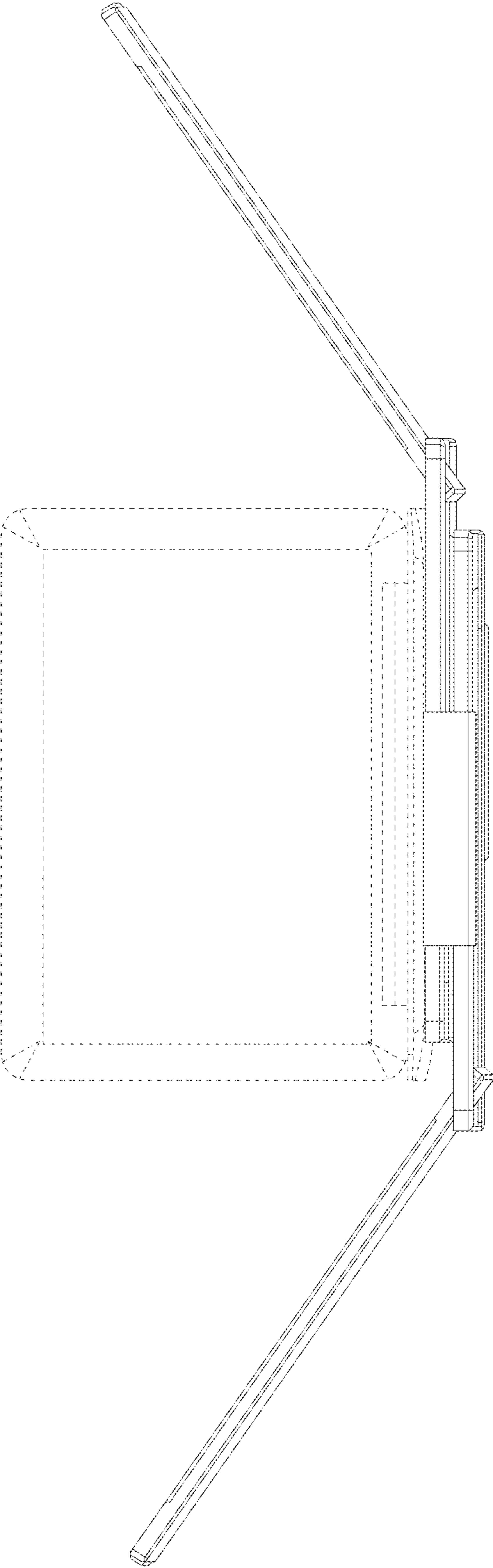


FIG. 15

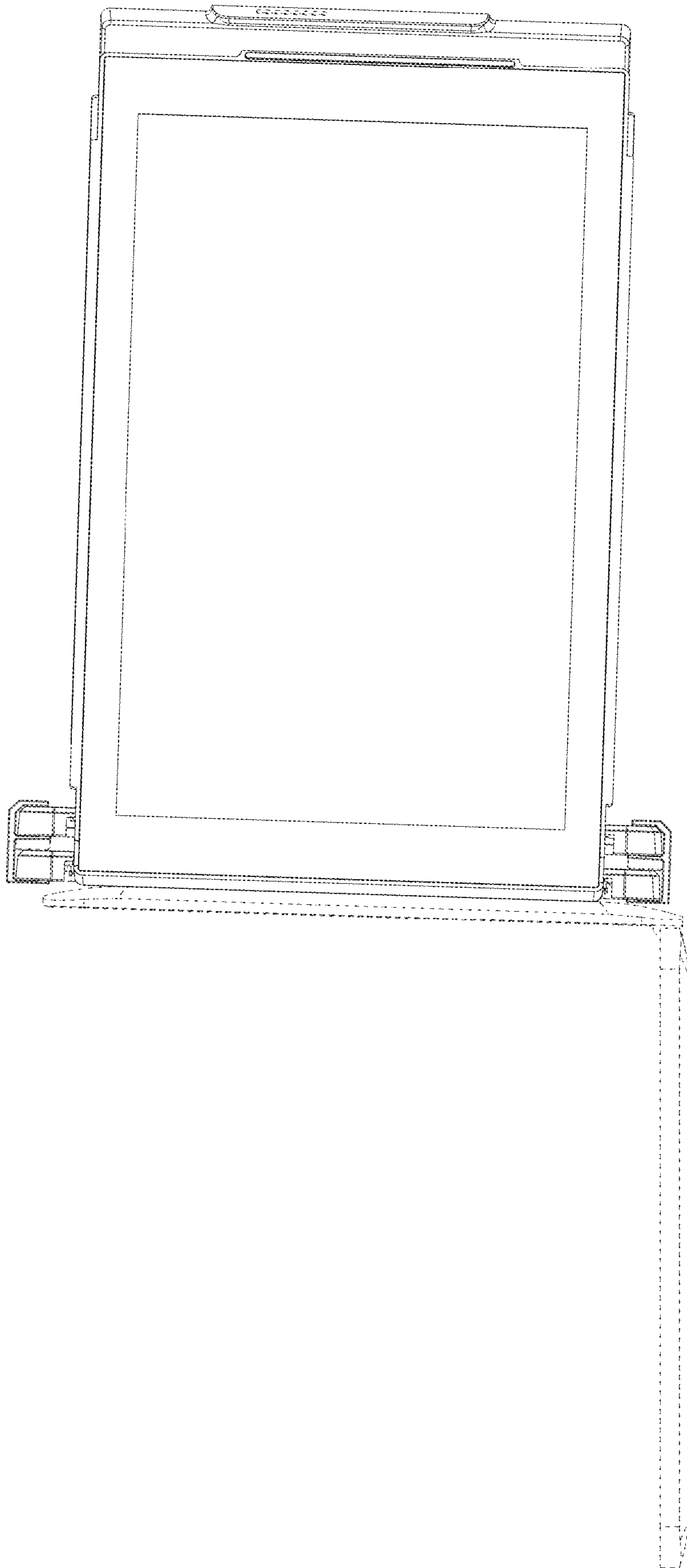


FIG. 16

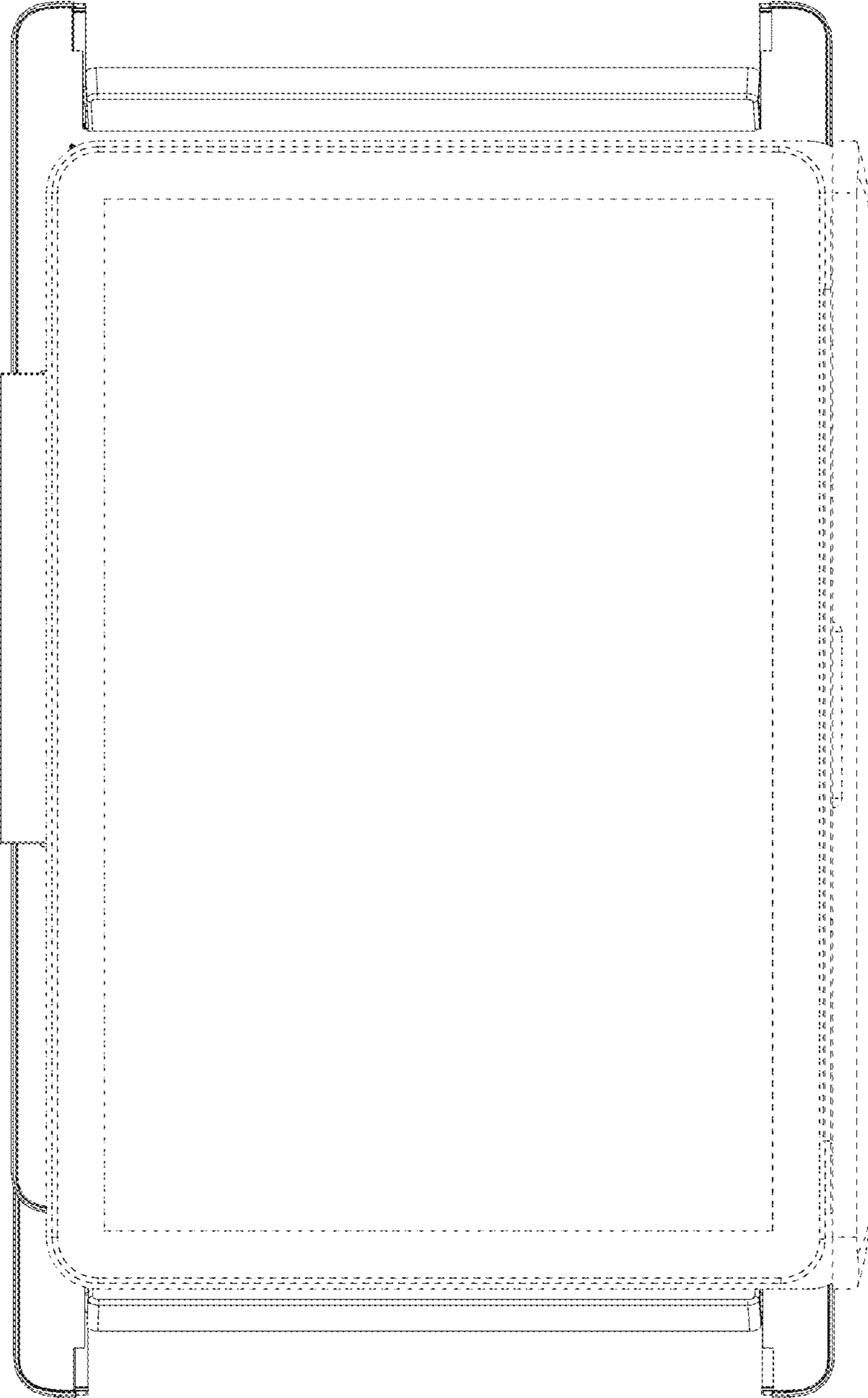


FIG. 17

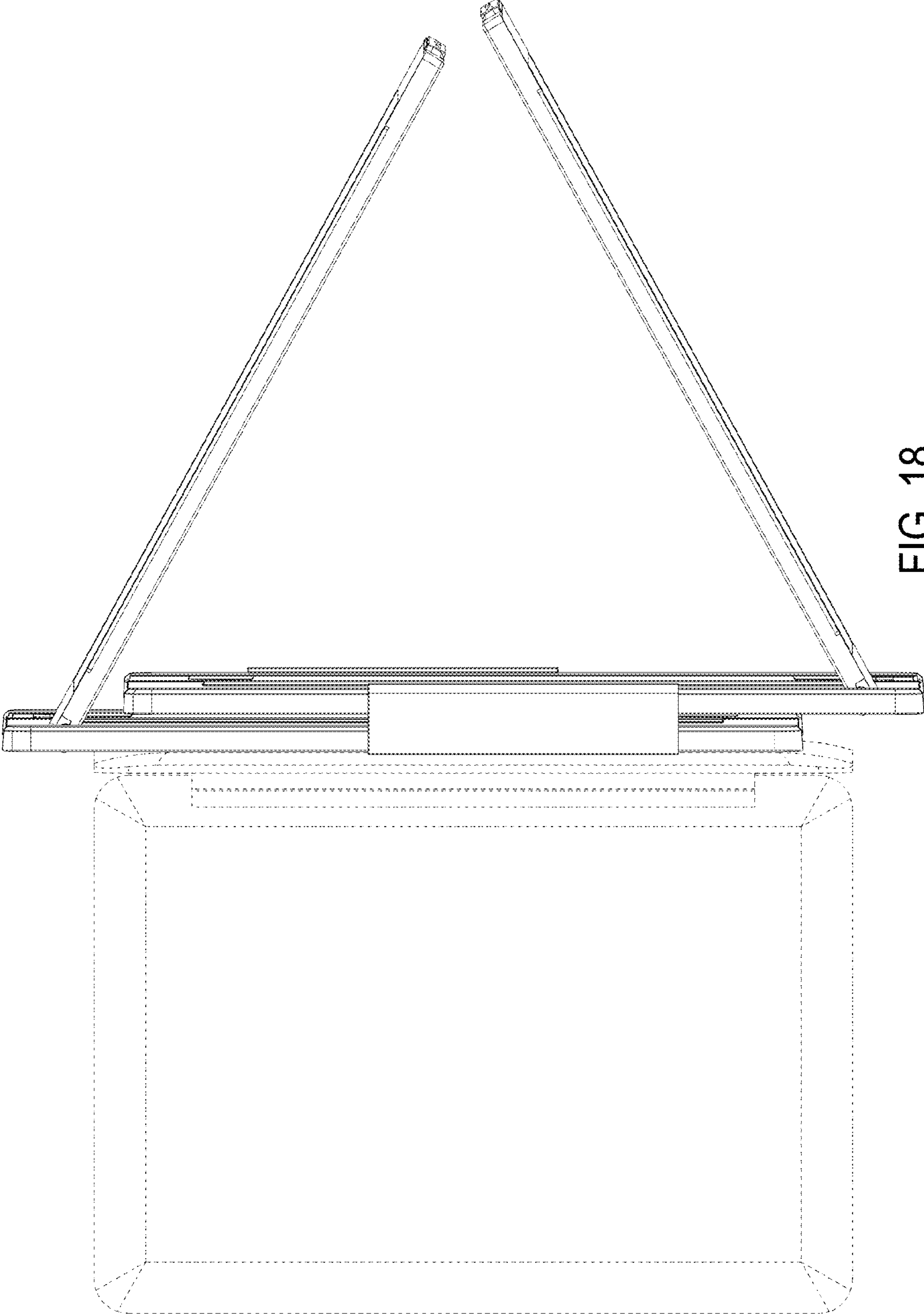


FIG. 18

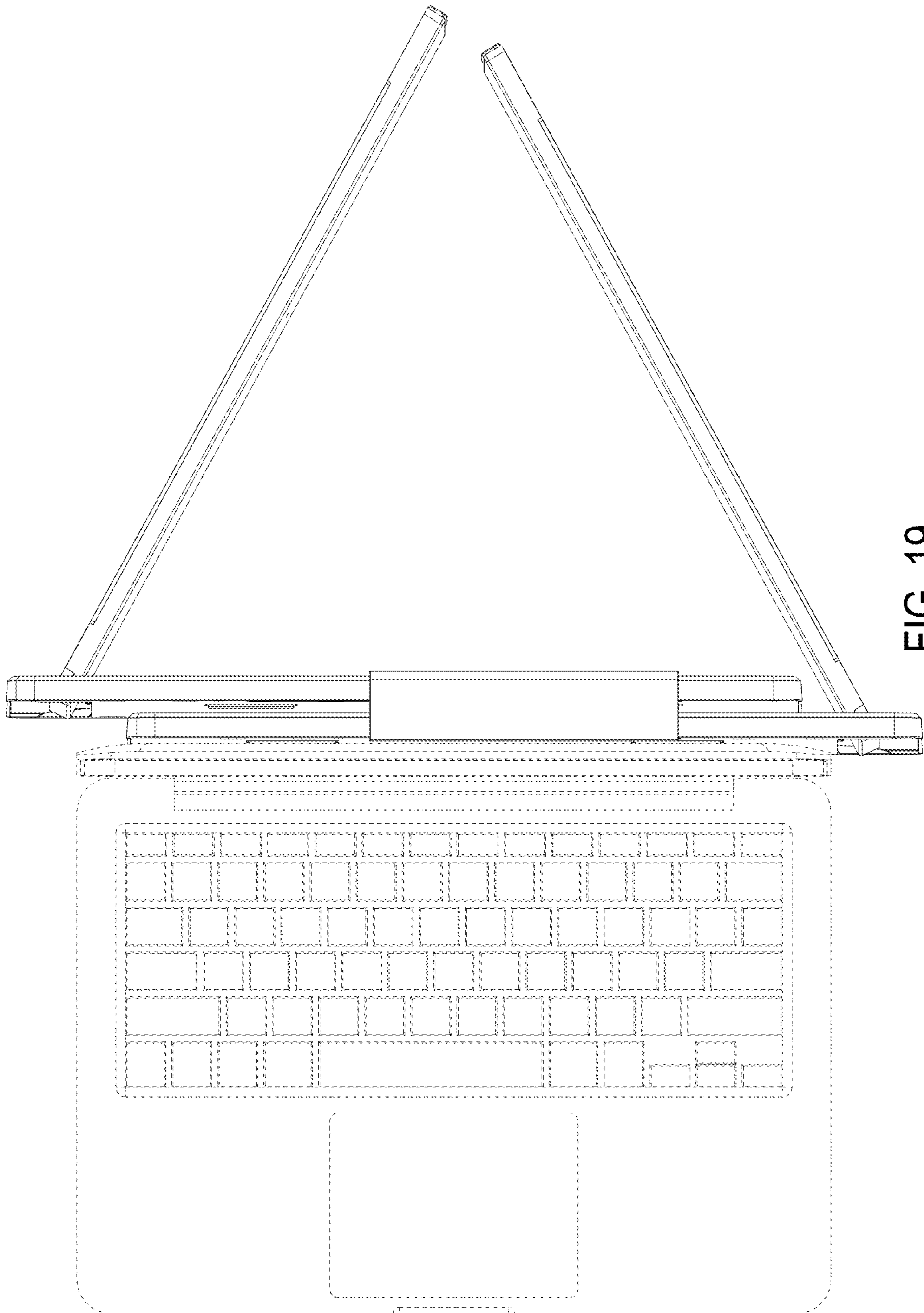


FIG. 19

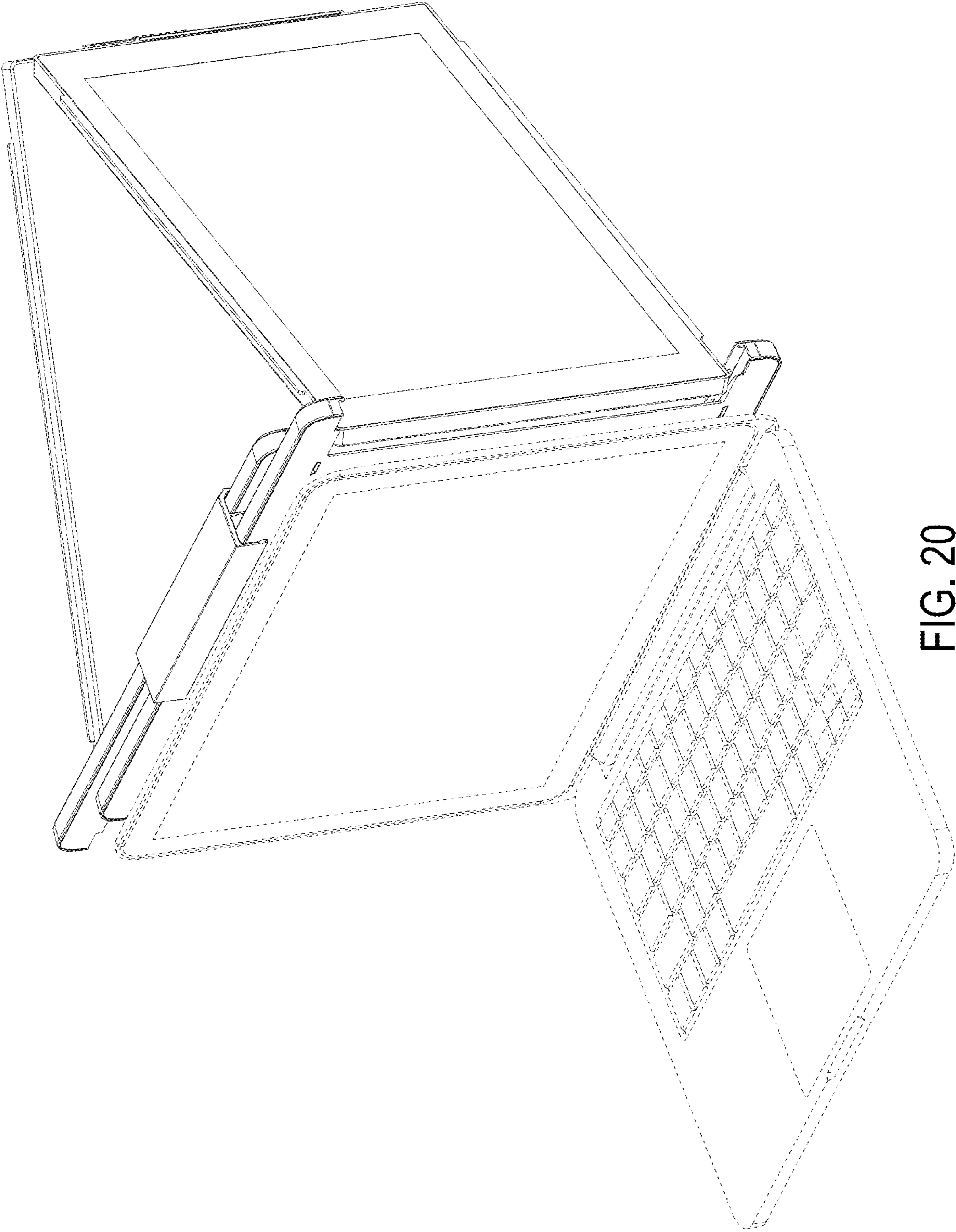


FIG. 20

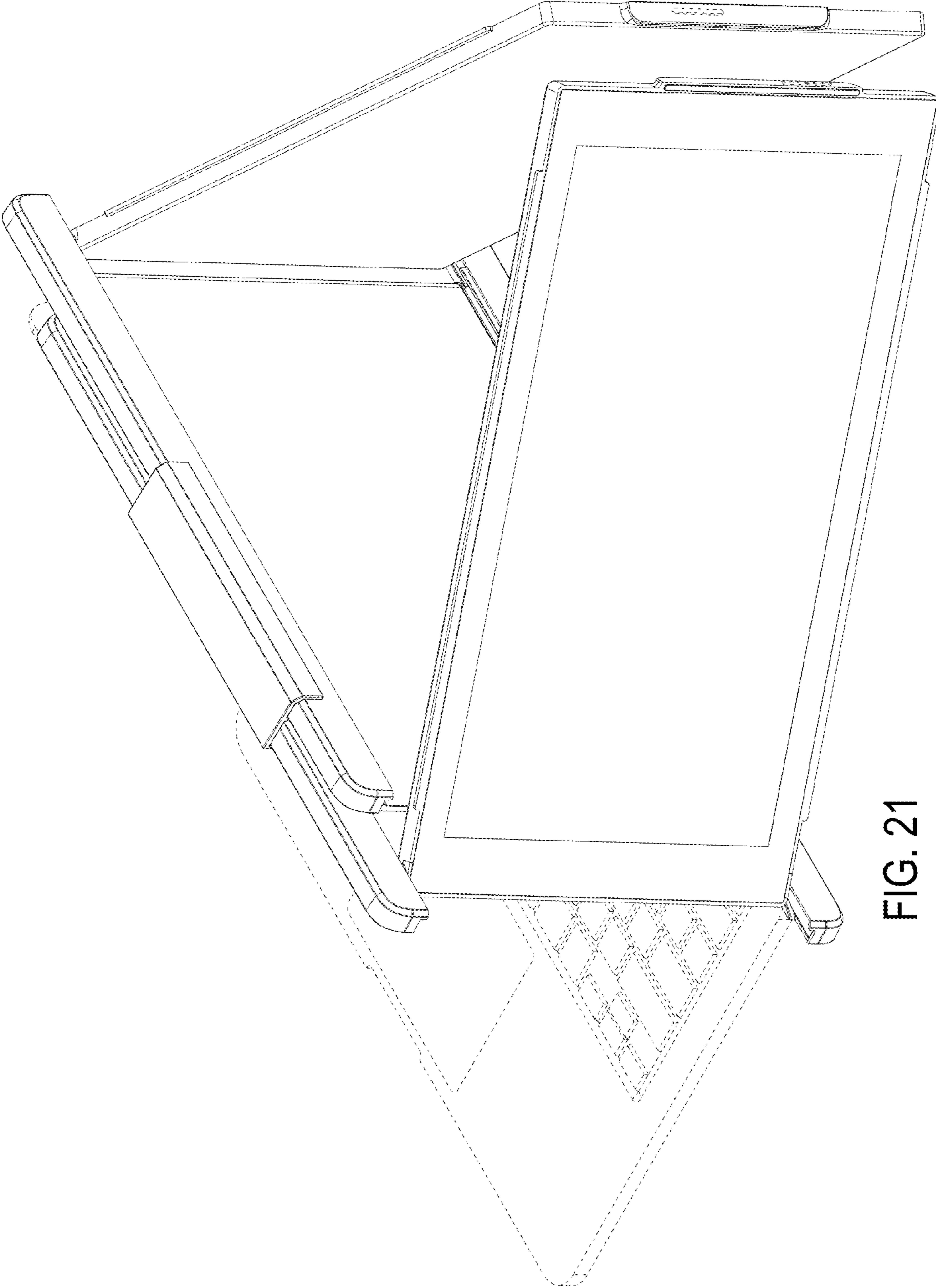


FIG. 21

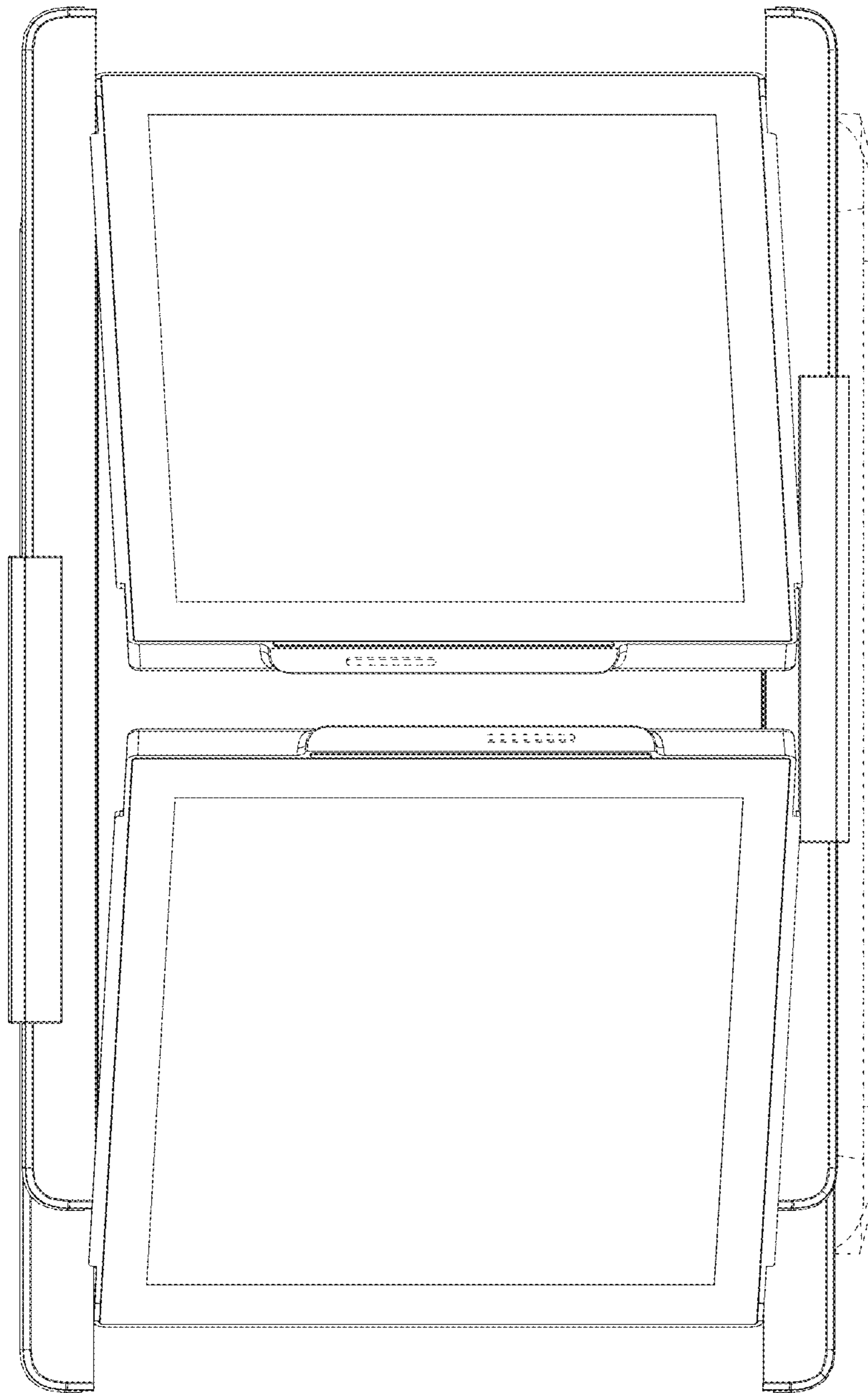


FIG. 22