



US00D980217S

(12) **United States Design Patent** (10) **Patent No.:** **US D980,217 S**  
**Roig et al.** (45) **Date of Patent:** **\*\* Mar. 7, 2023**

(54) **HEADSET STRAP**

- (71) Applicant: **Meta Platforms Technologies, LLC**, Menlo Park, CA (US)
- (72) Inventors: **Enric Vial Roig**, Seattle, WA (US); **Mauricio Romano**, Redmond, WA (US); **David Michael Pickett**, Seattle, WA (US); **Peter Allan Chase Newbury**, Burlington, WA (US); **Quintin Morris**, Seattle, WA (US); **Peter Wesley Bristol**, Seattle, WA (US); **Joseph Patrick Sullivan**, Seattle, WA (US); **Glen Jason Tompkins**, Woodinville, WA (US); **Joel Bernard Jacobs**, Seattle, WA (US)
- (73) Assignee: **Meta Platforms Technologies, LLC**, Menlo Park, CA (US)

- (\*\*) Term: **15 Years**
- (21) Appl. No.: **29/843,774**
- (22) Filed: **Jun. 23, 2022**

**Related U.S. Application Data**

- (63) Continuation of application No. 29/826,006, filed on Feb. 8, 2022, now Pat. No. Des. 957,391, which is a continuation of application No. 29/754,282, filed on Oct. 8, 2020, now abandoned.
- (51) **LOC (14) Cl.** ..... **14-02**
- (52) **U.S. Cl.**  
USPC ..... **D14/372**
- (58) **Field of Classification Search**  
USPC ..... D14/372, 496, 432, 371, 125, 126, 129, D14/299; D16/300-342; 351/158, 153, 351/144; 345/7-9, 905; 455/344; 348/115, 53, 121, 739  
CPC ..... G02B 27/017; G02B 27/0158; G02B 27/0161; G02B 27/0181; G02B 27/0185; G02B 27/0189  
See application file for complete search history.

(56) **References Cited**

U.S. PATENT DOCUMENTS

- 3,892,792 A 7/1975 Yankee
  - 3,893,478 A 7/1975 Peters
  - D398,403 S 9/1998 Bishop et al.
- (Continued)

FOREIGN PATENT DOCUMENTS

- EP 2937005 B1 1/2018
- WO 2020021951 A1 1/2020

OTHER PUBLICATIONS

Barreiros J., et al., "Fabric Reinforced Soft Actuators," U.S. Appl. No. 17/111,549, filed Dec. 4, 2020, 71 pages.  
(Continued)

*Primary Examiner* — Austin Murphy  
(74) *Attorney, Agent, or Firm* — Greenberg Traurig, LLP

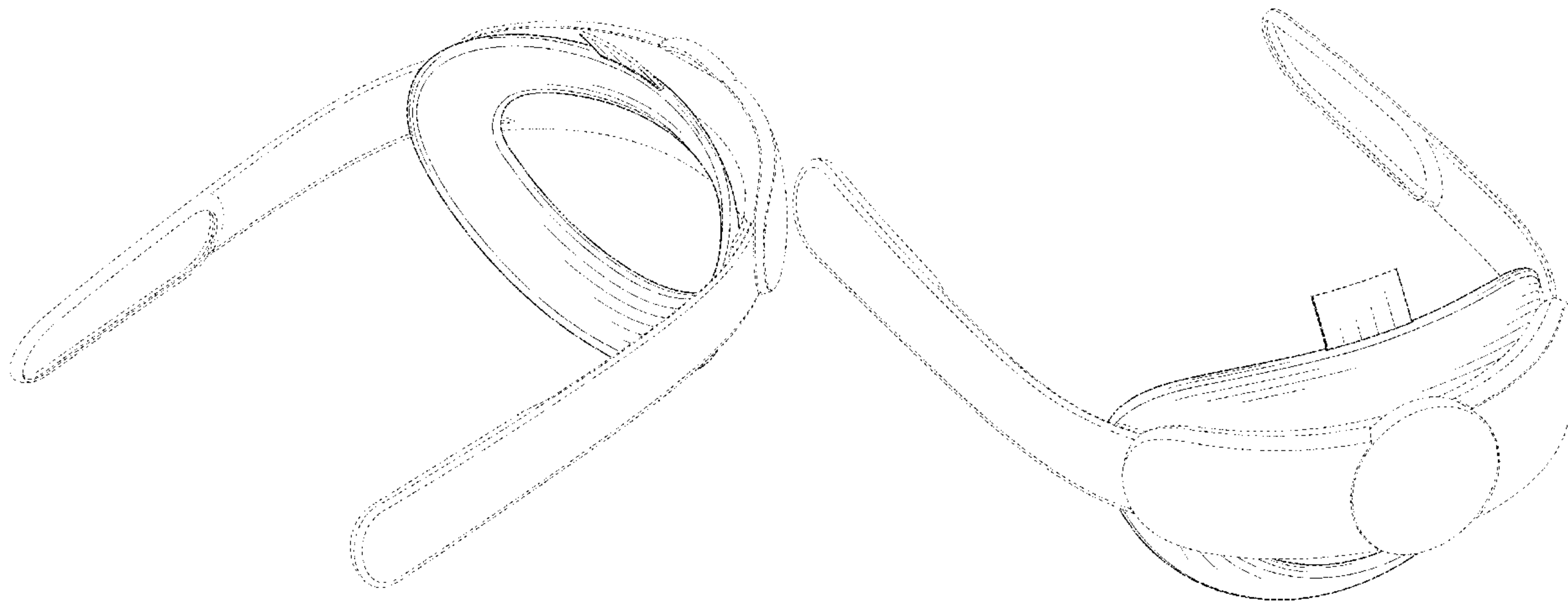
(57) **CLAIM**

The ornamental design for a headset strap, as shown and described.

**DESCRIPTION**

FIG. 1 is a front perspective view of a headset strap showing the claimed design;  
FIG. 2 is a rear perspective view thereof;  
FIG. 3 is a front view thereof;  
FIG. 4 is a rear view thereof;  
FIG. 5 is a top view thereof;  
FIG. 6 is a bottom view thereof;  
FIG. 7 is a left side view thereof; and,  
FIG. 8 is a right side view thereof.  
The broken lines shown in the figures illustrate portions of the headset strap that form no part of the claimed design.

**1 Claim, 7 Drawing Sheets**



(56)

References Cited

U.S. PATENT DOCUMENTS

9,385,396 B2 7/2016 Goh et al.  
D764,467 S \* 8/2016 Nokuo ..... D14/372  
D778,909 S 2/2017 Nokuo  
D780,753 S 3/2017 Park et al.  
D809,517 S 2/2018 Sakata et al.  
D819,716 S \* 6/2018 Kim ..... D16/208  
D823,855 S 7/2018 Robertson et al.  
D827,642 S 9/2018 Liu et al.  
D829,208 S \* 9/2018 Dallmeyer ..... D14/372  
D834,016 S 11/2018 Raffle et al.  
10,146,262 B1 12/2018 Magrath et al.  
D838,719 S 1/2019 Wei et al.  
10,297,868 B2 5/2019 Choi et al.  
D857,694 S \* 8/2019 Natsume ..... D14/372  
D859,407 S \* 9/2019 Natsume ..... D14/372  
D861,680 S 10/2019 Chou et al.  
D863,300 S 10/2019 Boger et al.  
D865,764 S 11/2019 Miller et al.  
D867,362 S 11/2019 Chou et al.  
D869,464 S 12/2019 Chang et al.  
D870,977 S 12/2019 Berggren et al.  
D872,079 S 1/2020 Huang et al.  
D875,093 S 2/2020 Park  
D875,094 S 2/2020 Miller et al.  
D882,568 S 4/2020 Park  
D882,569 S 4/2020 Tsao  
D883,280 S 5/2020 Shao et al.  
D885,383 S 5/2020 Chang et al.  
10,663,737 B1 5/2020 Magrath et al.  
D889,464 S \* 7/2020 Wang ..... D14/372  
D892,792 S 8/2020 Miller et al.  
D893,478 S 8/2020 Watanabe et al.  
D896,221 S 9/2020 Lee et al.  
D898,025 S \* 10/2020 Bhat ..... D14/372  
D898,738 S 10/2020 Denhez et al.  
D900,095 S 10/2020 Wang et al.  
D900,099 S 10/2020 Park  
D900,435 S 11/2020 Huang et al.  
D904,402 S 12/2020 Marquis et al.  
D905,055 S 12/2020 Shao et al.  
D910,014 S 2/2021 Amijo et al.  
D910,015 S 2/2021 Amijo et al.  
D910,018 S 2/2021 Amijo et al.  
D912,048 S 3/2021 Wei et al.  
D916,086 S 4/2021 Zhang et al.  
D916,702 S 4/2021 Newsom et al.  
D917,476 S 4/2021 Zhang et al.  
D918,203 S 5/2021 Chen  
D918,864 S 5/2021 Bulte et al.  
D918,904 S 5/2021 Jackson et al.  
D920,974 S 6/2021 Chi

D924,234 S 7/2021 Meng  
D925,528 S 7/2021 Bristol et al.  
D925,529 S 7/2021 Morris et al.  
D925,530 S 7/2021 Morris et al.  
D926,757 S 8/2021 Wang  
D927,785 S 8/2021 Wu  
D928,151 S \* 8/2021 Hu ..... D14/372  
D929,401 S 8/2021 Chiang et al.  
D929,402 S 8/2021 Jiang  
D931,277 S 9/2021 Denhez et al.  
D931,278 S 9/2021 Pombo et al.  
D932,488 S 10/2021 Huang  
D937,262 S 11/2021 Chi  
D939,017 S 12/2021 Liang  
D943,575 S 2/2022 Conlee, IV et al.  
D951,961 S 5/2022 Natsume et al.  
D953,328 S \* 5/2022 Forsland ..... D14/372  
D957,391 S \* 7/2022 Roig ..... D14/372  
D959,427 S \* 8/2022 Zhu ..... D14/372  
2012/0297520 A1 11/2012 Gleason et al.  
2017/0238643 A1 8/2017 Pereira et al.  
2018/0042330 A1 2/2018 Wu  
2018/0335632 A1 11/2018 Cho et al.  
2019/0339736 A1 11/2019 Chang et al.

OTHER PUBLICATIONS

Flores J.A.B., et al., "Fabric Reinforced Soft Actuators," U.S. Appl. No. 63/050,310, filed Jul. 10, 2020, 56 pages.  
Howard J., et al., "Curved Batteries, Devices, and Accessories," U.S. Appl. No. 62/901,082, filed Sep. 16, 2019, 75 pages.  
Howard J., et al., "Curved Battery-Pack Devices and Accessories," U.S. Appl. No. 16/818,614, filed Mar. 13, 2020, 117 pages.  
Howard J., et al., "Non-Uniformly Curved Batteries," U.S. Appl. No. 16/818,611, filed Mar. 13, 2020, 115 pages.  
International Search Report and Written Opinion for International Application No. PCT/US2021/044233, dated Oct. 29, 2021, 15 pages.  
Lang B., "HoloLens 2 Specs Reveal 2-3 Hour 'Active' Battery Life, Optional Top Strap, & More," Feb. 24, 2019, 5 pages, Retrieved from the Internet: URL: <https://www.roadtovr.com/hololens-2-specs-resolution-field-of-view-battery-life/>.  
"LG G Flex," Wikipedia, Nov. 12, 2013, 2 pages, Retrieved from the Internet: URL: [https://en.wikipedia.org/wiki/LG\\_G\\_Flex](https://en.wikipedia.org/wiki/LG_G_Flex).  
Morris Q., et al., "Head-Mounted Display," U.S. Appl. No. 29/723,785, filed Feb. 10, 2020, 23 pages.  
Roig E.V., et al., "Head Cradle for Head-Mounted Display and Related Systems and Devices," U.S. Appl. No. 63/060,716, filed Aug. 4, 2020, 65 pages.

\* cited by examiner

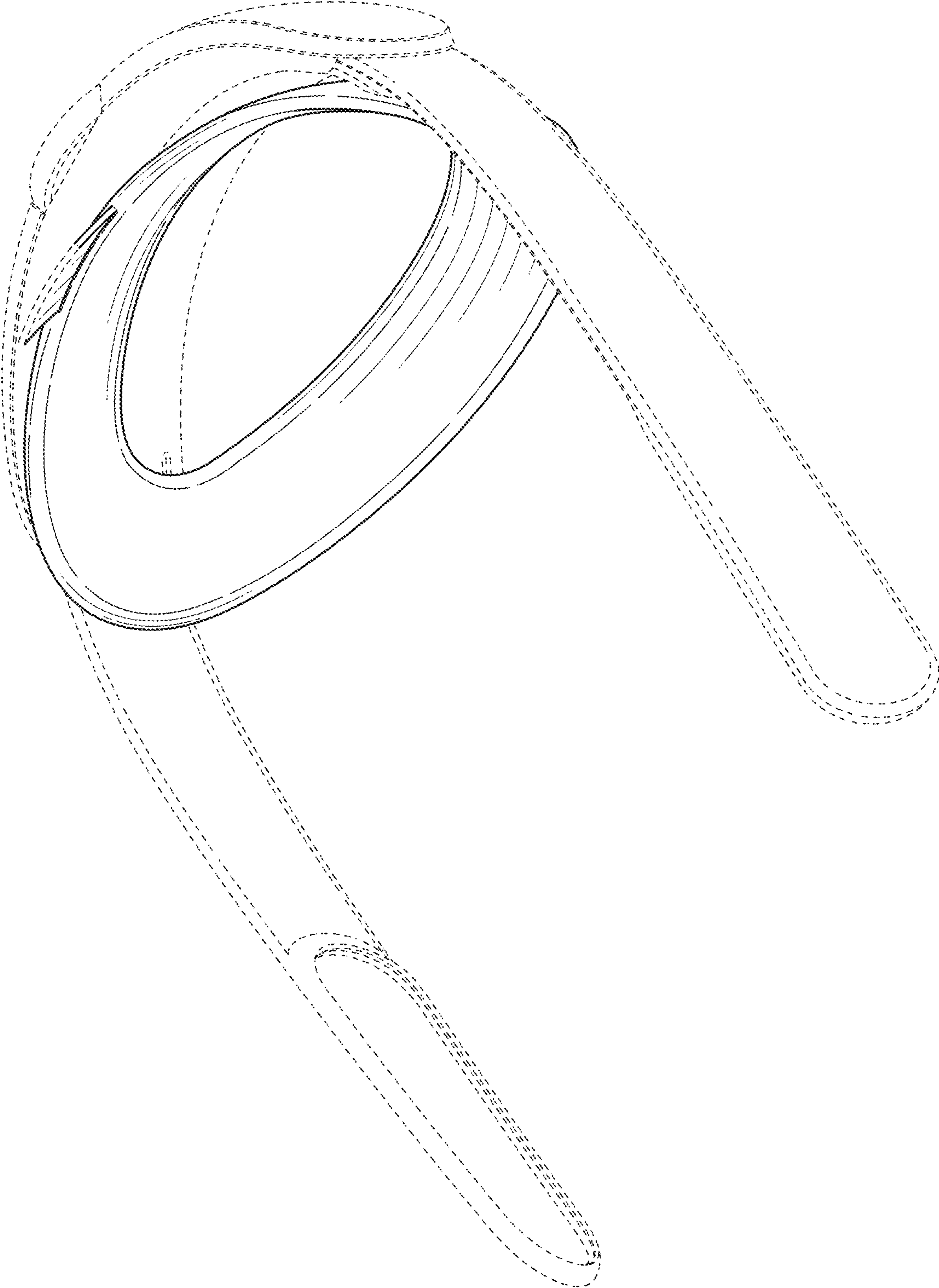


FIG. 1



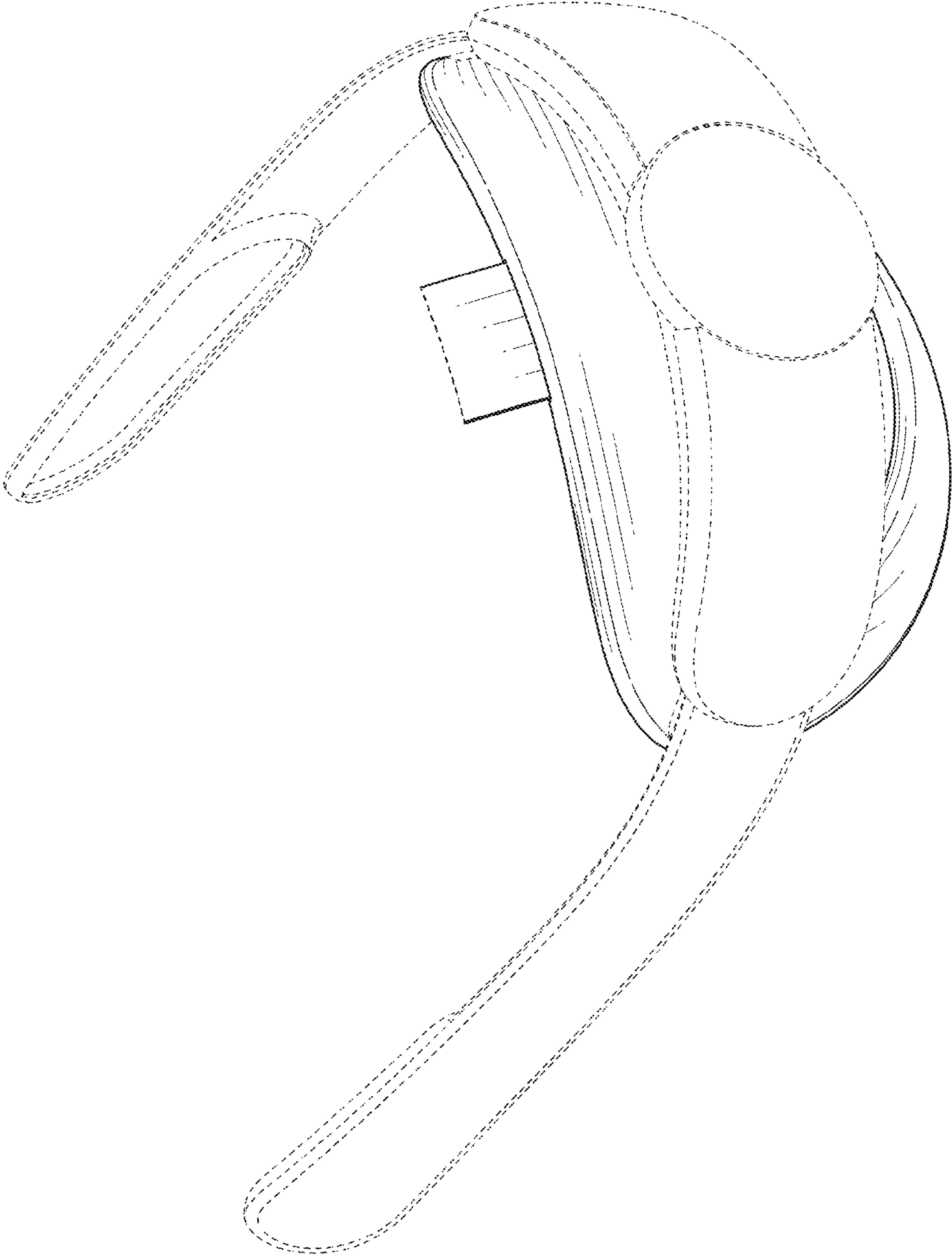
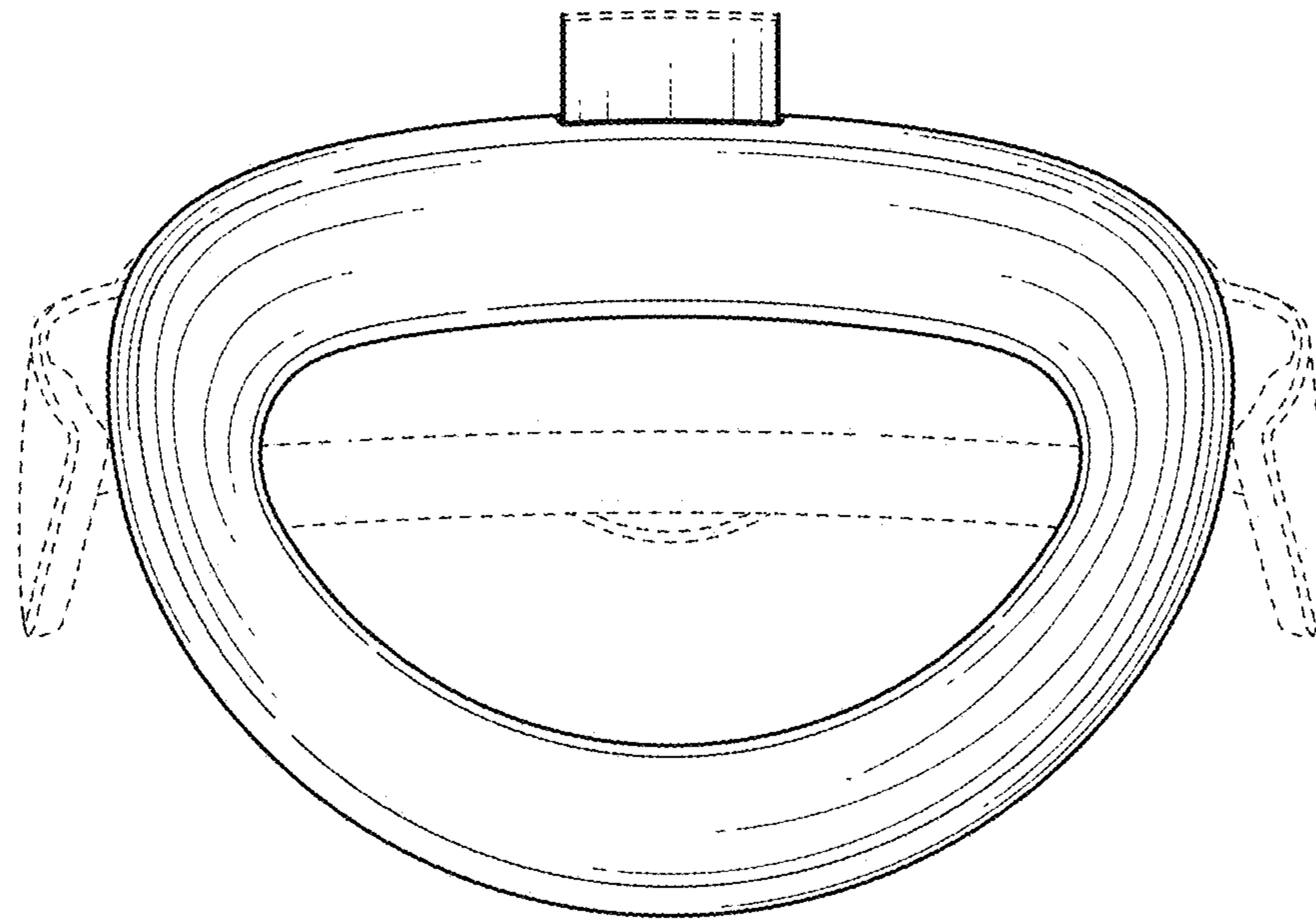
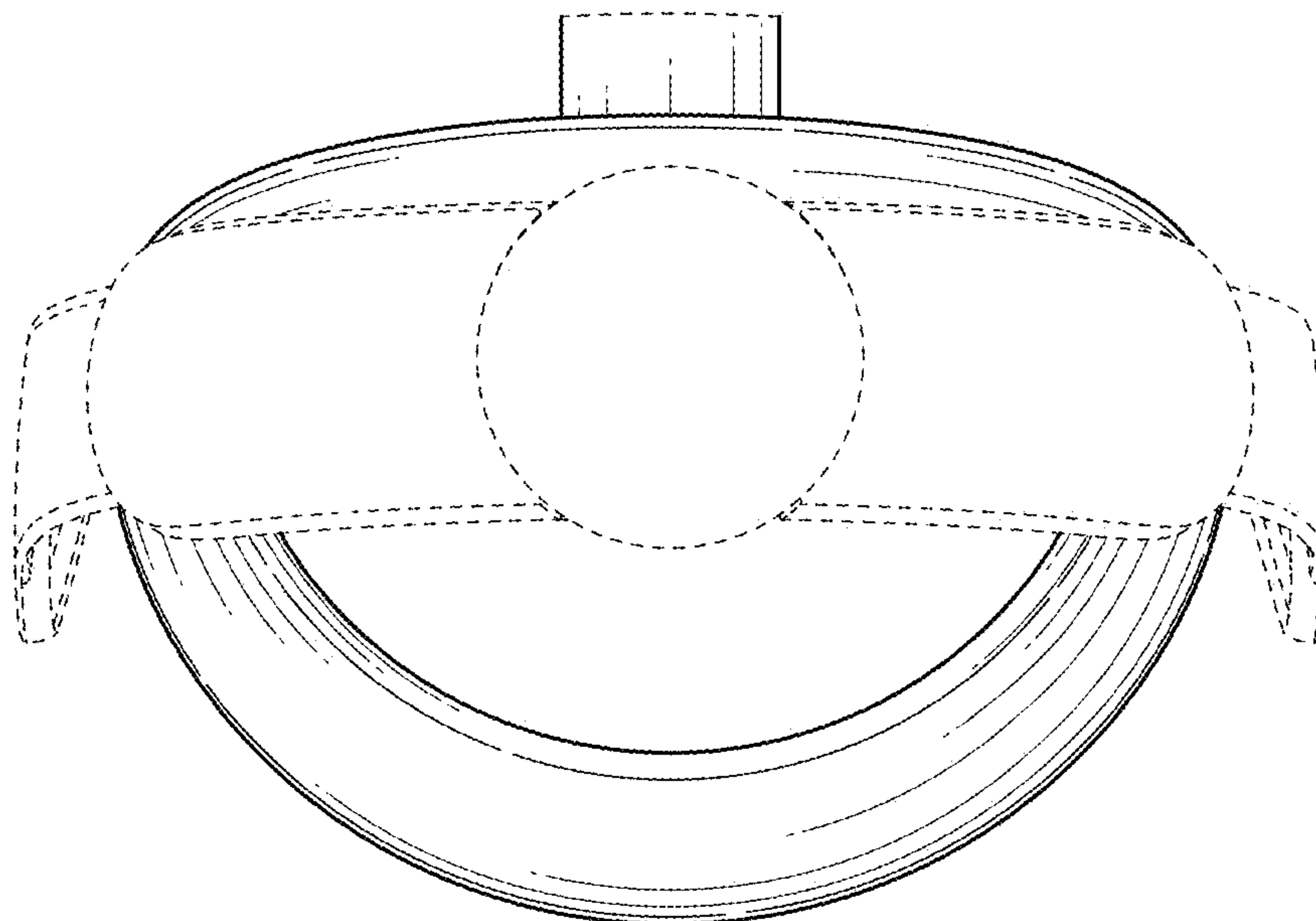


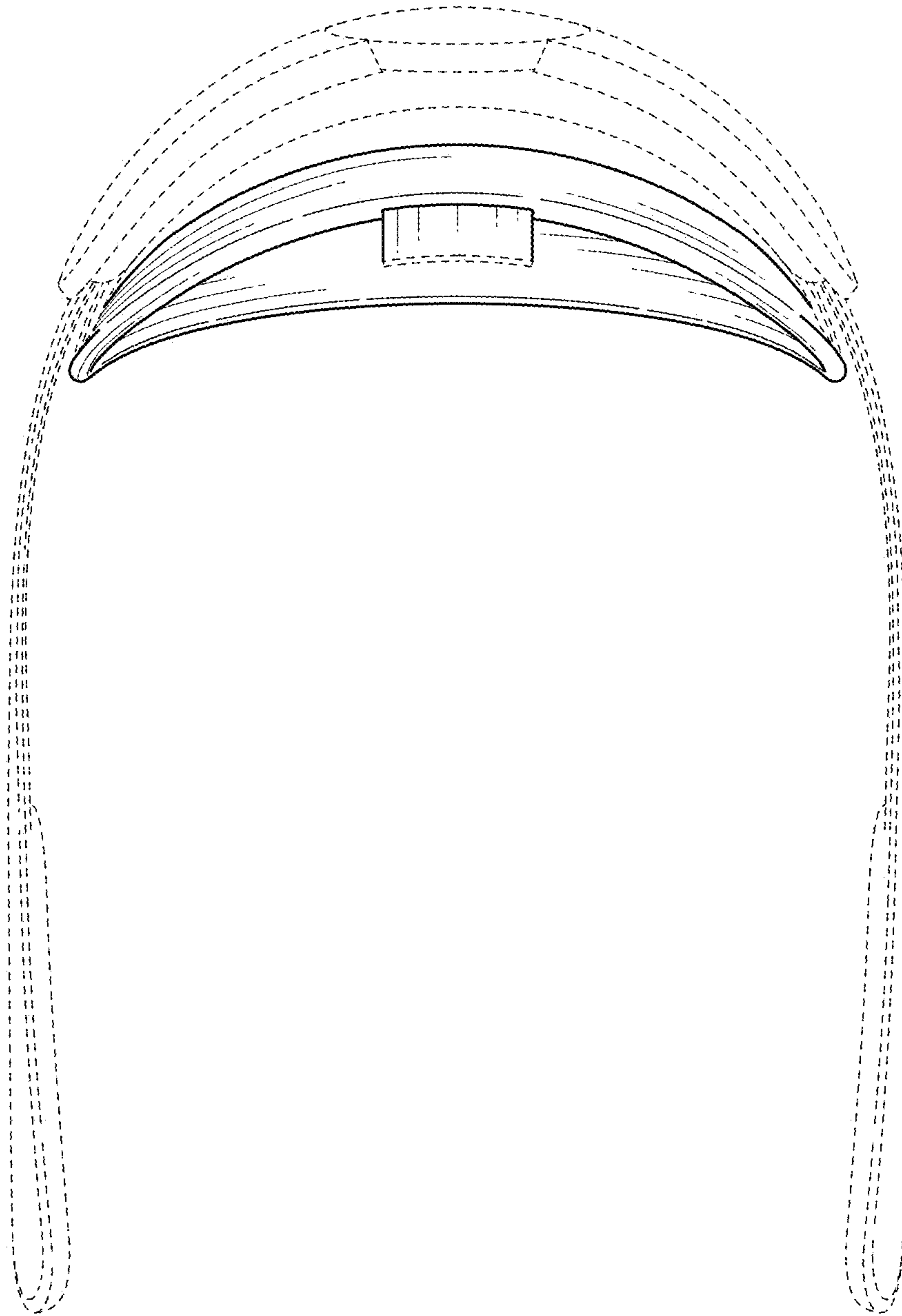
FIG. 2



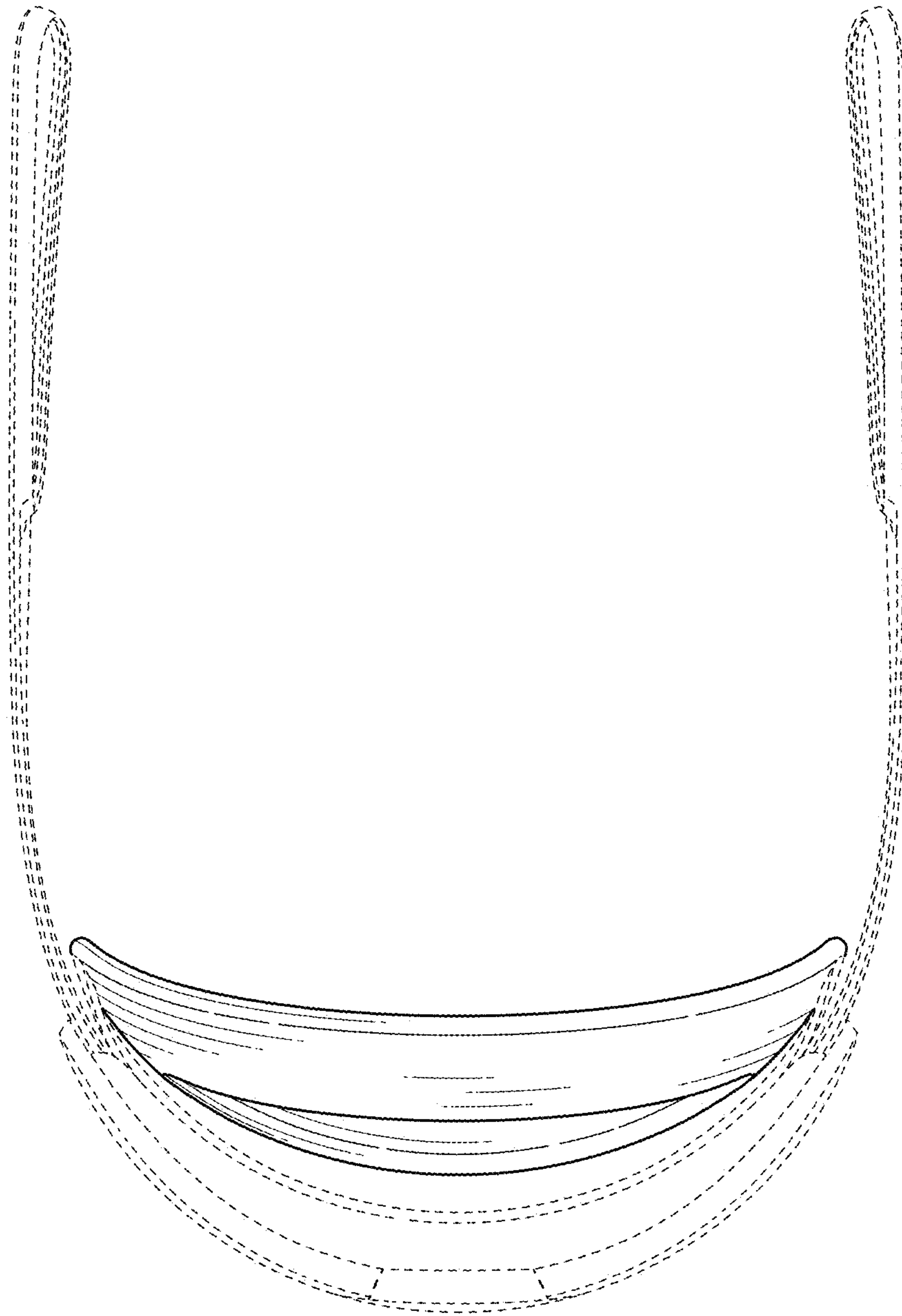
**FIG. 3**



**FIG. 4**



**FIG. 5**



**FIG. 6**

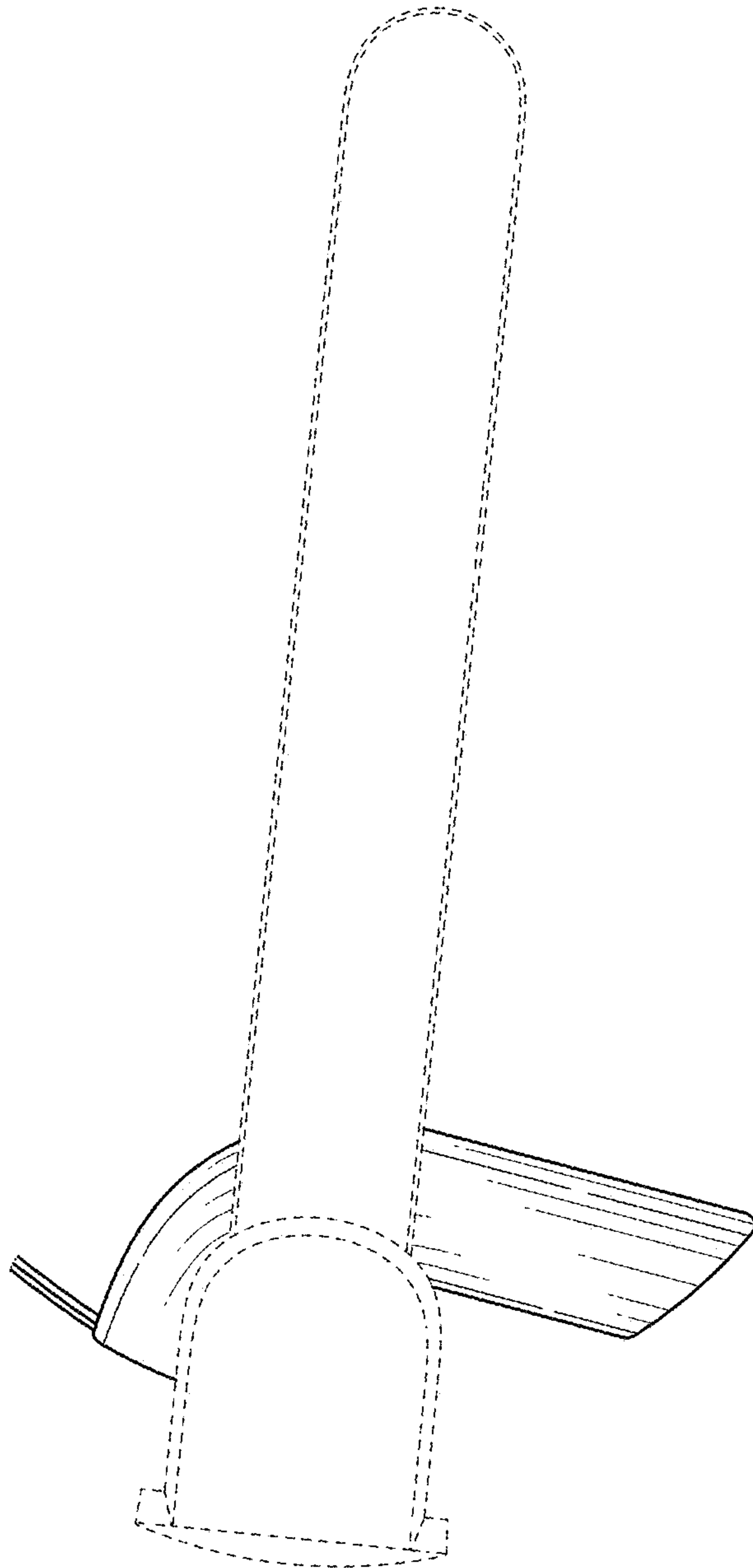


FIG. 7



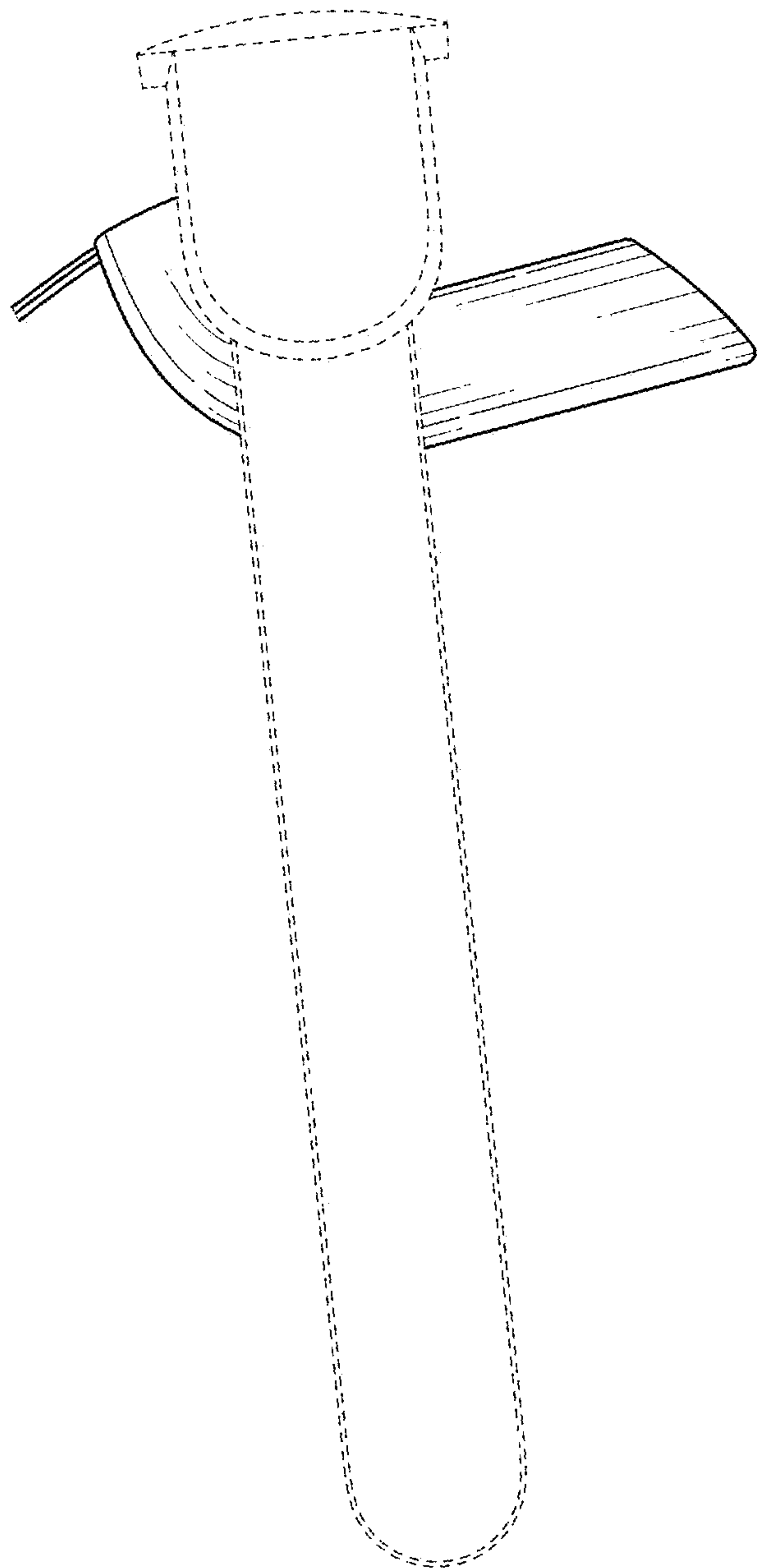


FIG. 8