



US00D980216S

(12) **United States Design Patent**  
**Woo et al.**

(10) **Patent No.:** **US D980,216 S**  
(45) **Date of Patent:** **\*\* Mar. 7, 2023**

(54) **HEAD MOUNT DISPLAY**  
(71) Applicant: **Samsung Electronics Co., Ltd.**,  
Suwon-si (KR)  
(72) Inventors: **Giha Woo**, Suwon-si (KR); **Yonghee Cho**,  
Suwon-si (KR); **Myungkyu Kim**, Suwon-si (KR); **Woojung Moon**,  
Suwon-si (KR); **Minki Ham**, Suwon-si (KR); **Hangil Song**,  
Suwon-si (KR)

(73) Assignee: **SAMSUNG ELECTRONICS CO., LTD.**,  
Suwon-si (KR)

(\*\*) Term: **15 Years**

(21) Appl. No.: **29/777,263**

(22) Filed: **Apr. 5, 2021**

(30) **Foreign Application Priority Data**

Oct. 6, 2020 (KR) ..... 30-2020-0047807

(51) **LOC (14) Cl.** ..... **14-02**

(52) **U.S. Cl.**  
USPC ..... **D14/372**

(58) **Field of Classification Search**  
USPC ..... D14/372, 496, 432, 371, 125, 126, 129,  
D14/299; D16/300-342; 351/158, 153,  
351/144; 345/7-9, 905; 455/344;  
348/115, 53, 121, 739  
CPC ..... G02B 27/017; G02B 27/0158; G02B  
27/0161; G02B 27/0181; G02B 27/0185;  
G02B 27/0189  
See application file for complete search history.

(56) **References Cited**

**U.S. PATENT DOCUMENTS**

D764,467 S \* 8/2016 Nokuo ..... D14/372  
D819,716 S \* 6/2018 Kim ..... D16/208

D829,208 S \* 9/2018 Dallmeyer ..... D14/372  
D857,694 S \* 8/2019 Natsume ..... D14/372  
D859,407 S \* 9/2019 Natsume ..... D14/372  
D889,464 S \* 7/2020 Wang ..... D14/372  
D898,025 S \* 10/2020 Bhat ..... D14/372  
D928,151 S \* 8/2021 Hu ..... D14/372  
D953,328 S \* 5/2022 Forsland ..... D14/372  
D957,391 S \* 7/2022 Roig ..... D14/372  
D959,427 S \* 8/2022 Zhu ..... D14/372

\* cited by examiner

*Primary Examiner* — Austin Murphy

(74) *Attorney, Agent, or Firm* — McAndrews Held &  
Malloy, Ltd.

(57) **CLAIM**

The ornamental design for a head mount display, as shown  
and described.

**DESCRIPTION**

FIG. 1 is a front perspective view of a head mount display  
showing our new design;  
FIG. 2 is a front elevation view thereof;  
FIG. 3 is a rear elevation view thereof;  
FIG. 4 is a left side elevation view thereof;  
FIG. 5 is a right side elevation view thereof;  
FIG. 6 is a top plan view thereof;  
FIG. 7 is a bottom plan view thereof; and,  
FIG. 8 is a rear perspective view thereof.  
The evenly-dashed broken lines in the drawings illustrate  
portions of the head mount display that form no part of the  
claimed design.

**1 Claim, 6 Drawing Sheets**

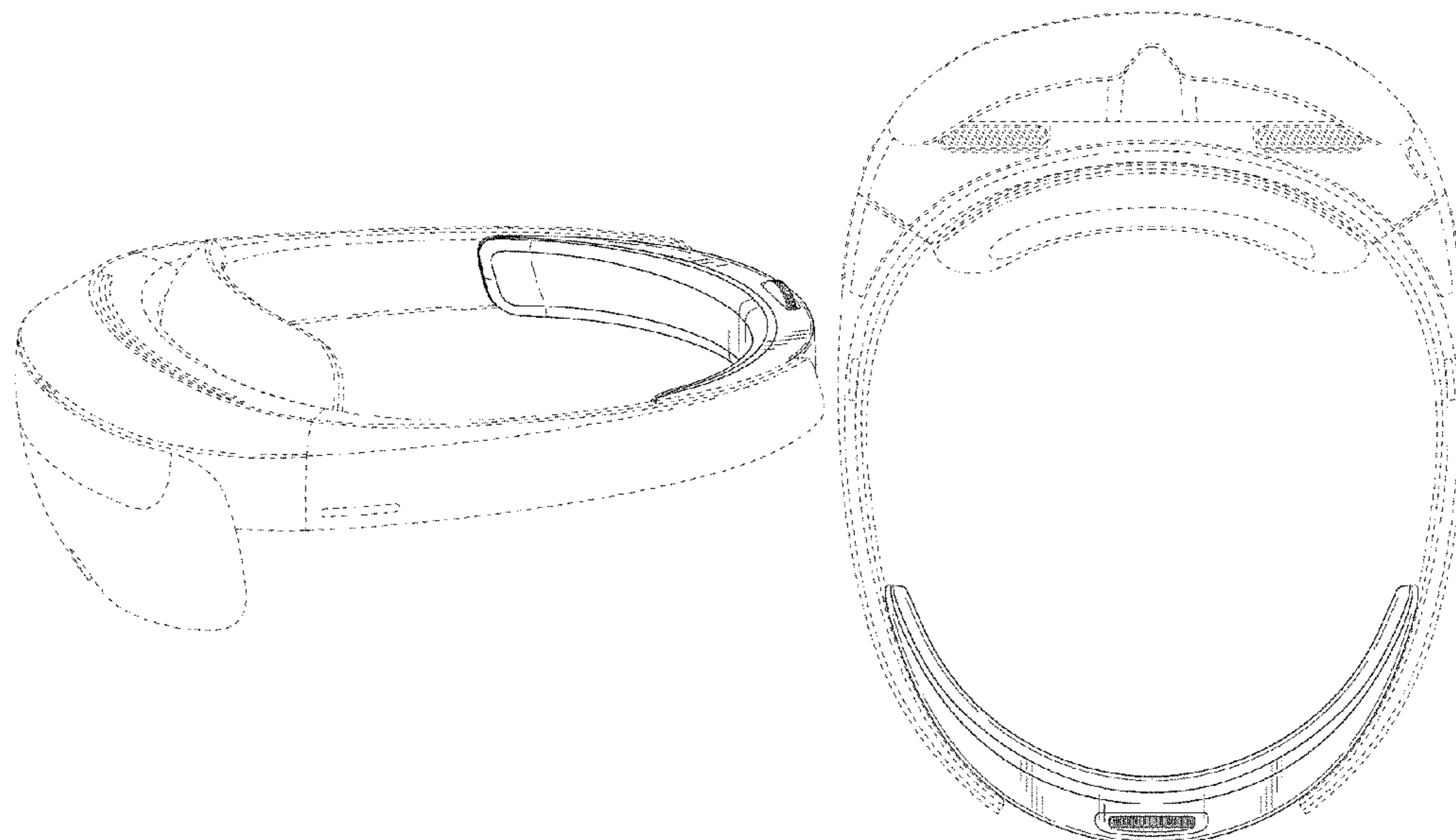


FIG.1

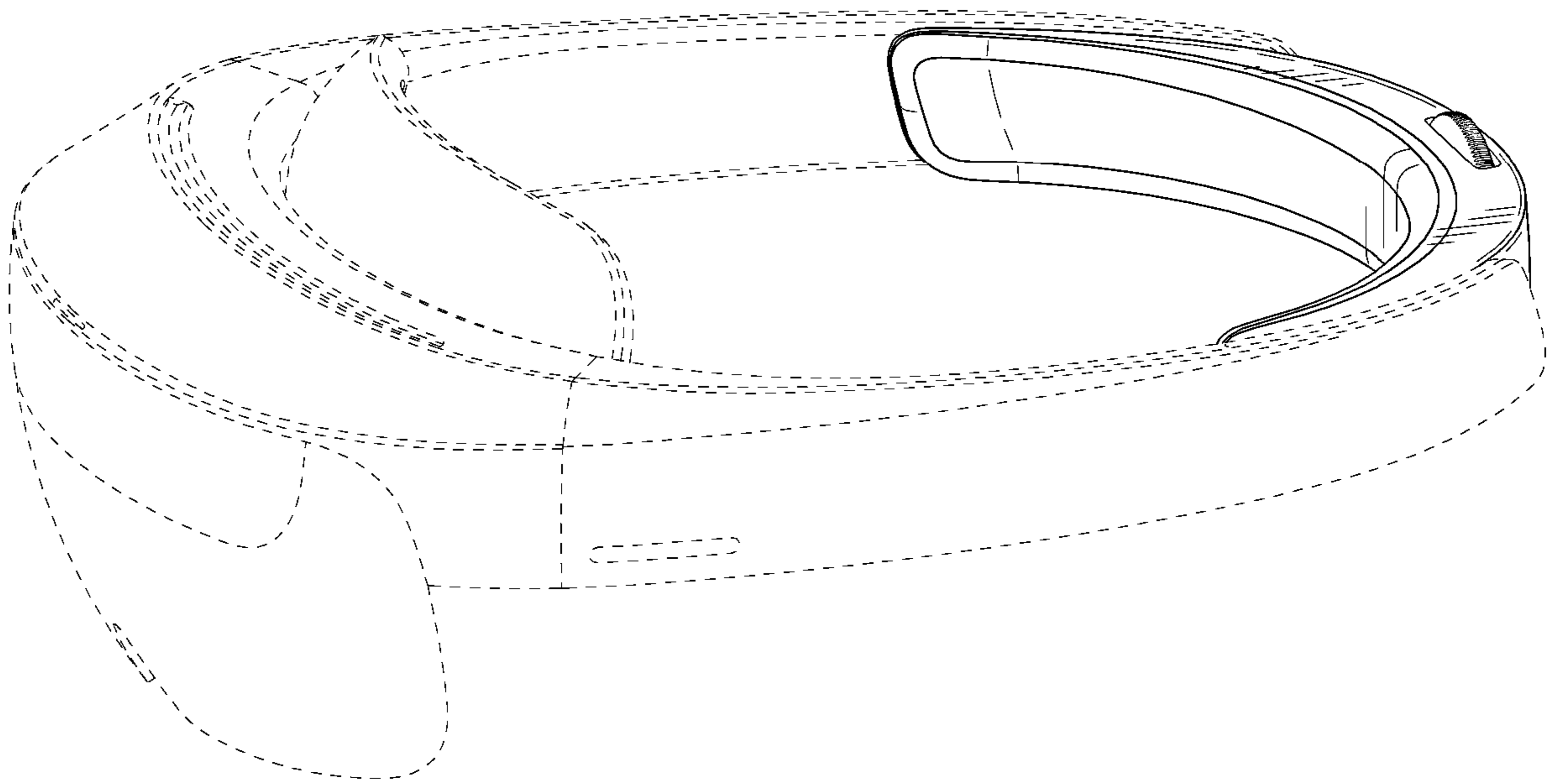


FIG.2

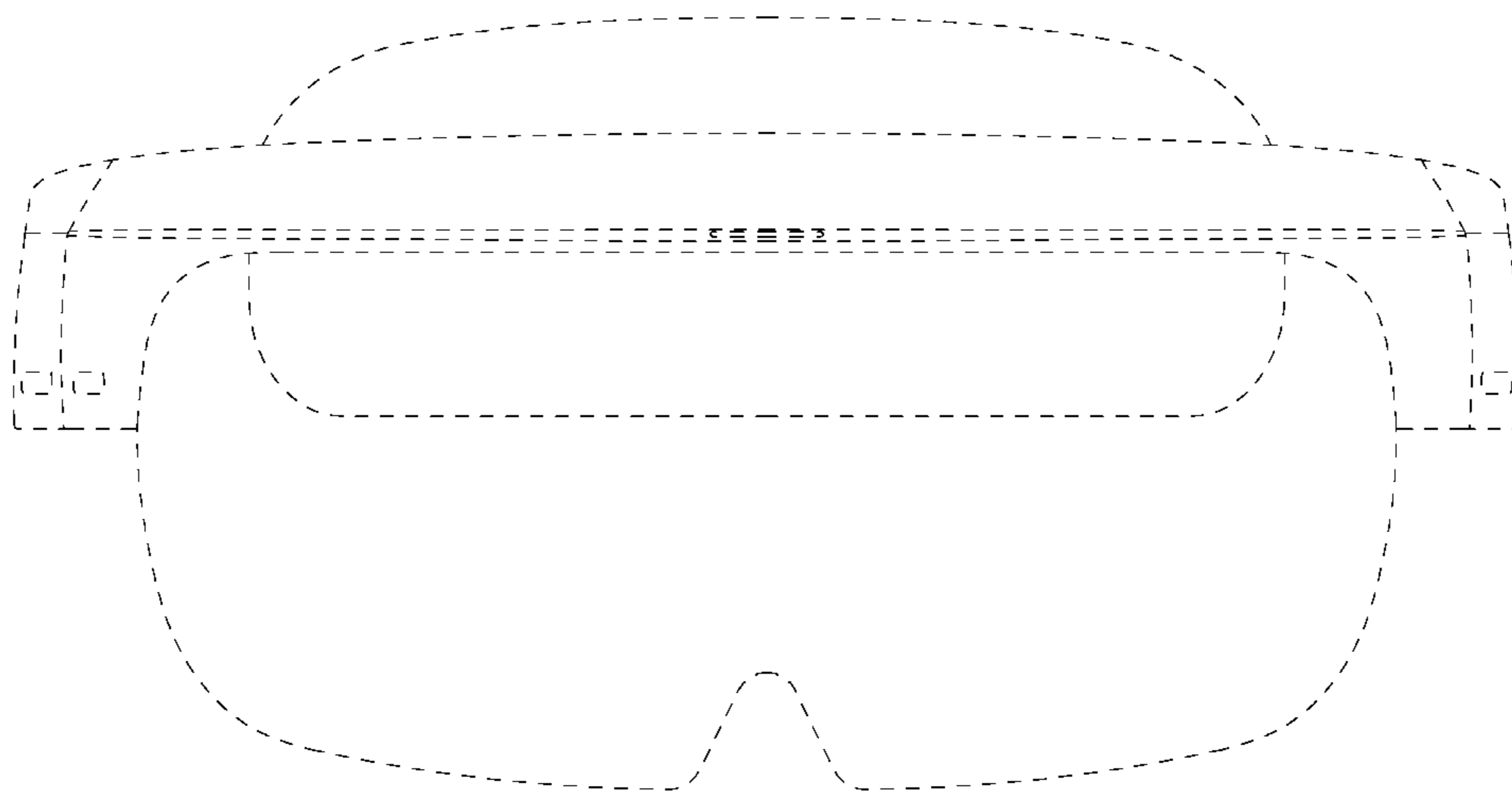


FIG.3

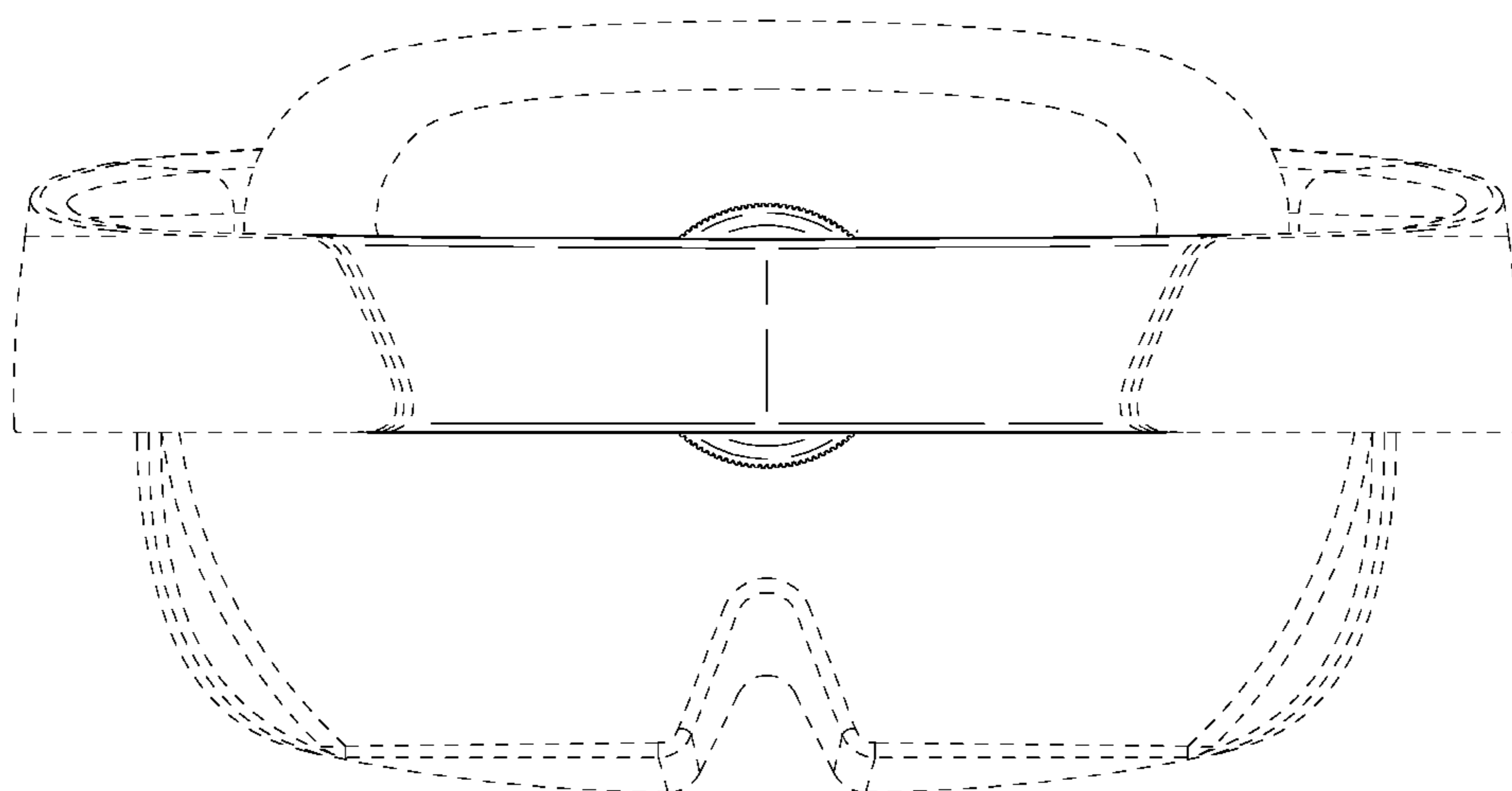


FIG.4

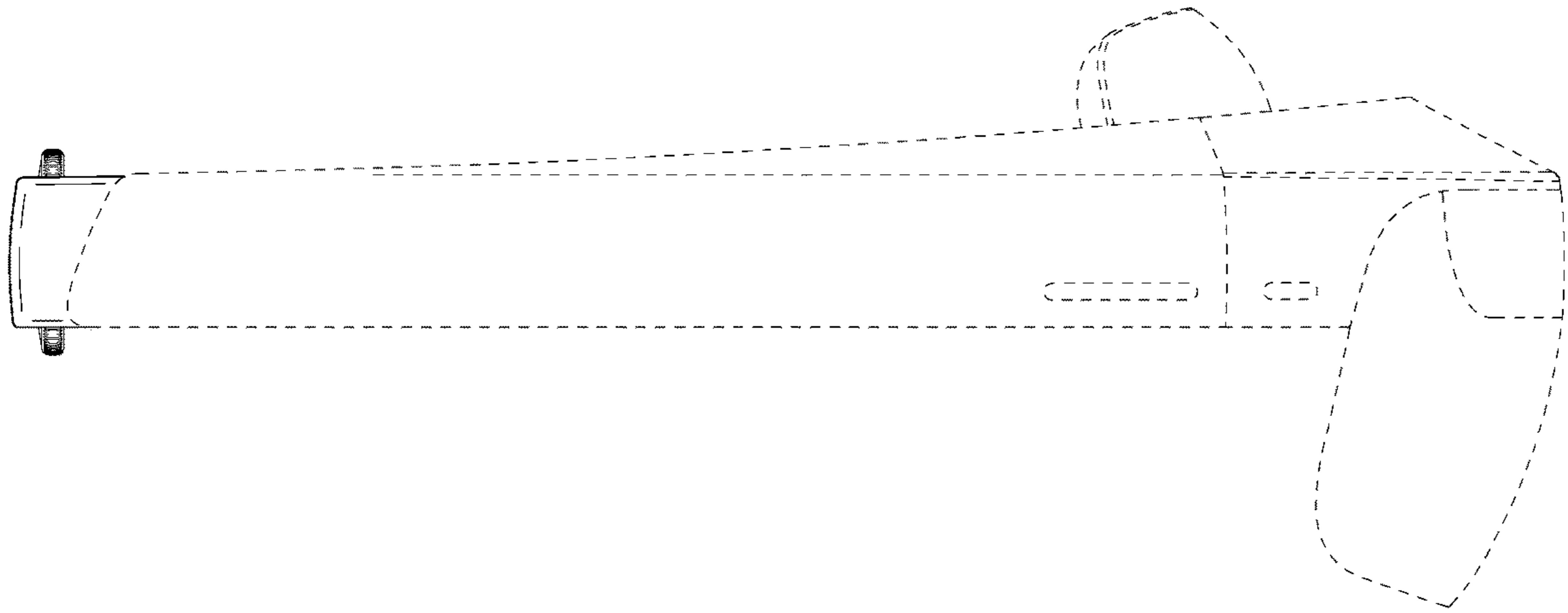


FIG.5

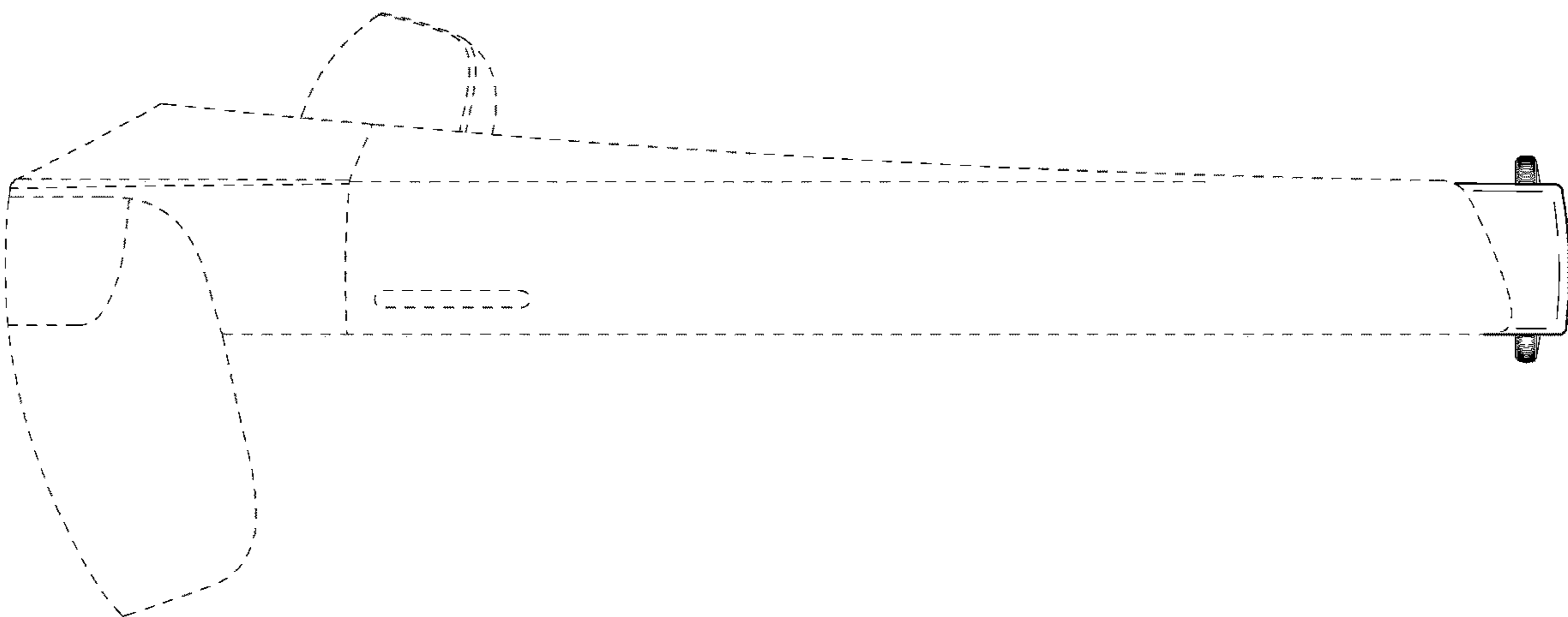


FIG.6

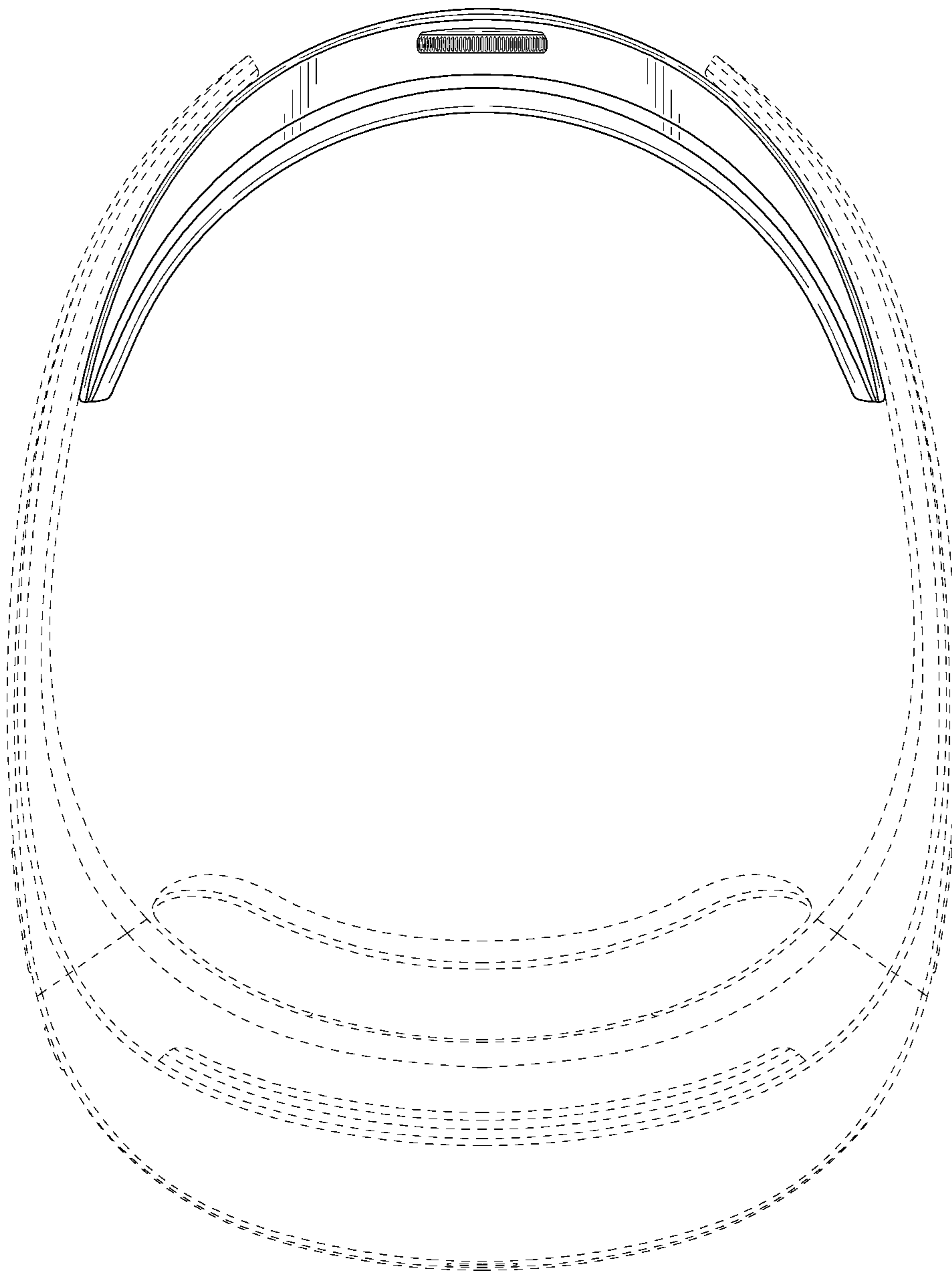


FIG.7

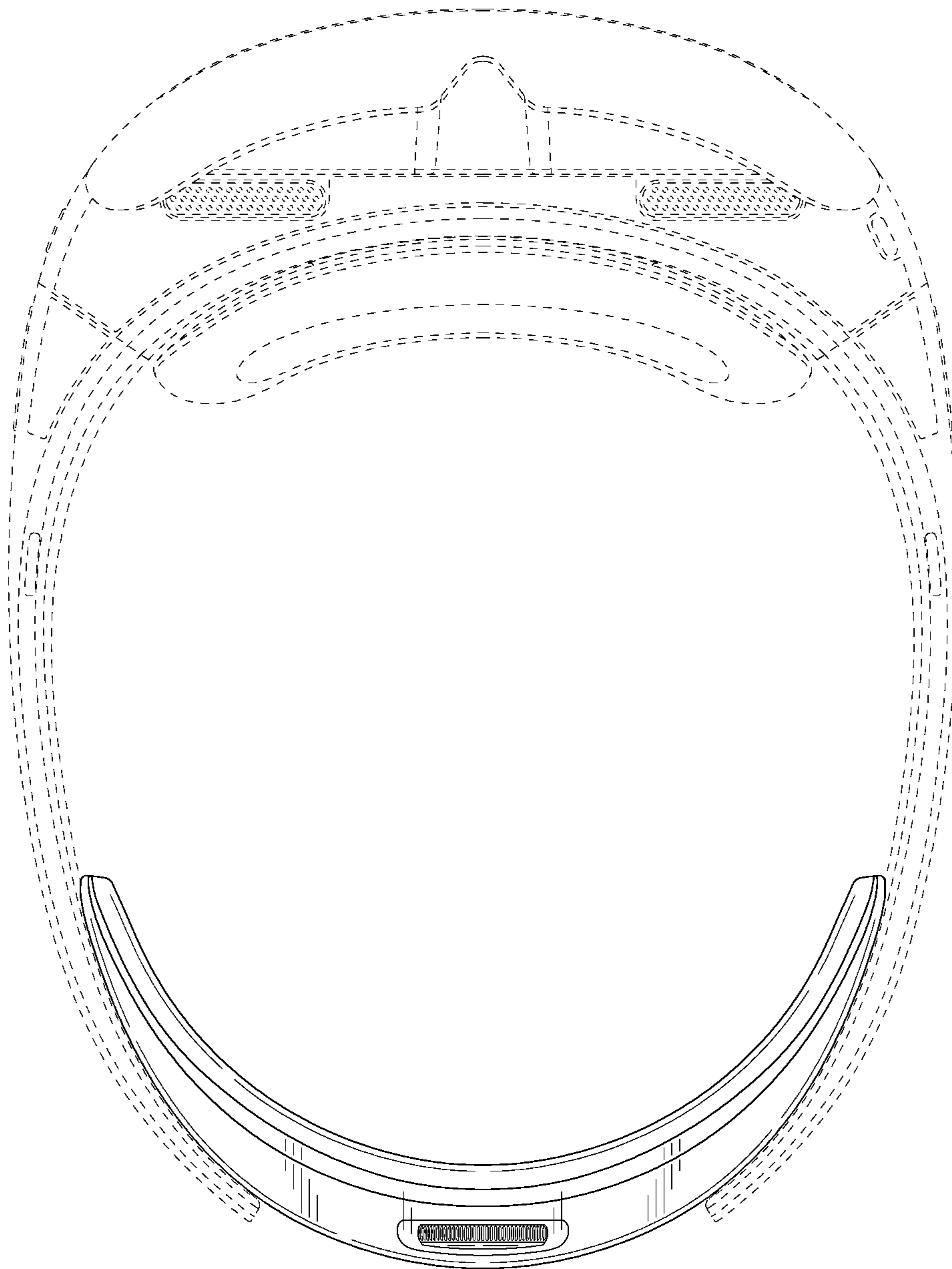


FIG.8

