



US00D980209S

(12) **United States Design Patent** (10) **Patent No.:** **US D980,209 S**
Wu (45) **Date of Patent:** **** Mar. 7, 2023**

(54) **SMART WATCH**
(71) Applicant: **Xianghua Wu**, Wuhan (CN)
(72) Inventor: **Xianghua Wu**, Wuhan (CN)
(**) Term: **15 Years**
(21) Appl. No.: **29/851,714**
(22) Filed: **Aug. 31, 2022**
(51) **LOC (14) Cl.** **14-03**
(52) **U.S. Cl.**
USPC **D14/344**
(58) **Field of Classification Search**
USPC D14/138 R, 344; D10/30-32, 38, 70;
D11/3; D24/167
CPC G04G 17/00; G04G 17/045; G04G 17/08;
G04G 17/083; G04G 21/00; G04G 21/02;
G04G 21/025; G04G 21/06; G04G 21/08;
G04G 99/006; A44C 5/00; A44C 5/02;
A44C 5/022; A44C 5/025; A44C 5/0007;
A44C 5/0015; A44C 5/0046; A44C
5/0053; A44C 5/2052; A44C 5/2071;
A44C 9/00; A44C 9/0053
See application file for complete search history.

D951,108 S * 5/2022 Huang D14/344
D962,083 S * 8/2022 Zheng D10/32
D962,230 S * 8/2022 Gao D14/344
D962,231 S * 8/2022 Gao D14/344
D962,233 S * 8/2022 Gao D14/344
(Continued)

OTHER PUBLICATIONS

Garmin Venu Sq, GPS Smartwatch with Bright Touchscreen Display, Up to 6 Days of Battery Life, Slate Aluminum Bezel with Shadow Gray Case and Silicone Band, Slate Band, www.amazon.com, Sep. 23, 2020. <https://www.amazon.com/Garmin-010-02427-00-Smartwatch-Touchscreen-Display/dp/B08FRQ57JG> (Year: 2020).*
(Continued)

Primary Examiner — Llorellys Martinez
Assistant Examiner — Kwabena A. Ankobiah
(74) *Attorney, Agent, or Firm* — Georgi Korobanov

(57) **CLAIM**

The ornamental design for a smart watch, as shown and described.

DESCRIPTION

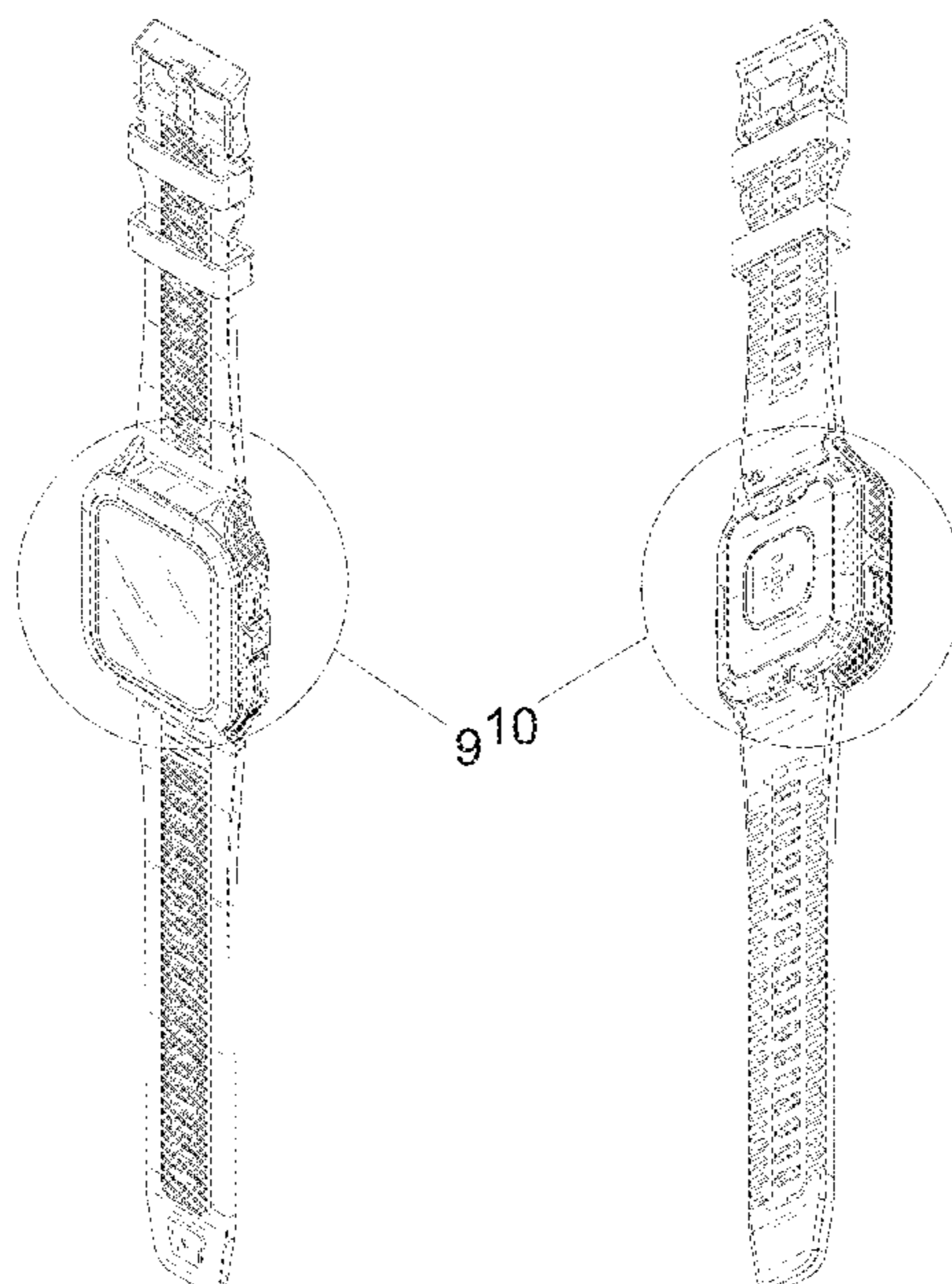
FIG. 1 is a front and top perspective view of a smart watch, showing my new design;
FIG. 2 is a rear and bottom perspective view thereof;
FIG. 3 is a rear view thereof;
FIG. 4 is a front view thereof;
FIG. 5 is a right side view thereof;
FIG. 6 is a left side view thereof;
FIG. 7 is an enlarged top plan view thereof;
FIG. 8 is an enlarged bottom plan view thereof;
FIG. 9 is an enlarged view of portion 9 shown in FIG. 1; and,
FIG. 10 is an enlarged view of portion 10 shown in FIG. 2.
The dash-dot-dash broken lines in FIGS. 1, 2, 9, and 10 are included to show a partially enlarged view only and form no part of the claimed design.

(56) **References Cited**

U.S. PATENT DOCUMENTS

D876,244 S * 2/2020 Park D10/32
D900,810 S * 11/2020 Ke D14/344
D909,369 S * 2/2021 Wu D14/344
D912,665 S * 3/2021 Zhang D14/344
D922,376 S * 6/2021 Zheng D14/344
D926,753 S * 8/2021 Wu D14/344
D927,484 S * 8/2021 Wu D14/344
D928,148 S * 8/2021 Wu D14/344
D935,453 S * 11/2021 Gao D14/344
D940,706 S * 1/2022 Wu
D949,711 S * 4/2022 Huang D10/32

1 Claim, 10 Drawing Sheets



(56)

References Cited

U.S. PATENT DOCUMENTS

D963,639 S * 9/2022 Zhang D14/344
D971,207 S * 11/2022 Zhu D14/344

OTHER PUBLICATIONS

Hammer: sport straps for Pebble Time, www.kickstarter.com, Sep. 4, 2017. <https://www.kickstarter.com/projects/utensile/hammer-straps-for-pebble-time?ref=discovery&term=smart%20watch> (Year: 2017).*

Bangle.js 2: The Open Smart Watch, www.kickstarter.com, Dec. 16, 2021. <https://www.kickstarter.com/projects/gfw/banglejs-2-the-open-smart-watch?ref=discovery&term=smart%20watch> (Year: 2021).*

* cited by examiner

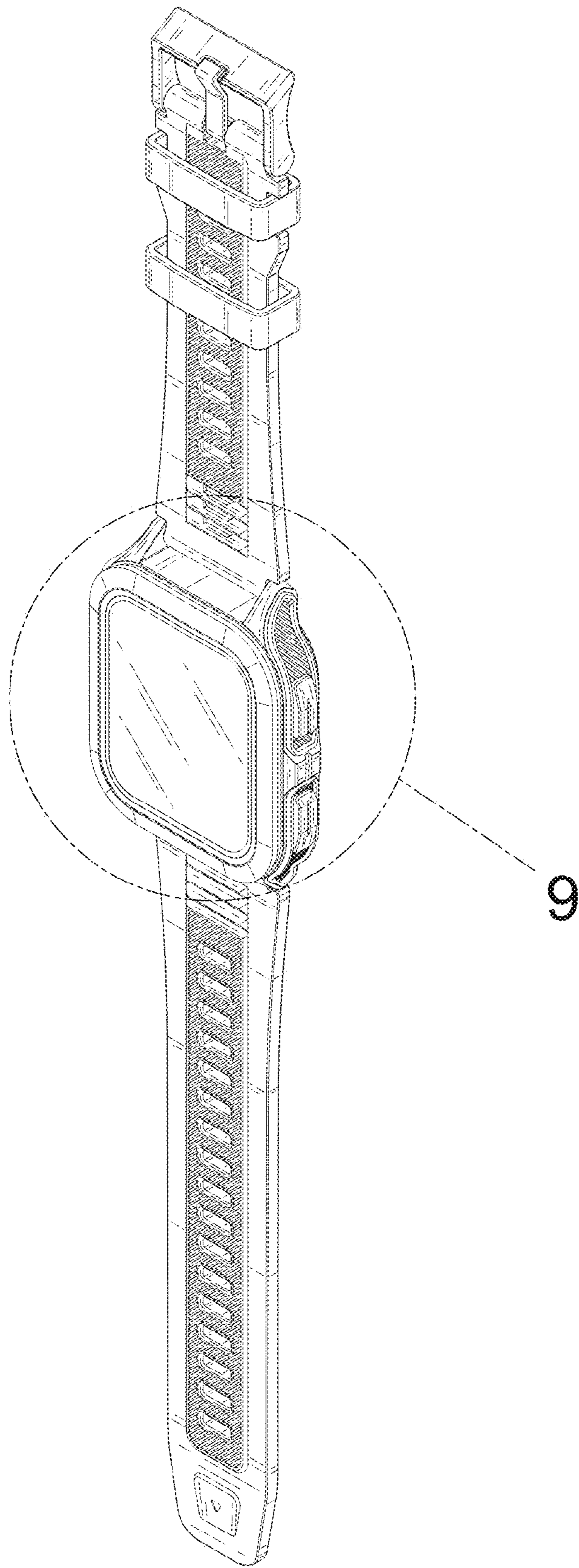


FIG. 1

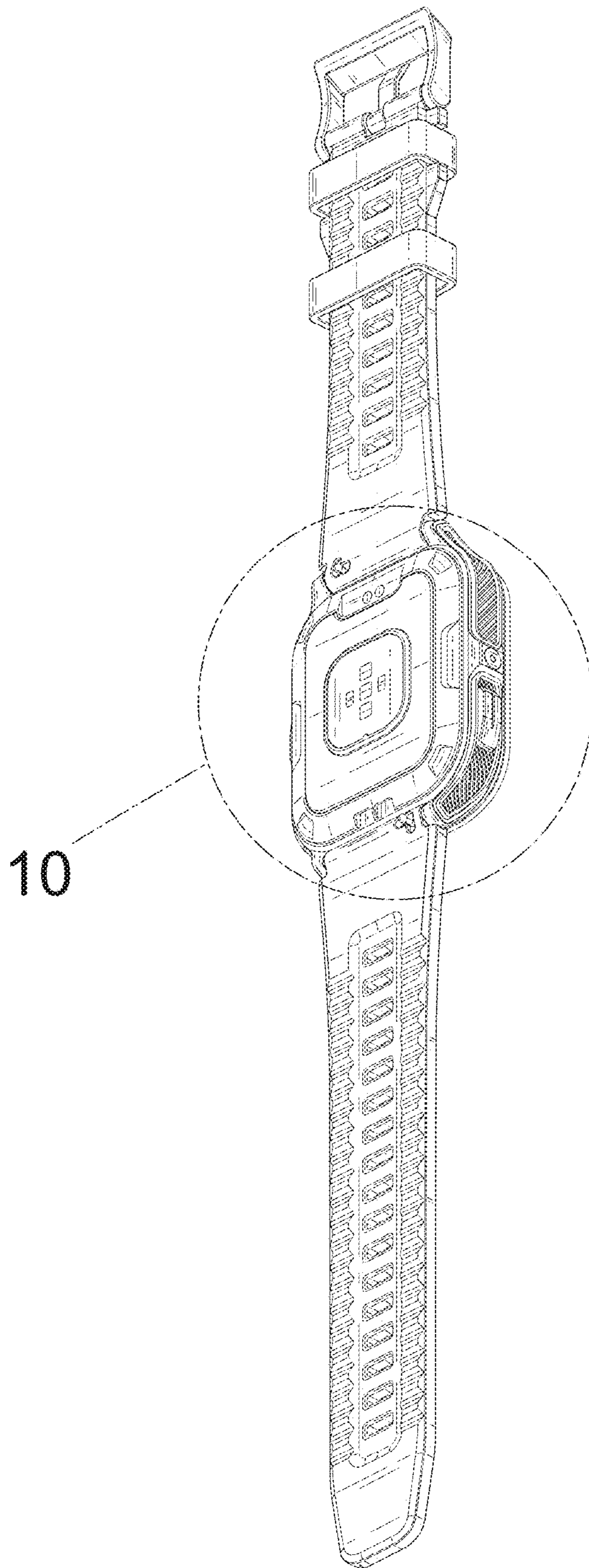


FIG. 2

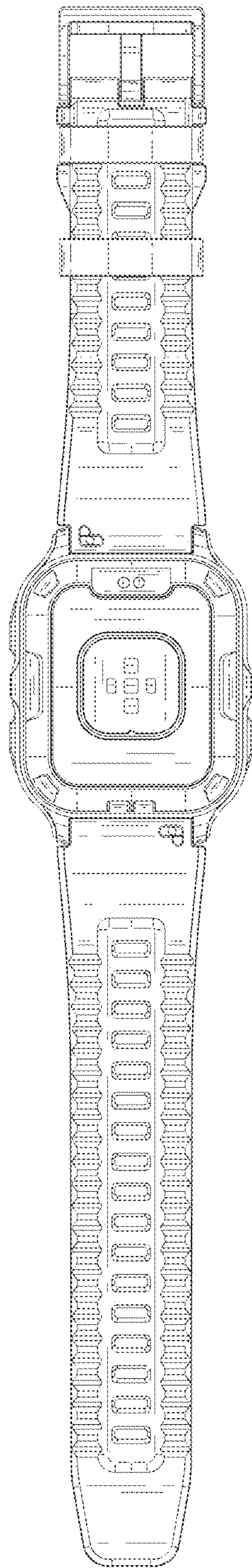


FIG. 3

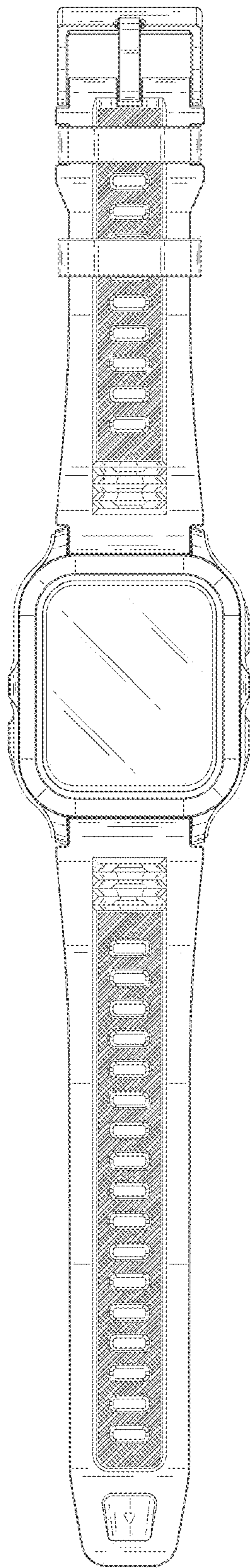


FIG. 4

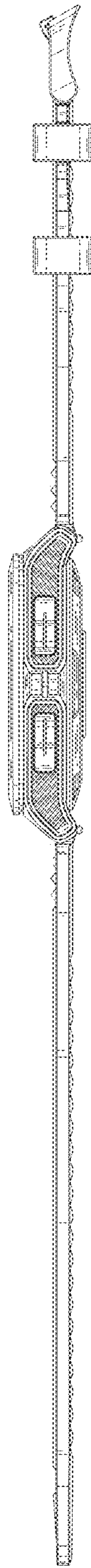


FIG. 5

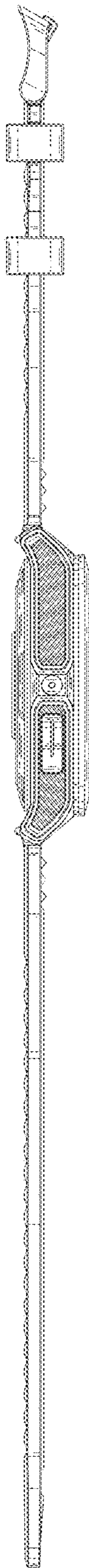


FIG. 6

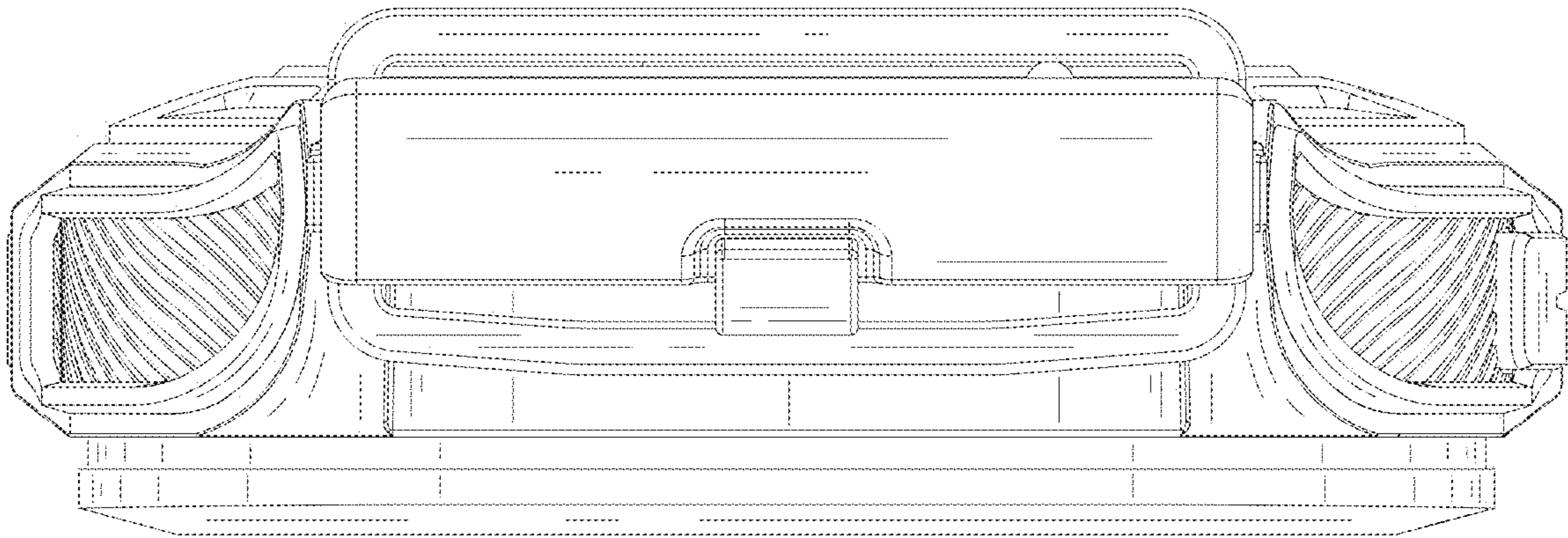


FIG. 7

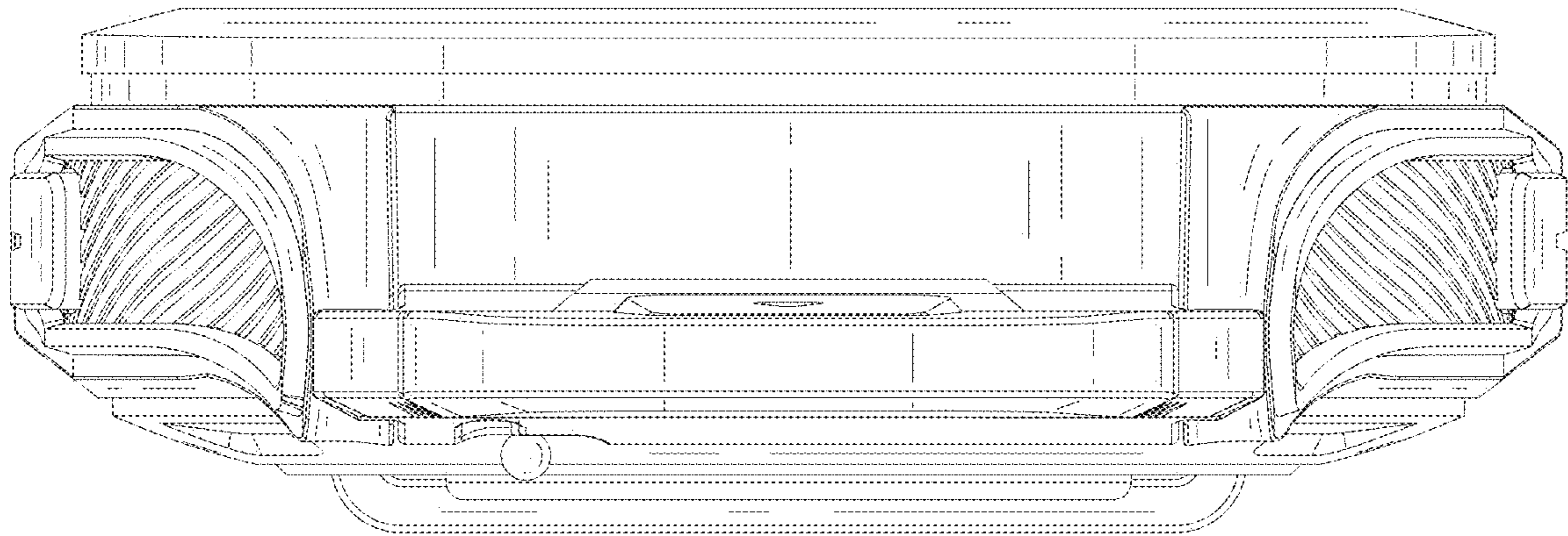


FIG. 8

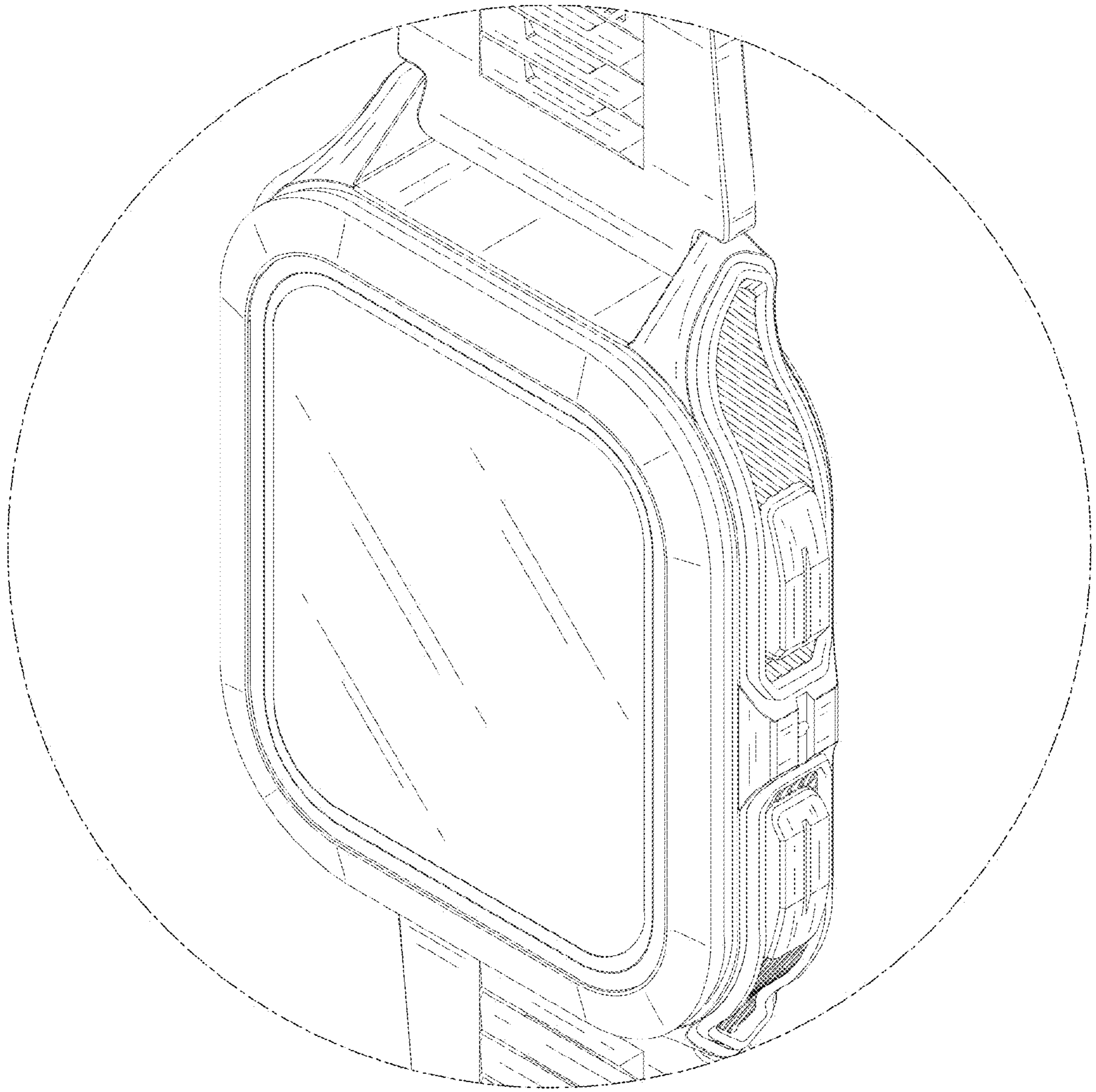


FIG. 9

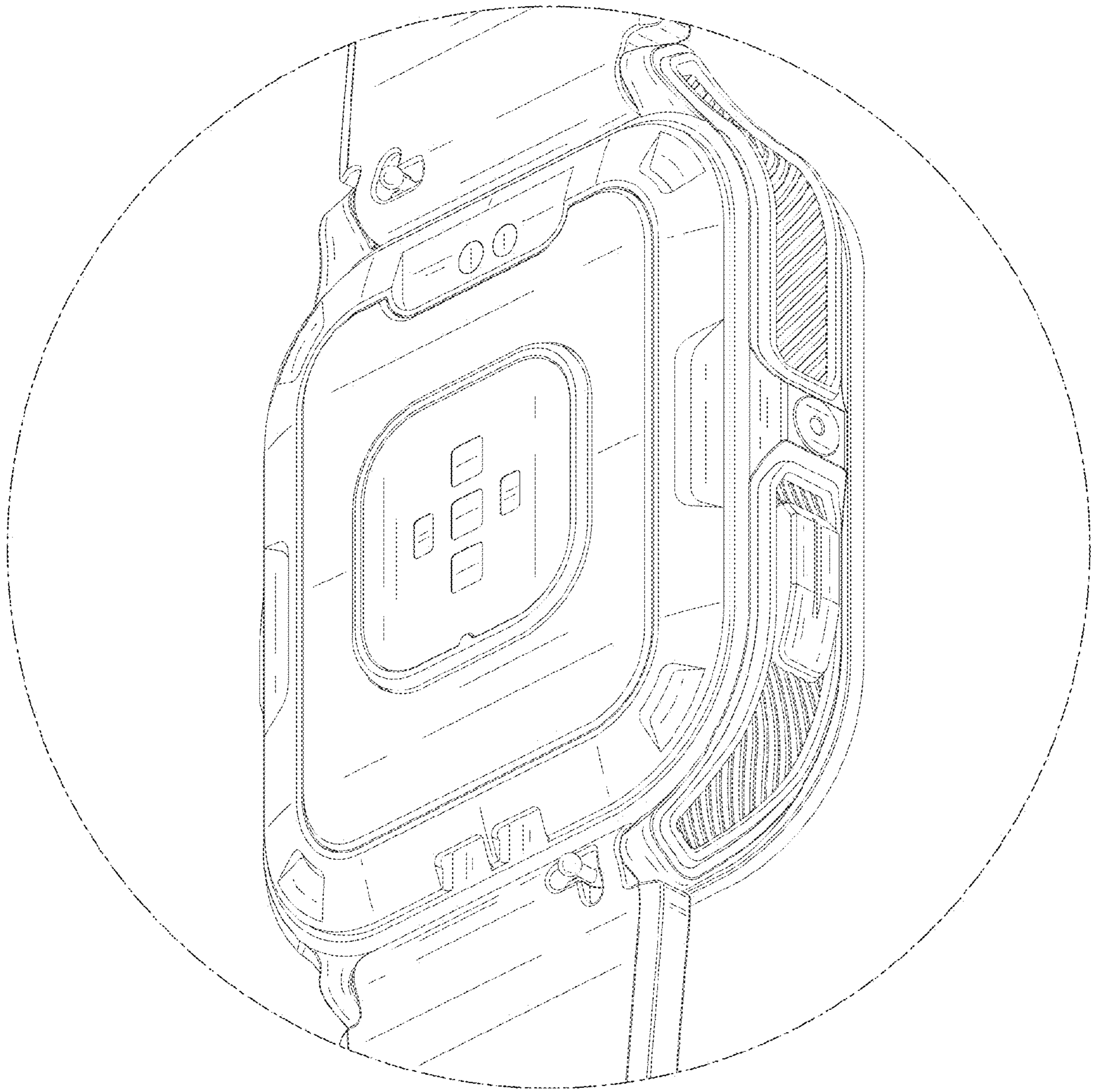


FIG. 10