



US00D980208S

(12) **United States Design Patent**  
**Dukerschein et al.**

(10) **Patent No.:** **US D980,208 S**  
(45) **Date of Patent:** **\*\* Mar. 7, 2023**

- (54) **ACTIVITY SURFACE**
- (71) Applicant: **Tangible Play, Inc.**, Palo Alto, CA  
(US)
- (72) Inventors: **Jon Karl Dukerschein**, Pacifica, CA  
(US); **Ariel Zekelman**, Palo Alto, CA  
(US); **Laura Ngan**, Palo Alto, CA  
(US); **Mark Solomon**, San Jose, CA  
(US)
- (73) Assignee: **Tangible Play, Inc.**, Palo Alto, CA  
(US)
- (\*\*) Term: **15 Years**
- (21) Appl. No.: **29/706,878**
- (22) Filed: **Sep. 24, 2019**
- (51) **LOC (14) Cl.** ..... **14-02**
- (52) **U.S. Cl.**  
USPC ..... **D14/341; D14/342**
- (58) **Field of Classification Search**  
USPC ..... D21/306, 333; D14/334, 335, 336, 337,  
D14/338, 339, 340, 341, 342, 343  
CPC ..... G06F 16/732; G06F 3/0481; G06K 9/00;  
G09B 5/06; G09B 5/12  
See application file for complete search history.

(56) **References Cited**

**U.S. PATENT DOCUMENTS**

- 5,555,157 A \* 9/1996 Moller ..... G06F 1/1679  
361/679.3
- D485,265 S \* 1/2004 Sato ..... D14/341
- D567,237 S \* 4/2008 Kim ..... D14/371
- D593,553 S \* 6/2009 Okamoto ..... D14/341
- D611,941 S \* 3/2010 Wang ..... D14/341
- D636,769 S \* 4/2011 Wood ..... D14/341
- D637,596 S \* 5/2011 Akana ..... D14/341
- D638,014 S \* 5/2011 Chong ..... D14/383
- D639,804 S \* 6/2011 Hwang ..... D14/341

- D641,749 S \* 7/2011 Leung ..... D14/336
- D658,172 S \* 4/2012 Lee ..... D14/342
- D659,693 S \* 5/2012 TerMeer ..... D14/342
- D679,706 S \* 4/2013 Tang ..... D14/341
- D687,032 S \* 7/2013 Sanjo ..... D14/341
- D689,856 S \* 9/2013 Shen ..... D14/341
- D690,691 S \* 10/2013 Hoshi ..... D14/371
- D690,692 S \* 10/2013 Shin ..... D14/341
- D691,132 S \* 10/2013 Sharma ..... D14/341
- D696,664 S \* 12/2013 Iida ..... D14/342
- D729,233 S \* 5/2015 Lee ..... D14/341
- D773,456 S \* 12/2016 Mitchell ..... D10/65
- D794,629 S \* 8/2017 Jiang ..... D14/341
- D820,254 S \* 6/2018 Wall ..... D14/341
- D820,801 S \* 6/2018 Yeom ..... D14/138 G
- D826,930 S \* 8/2018 Iida ..... D14/341

(Continued)

*Primary Examiner* — Mehri F Bajoul

(74) *Attorney, Agent, or Firm* — VLP Law Group LLP

(57) **CLAIM**

The ornamental design for an activity surface, as shown and described.

**DESCRIPTION**

FIG. 1 is a front, left perspective view of an activity surface showing our new design.

FIG. 2 is a top, rear perspective view thereof.

FIG. 3 is a bottom view thereof.

FIG. 4 is a top view thereof.

FIG. 5 is a front view thereof.

FIG. 6 is a rear view thereof.

FIG. 7 is a left side view thereof.

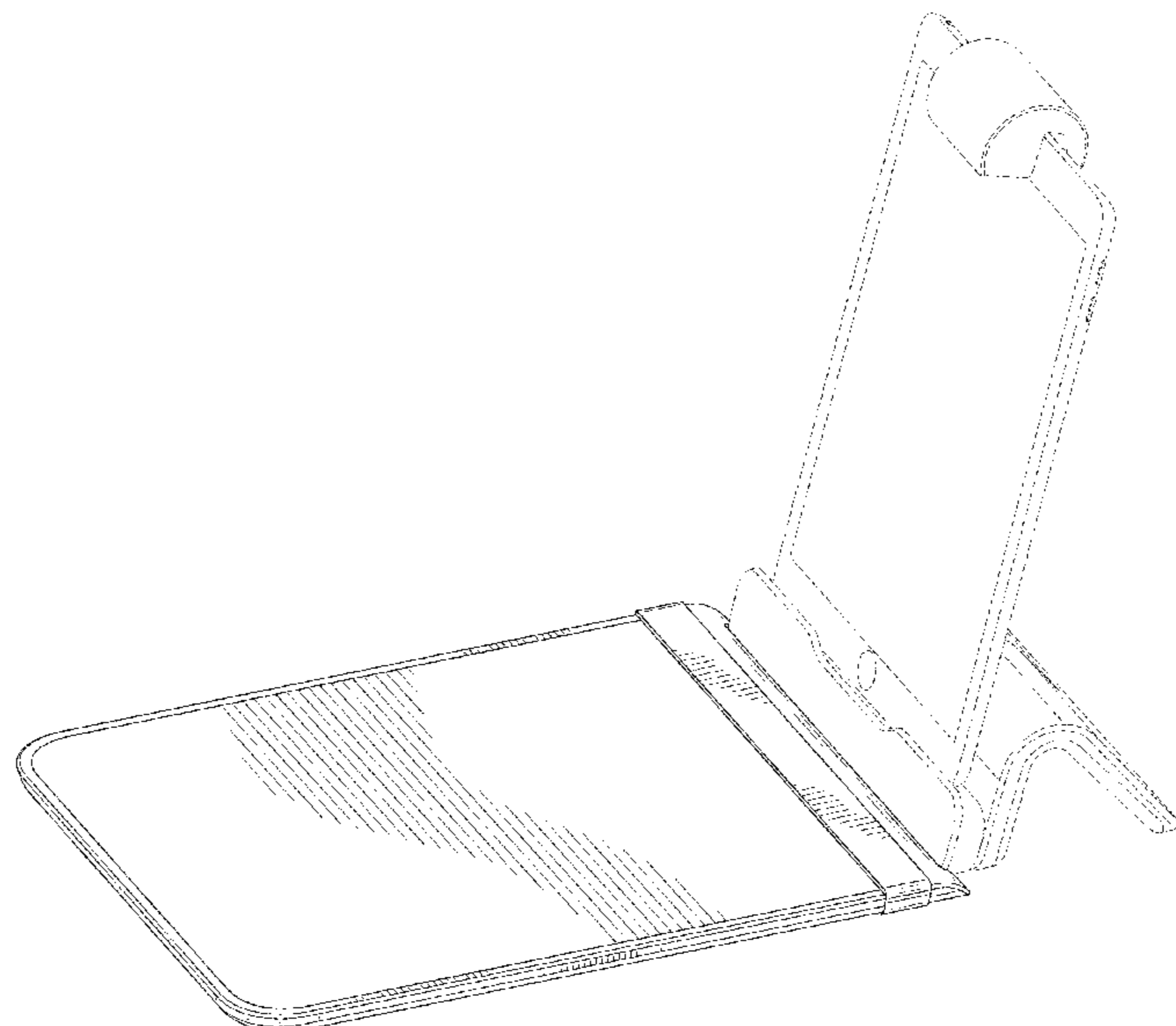
FIG. 8 is a right side view thereof.

FIG. 9 is a front, right perspective view of the activity surface shown in condition of use; and,

FIG. 10 is another front, right perspective view of the activity surface thereof.

The broken lines in the drawings depict environmental structures that form no part of the claimed design.

**1 Claim, 8 Drawing Sheets**



(56)

## References Cited

## U.S. PATENT DOCUMENTS

10,125,915	B1 *	11/2018	Phifer .....	F16M 13/00
D839,266	S *	1/2019	Chang .....	D14/341
D860,196	S *	9/2019	Fan .....	D14/341
D870,101	S *	12/2019	Akana .....	D14/341
D872,077	S *	1/2020	Raken .....	D14/341
D906,329	S *	12/2020	Wu .....	D14/126
D908,801	S *	1/2021	Lee .....	D21/333
D910,615	S *	2/2021	Wall .....	D14/341
D912,155	S *	3/2021	Yang .....	D21/333
D916,980	S *	4/2021	Chen .....	D21/333
D922,998	S *	6/2021	Fan .....	D14/341
D923,619	S *	6/2021	Matsumoto .....	D14/341
D923,620	S *	6/2021	Kim .....	D14/342
11,022,863	B2 *	6/2021	Solomon .....	G06T 7/80
D928,146	S *	8/2021	Solberg .....	D14/341
D929,988	S *	9/2021	Carlson .....	D14/336
D954,042	S *	6/2022	Solomon .....	D21/324
D959,425	S *	8/2022	He .....	D14/315
D964,985	S *	9/2022	Akana .....	D14/341
2002/0088651	A1 *	7/2002	Carini .....	G06F 3/0488 178/18.01
2016/0282901	A1 *	9/2016	Sharma .....	G06F 1/1632
2017/0206693	A1 *	7/2017	Sharma .....	A63F 13/42
2021/0004405	A1 *	1/2021	Solomon .....	H04R 3/12
2021/0006730	A1 *	1/2021	Solomon .....	G06F 1/166

\* cited by examiner

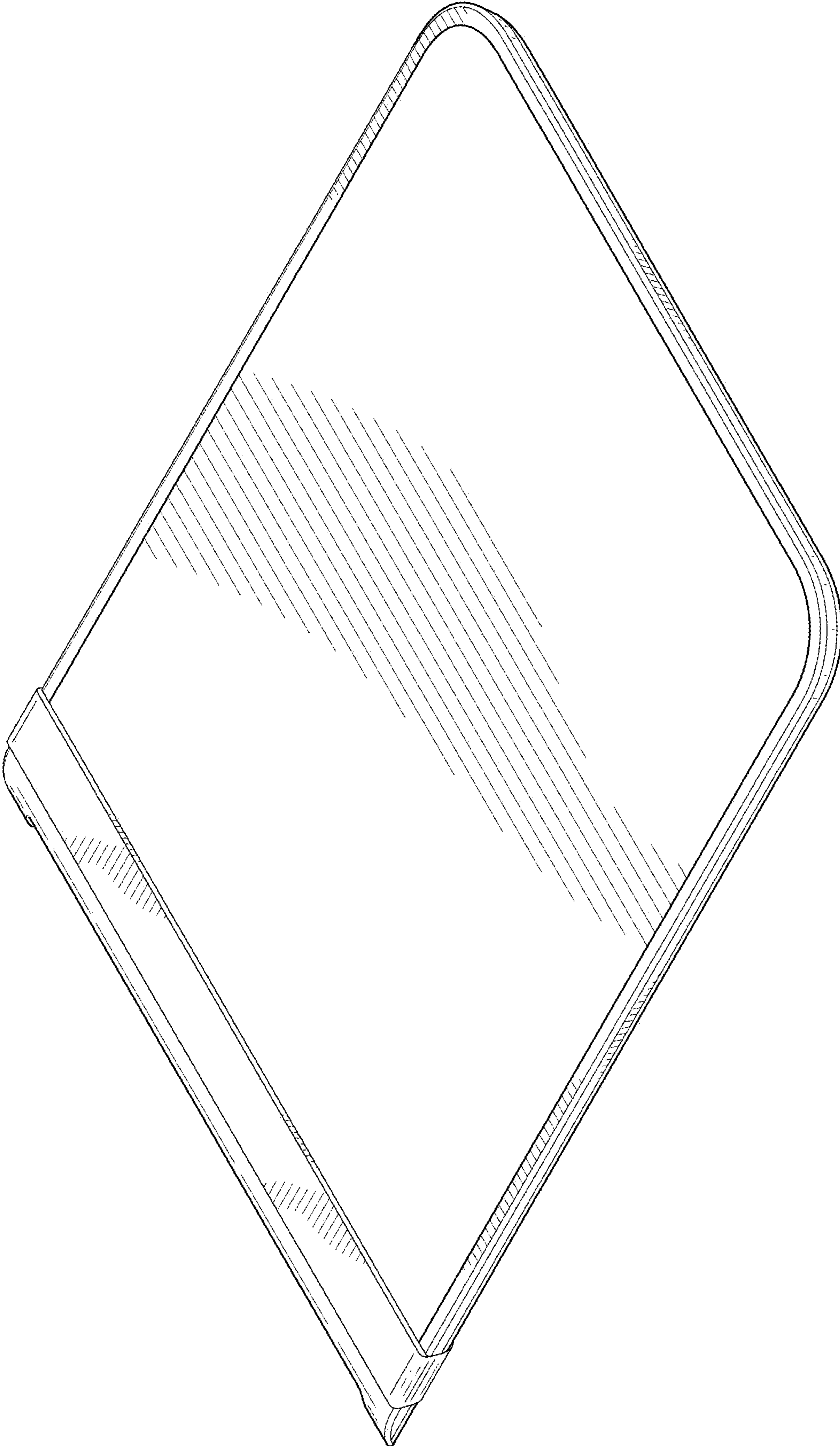


FIG. 1

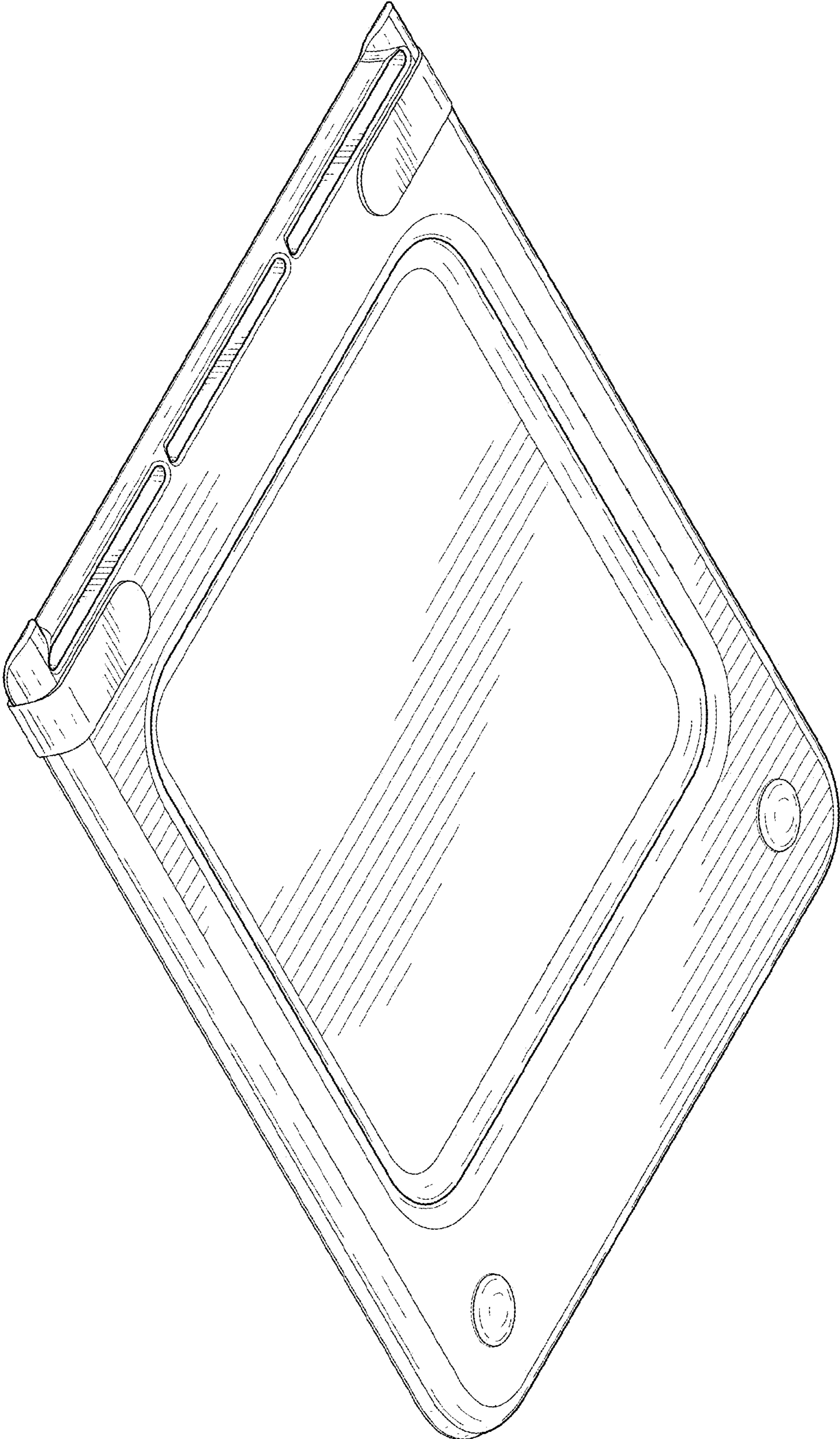


FIG. 2

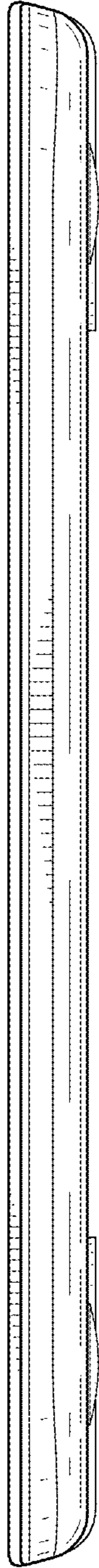


FIG. 3

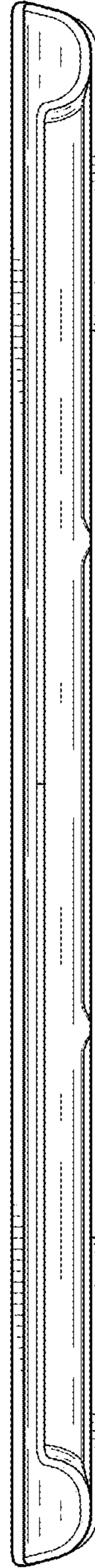


FIG. 4

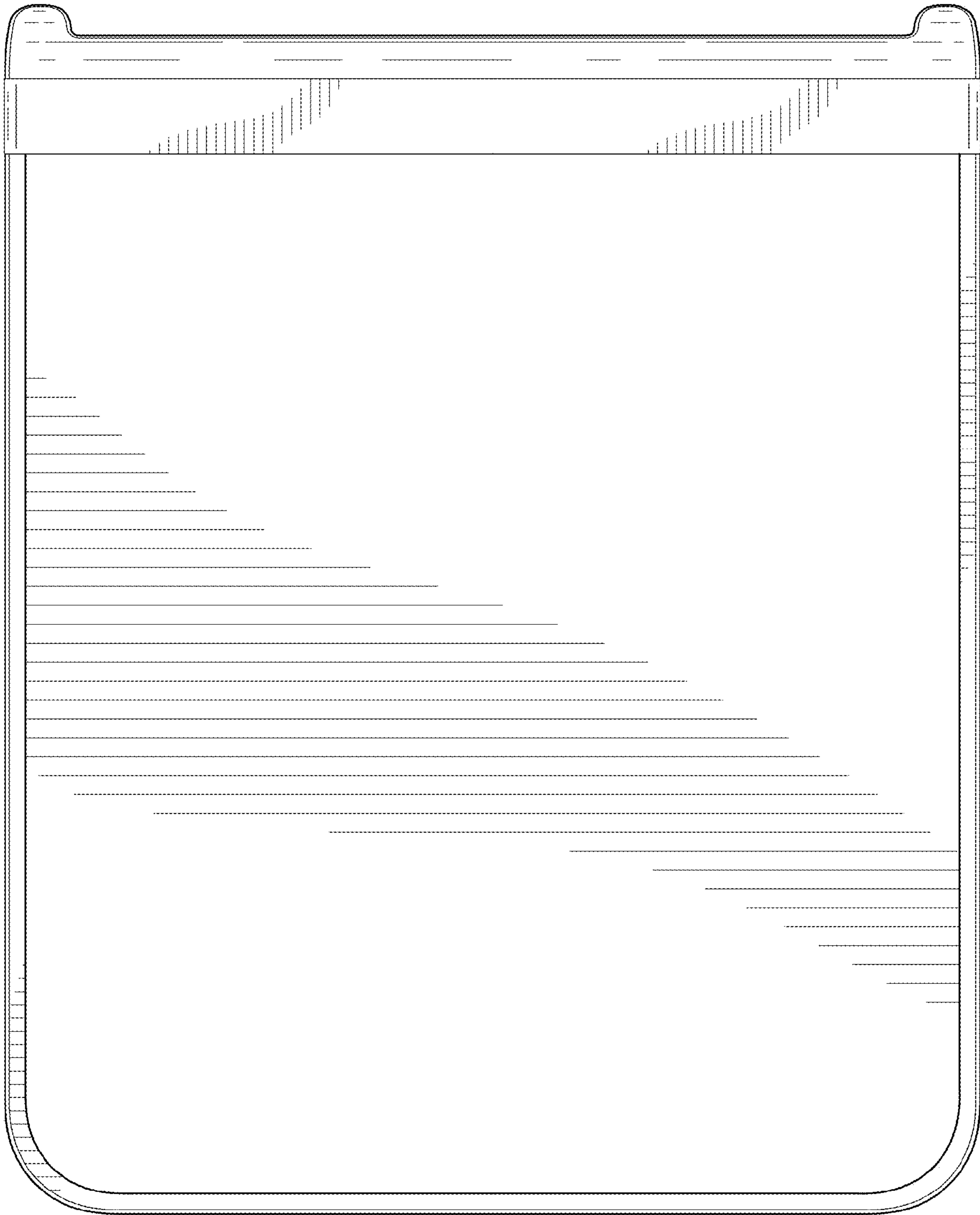


FIG. 5

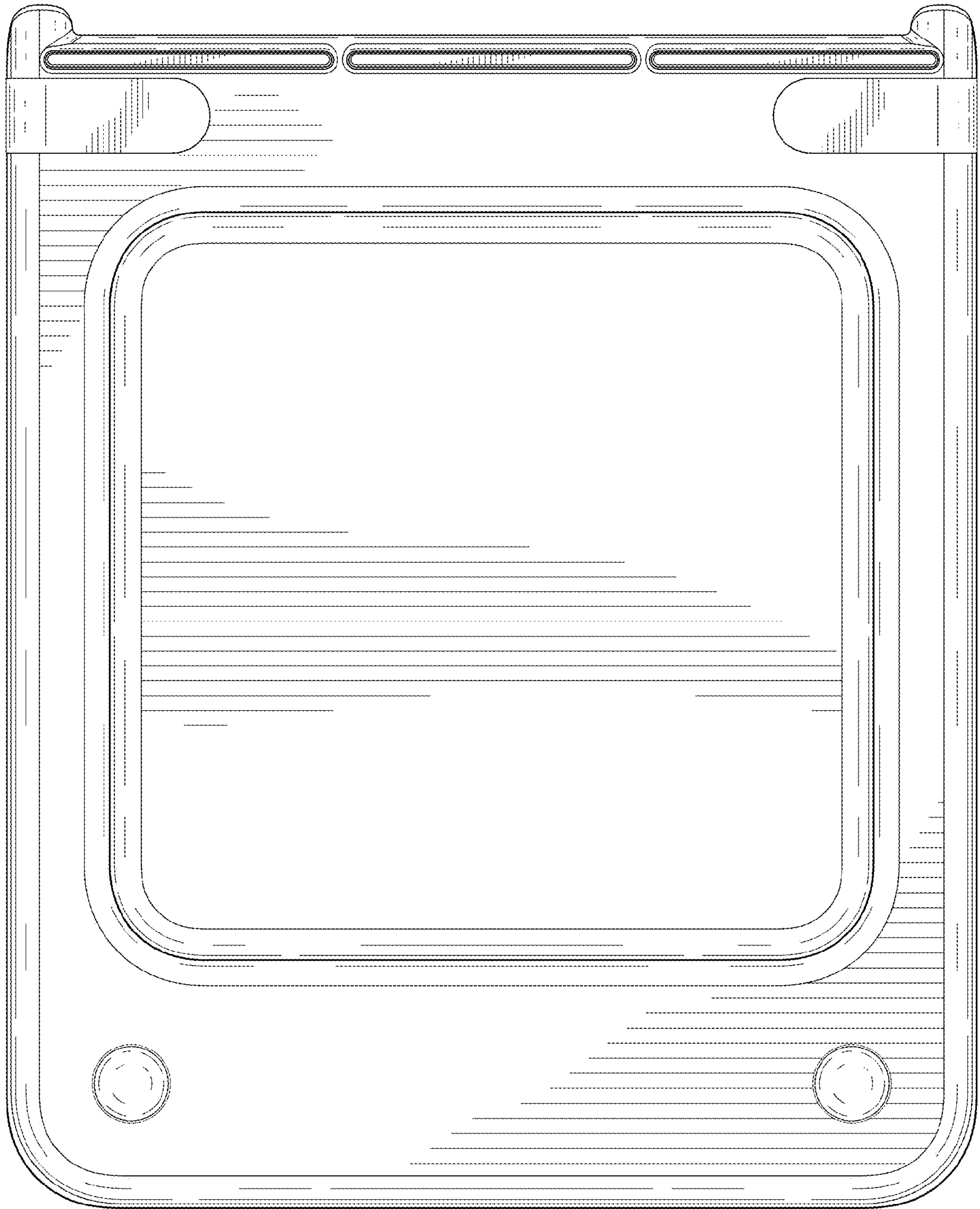


FIG. 6

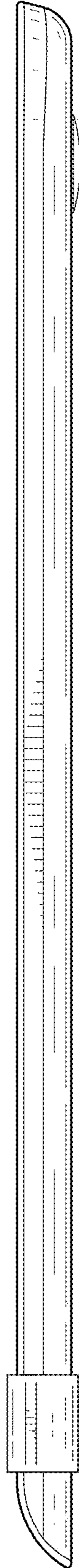


FIG. 7

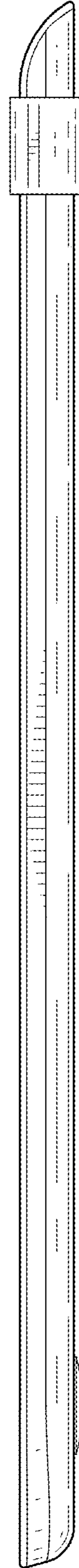


FIG. 8



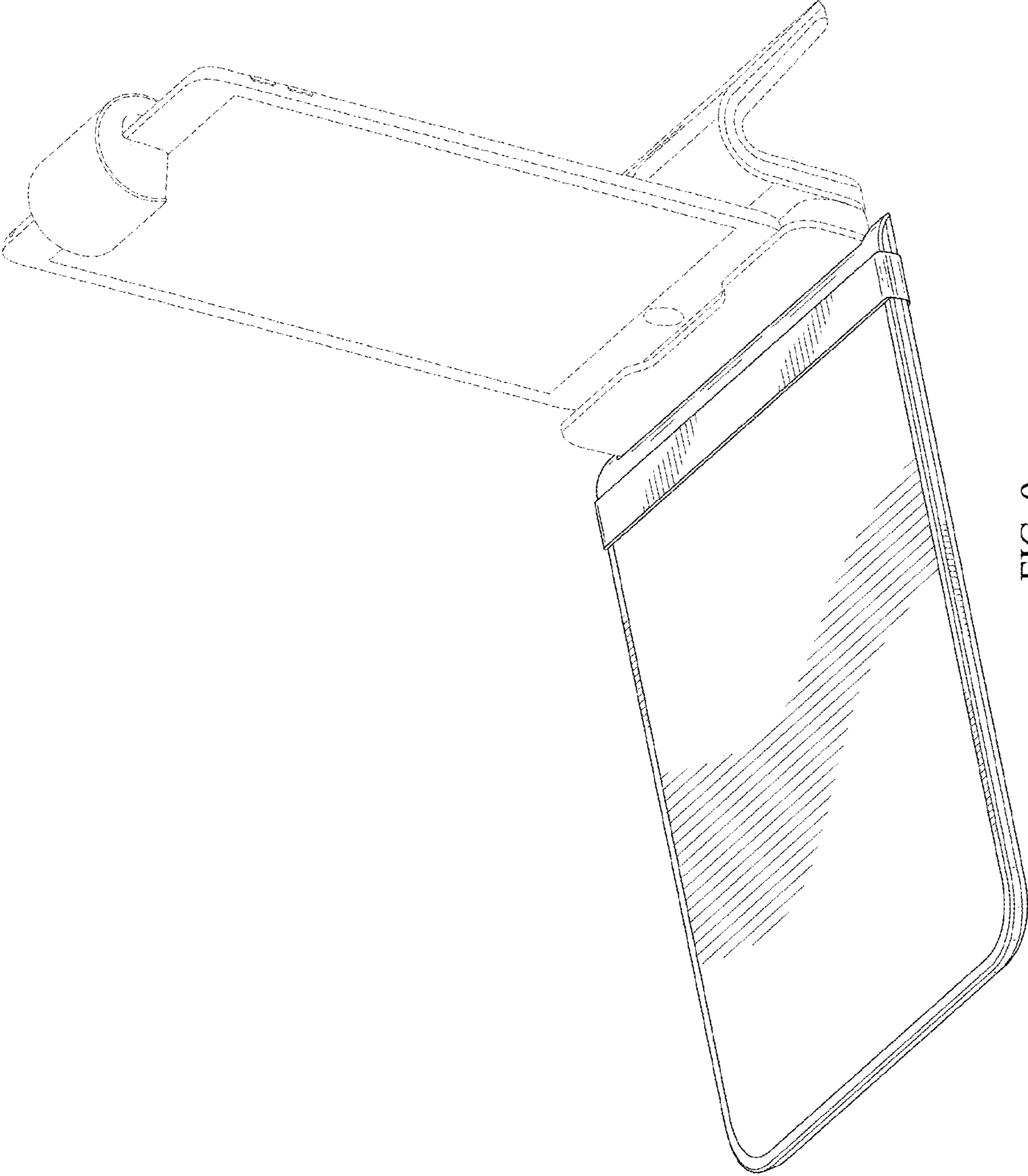


FIG. 9

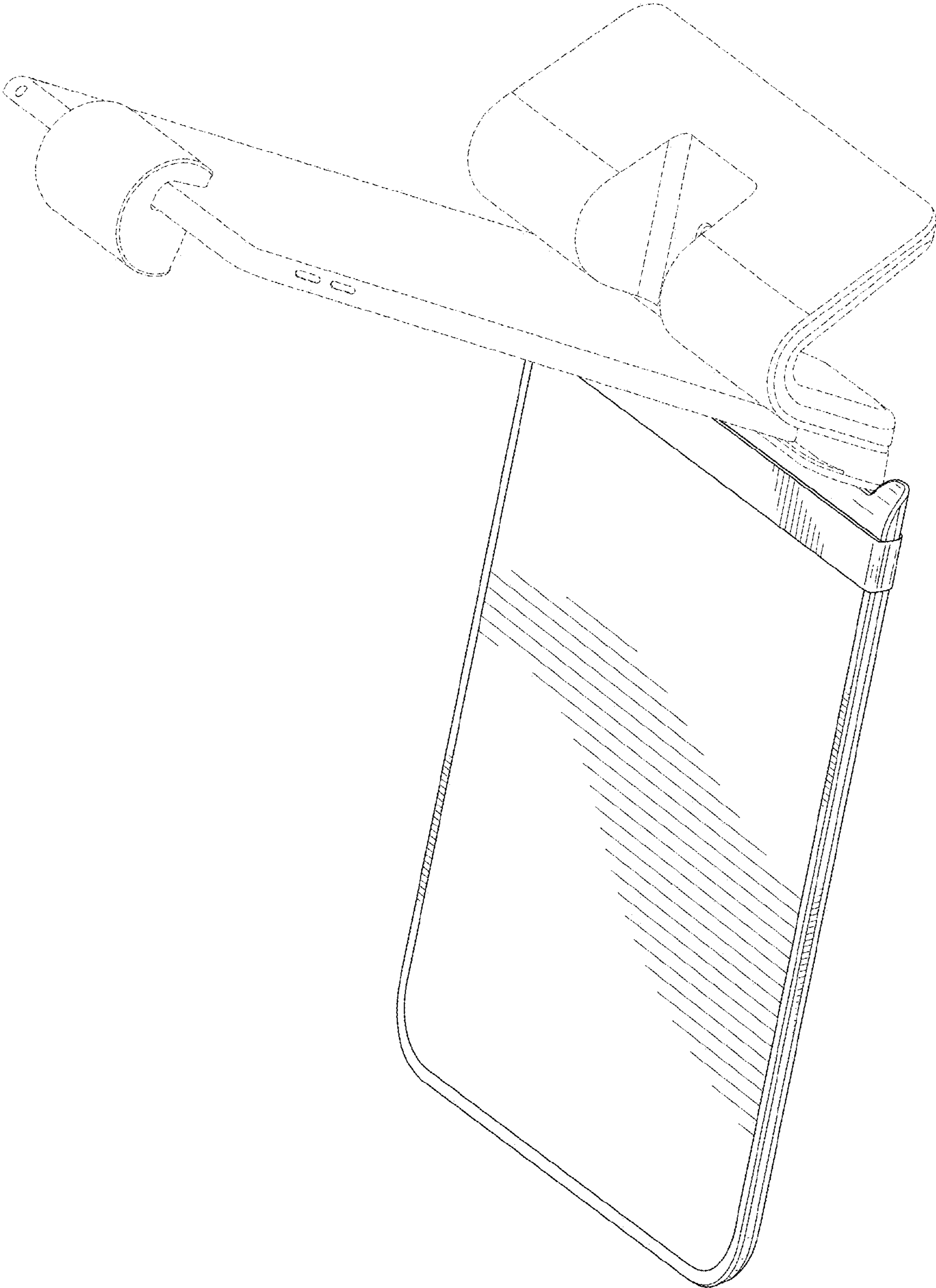


FIG. 10