



US00D980207S

(12) **United States Design Patent**
Zheng

(10) **Patent No.:** **US D980,207 S**
(45) **Date of Patent:** **** Mar. 7, 2023**

(54) **MOBILE PHONE HOLDER**
(71) Applicant: **Shaoyan Zheng**, Shantou (CN)
(72) Inventor: **Shaoyan Zheng**, Shantou (CN)
(73) Assignee: **Shaoyan Zheng**, Shantou (CN)
(**) Term: **15 Years**
(21) Appl. No.: **29/853,833**

D877,688 S * 3/2020 Liu D12/415
D879,090 S * 3/2020 Chung D12/415
D881,200 S * 4/2020 Leeds-Frank D14/447
D887,417 S * 6/2020 Yarbough D14/447
D889,454 S * 7/2020 Liu D14/253
D892,787 S * 8/2020 Chen D14/253
D894,829 S * 9/2020 Zhang D13/108
D895,601 S * 9/2020 Liao D14/253
D895,602 S * 9/2020 Cheng D14/253
D896,177 S * 9/2020 Zheng D13/108
D896,215 S * 9/2020 Li D14/253

(Continued)

(22) Filed: **Sep. 19, 2022**
(51) **LOC (14) Cl.** **14-03**
(52) **U.S. Cl.**
USPC **D14/253**; D12/415
(58) **Field of Classification Search**
USPC D14/356, 412-413, 432-434, 435.1, 447,
D14/451-452, 457, 142, 203.8, 209.1,
D14/217, 224, 224.1, 229, 238, 240,
D14/251-253; D12/400, 406, 415-418,
D12/422, 223; D3/218, 269; D9/455;
D6/553, 512; D16/242, 245; D8/355
CPC H04M 1/04; H04M 1/06; H04M 1/11;
H04M 1/12; H04M 1/14; H04M 1/13;
H04M 1/15; H04M 1/026; H04M 1/03;
H04M 1/0254; H04M 1/0249; H04M
1/0206; H04M 1/02; H04M 1/0202; A45F
2200/0516; A45F 2200/0525; G06F
1/1628
See application file for complete search history.

OTHER PUBLICATIONS

Xiao, Jilin et al., CN Design No. 305103631, published at Orbit, publication date Apr. 9, 2019. Site visited Nov. 26, 2022. Available from Internet. (Year: 2019).*

(Continued)

Primary Examiner — Kathleen L Jones
(74) *Attorney, Agent, or Firm* — Nitin Kaushik

(57) **CLAIM**

The ornamental design for a mobile phone holder, as shown and described.

DESCRIPTION

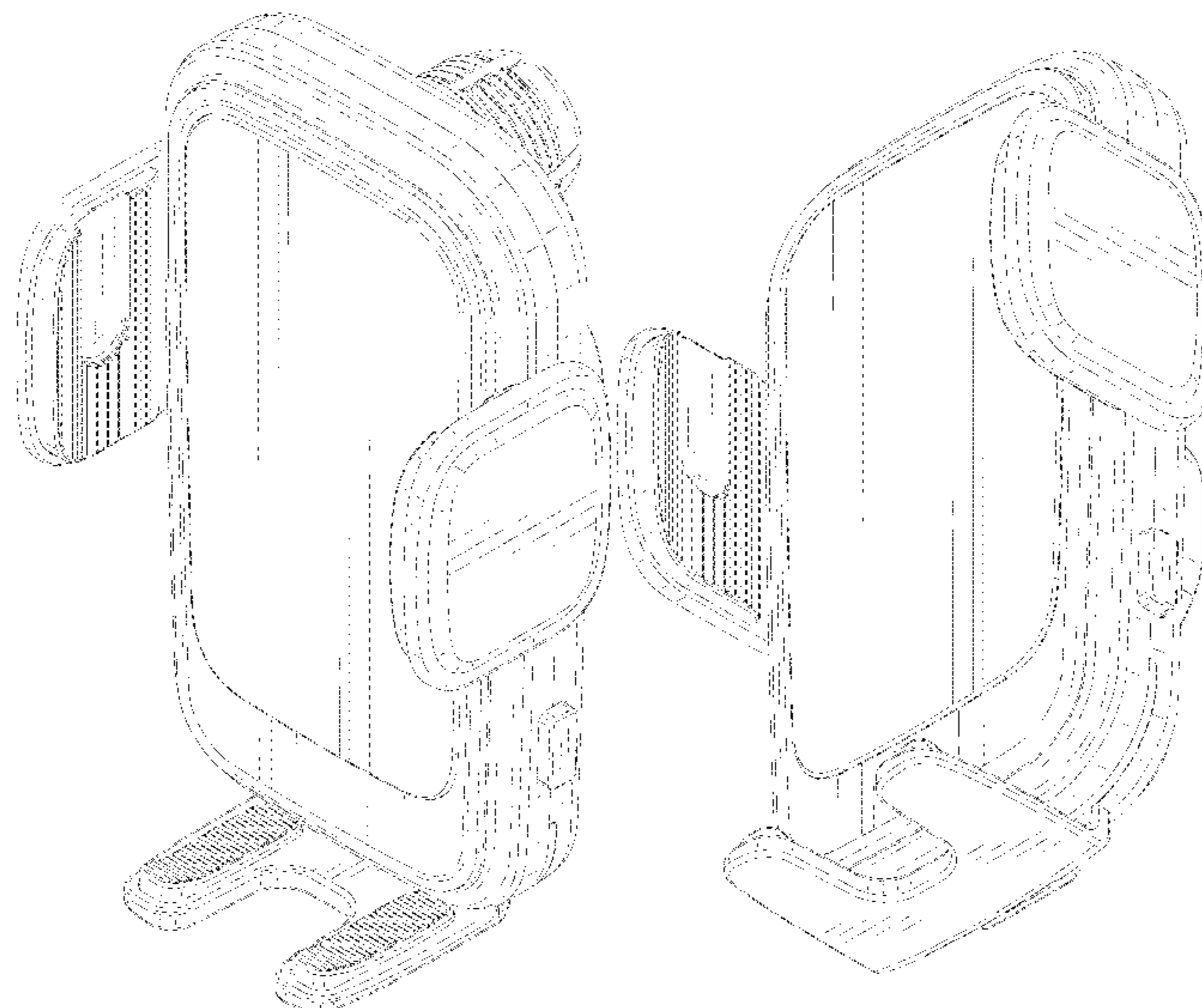
FIG. 1 is a top perspective view of a mobile phone holder, showing my new design;
FIG. 2 is a bottom perspective view thereof;
FIG. 3 is a front view thereof;
FIG. 4 is a rear view thereof;
FIG. 5 is a left side view thereof;
FIG. 6 is a right side view thereof;
FIG. 7 is a top view thereof; and,
FIG. 8 is a bottom view thereof.
The broken lines in the drawings illustrate the portions of the mobile phone holder, which form no part of the claimed design.

1 Claim, 8 Drawing Sheets

(56) **References Cited**

U.S. PATENT DOCUMENTS

D535,988 S * 1/2007 Kettula D14/253
D606,065 S * 12/2009 Rihu D14/253
D784,923 S * 4/2017 Song D13/108
D832,248 S * 10/2018 Sukphist D14/253
D859,393 S * 9/2019 Dang D12/415
D861,670 S * 10/2019 Li D14/447
D862,454 S * 10/2019 Chun D12/415
D864,186 S * 10/2019 Du D14/253



(56)

References Cited

U.S. PATENT DOCUMENTS

D900,087	S	*	10/2020	Leeds-Frank	D14/253
D907,029	S	*	1/2021	Khubani	D14/253
D908,689	S	*	1/2021	Chen	D14/253
D911,951	S	*	3/2021	Yang	D13/108
D926,107	S	*	7/2021	Leeds-Frank	D12/415
D927,479	S	*	8/2021	Wang	D14/253
D927,480	S	*	8/2021	Wang	D14/253
D928,140	S	*	8/2021	Wang	D14/253
D929,392	S	*	8/2021	Shi	D14/253
D933,646	S	*	10/2021	Liao	D12/415
D934,235	S	*	10/2021	Liao	D12/415
D943,571	S	*	2/2022	Deng	D12/415
D946,492	S	*	3/2022	Qu	D12/415
D955,980	S	*	6/2022	Zhao	D13/108
D960,143	S	*	8/2022	Wu	D14/253
D960,883	S		8/2022	Li		

OTHER PUBLICATIONS

Andrews, Stuart, Best car phone holder 2022, posted at ExpertReviews, posting date Jan. 18, 2022. Site visited Nov. 19, 2022. URL: <<https://www.expertreviews.co.uk/mobile-phones/1406375/best-car-phone-holder-the-best-windscreen-vent-and-dashboard-phone-holders>> (Year: 2022).*

Best Cell Phone Holder for Car Reviews in 2022, posted at AutoBlog Commerce, posting date May 26, 2022. Site visited Nov. 19, 2022. URL: <<https://www.autoblog.com/article/cell-phone-holder-for-car/>> (Year: 2022).*

* cited by examiner

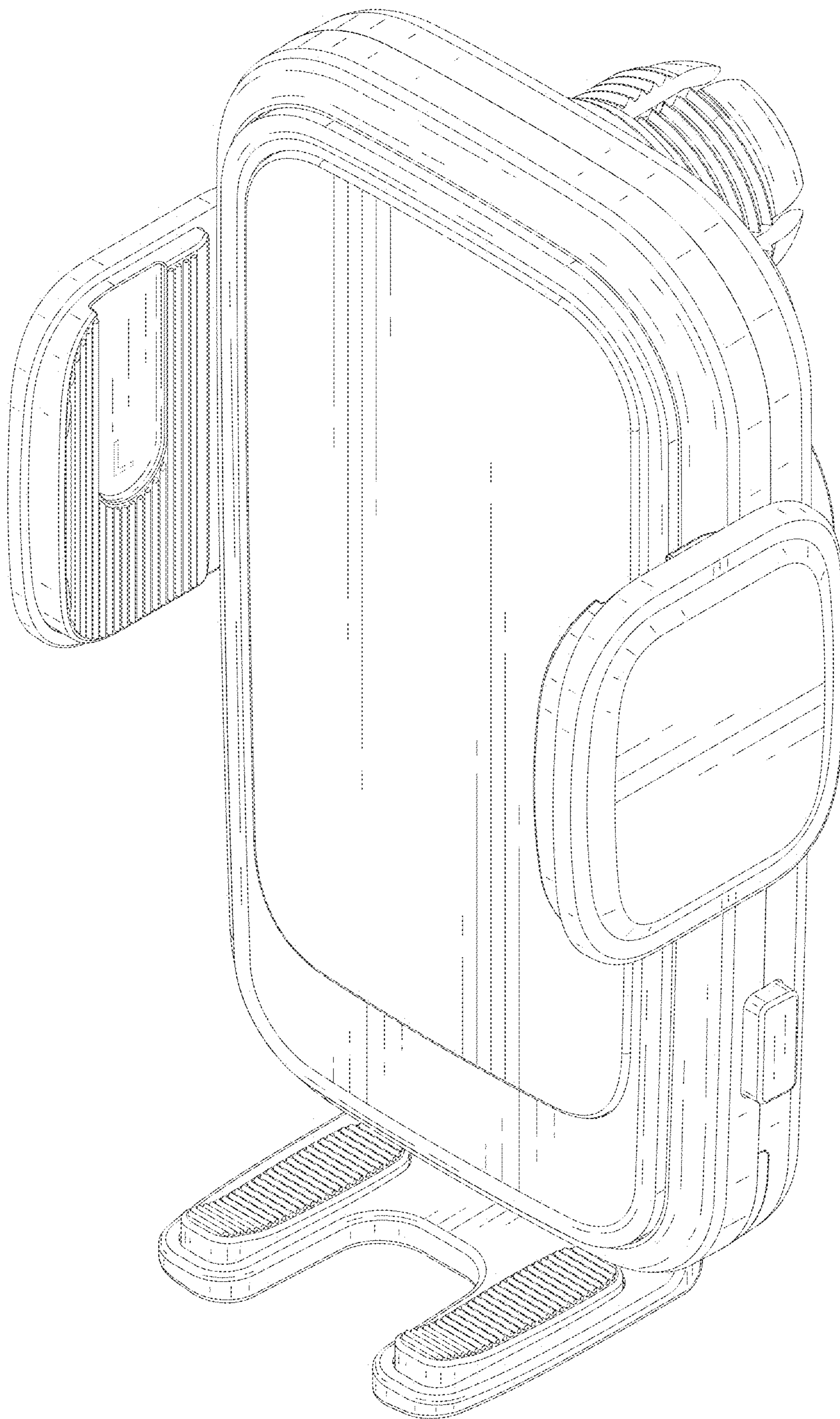


FIG. 1

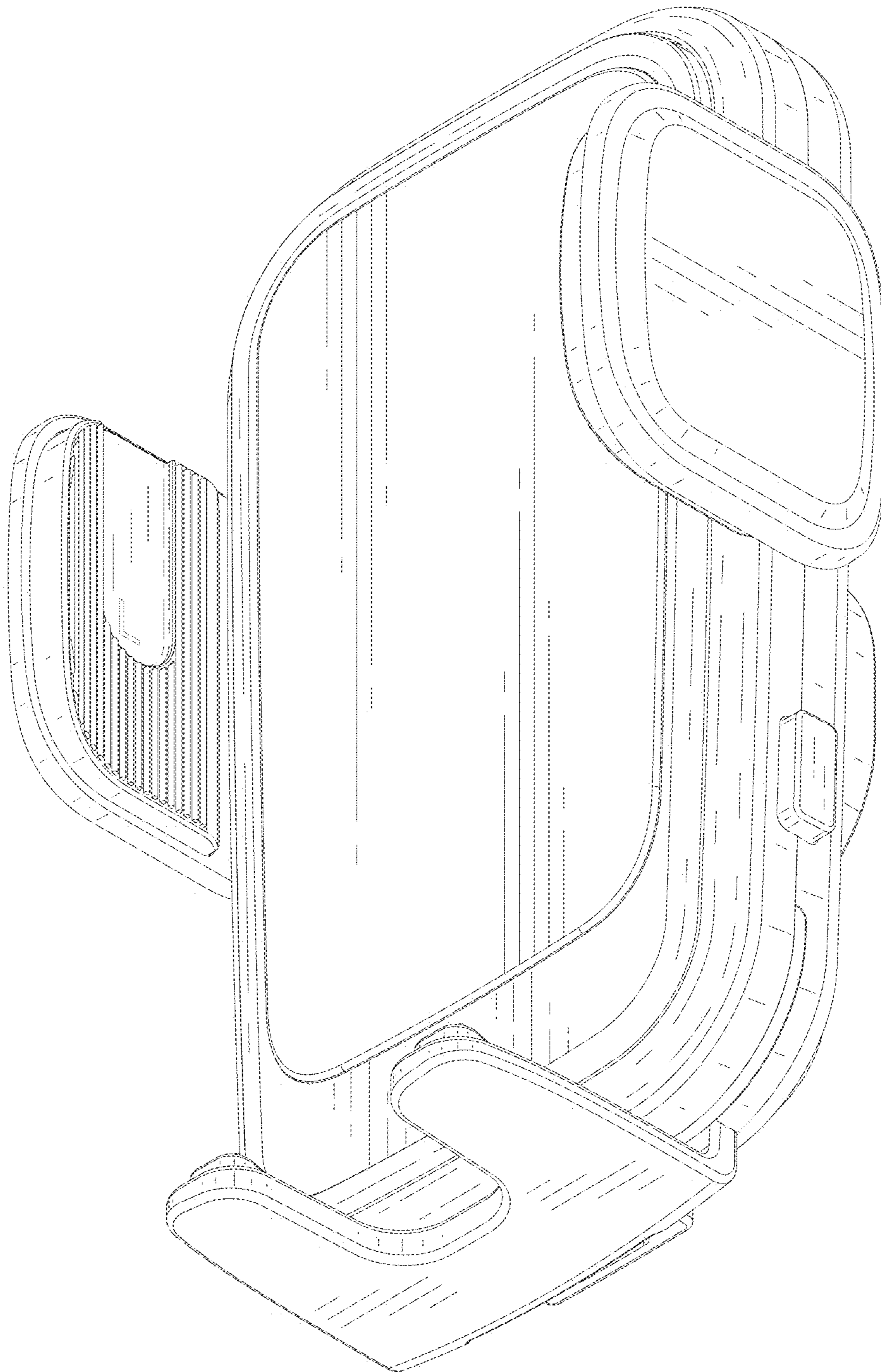


FIG. 2

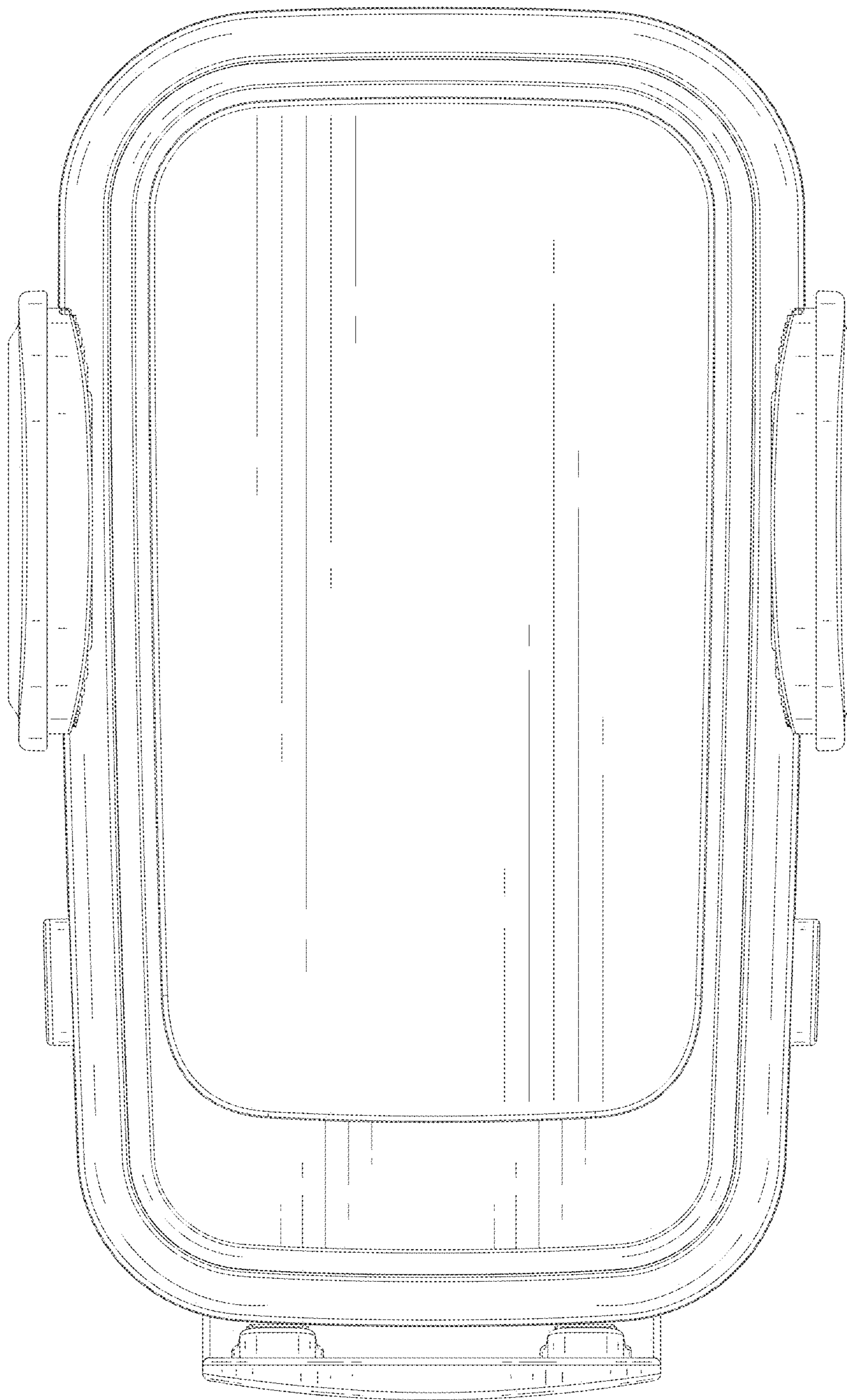


FIG. 3

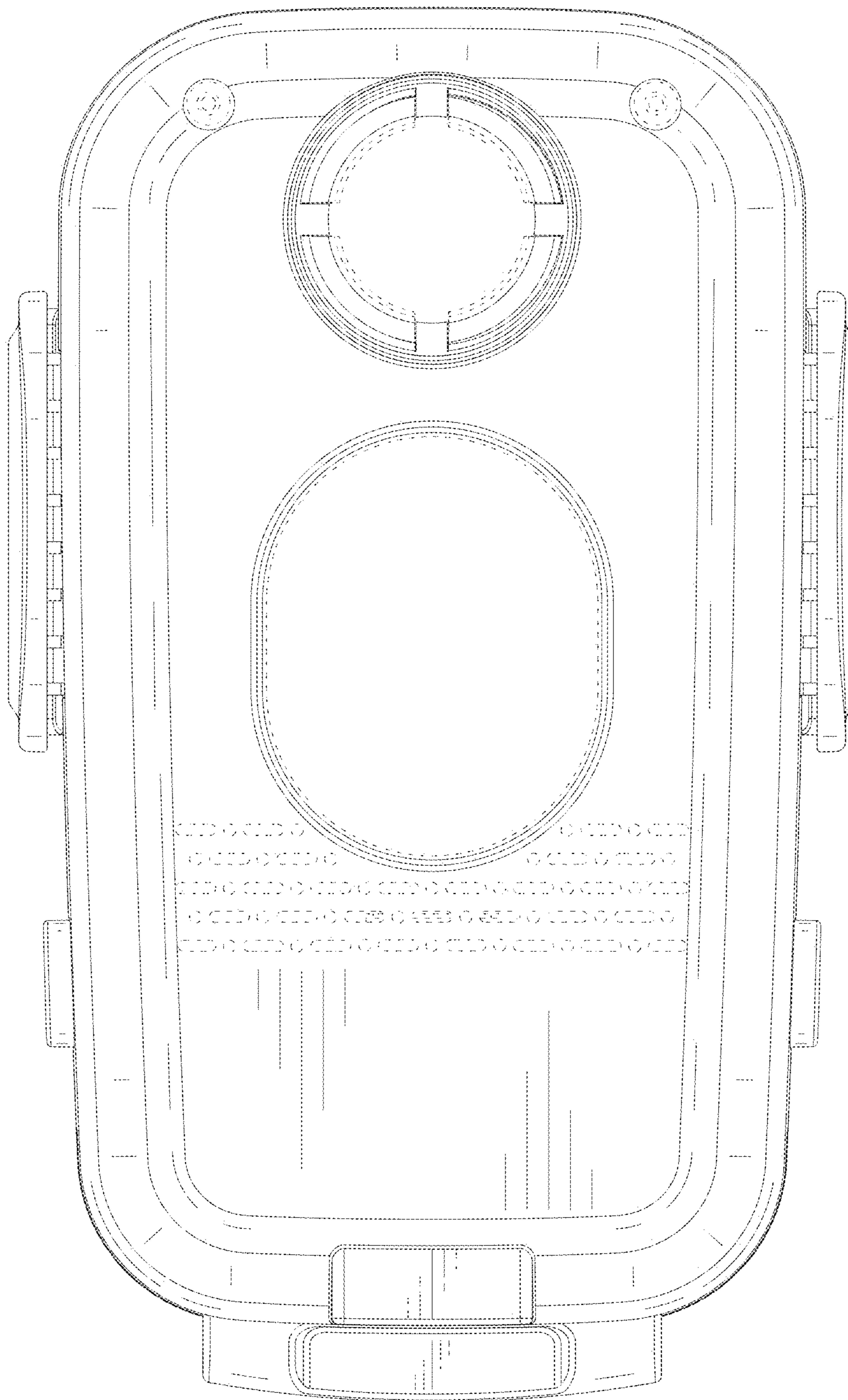


FIG. 4

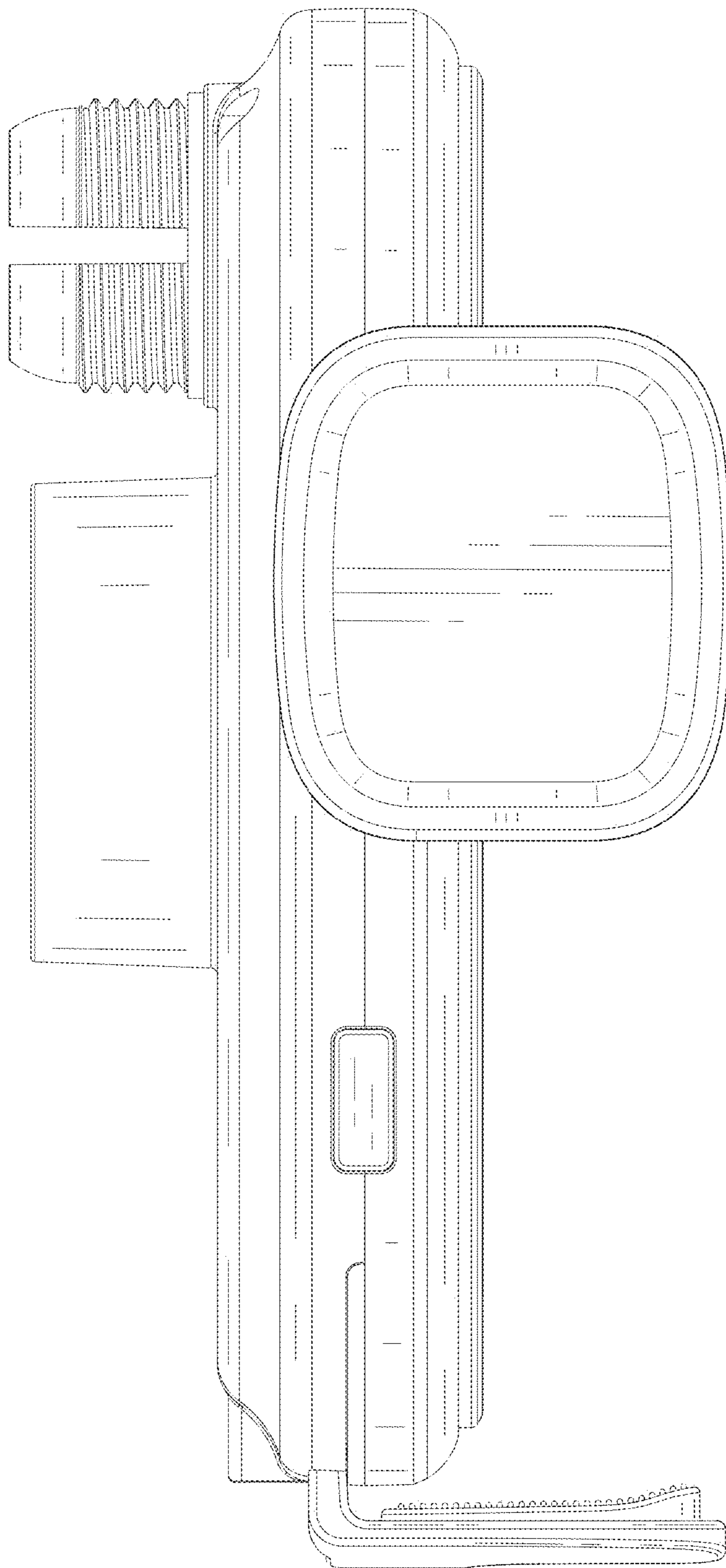


FIG. 5

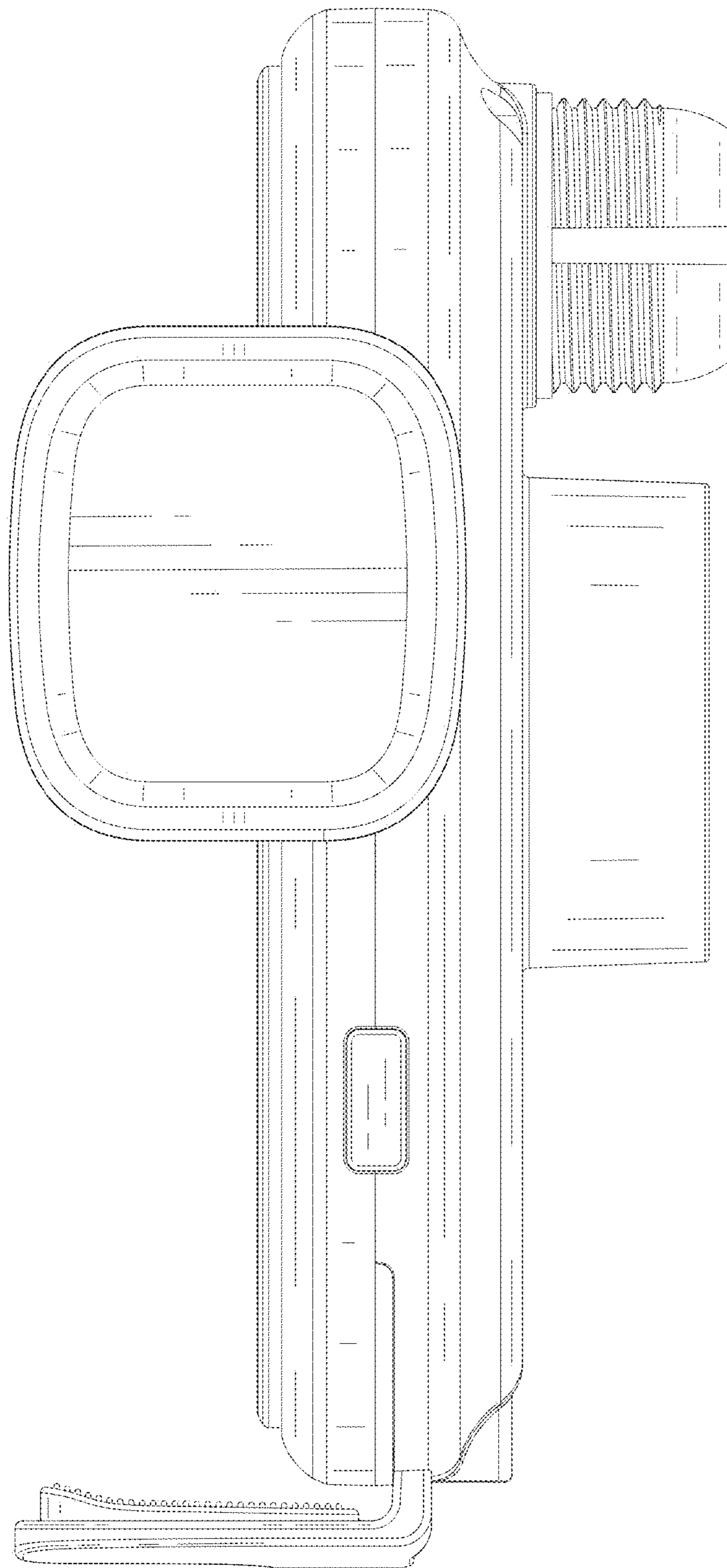


FIG. 6

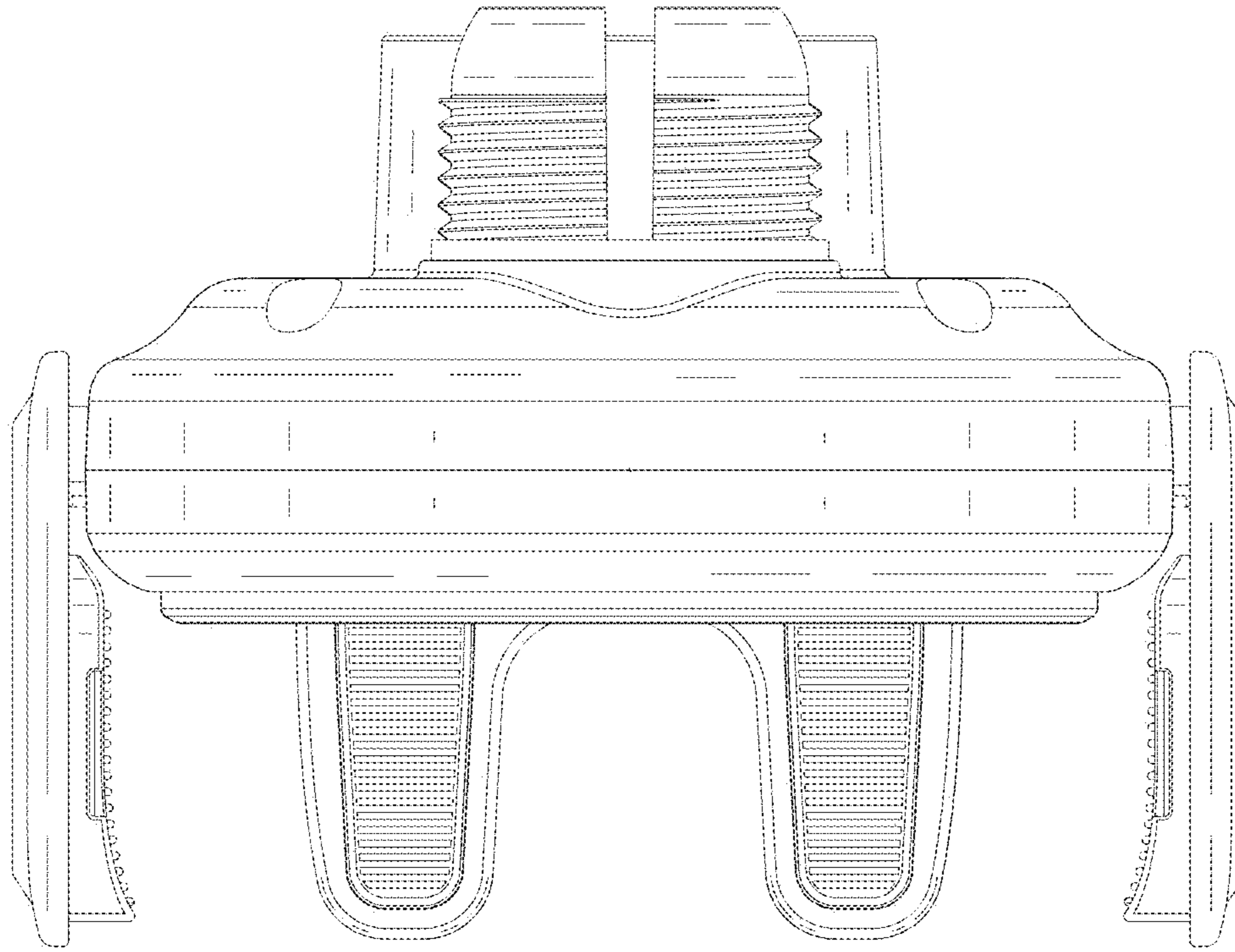


FIG. 7

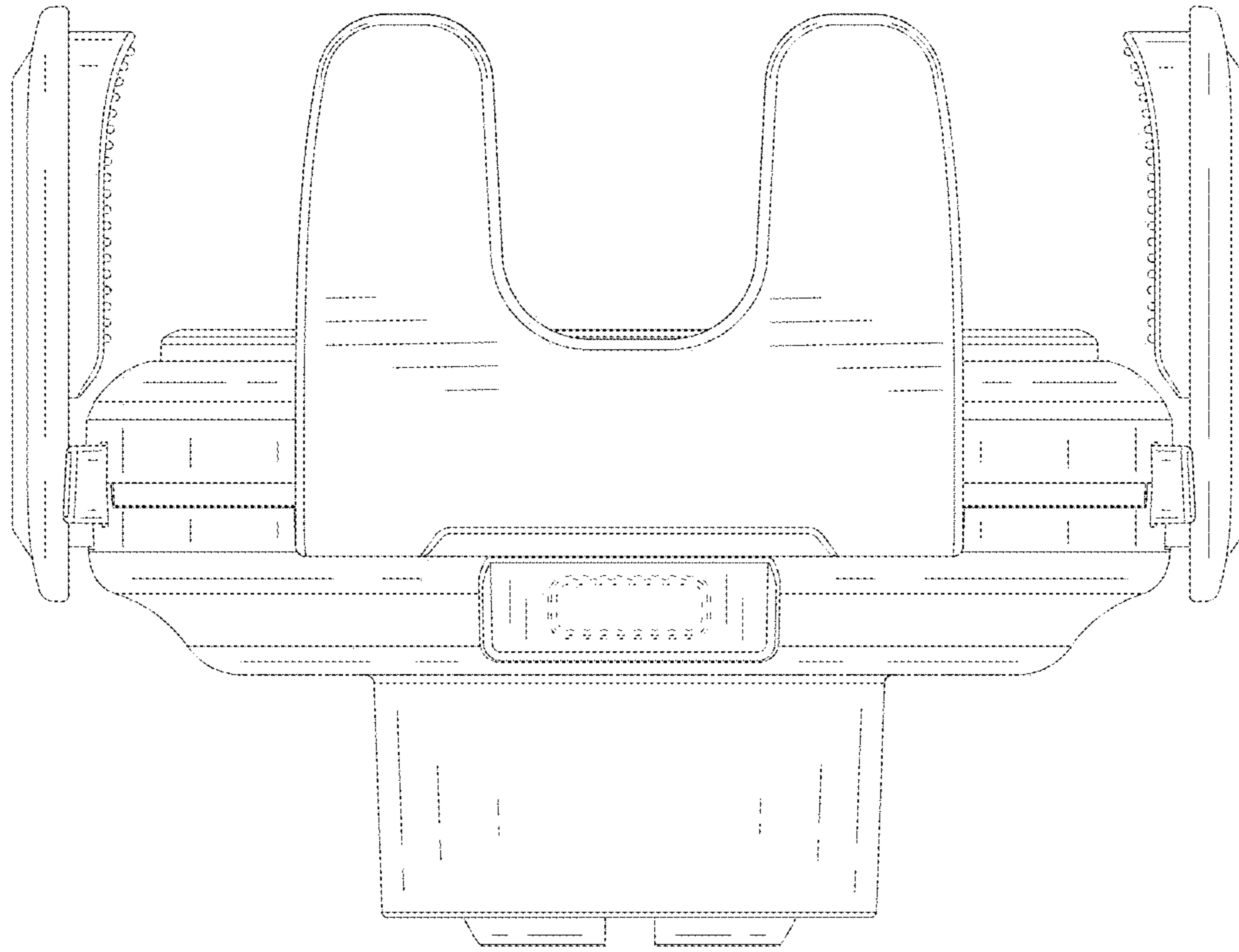


FIG. 8