



US00D980206S

(12) **United States Design Patent** (10) **Patent No.:** **US D980,206 S**
Rong (45) **Date of Patent:** **** Mar. 7, 2023**

(54) **ADJUSTABLE STAND WITH SUCTION CUP**

D942,389 S * 2/2022 Sun D14/447
D944,786 S * 3/2022 Liu D14/253
D944,788 S * 3/2022 Huang D14/253
D957,329 S * 7/2022 Turksu D13/108
D959,442 S * 8/2022 Liao D14/451
D960,094 S * 8/2022 Jiang D13/108

(71) Applicant: **SHENZHEN RONGCHUANGTONGTUO CROSS-BORDER E-COMMERCE CO., LTD.**, Shenzhen (CN)

(Continued)

(72) Inventor: **Zewen Rong**, Shenzhen (CN)

OTHER PUBLICATIONS

(73) Assignee: **SHENZHEN RONGCHUANGTONGTUO CROSS-BORDER E-COMMERCE CO., LTD.**, Shenzhen (CN)

Amazon.com_ EWA Magnetic Phone Stand, first available Nov. 23, 2021 [online], retrieved Nov. 30, 2022, available at URL: <https://a.co/d/6uVQCo7> (Year: 2021).*

(Continued)

(**) Term: **15 Years**

Primary Examiner — Wendy L Arminio

(21) Appl. No.: **29/849,301**

Assistant Examiner — Carrie S Gelula

(22) Filed: **Aug. 10, 2022**

(74) *Attorney, Agent, or Firm* — Daniel M. Cohn;
Howard M. Cohn

(51) **LOC (14) Cl.** **14-03**

(57) **CLAIM**

(52) **U.S. Cl.**
USPC **D14/253**

The ornamental design for an adjustable stand with suction cup, as shown and described.

(58) **Field of Classification Search**

DESCRIPTION

USPC D14/217, 250, 251, 252, 253, 434, 440,
D14/447, 451; D6/700, 701; D19/91,
D19/113; D13/108
CPC A47B 23/04; A47B 23/042; F16M 11/041;
F16M 11/10; F16M 13/00; H04M 1/04
See application file for complete search history.

FIG. 1 is a perspective view of an adjustable stand with suction cup showing my new design;
FIG. 2 is another perspective view thereof;
FIG. 3 is a front elevational view thereof;
FIG. 4 is a rear elevational view thereof;
FIG. 5 is a left side elevational view thereof;
FIG. 6 is a right side elevational view thereof;
FIG. 7 is a top plan view thereof;
FIG. 8 is a bottom plan view thereof; and,
FIG. 9 is a perspective view of the adjustable stand with suction cup where the adjustable stand with suction cup is in a folded state.

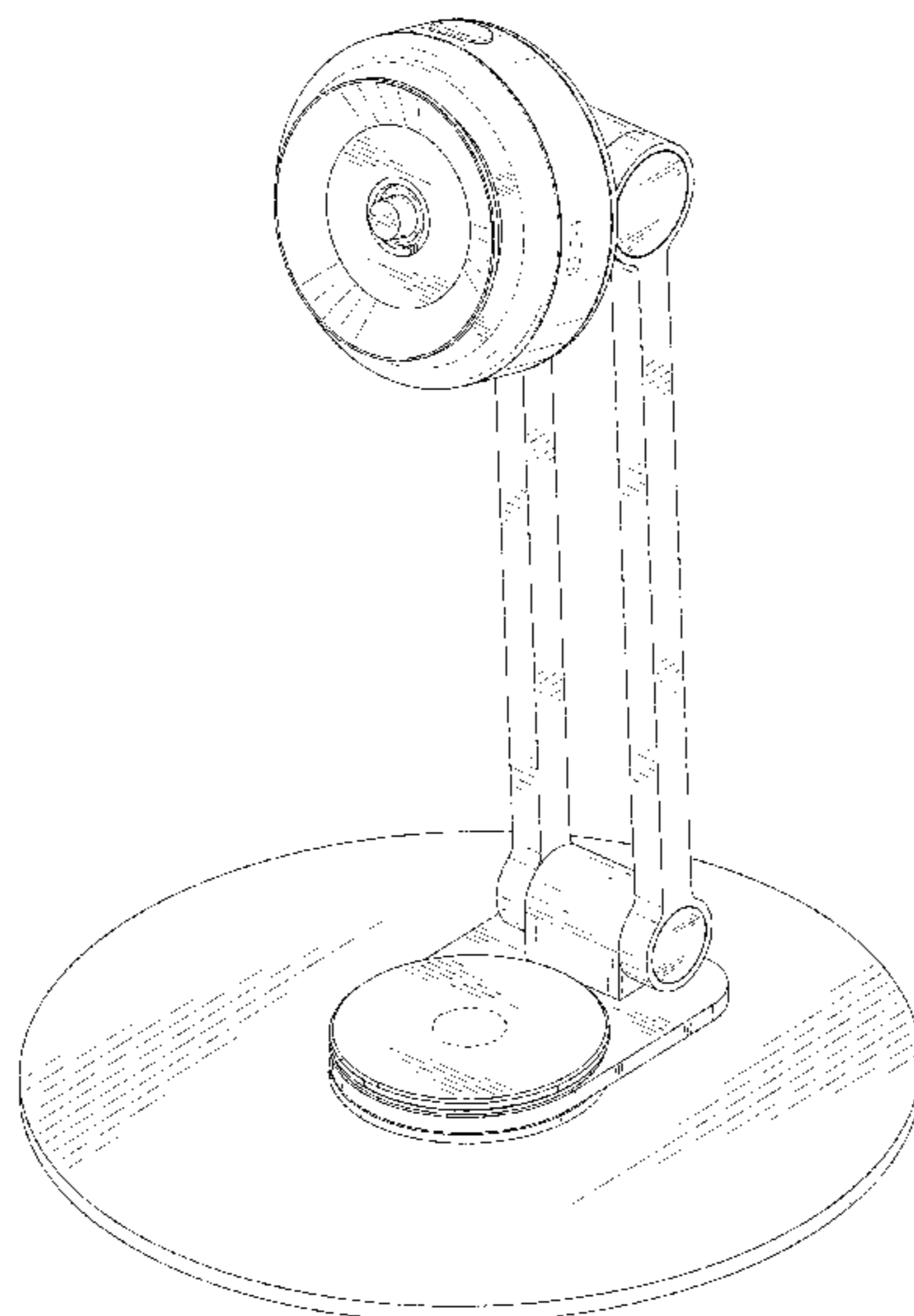
The broken lines in the drawings depict portions of the adjustable stand with suction cup that form no part of the claimed design.

(56) **References Cited**

U.S. PATENT DOCUMENTS

D677,709 S * 3/2013 Skeoch D16/242
D733,156 S * 6/2015 Choi D14/447
D758,375 S * 6/2016 Won D14/451
D761,045 S 7/2016 Hassinen et al.
D835,113 S * 12/2018 Kim D14/447
D851,587 S * 6/2019 Schmidt D13/108
D920,981 S * 6/2021 Zhang D14/434
D928,701 S * 8/2021 Liao D14/253
D941,285 S * 1/2022 Chang D14/253
D941,826 S 1/2022 Li

1 Claim, 9 Drawing Sheets



(56)

References Cited

U.S. PATENT DOCUMENTS

D964,274 S * 9/2022 Liao D13/108
2012/0131826 A1* 5/2012 Dai F16M 11/041
248/158

OTHER PUBLICATIONS

Amazon.com_ Omoton Swivel Tablet Stand, first available Jun. 29, 2021 [online], retrieved Nov. 30, 2022, available at URL: <https://a.co/d/aPFWZn4> (Year: 2021).*

* cited by examiner

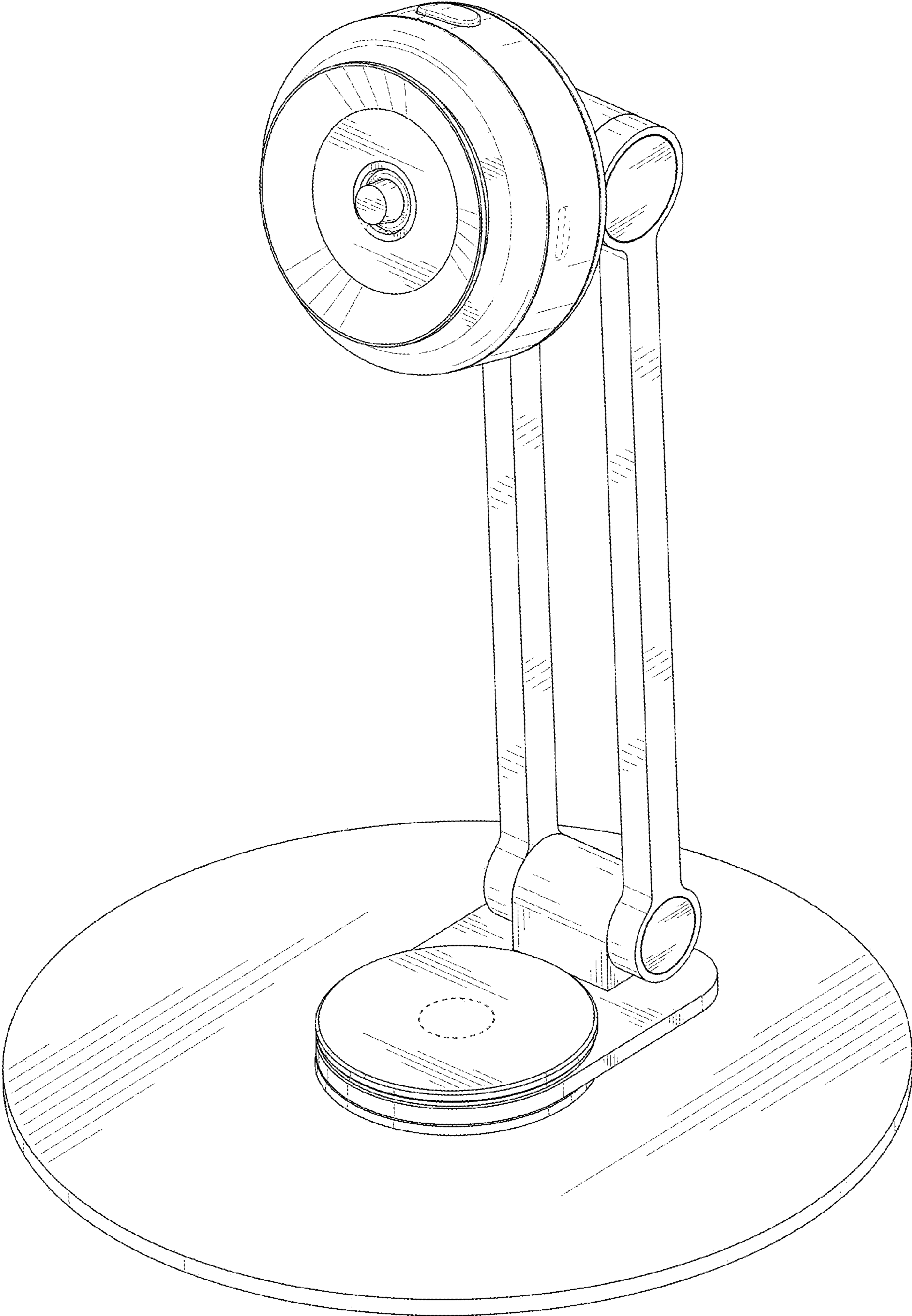


FIG. 1

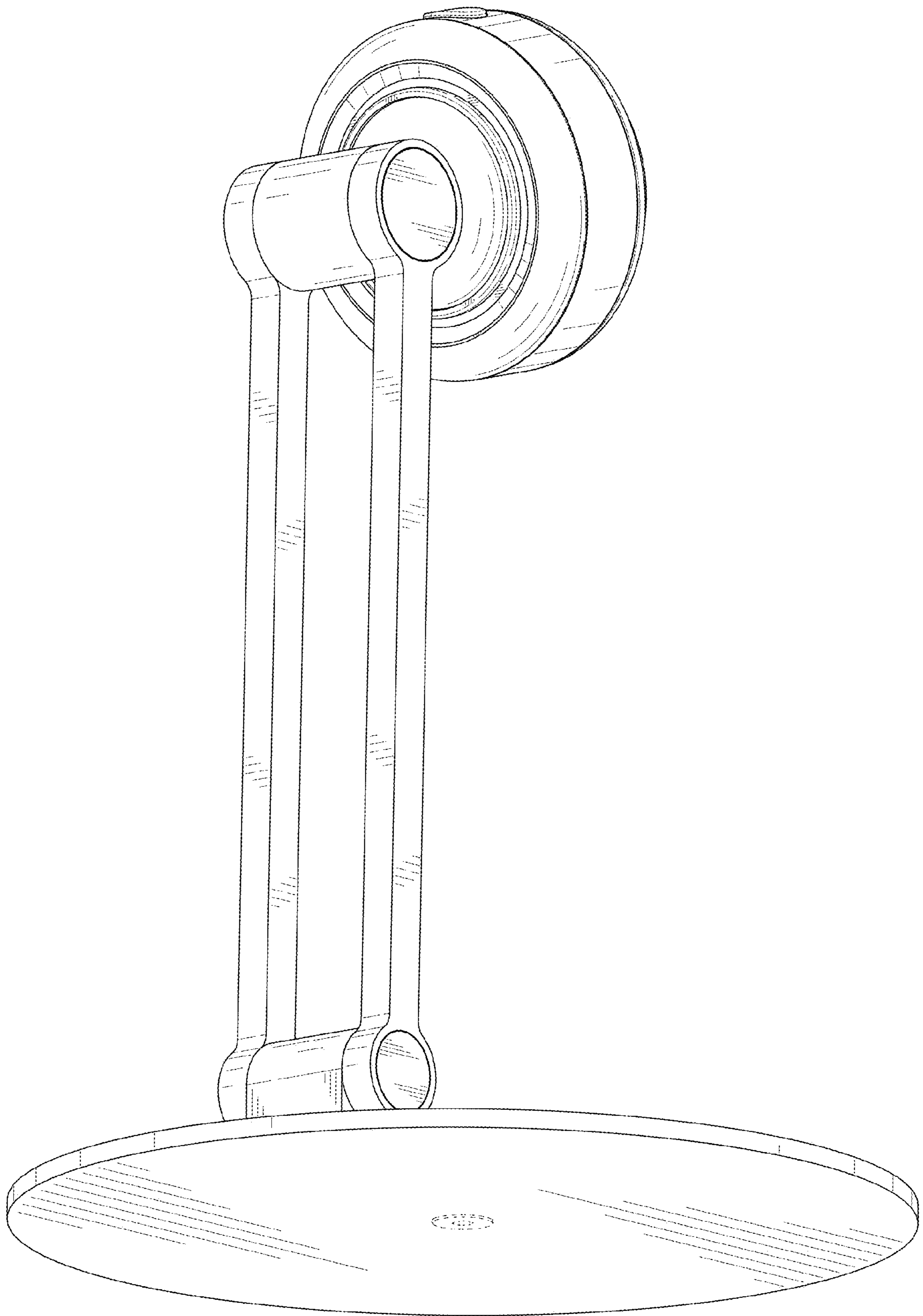


FIG. 2

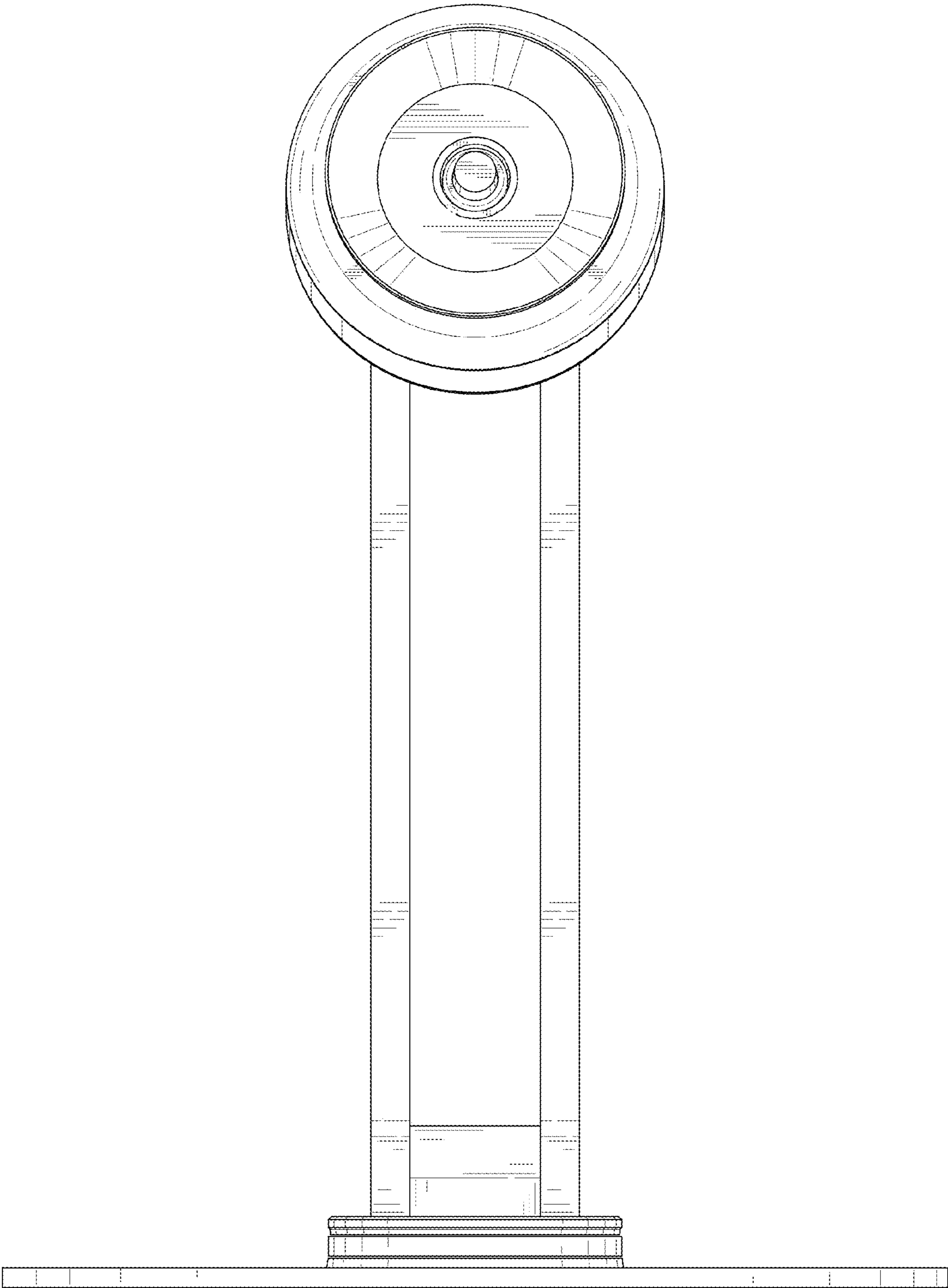


FIG. 3

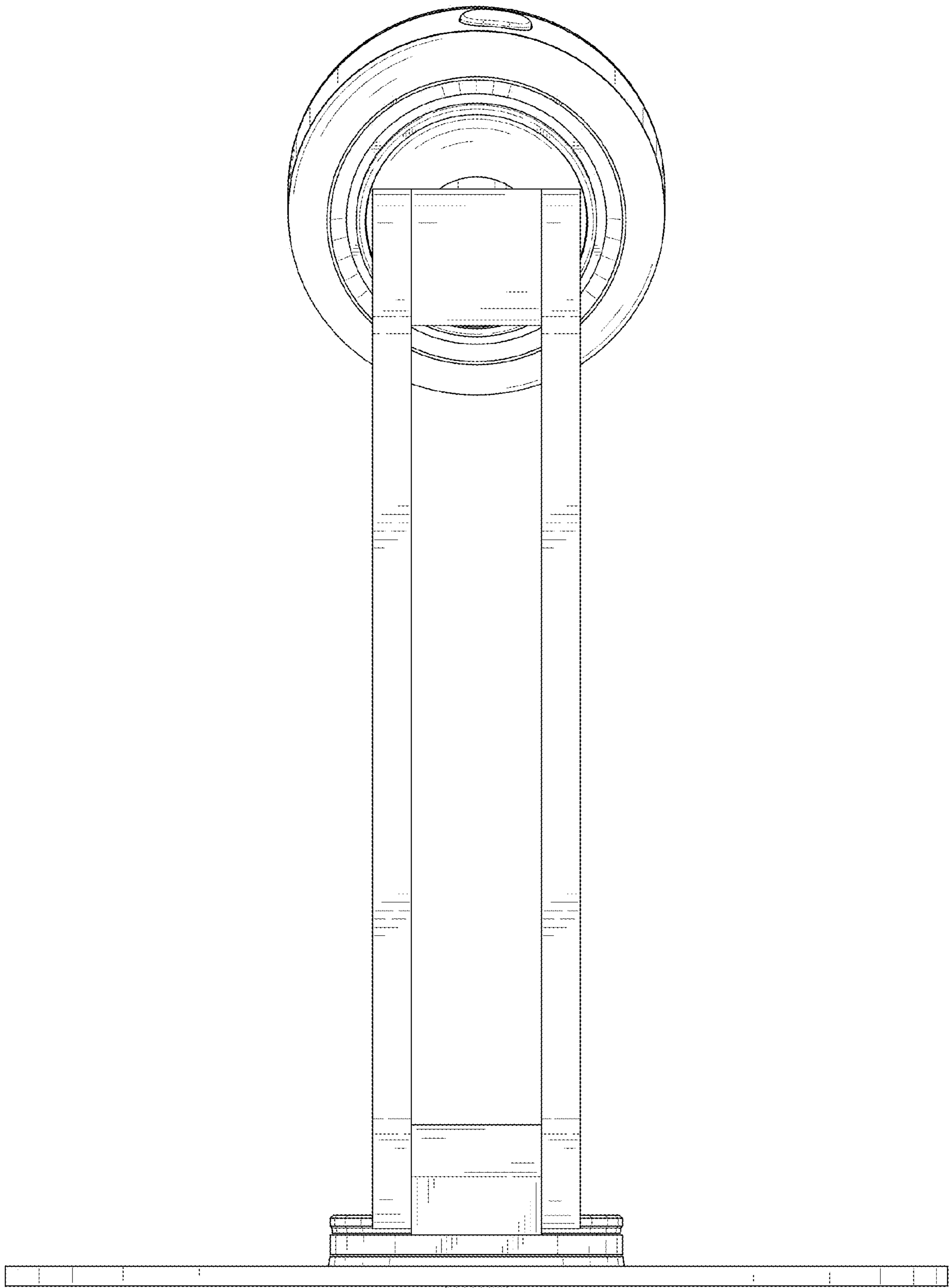


FIG. 4

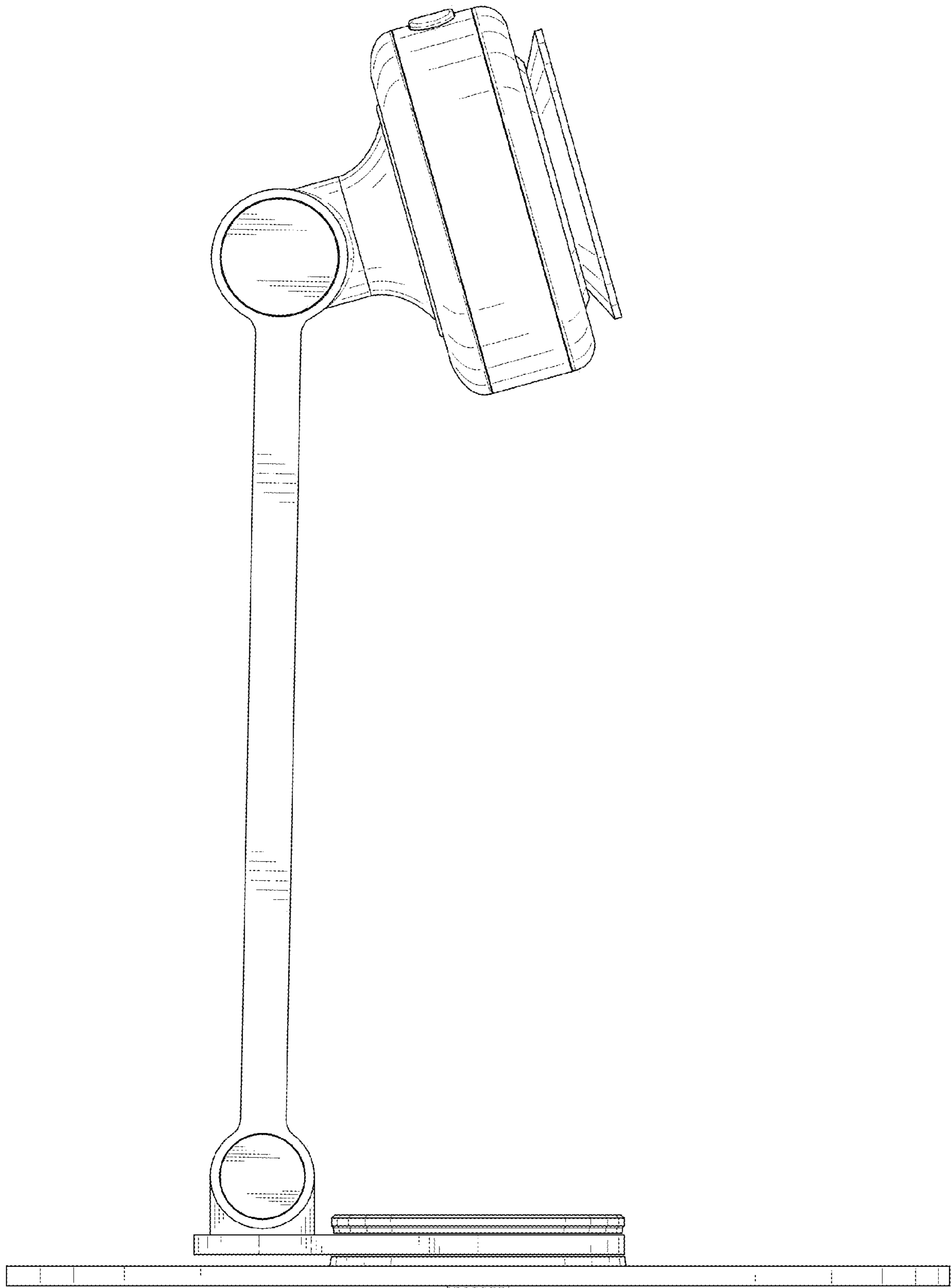


FIG. 5

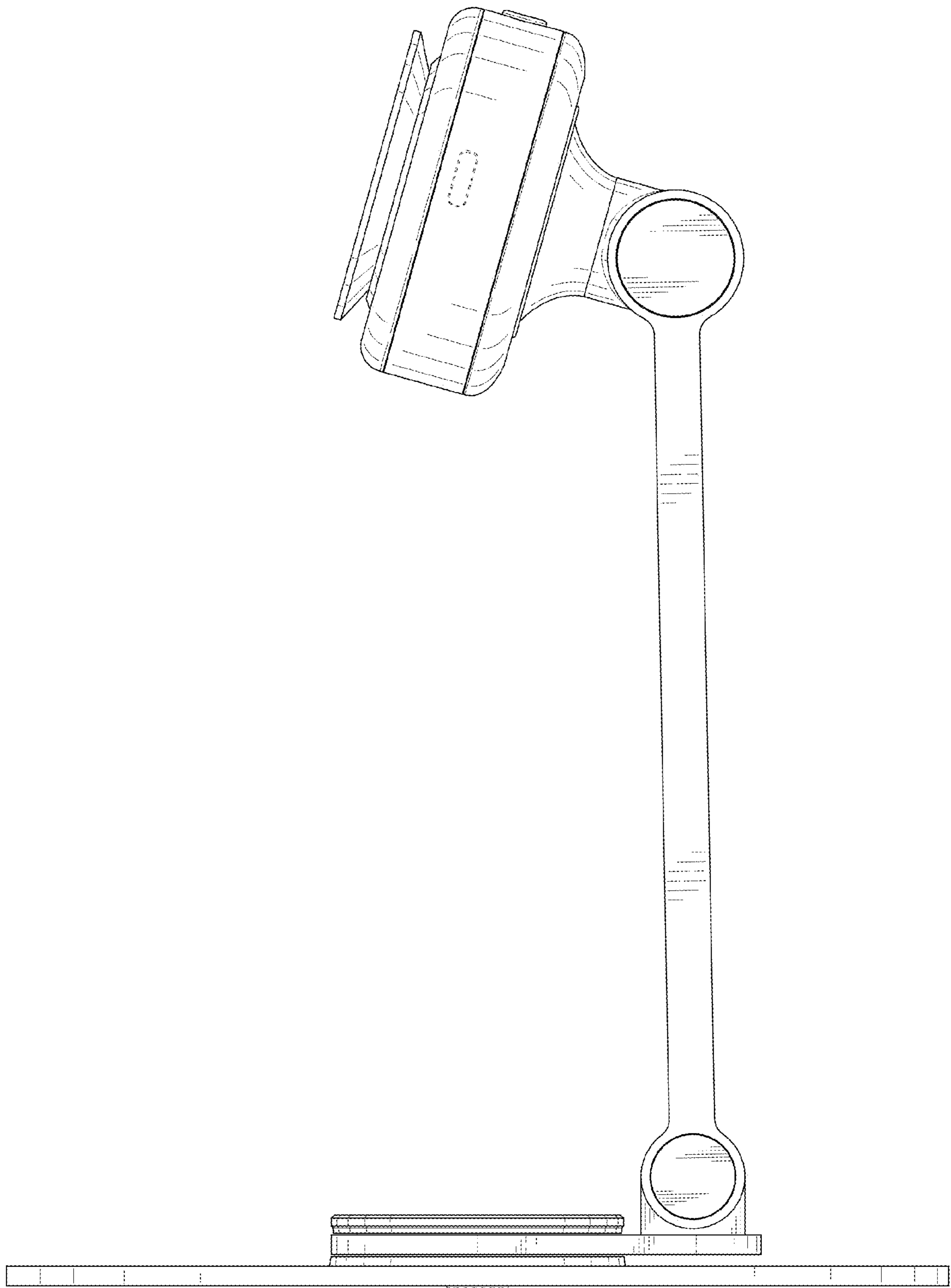


FIG. 6

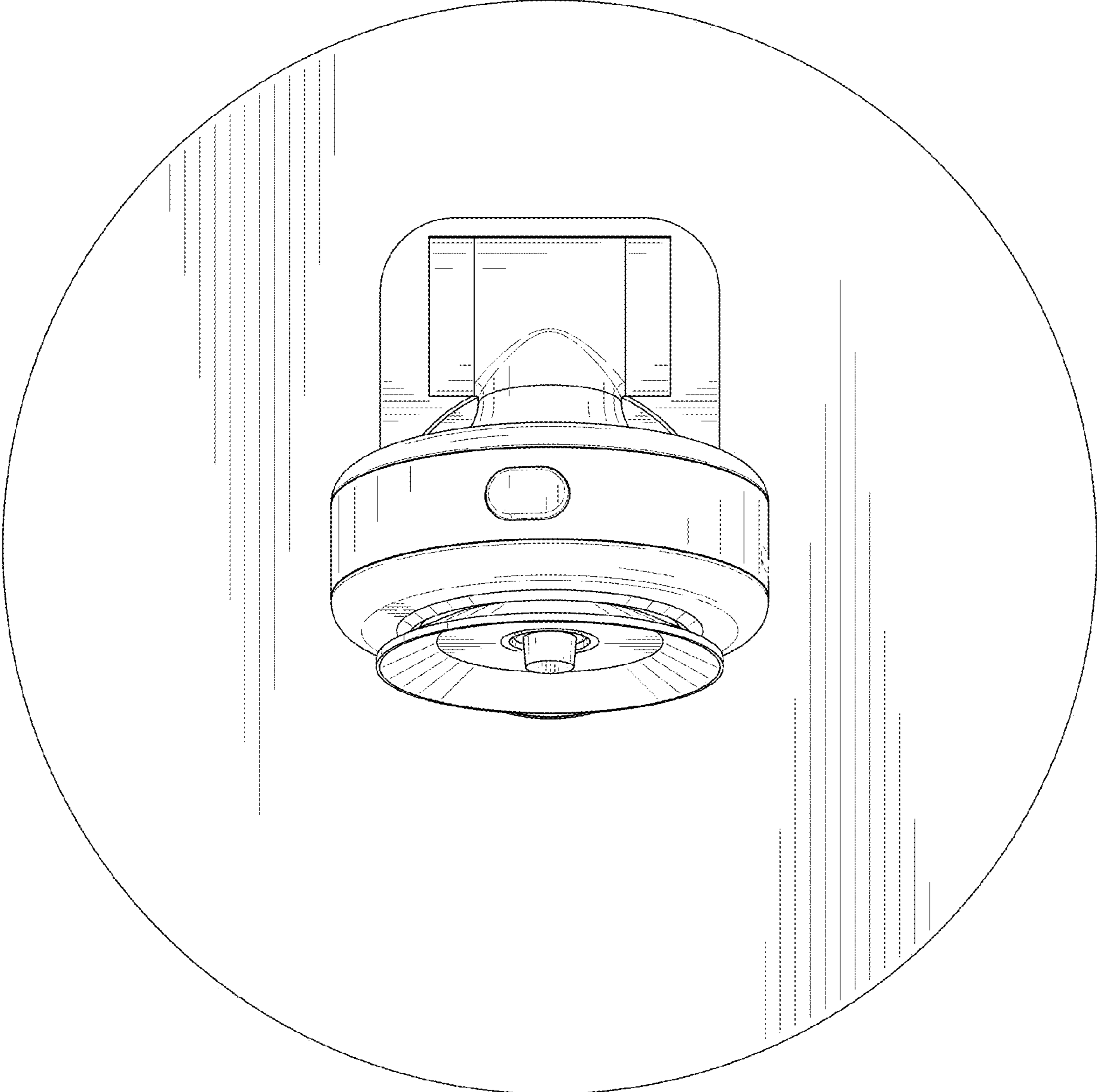


FIG. 7

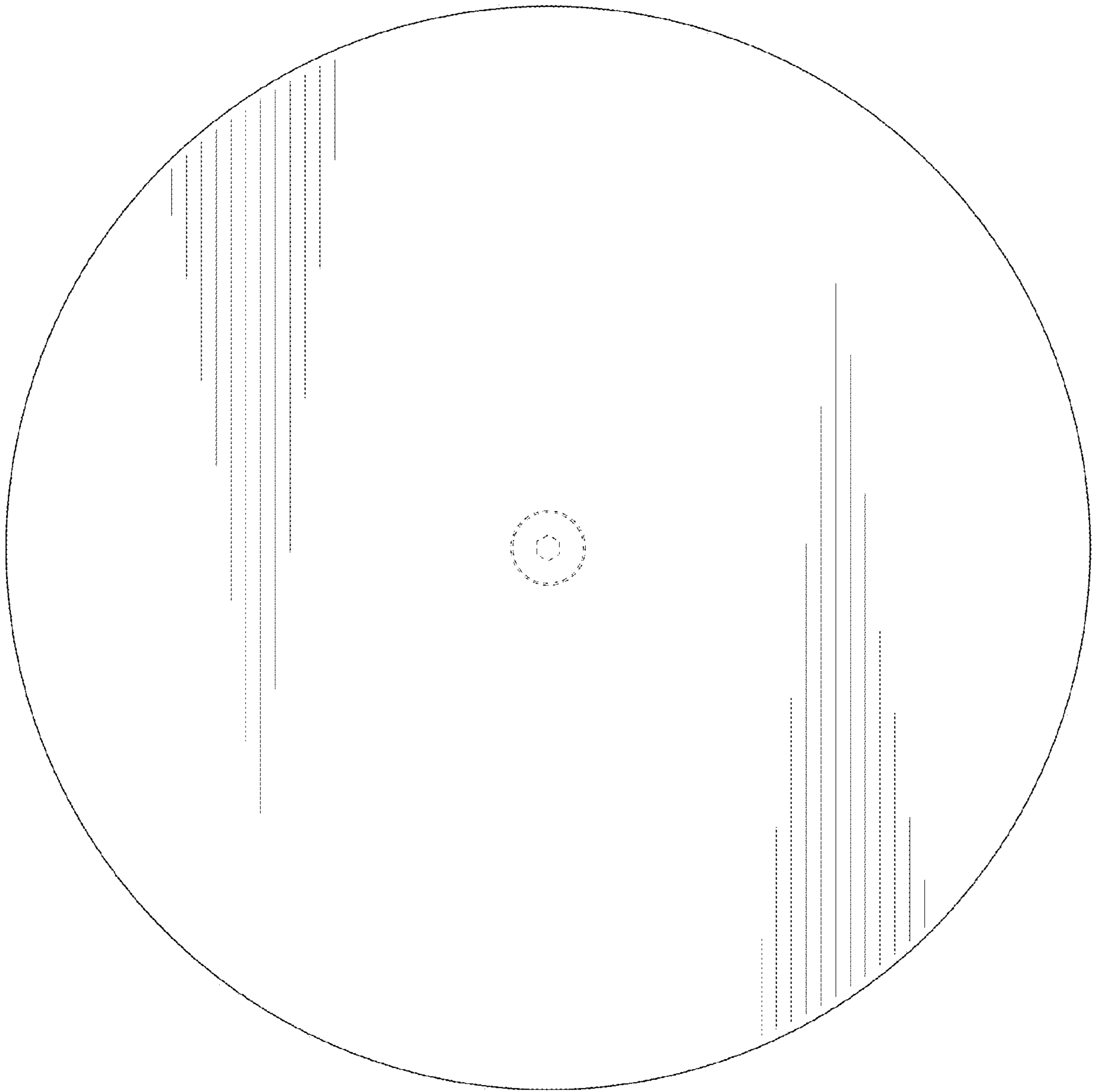


FIG. 8

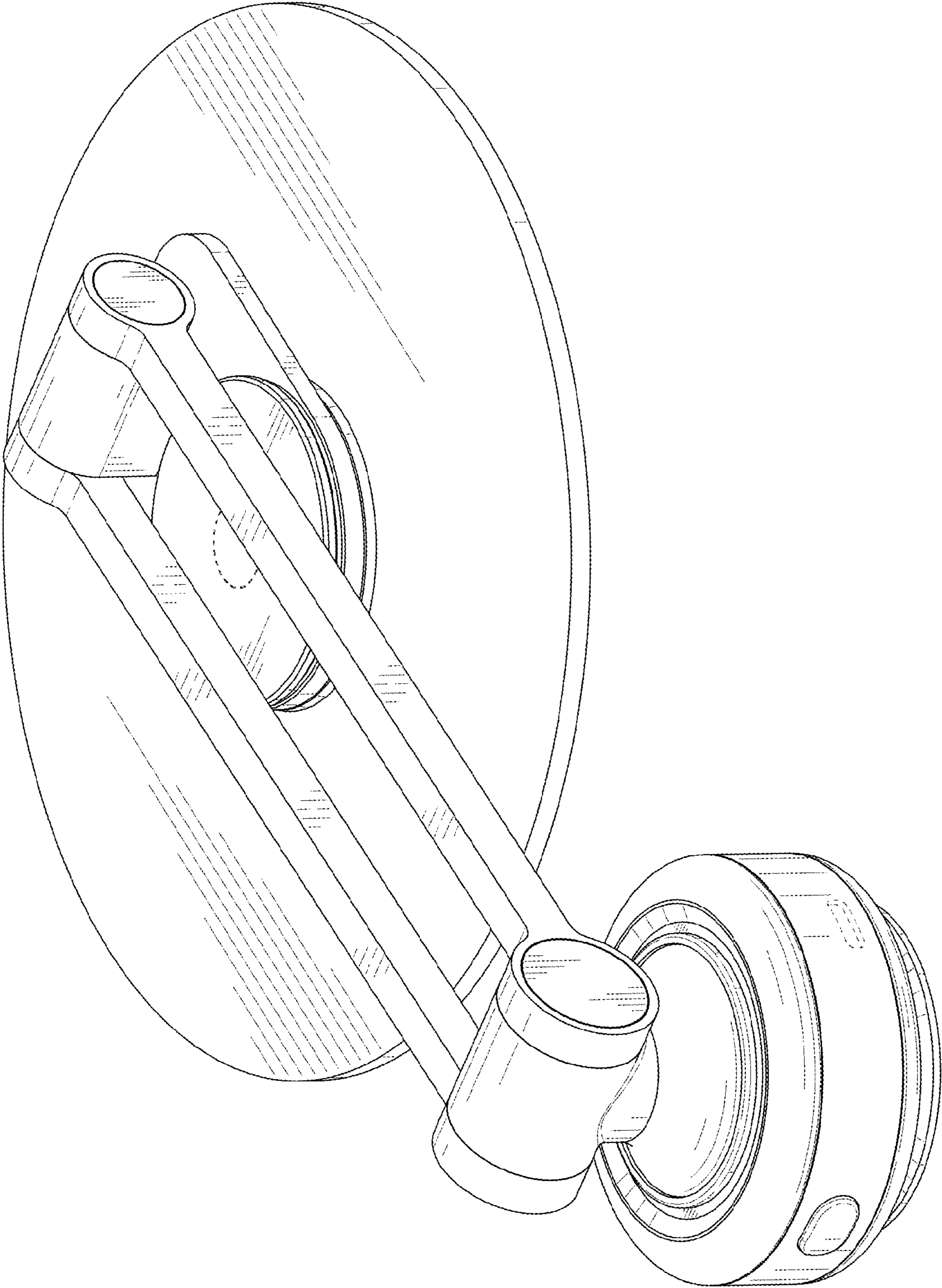


FIG. 9