



US00D980205S

(12) **United States Design Patent**
Zheng et al.

(10) **Patent No.:** **US D980,205 S**
(45) **Date of Patent:** **** Mar. 7, 2023**

- (54) **PHONE CASE**
- (71) Applicant: **Dongguan Lanhai Composite Materials Technology Co., Ltd,**
Dongguan (CN)
- (72) Inventors: **Zhixu Zheng,** Dongguan (CN);
Shenghu Wu, Dongguan (CN);
Shenghai Yu, Dongguan (CN);
Dangzhen Xie, Dongguan (CN)
- (73) Assignee: **Dongguan Lanhai Composite Materials Technology CO., Ltd,**
Dongguan (CN)
- (**) Term: **15 Years**
- (21) Appl. No.: **29/850,258**
- (22) Filed: **Aug. 18, 2022**
- (51) **LOC (14) Cl.** **14-03**
- (52) **U.S. Cl.**
USPC **D14/250**
- (58) **Field of Classification Search**
USPC D14/203.3, 203.4, 203.5, 203.6, 203.7,
D14/447, 251, 252, 253, 217, 240, 238.1,
D14/248, 440, 250, 341, 439; D13/103,
D13/107, 108, 119; D3/201, 218, 247,
D3/249, 269, 273, 301, 303
CPC A45C 11/00; A45C 2011/002; A45C 1/06;
A45C 13/02; A45F 2200/0525; A45F
2005/026; A45F 2200/0516; H04M
1/0283; H04M 1/0202; H04B 1/3888
See application file for complete search history.

- (56) **References Cited**
U.S. PATENT DOCUMENTS
D508,473 S * 8/2005 Lee D14/138 AD
D517,038 S * 3/2006 Lee D14/138 AD
D572,698 S * 7/2008 Kim D14/138 AA

- D895,626 S * 9/2020 Akana D14/439
- D901,480 S * 11/2020 Altschul H04M 1/0279
D14/250
- D905,065 S * 12/2020 Akana D14/439
- D915,386 S * 4/2021 Zhou D14/250
- D918,888 S * 5/2021 Feng D14/250
- D923,616 S * 6/2021 Xie D14/250
- D929,982 S * 9/2021 Tadesse D14/250
- D929,984 S * 9/2021 Wu D14/250
- D938,948 S * 12/2021 Luo D14/250
- D947,166 S * 3/2022 Mi D14/250
- D947,828 S * 4/2022 Bai D14/250
- D952,626 S * 5/2022 Gu D14/250
- D959,418 S 8/2022 Huang
- D960,141 S * 8/2022 Lee D14/250
- D960,892 S * 8/2022 Zhang D14/440
- D963,635 S * 9/2022 Peng D14/250
- D966,252 S * 10/2022 Wu D14/250
- D970,491 S * 11/2022 Peng D14/250
- D973,652 S * 12/2022 Guo D14/250
- D974,345 S * 1/2023 Zeng D14/250

(Continued)

Primary Examiner — Carla J Wright
(74) *Attorney, Agent, or Firm* — Nitin Kaushik

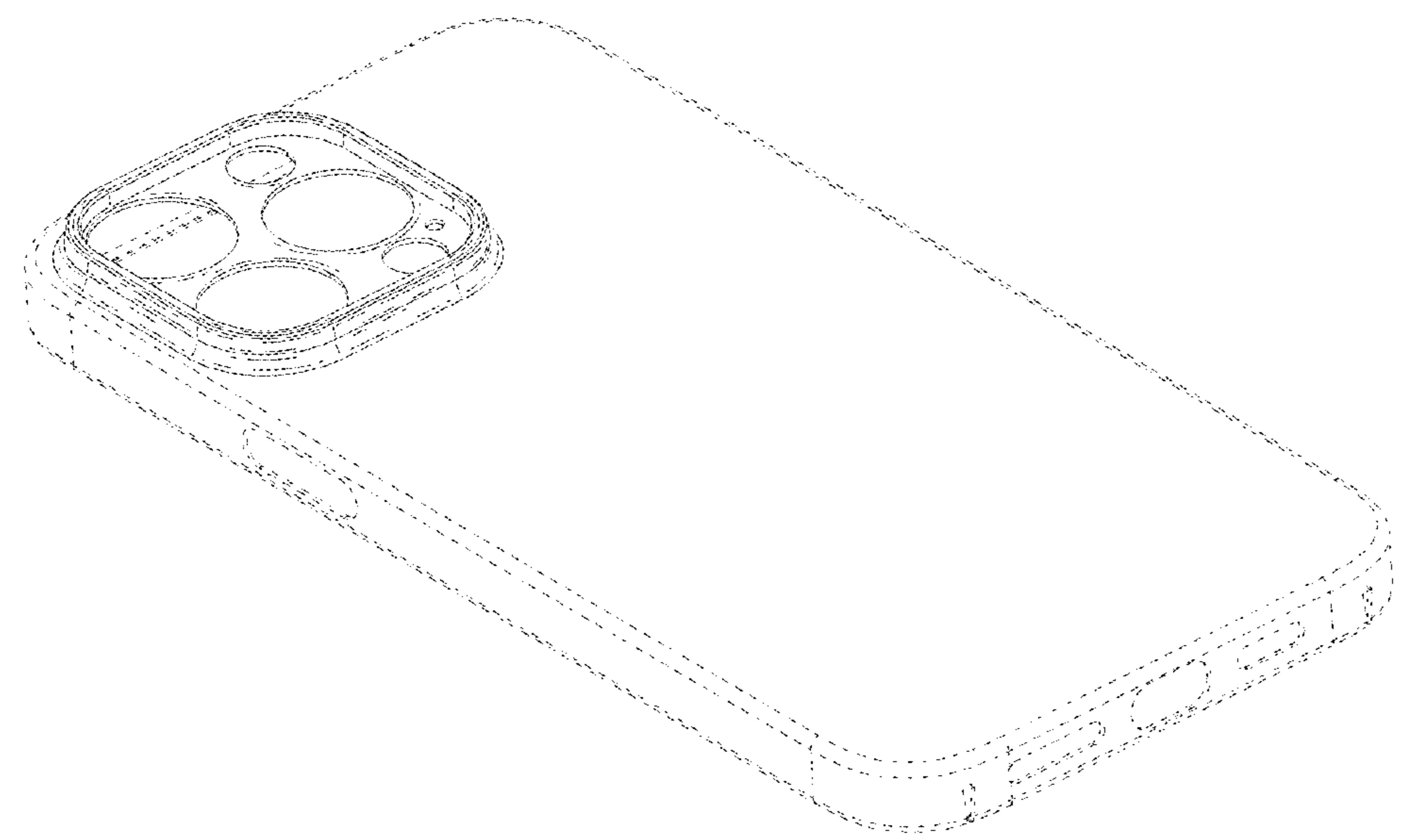
(57) **CLAIM**

The ornamental design for a phone case, as shown and described.

DESCRIPTION

FIG. 1 is a front perspective view of a phone case, showing our new design;
FIG. 2 is a front view thereof;
FIG. 3 is a rear view thereof;
FIG. 4 is a right side view thereof;
FIG. 5 is a left side view thereof;
FIG. 6 is a top view thereof;
FIG. 7 is a bottom view thereof; and,
FIG. 8 is a rear perspective view thereof.
The broken lines in the drawings illustrate the portions of the phone case, which form no part of the claimed design.

1 Claim, 8 Drawing Sheets



(56)

References Cited

U.S. PATENT DOCUMENTS

2021/0028809 A1* 1/2021 Altschul H04B 1/3888
2021/0234569 A1* 7/2021 Soderstrom H04B 1/3888
2021/0298438 A1* 9/2021 Beeler A45C 11/00

* cited by examiner

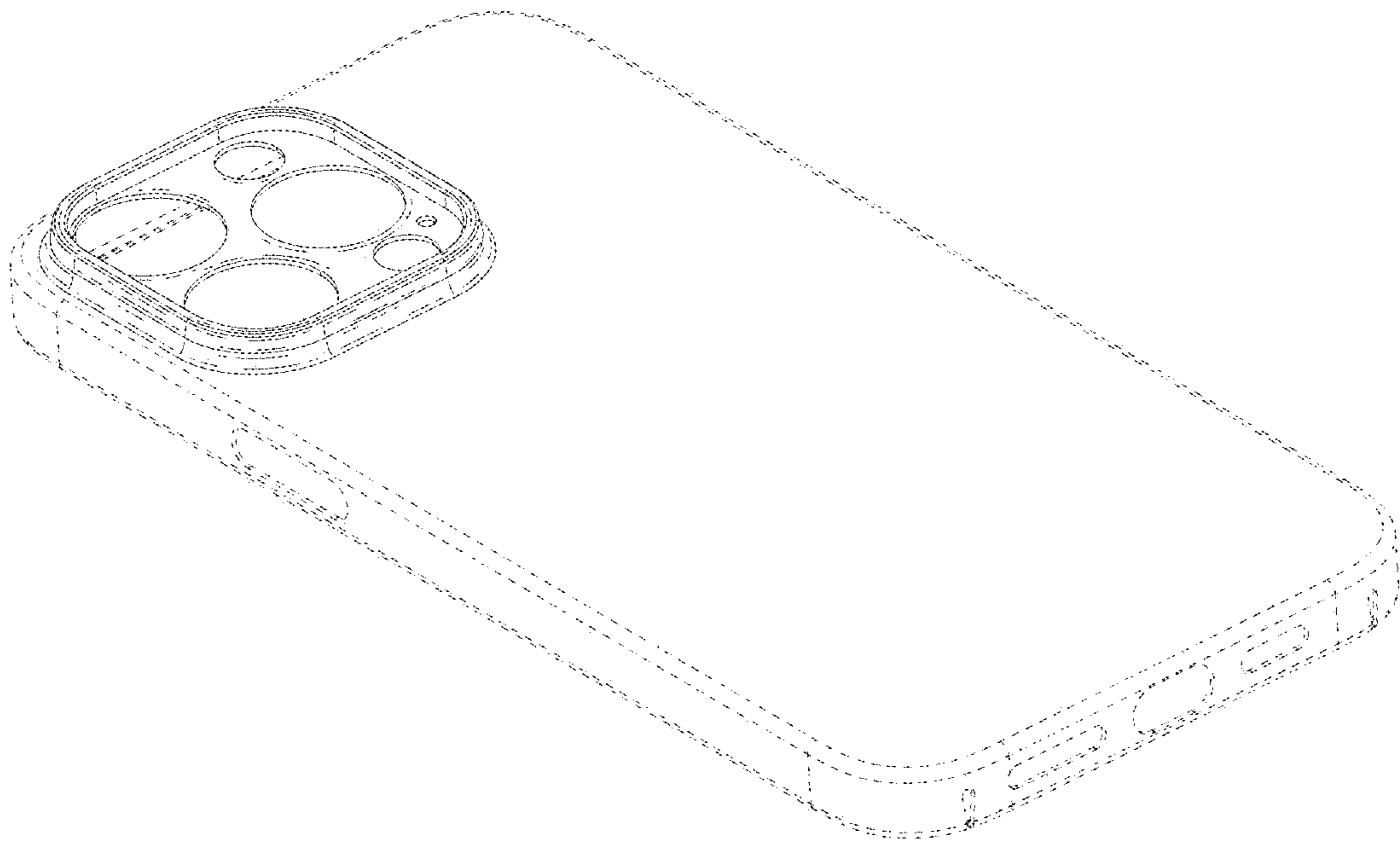


FIG. 1

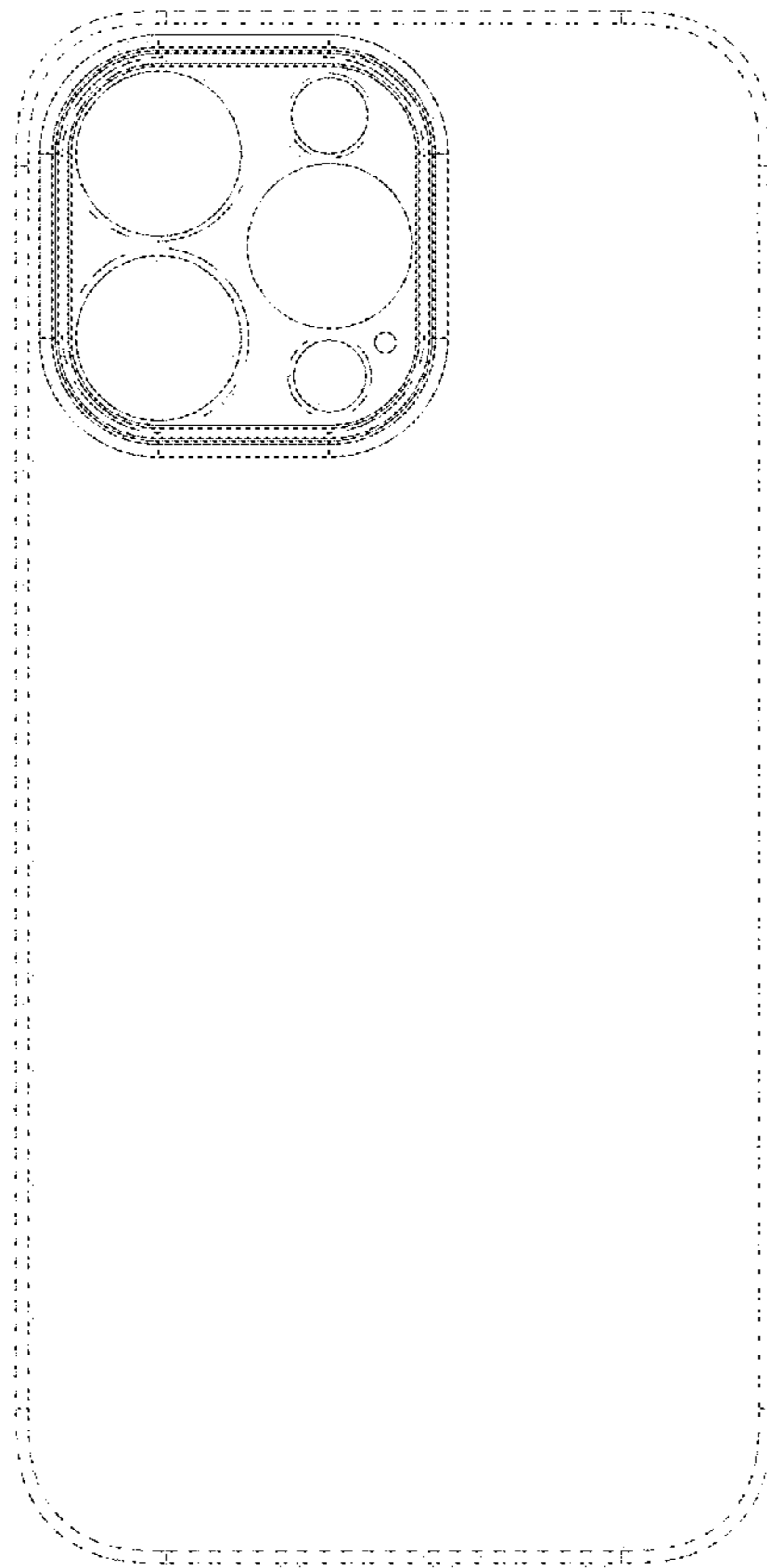


FIG. 2

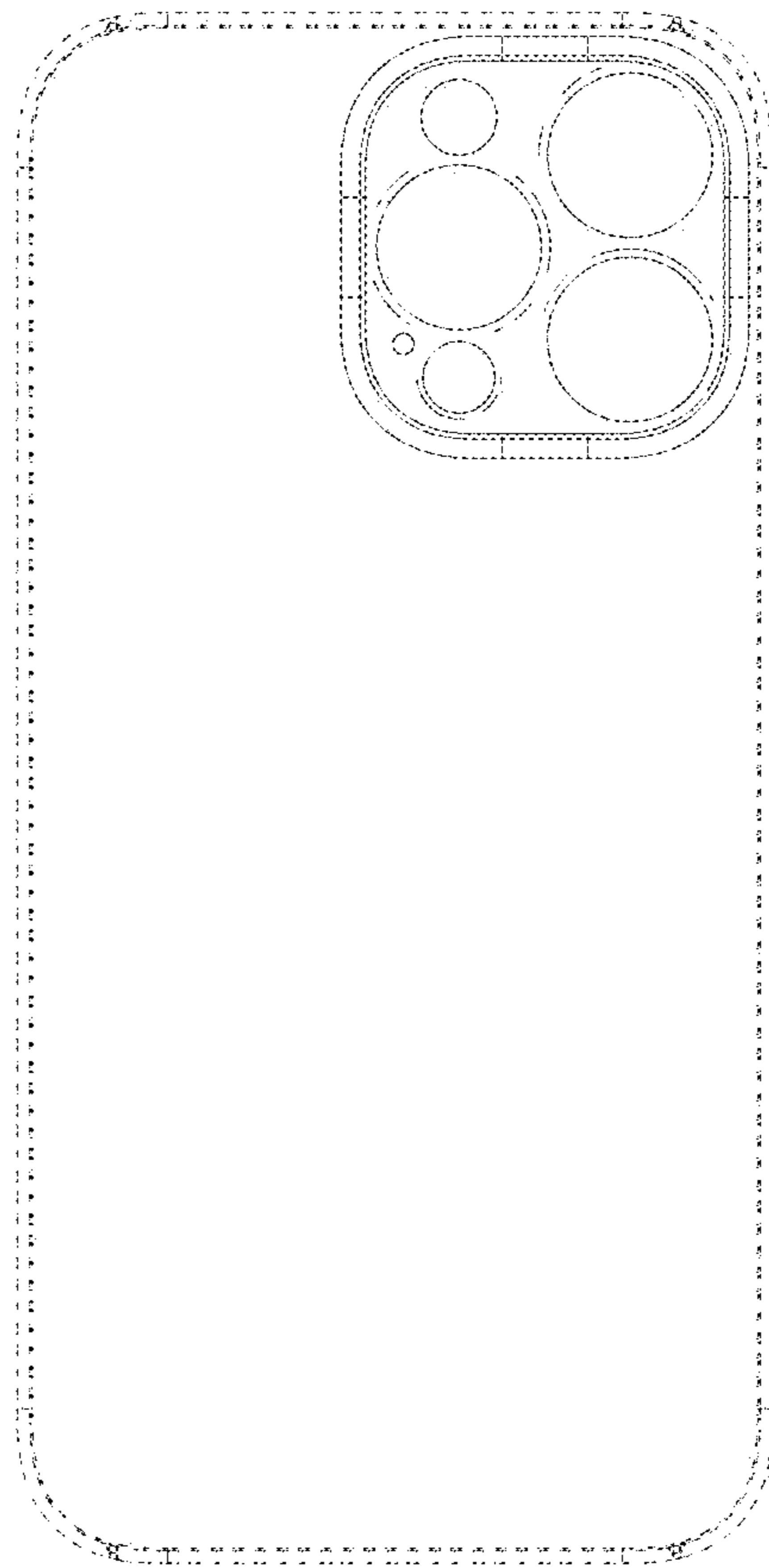


FIG. 3

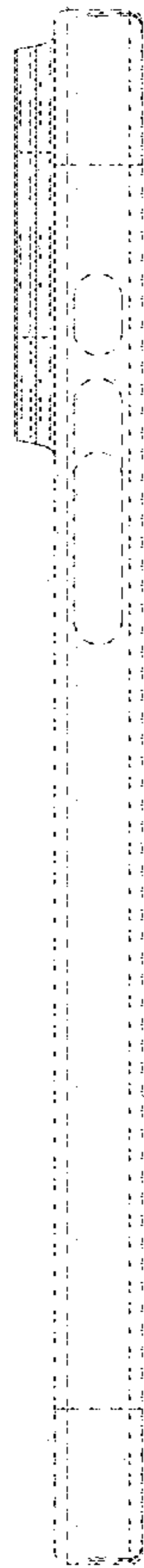


FIG. 4

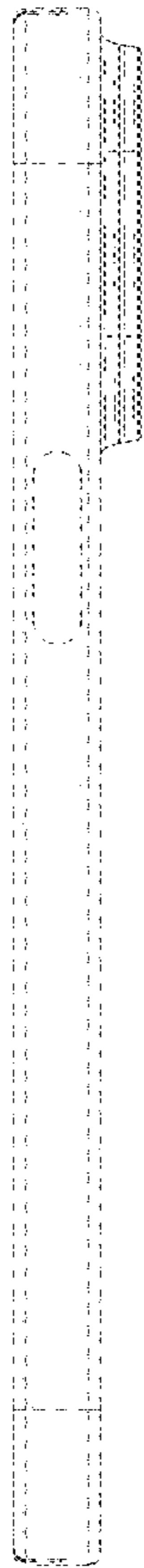


FIG. 5

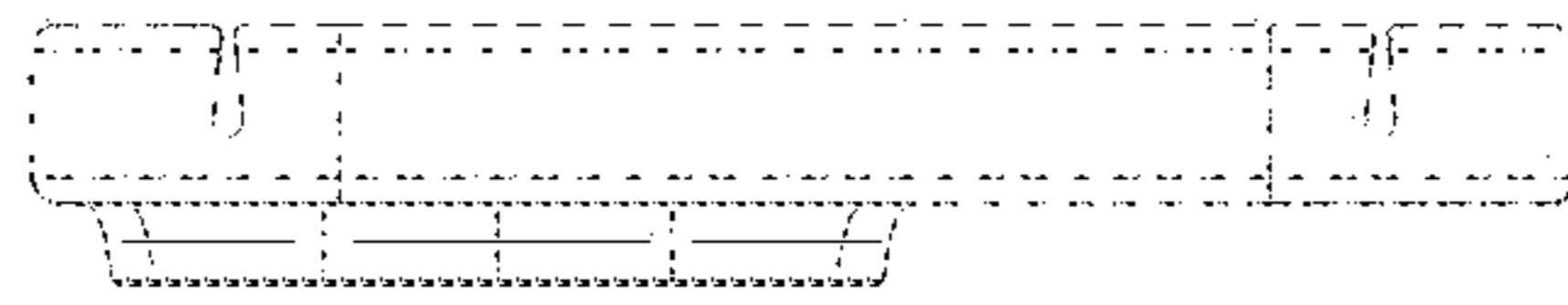


FIG. 6



FIG. 7

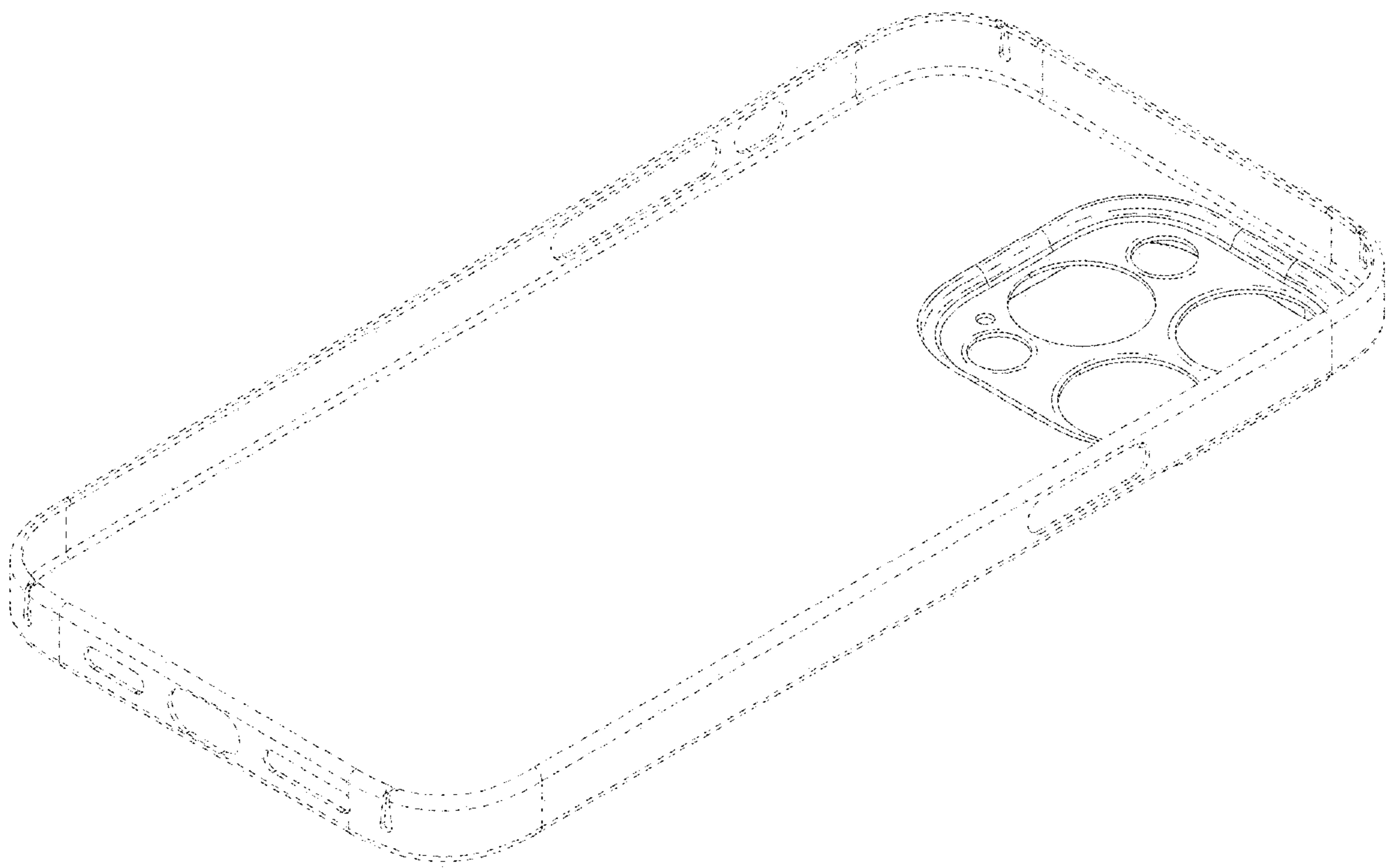


FIG. 8